



US00D519495S

(12) **United States Design Patent**  
**Lum**

(10) **Patent No.:** **US D519,495 S**

(45) **Date of Patent:** **\*\* Apr. 25, 2006**

(54) **LOUDSPEAKER COVER**

(75) Inventor: **Myk Wayne Lum**, Irvine, CA (US)

(73) Assignee: **Harman International Industries, Incorporated**, Northridge, CA (US)

(\*\*) Term: **14 Years**

(21) Appl. No.: **29/212,659**

(22) Filed: **Oct. 25, 2004**

(51) **LOC (8) Cl.** ..... **14-01**

(52) **U.S. Cl.** ..... **D14/221**

(58) **Field of Classification Search** ..... D14/204,  
D14/207, 215–216, 219–221, 356; 181/143–144,  
181/147–148, 150, 157, 198–199, 151, 153;  
381/300–302, 306, 333, 345, 361–364, 386–388,  
381/332, 336, 186

See application file for complete search history.

(56) **References Cited**

**U.S. PATENT DOCUMENTS**

D244,781 S	*	6/1977	Saidel	.....	D14/219
D285,303 S	*	8/1986	van de Ven	.....	D14/215
D291,079 S	*	7/1987	Ohtsuji	.....	D14/215
4,965,837 A	*	10/1990	Murayama et al.	.....	381/186
D326,456 S	*	5/1992	Hahn	.....	D14/219
D356,089 S	*	3/1995	Hedaya	.....	D14/219

\* cited by examiner

*Primary Examiner*—Nanda Bondade

(74) *Attorney, Agent, or Firm*—Plumsea Law Group, LLC

(57) **CLAIM**

The ornamental design for a loudspeaker cover, as shown and described.

**DESCRIPTION**

FIG. 1 is a perspective view of a loudspeaker cover showing a first embodiment of my new design;

FIG. 2 is a front elevational view thereof;

FIG. 3 is a side elevational view of one side thereof, the opposite side elevational view being a mirror image;

FIG. 4 is a top plan view thereof;

FIG. 5 is a bottom plan view thereof;

FIG. 6 is a cross-sectional view taken along line 6—6 of FIG. 2;

FIG. 7 is a perspective view of a loudspeaker cover showing a second embodiment of my new design;

FIG. 8 is a front elevational view thereof;

FIG. 9 is a side elevational view of one side thereof, the opposite side elevational view being a mirror image;

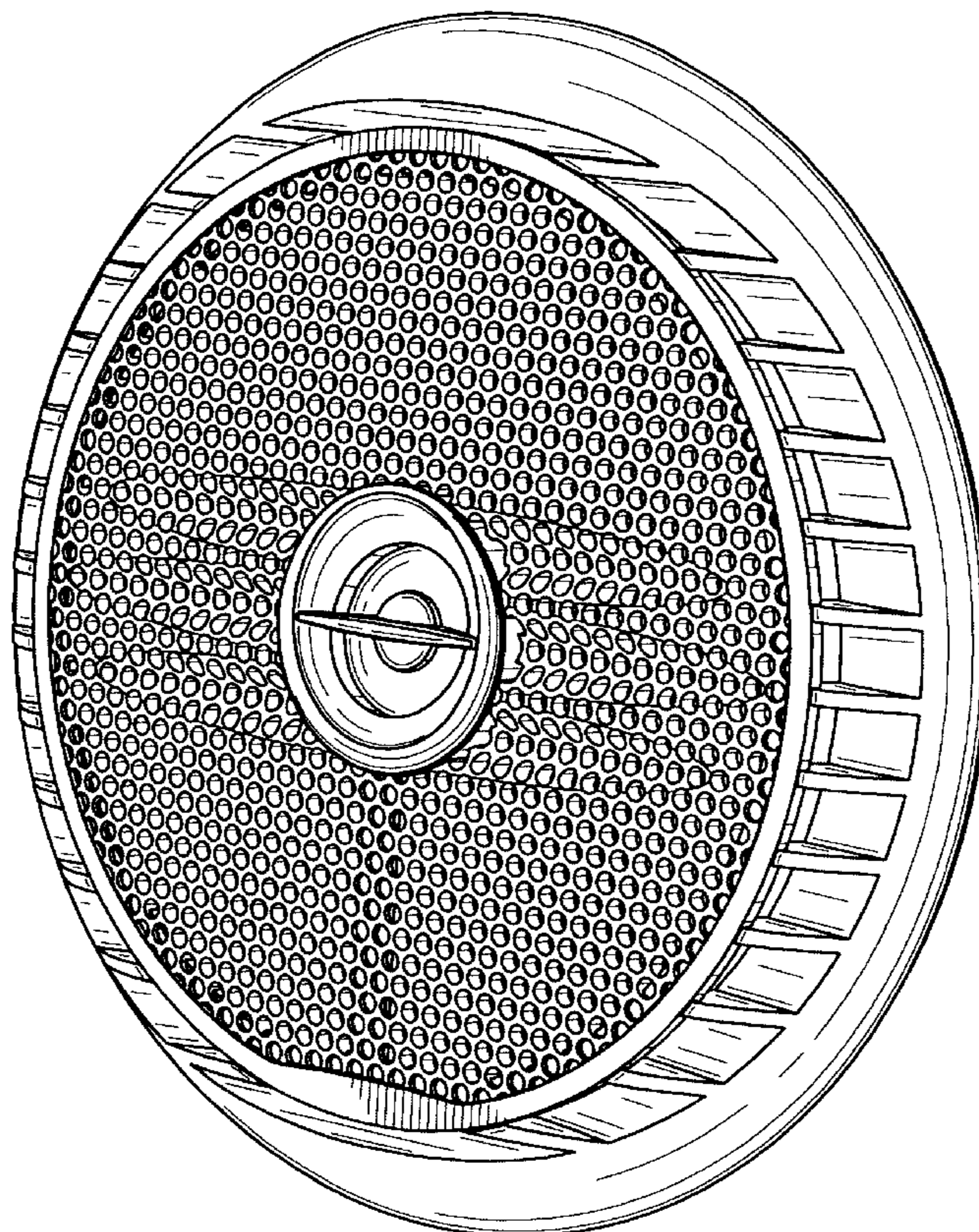
FIG. 10 is a top plan view thereof;

FIG. 11 is a bottom plan view thereof; and,

FIG. 12 is a cross-sectional view taken along line 12—12 of FIG. 8.

The rear of the loudspeaker cover is not illustrated and forms no part of the claimed design.

**1 Claim, 8 Drawing Sheets**



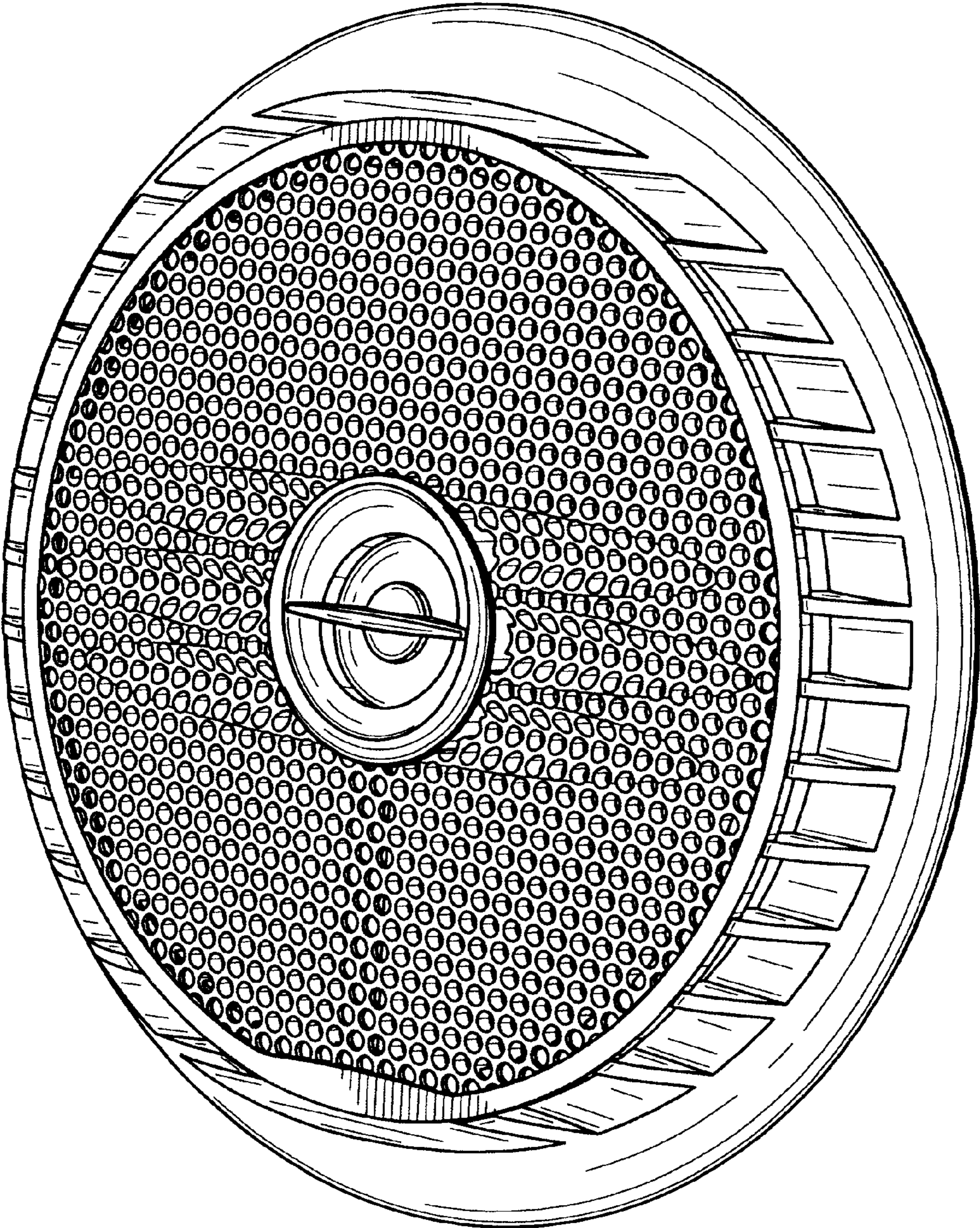
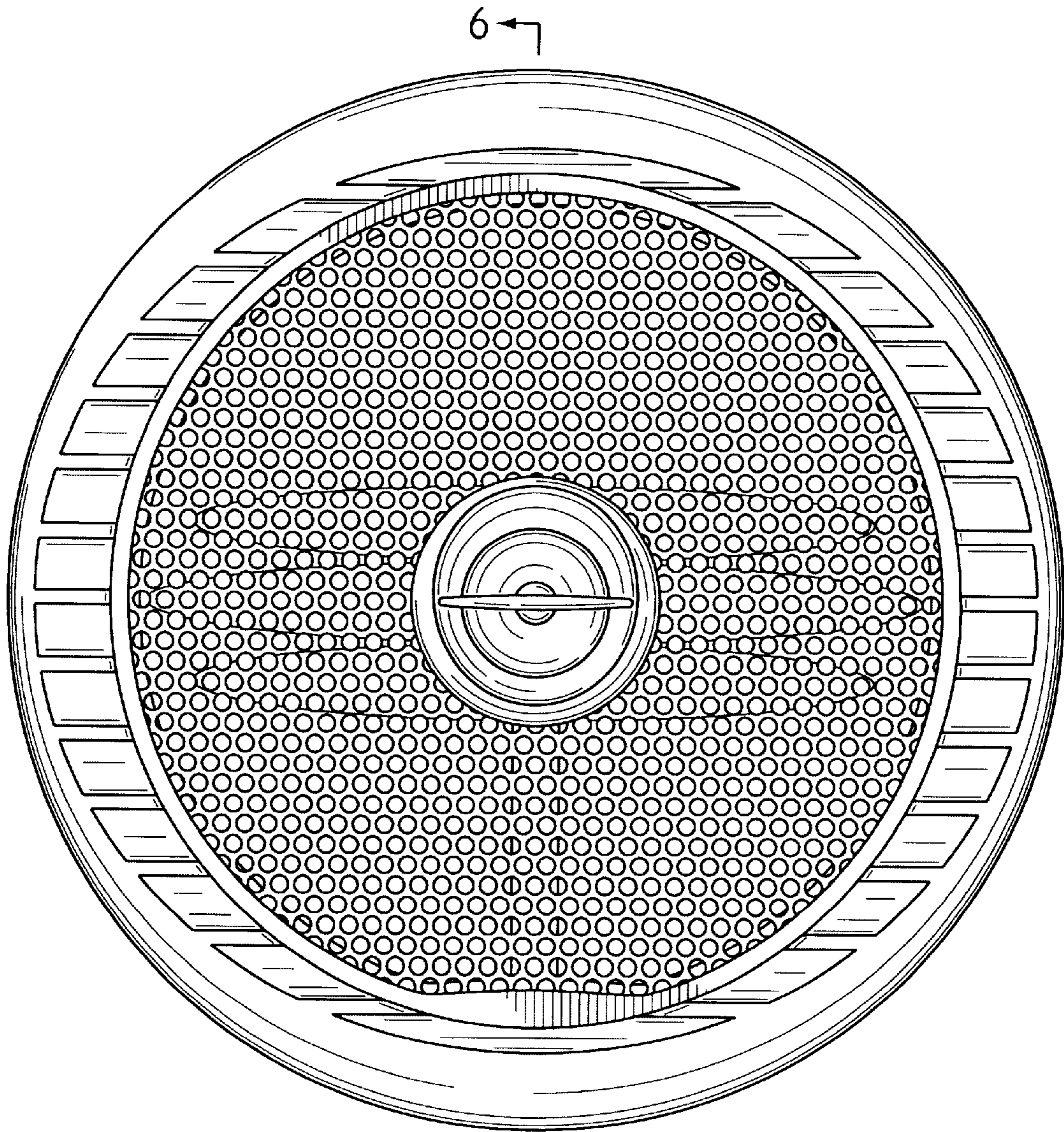


FIG. 1



6 ←

FIG. 2

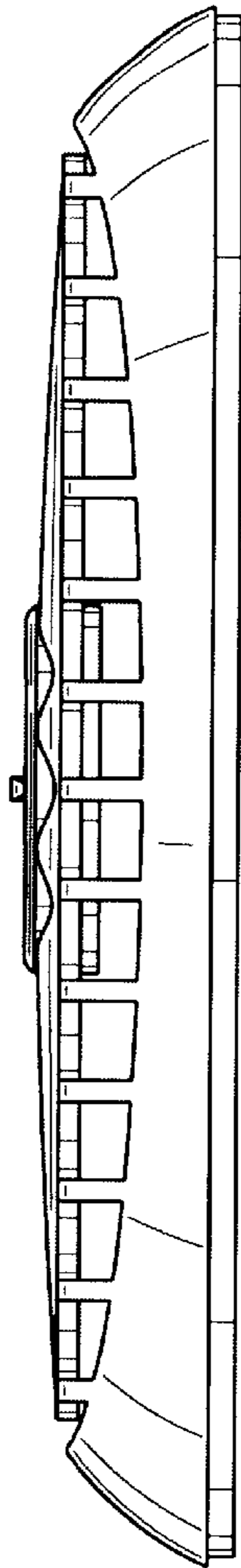


FIG. 3

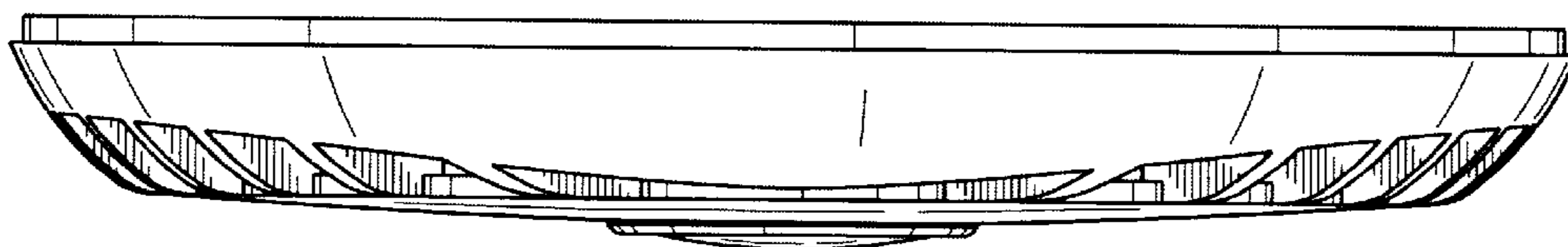


FIG. 4

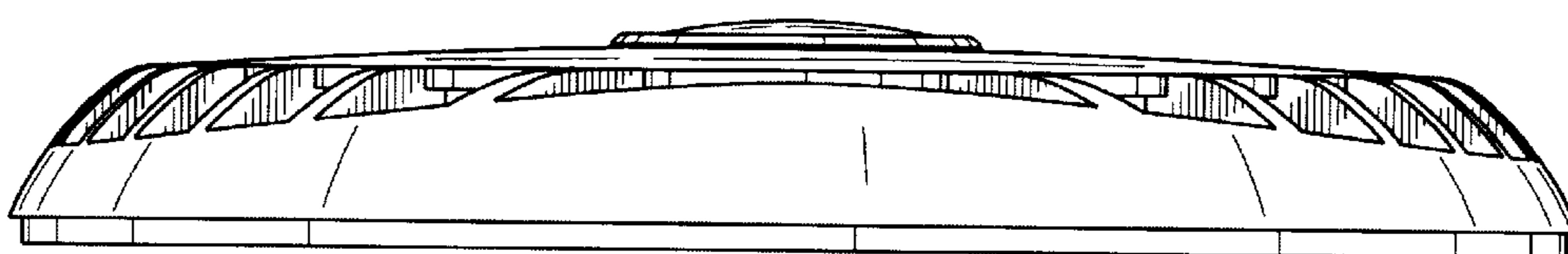


FIG. 5

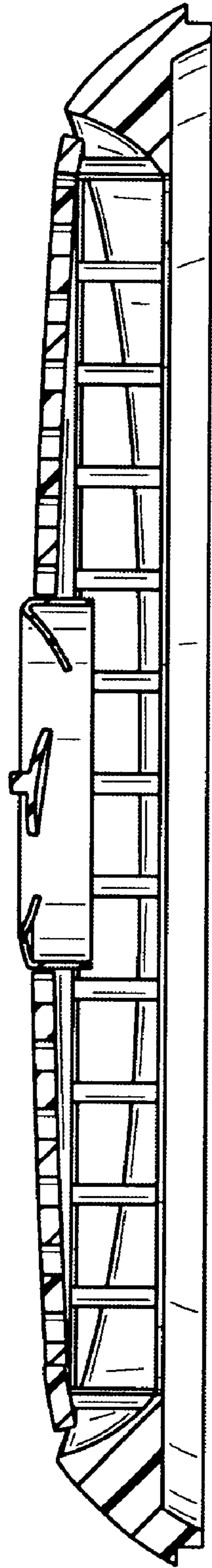


FIG. 6

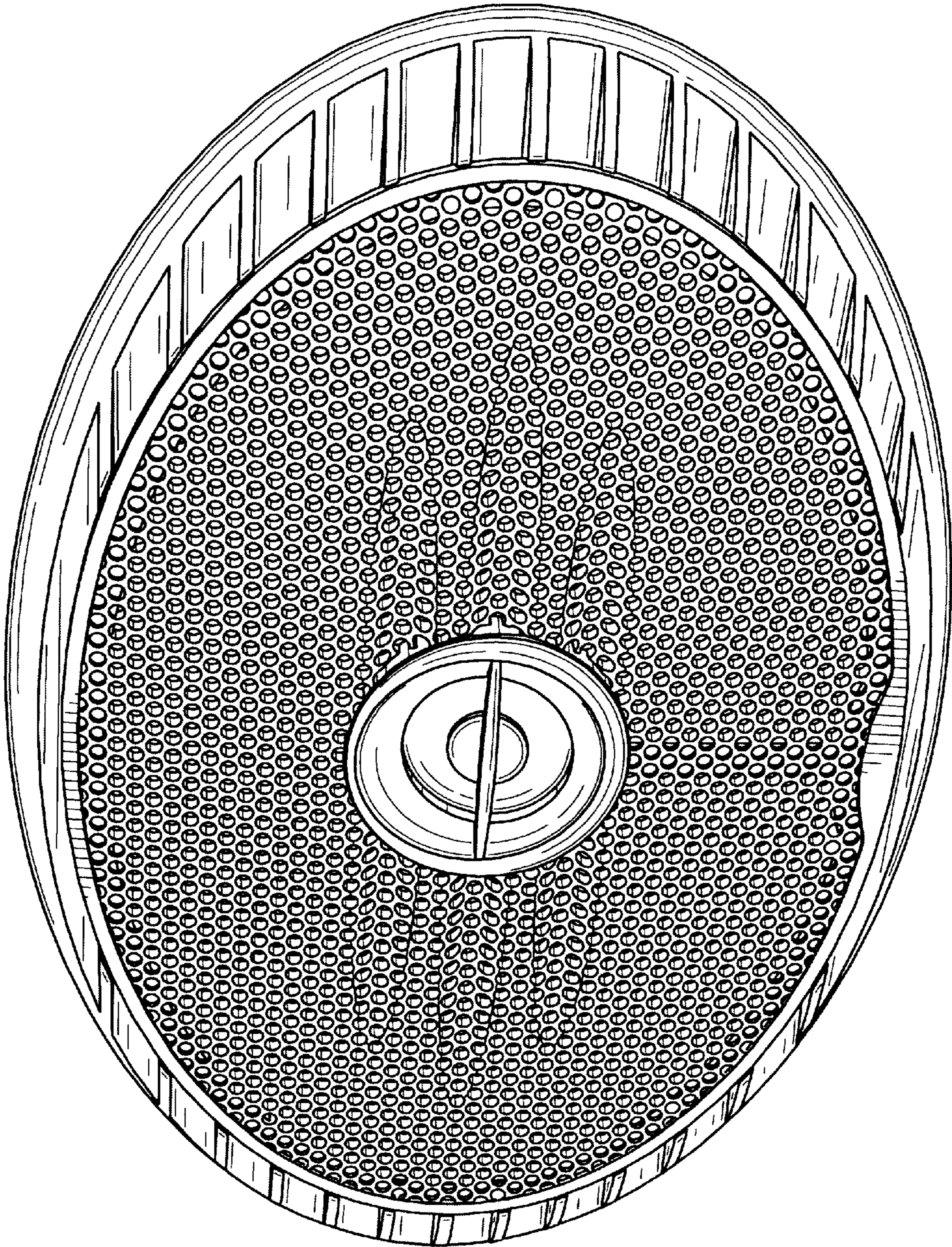


FIG. 7

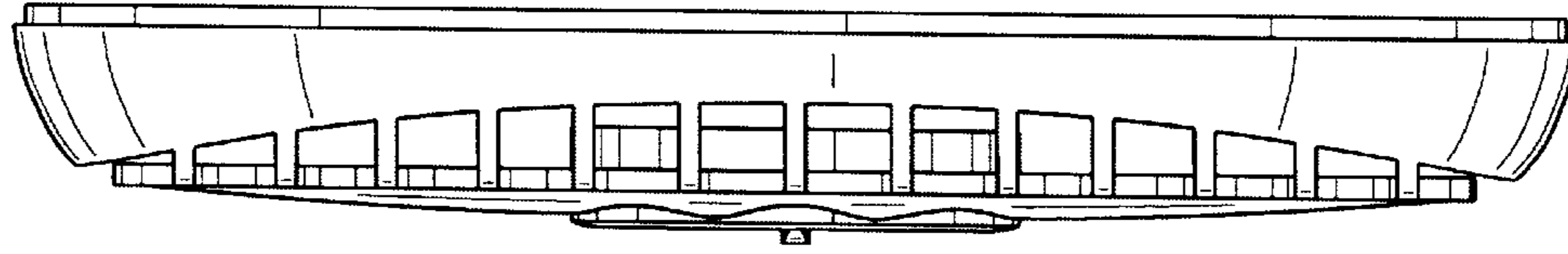
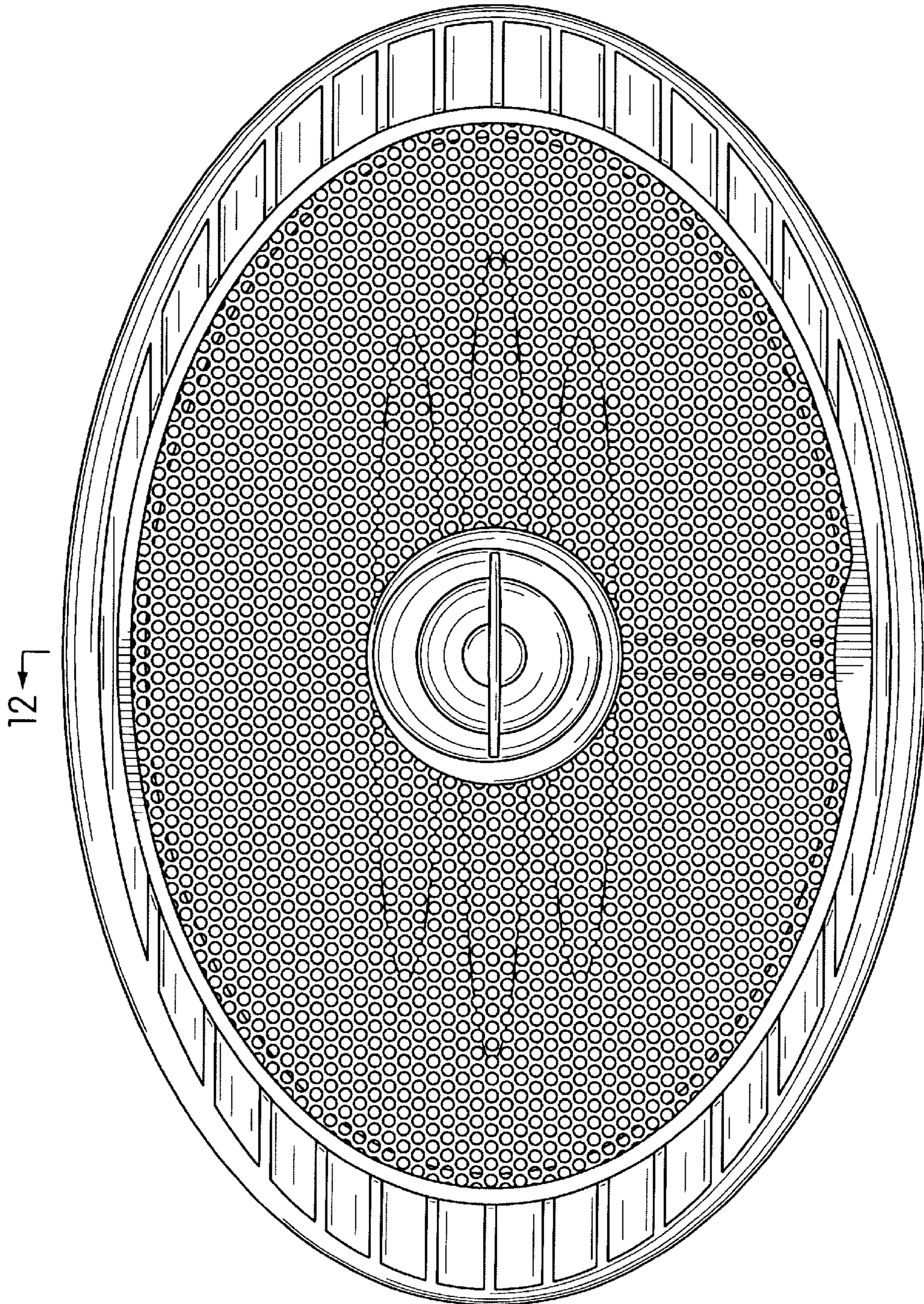


FIG. 9



12 ← FIG. 8

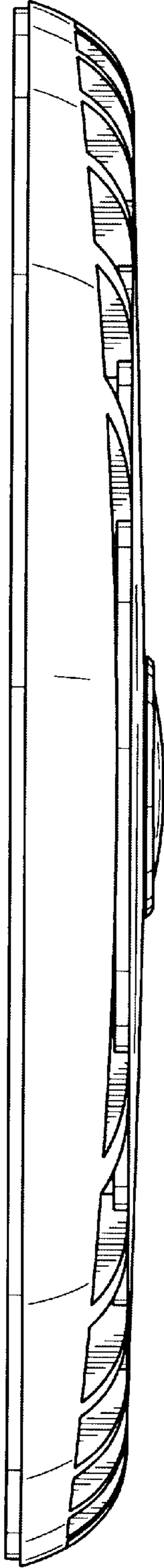


FIG. 10

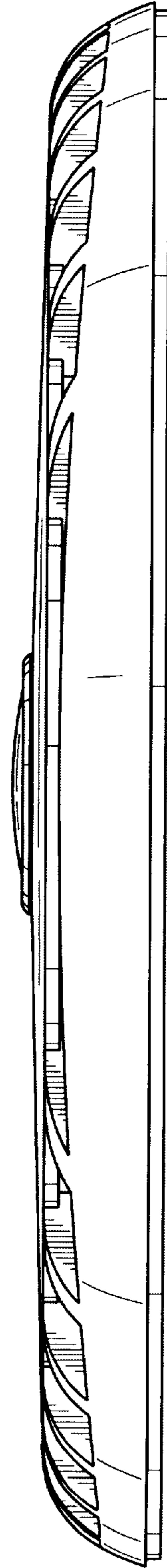


FIG. 11



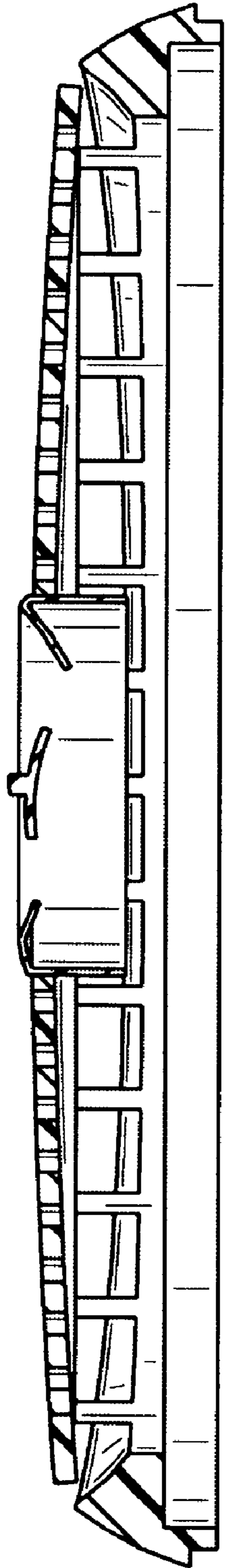


FIG. 12