



US00D519492S

(12) **United States Design Patent**
Masui

(10) **Patent No.:** **US D519,492 S**

(45) **Date of Patent:** **** Apr. 25, 2006**

(54) **SPEAKER**

D417,874 S 12/1999 Suzuki
D435,539 S * 12/2000 Tsuge D14/214

(75) Inventor: **Kirio Masui**, Tokyo (JP)

OTHER PUBLICATIONS

(73) Assignee: **Sony Corporation**, Tokyo (JP)

Web page "MHC-GN880" <http://www.sony.com.mx/gn880/>, 1 sheet, Sony (Nov. 2004).

(**) Term: **14 Years**

* cited by examiner

(21) Appl. No.: **29/221,233**

Primary Examiner—Nanda Bondade

(22) Filed: **Jan. 14, 2005**

(74) *Attorney, Agent, or Firm*—Rader, Fishman & Grauer PLLC

(51) **LOC (8) Cl.** **14-01**

(52) **U.S. Cl.** **D14/214**

(58) **Field of Classification Search** D14/204,
D14/207, 209–216, 356; 181/143–144, 147–148,
181/150, 157, 198–199, 151, 153; 381/300–302,
381/306, 333, 345, 361–364, 386–388, 332,
381/336

See application file for complete search history.

(57) **CLAIM**

The ornamental design for a speaker, as shown.

(56) **References Cited**

U.S. PATENT DOCUMENTS

- D382,564 S 8/1997 Shiono
- D384,668 S 10/1997 Yoneda
- D392,974 S * 3/1998 Fenner et al. D14/214
- D416,906 S * 11/1999 Miyazaki D14/214

DESCRIPTION

FIG. 1 is a perspective view of a speaker showing my new design;
FIG. 2 is a front elevational view thereof;
FIG. 3 is a rear elevational view thereof;
FIG. 4 is a left side elevational view thereof;
FIG. 5 is a right side elevational view thereof;
FIG. 6 is a top plan view thereof; and,
FIG. 7 is a bottom plan view thereof.

1 Claim, 4 Drawing Sheets

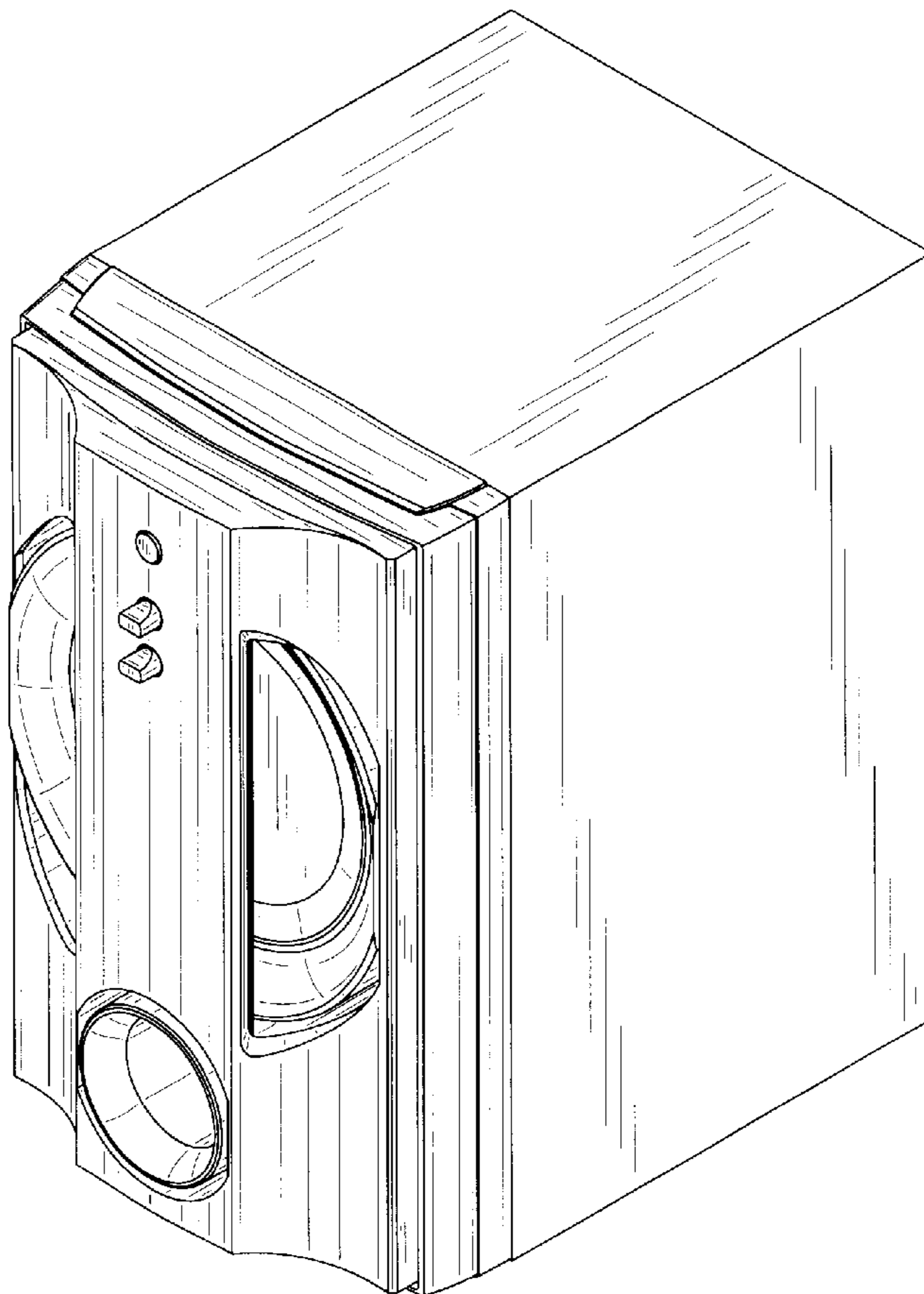


FIG. 1

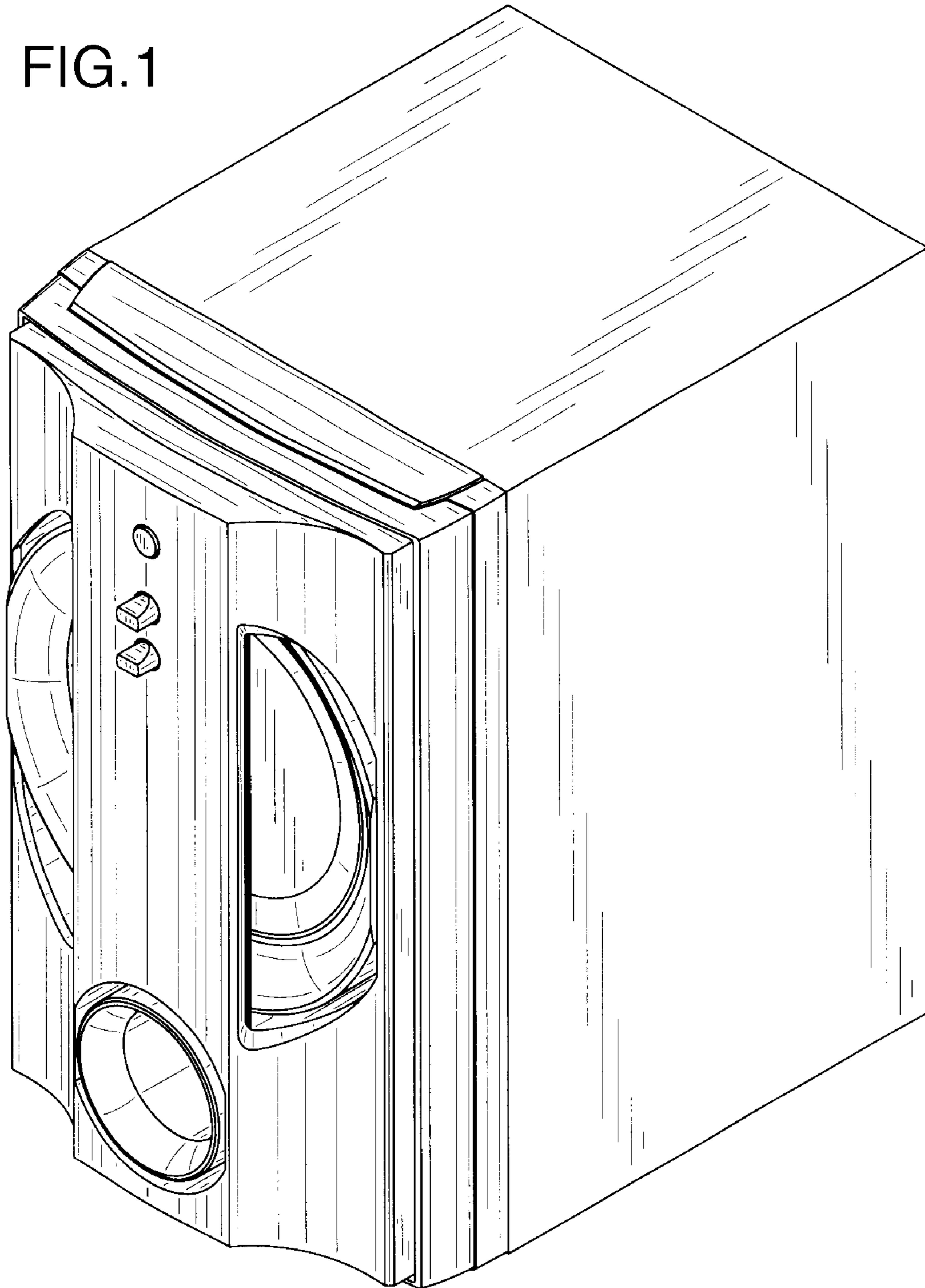


FIG.2

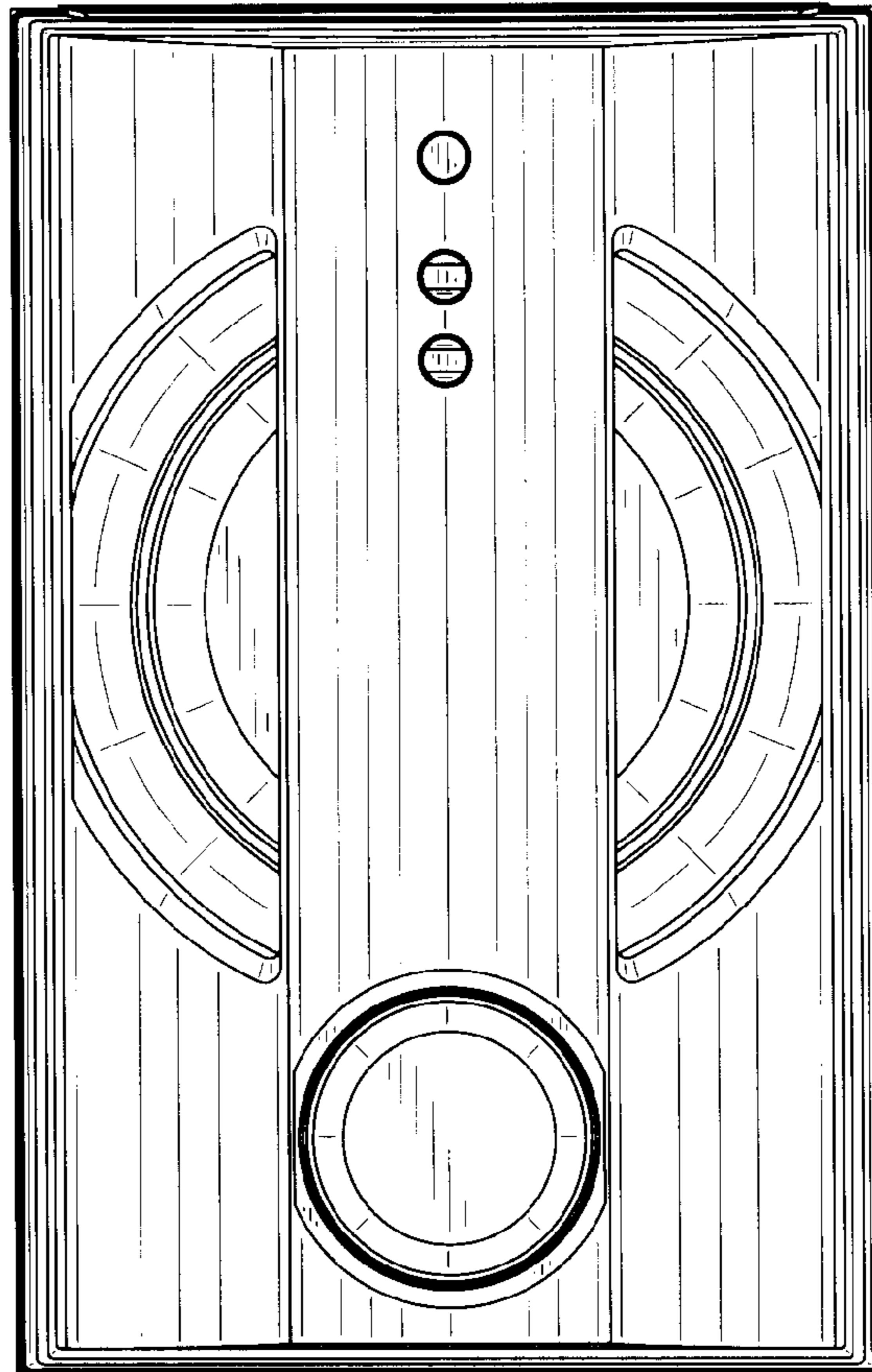


FIG.3

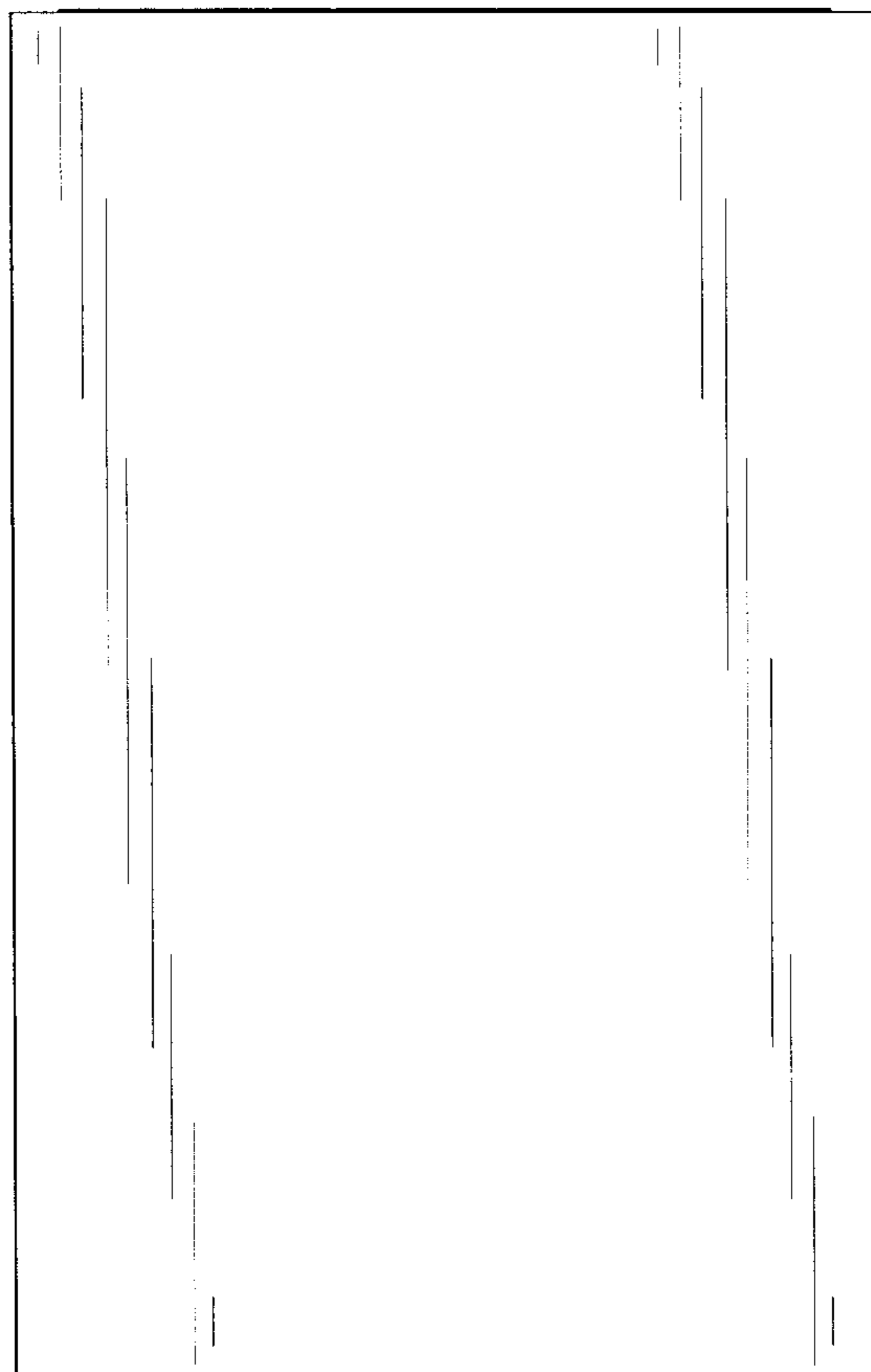


FIG.4

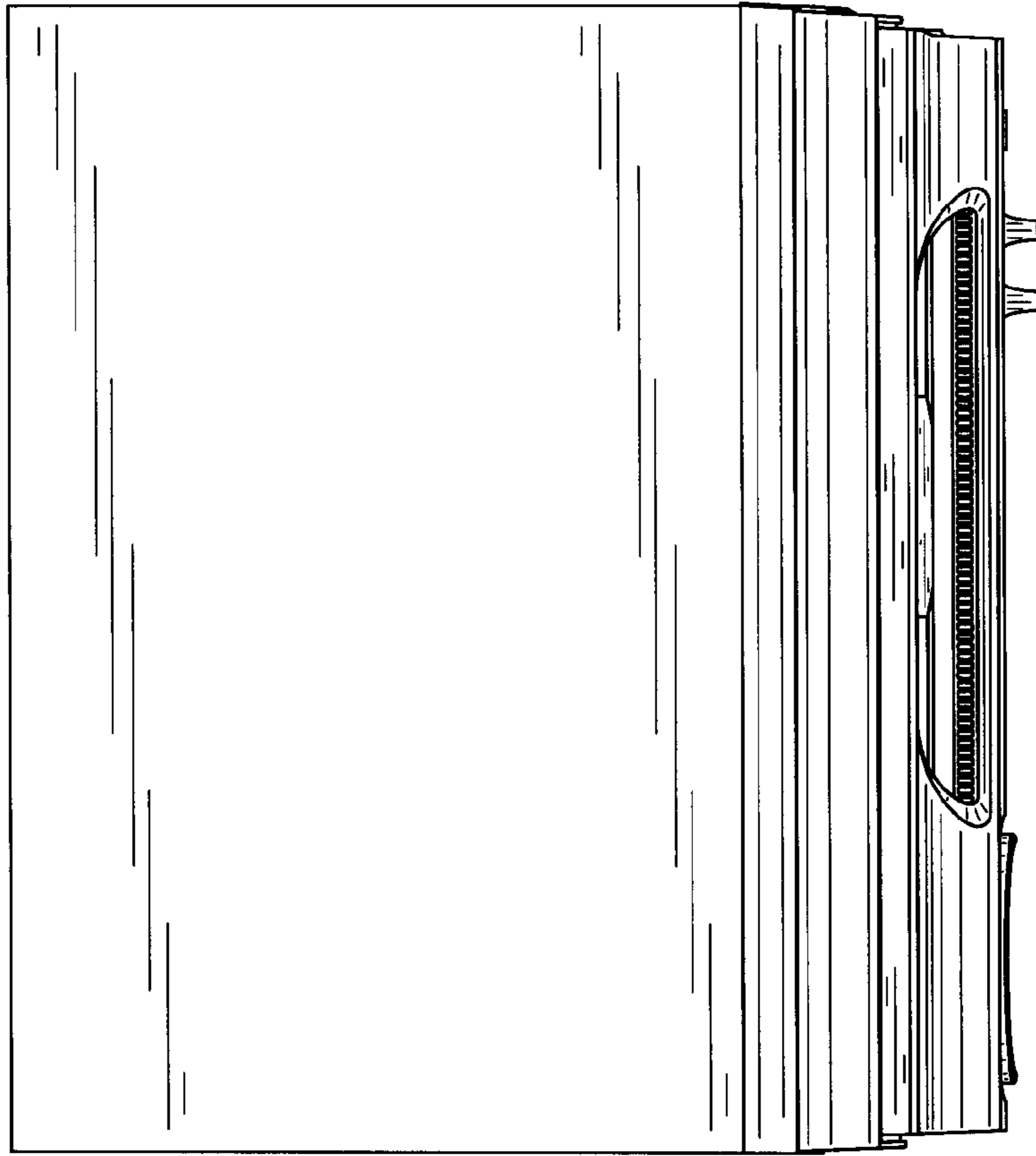


FIG.5

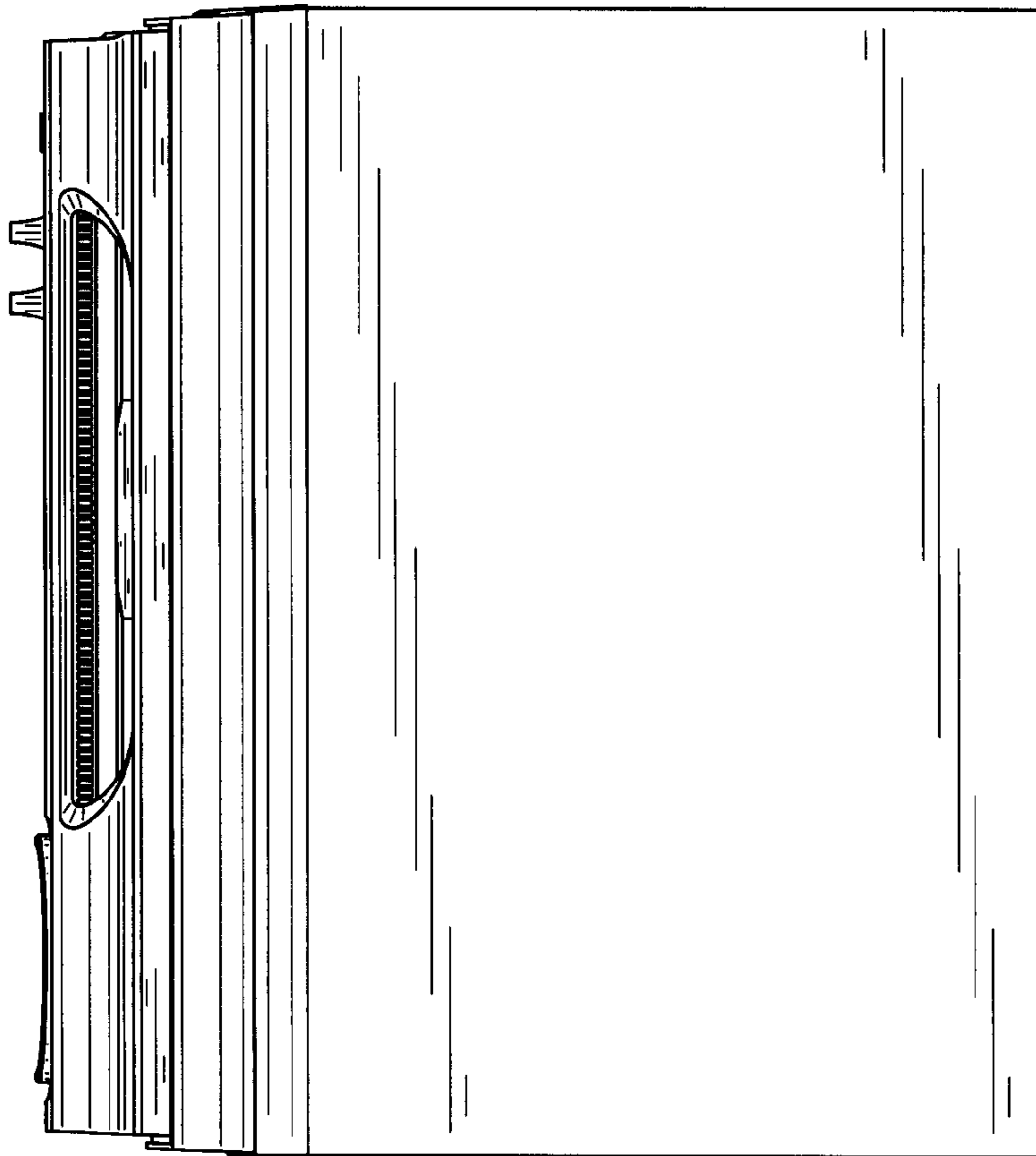


FIG.6

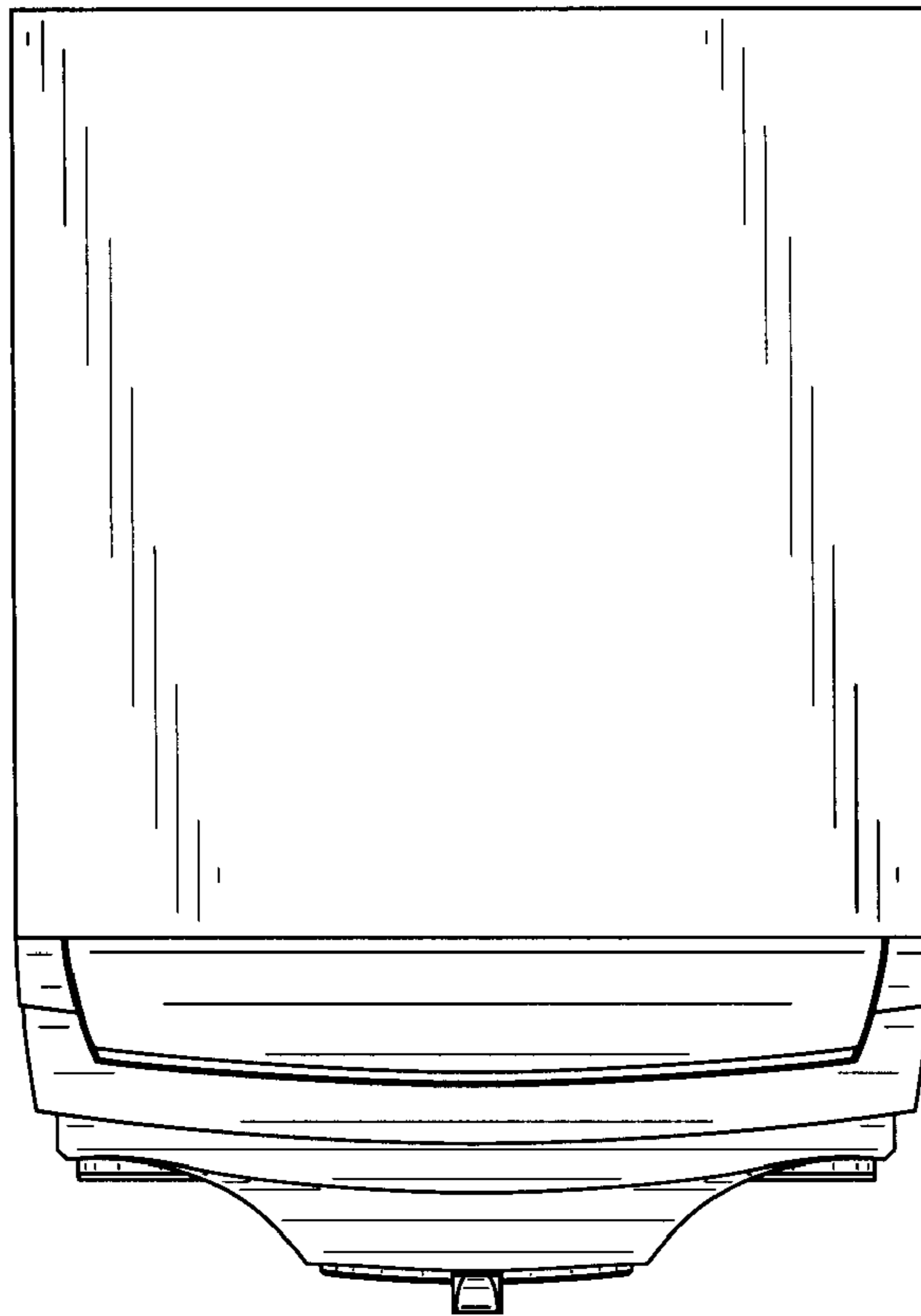


FIG.7

