



US00D519491S

(12) **United States Design Patent**  
**Allen**

(10) **Patent No.:** **US D519,491 S**  
(45) **Date of Patent:** **\*\* Apr. 25, 2006**

(54) **LOUDSPEAKER**

(75) Inventor: **Graham David Allen**, Alderley Edge  
(GB)

(73) Assignee: **GP Acoustics (U.K.) Ltd.**, Crawley  
(GB)

(\*\*) Term: **14 Years**

(21) Appl. No.: **29/216,194**

(22) Filed: **Oct. 28, 2004**

(30) **Foreign Application Priority Data**

Apr. 29, 2004 (GB) ..... 3017140

(51) **LOC (8) Cl.** ..... **14-01**

(52) **U.S. Cl.** ..... **D14/212; D14/216**

(58) **Field of Classification Search** ..... D14/204,  
D14/207, 209-216, 356; 181/143-144, 147-148,  
181/150, 157, 198-199, 151, 153; 381/300-302,  
381/306, 333, 345, 361-364, 386-388, 332,  
381/336

See application file for complete search history.

(56) **References Cited**

**U.S. PATENT DOCUMENTS**

D223,580 S \* 5/1972 Richards ..... D14/215

4,334,211 A \* 6/1982 McConnell et al. .... 181/143  
4,756,382 A \* 7/1988 Hudson, III ..... 181/156  
D475,695 S \* 6/2003 Petronio ..... D14/216  
D496,351 S \* 9/2004 Allen ..... D14/211

\* cited by examiner

*Primary Examiner*—Nanda Bondade  
(74) *Attorney, Agent, or Firm*—Kenneth L. Sherman, Esq.;  
Myers Dawes Andres & Sherman, LLP

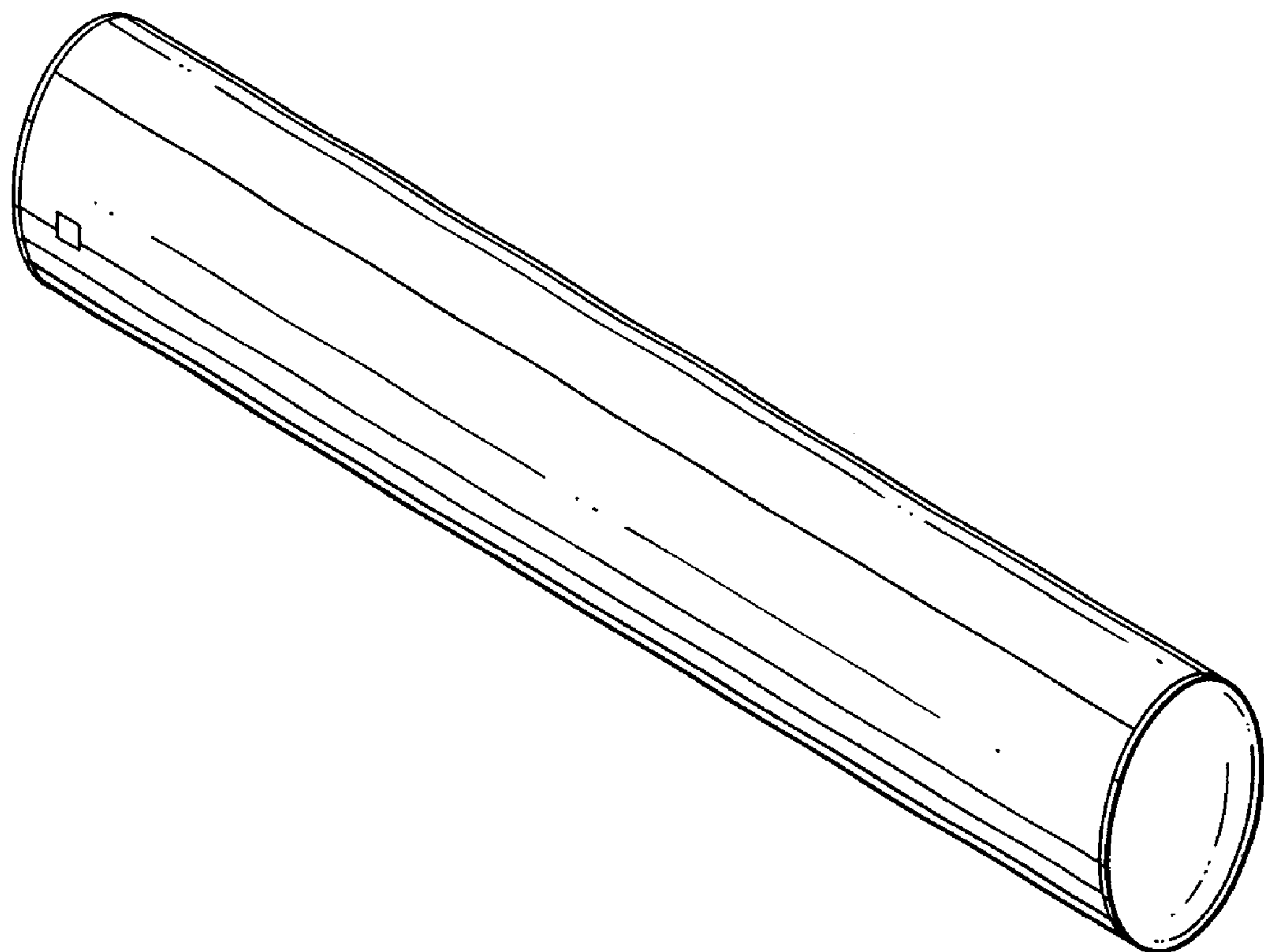
(57) **CLAIM**

I claim the ornamental design for a loudspeaker, substantially as shown and described.

**DESCRIPTION**

FIG. 1 is a front isometric view of a loudspeaker showing my new design;  
FIG. 2 is front elevational view thereof;  
FIG. 3 is a top plan view thereof;  
FIG. 4 is a bottom plan view thereof;  
FIG. 5 is a left side elevational view thereof; and,  
FIG. 6 is a right side elevational view thereof.

**1 Claim, 2 Drawing Sheets**



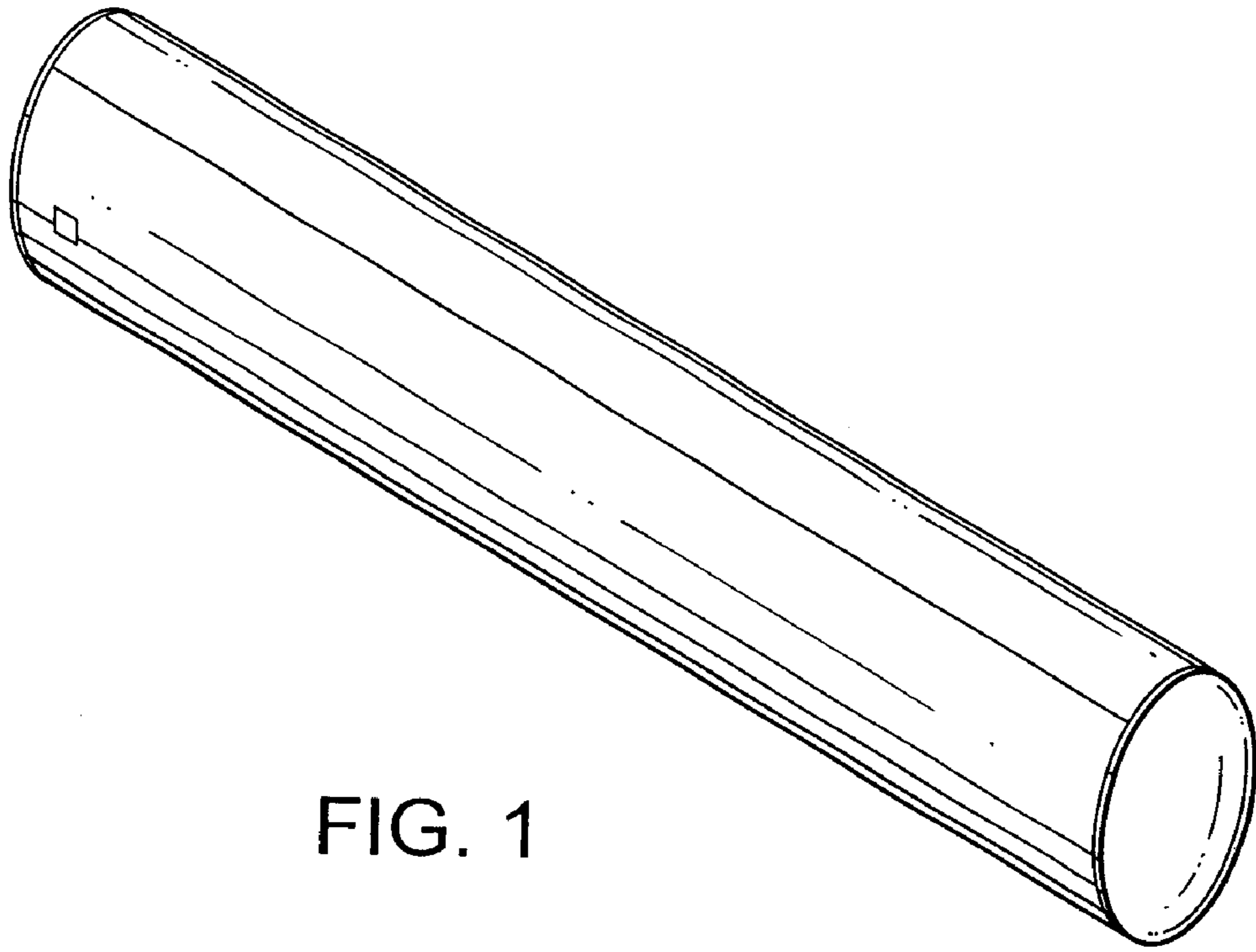


FIG. 1

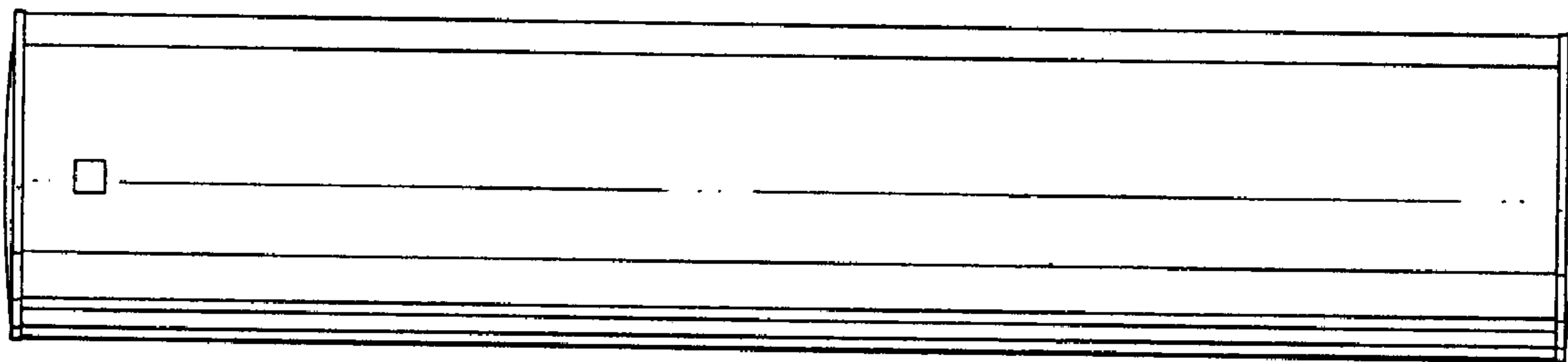


FIG. 2

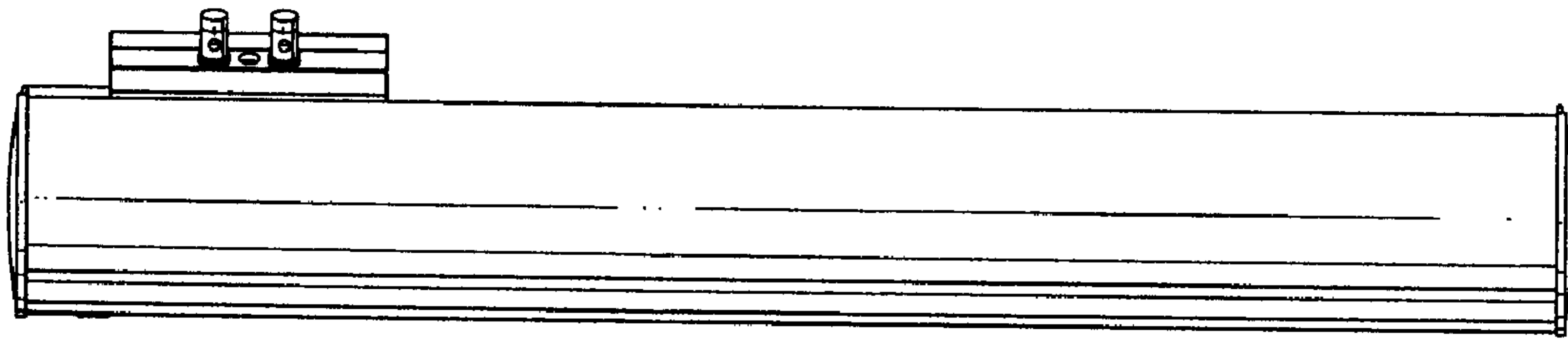


FIG. 3

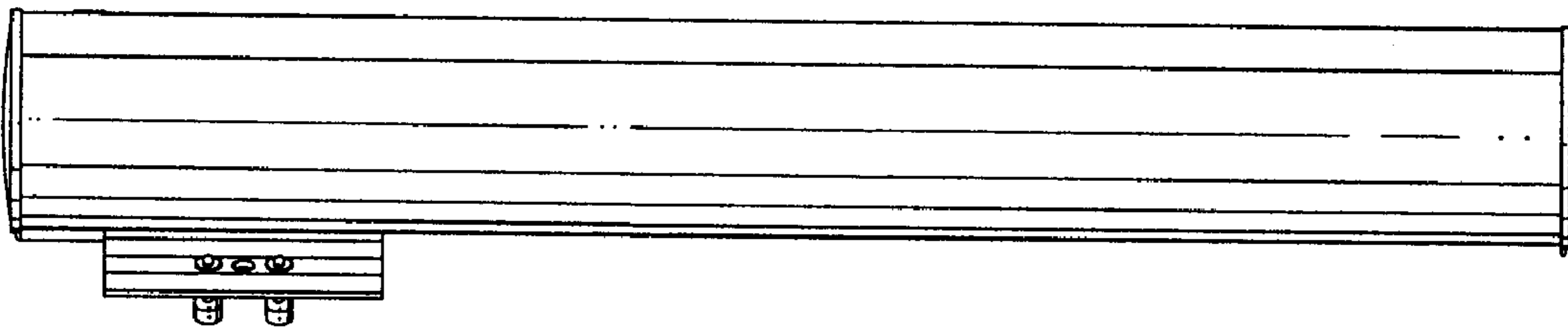


FIG. 4

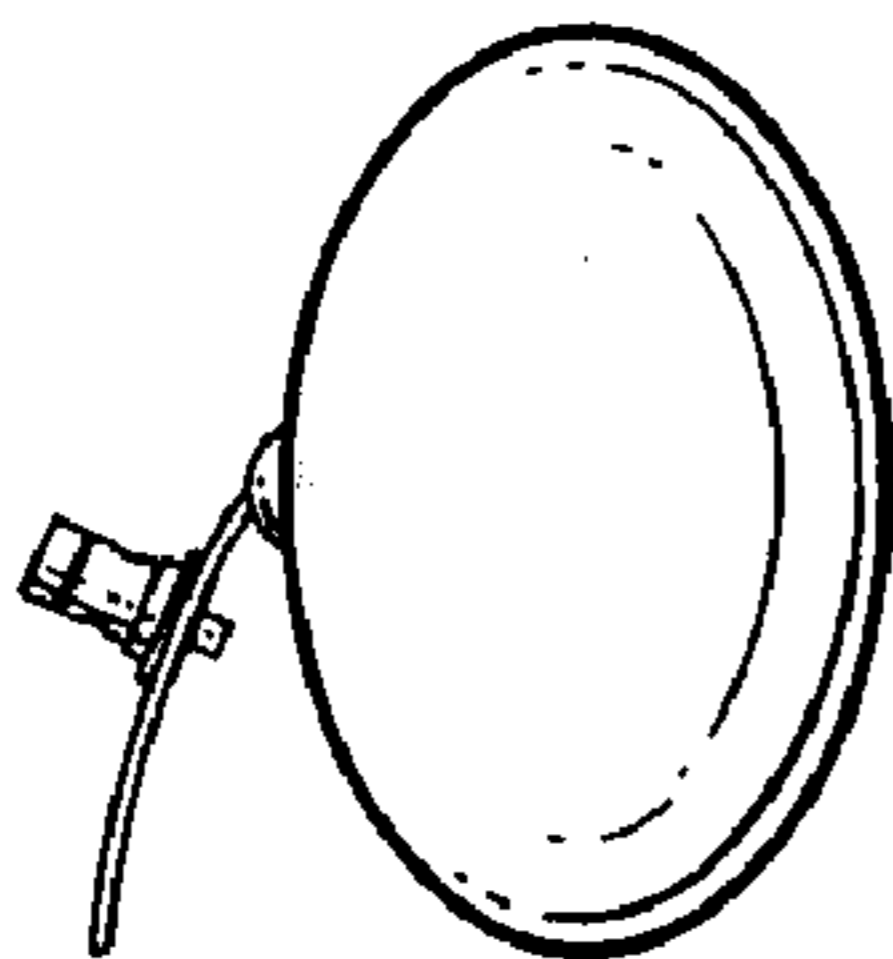


FIG. 5

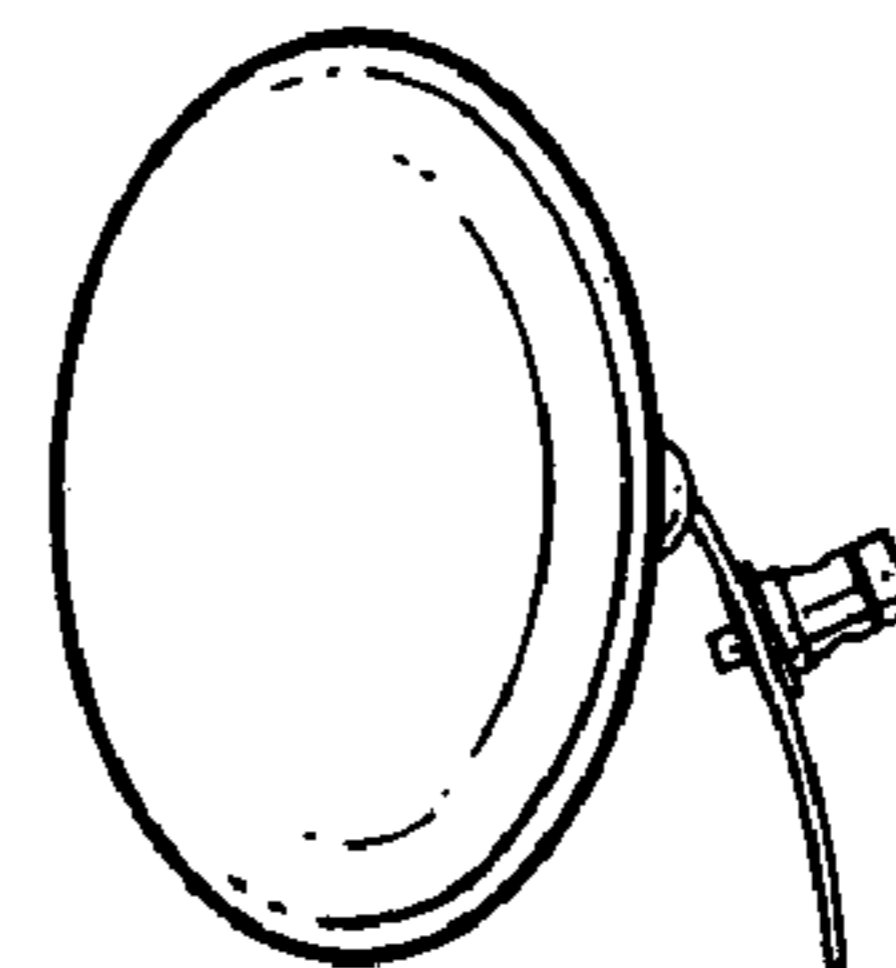


FIG. 6