



US00D519490S

(12) **United States Design Patent**  
**Komiyama**

(10) **Patent No.:** **US D519,490 S**

(45) **Date of Patent:** **\*\* Apr. 25, 2006**

(54) **SPEAKER**

(75) Inventor: **Jun Komiyama**, Tokyo (JP)

(73) Assignee: **Sony Corporation**, Tokyo (JP)

(\*\*) Term: **14 Years**

(21) Appl. No.: **29/221,234**

(22) Filed: **Jan. 14, 2005**

(51) **LOC (8) Cl.** ..... **14-01**

(52) **U.S. Cl.** ..... **D14/211; D14/214**

(58) **Field of Classification Search** ..... D14/204,  
D14/207, 209–216, 356; 181/143–144, 147–148,  
181/150, 157, 198–199, 151, 153; 381/300–302,  
381/306, 333, 345, 361–364, 386–388, 332,  
381/336

See application file for complete search history.

(56) **References Cited**

**U.S. PATENT DOCUMENTS**

4,756,382	A	*	7/1988	Hudson, III	.....	181/156
D392,640	S	*	3/1998	Tully et al.	.....	D14/216
D393,642	S	*	4/1998	Yuyama	.....	D14/216
D472,543	S		4/2003	Shintani		
D475,695	S	*	6/2003	Petronio	.....	D14/216
D496,351	S	*	9/2004	Allen	.....	D14/211

**OTHER PUBLICATIONS**

Web page “33WER-S” [www.yodobashi.com](http://www.yodobashi.com), 1 sheet, Yodobashi Camera (Nov. 2004).

Web page “SRS-RS50” <http://www.ecat.sony.co.jp/avacc/activespeaker/acc/index.cfm?PD=487&KM=SRS=RS50>, 1 sheet, Sony Market (Japan) Inc. (Nov. 2004).

\* cited by examiner

*Primary Examiner*—Nanda Bondade

(74) *Attorney, Agent, or Firm*—Rader, Fishman & Grauer PLLC

(57) **CLAIM**

The ornamental design for a speaker, as shown.

**DESCRIPTION**

FIG. 1 is a perspective view of a speaker showing my new design;

FIG. 2 is a front elevational view thereof;

FIG. 3 is a rear elevational view thereof;

FIG. 4 is a top plan view thereof;

FIG. 5 is a bottom plan view thereof;

FIG. 6 is a left side elevational view thereof; and,

FIG. 7 is a right side elevational view thereof.

**1 Claim, 4 Drawing Sheets**

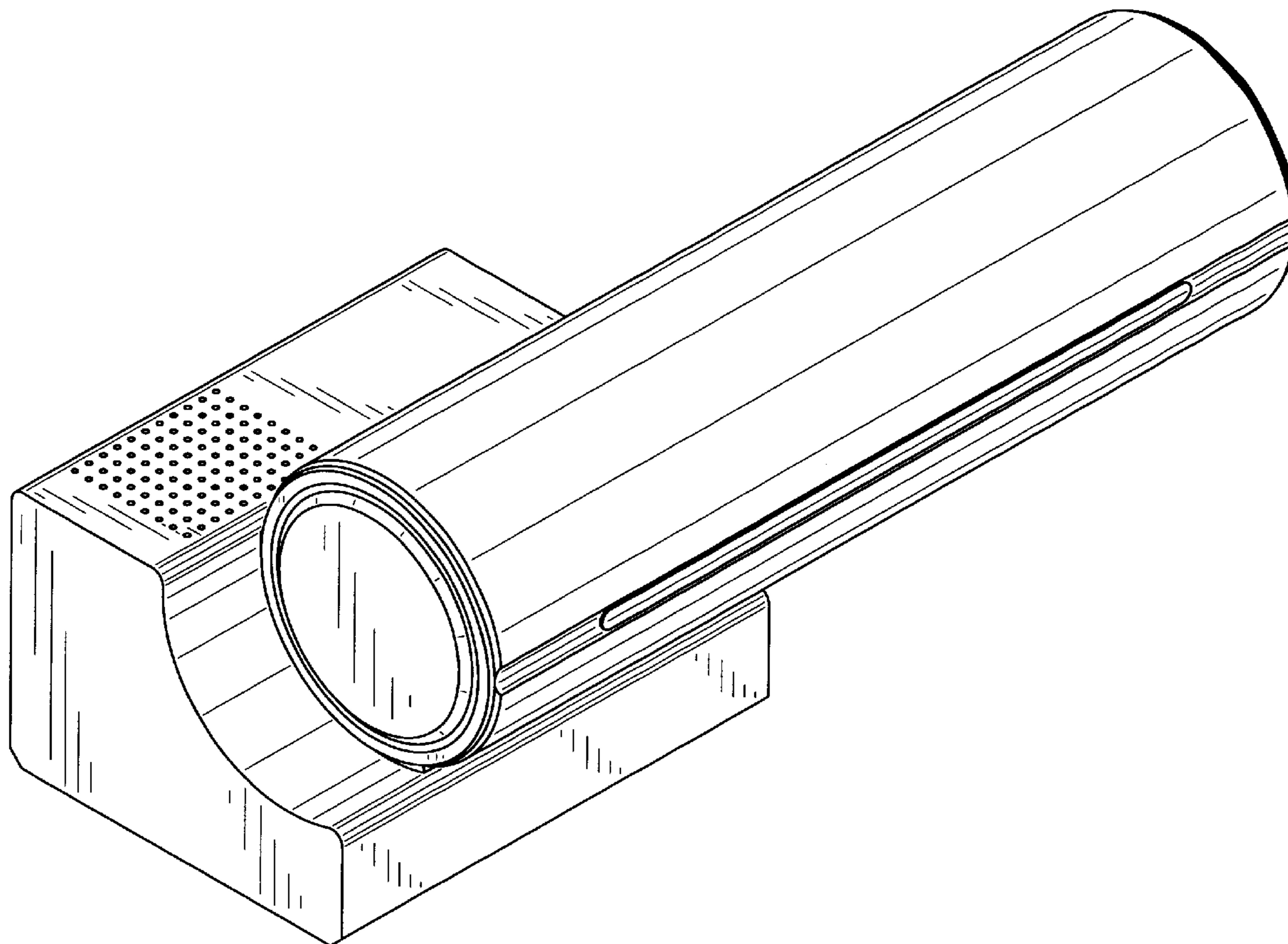
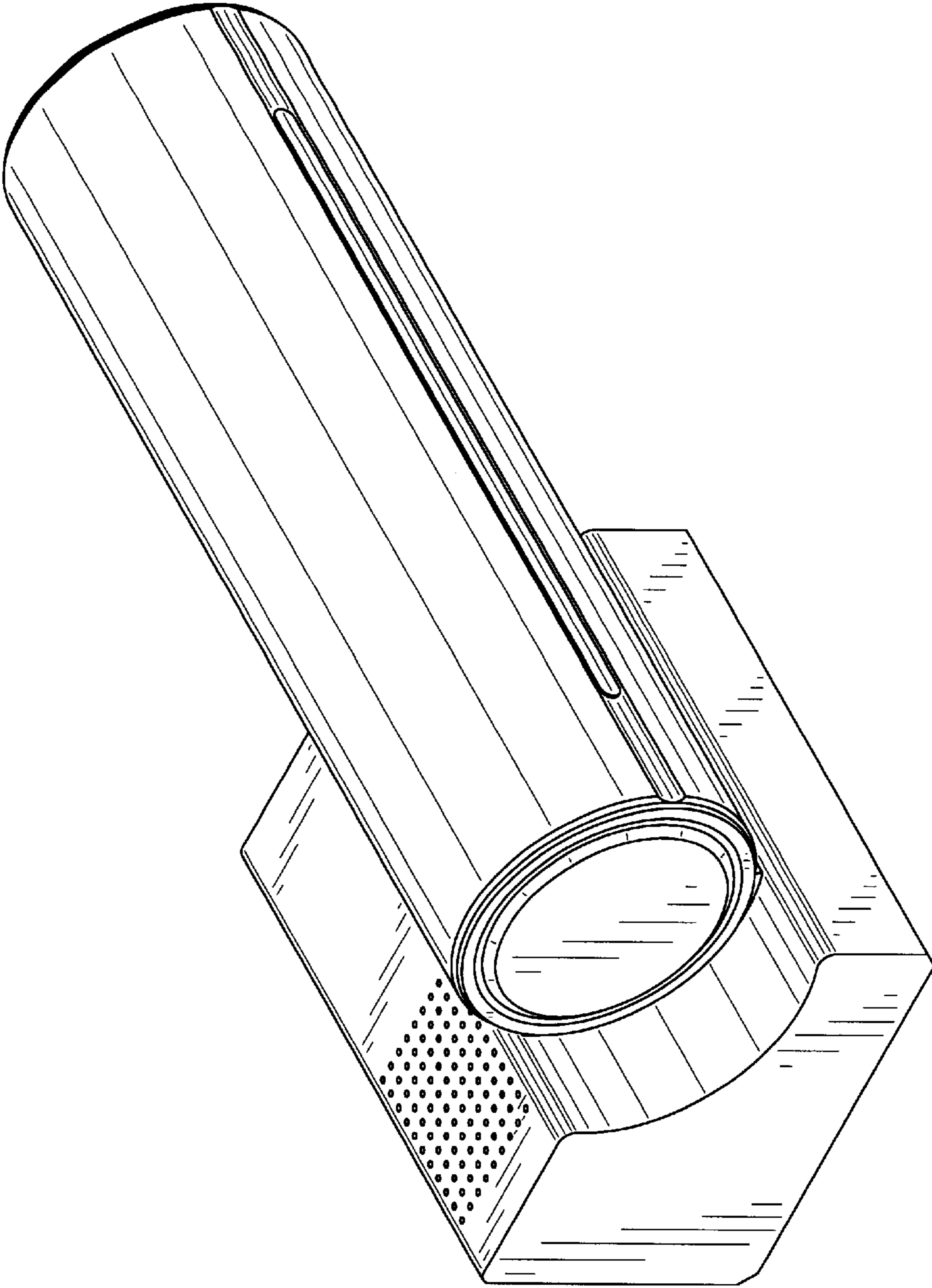


FIG.1



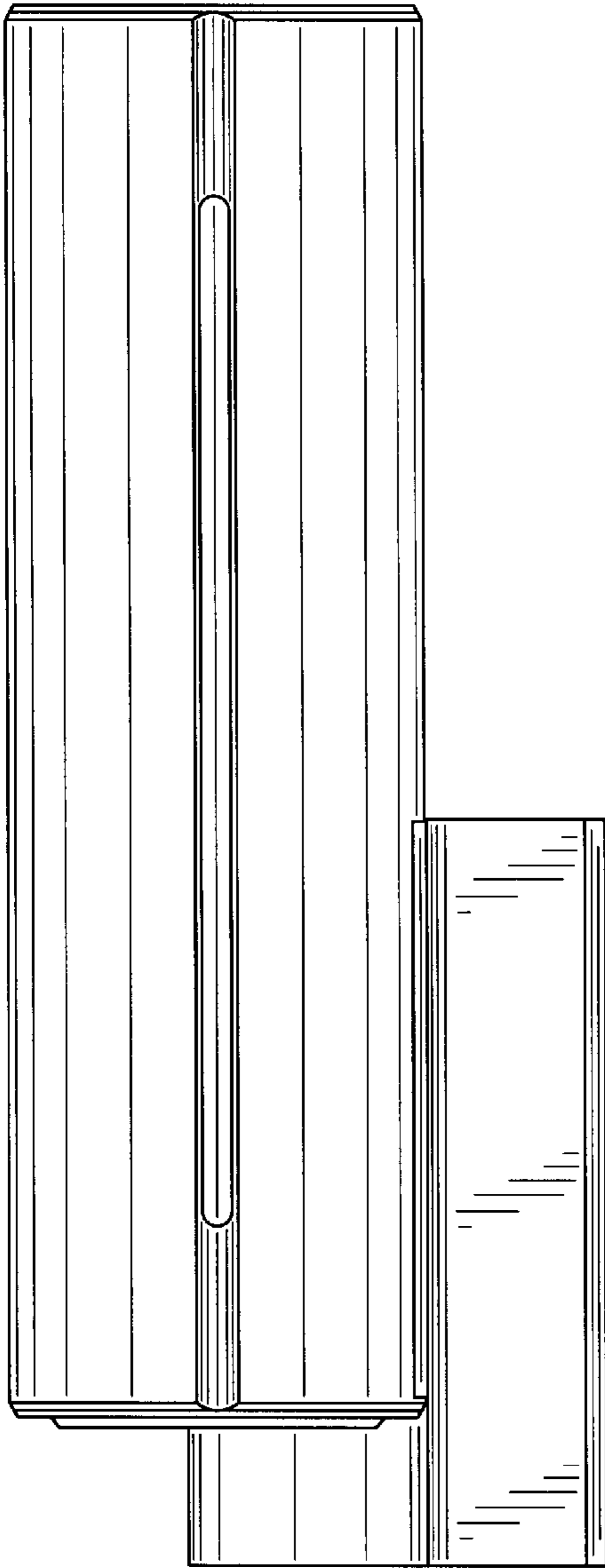


FIG. 2

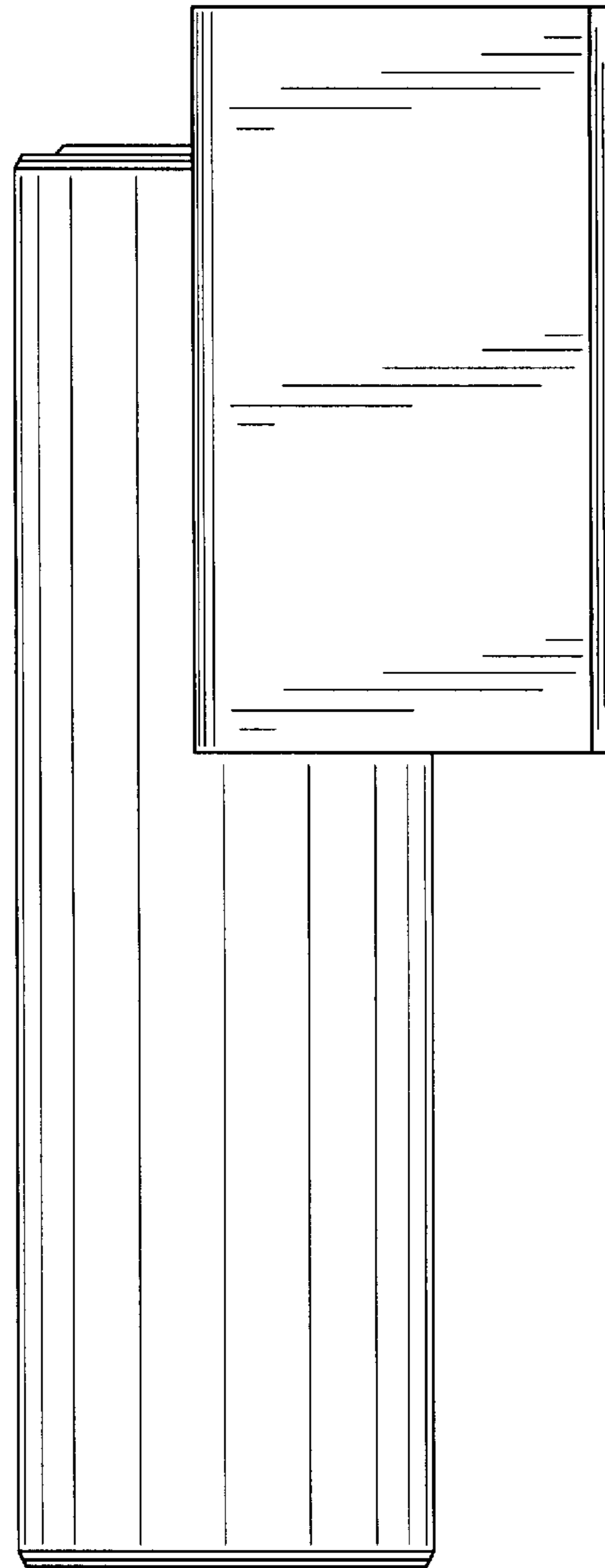


FIG. 3

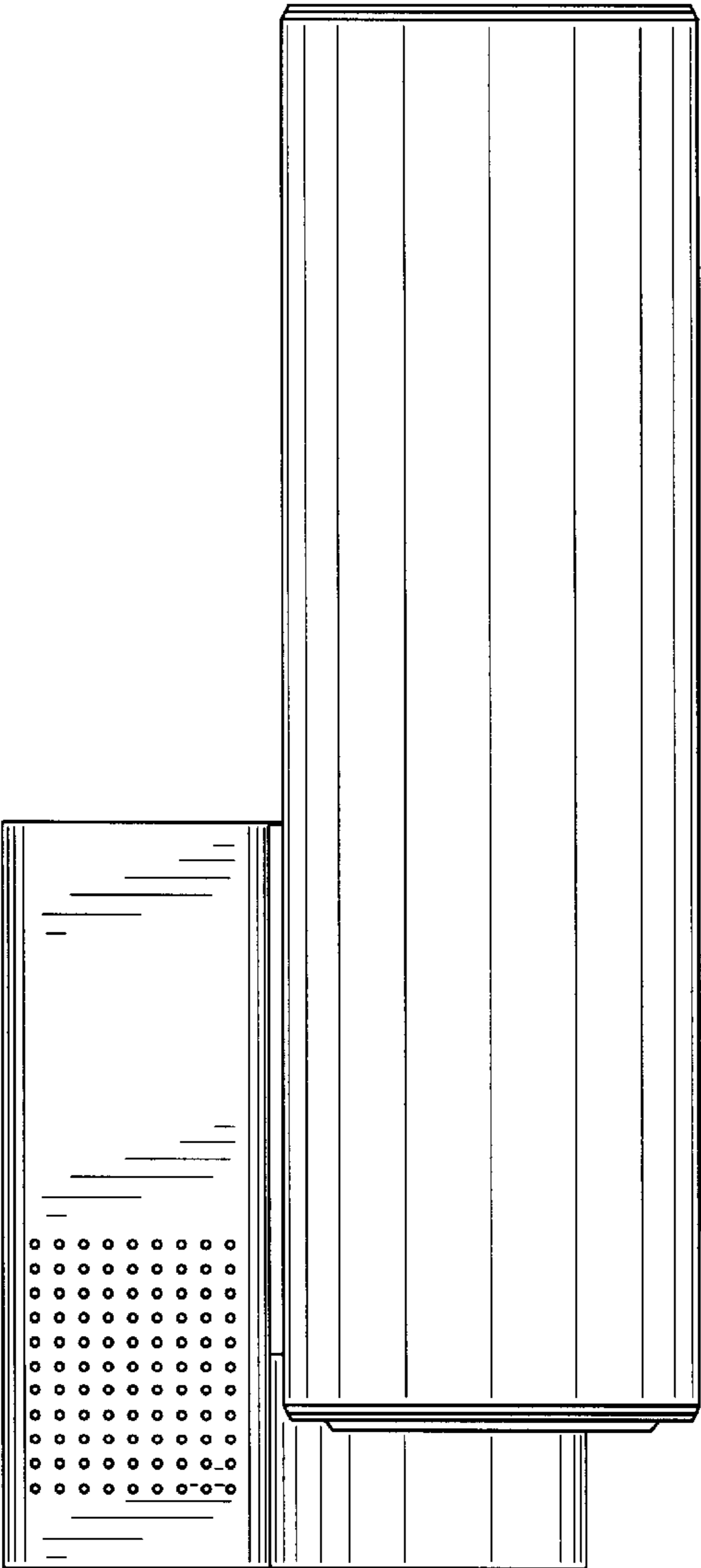


FIG.4



FIG.5

FIG.6

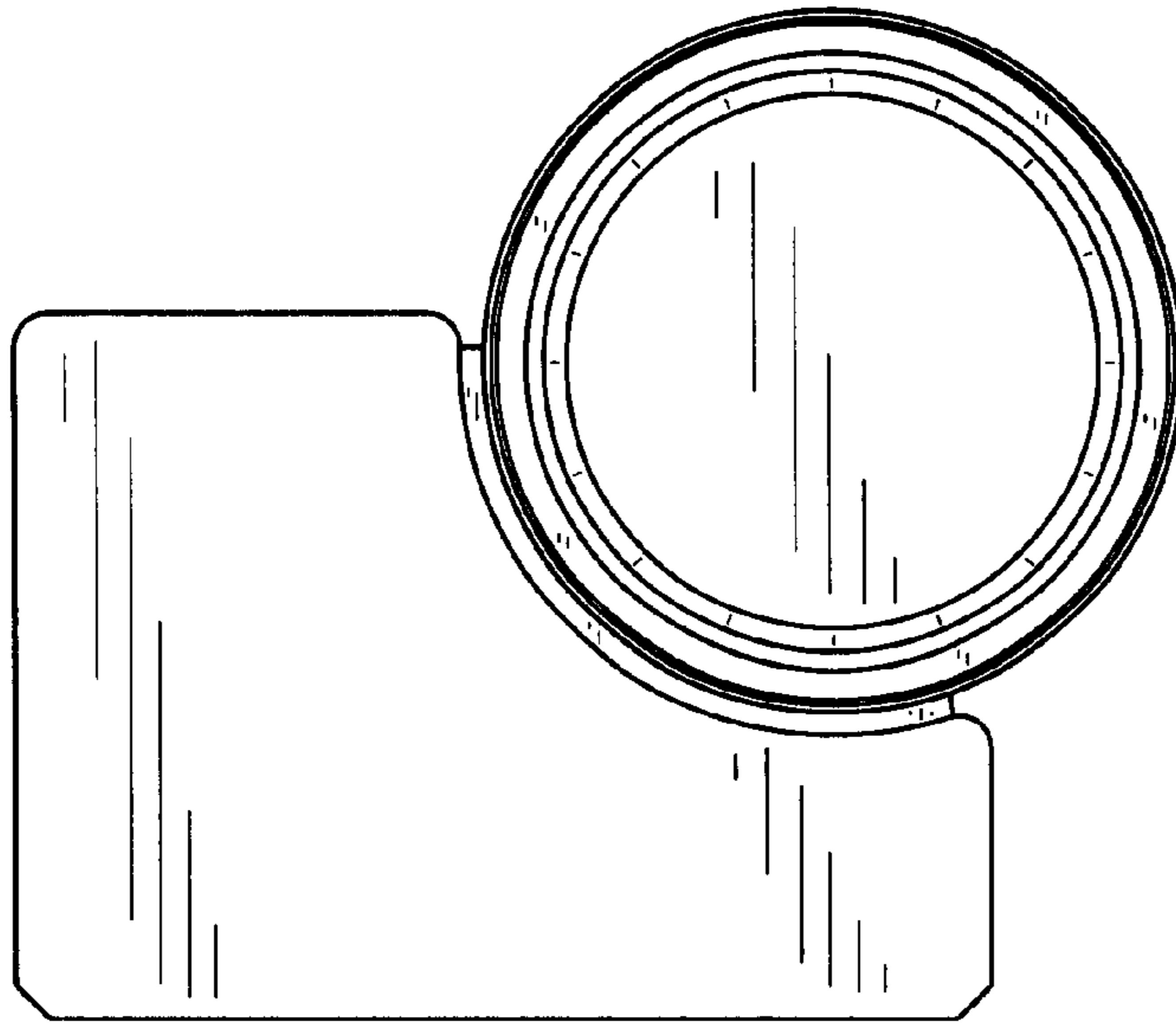


FIG.7

