



US00D519485S

(12) **United States Design Patent**
Baik et al.

(10) **Patent No.:** **US D519,485 S**
(45) **Date of Patent:** **** Apr. 25, 2006**

(54) **CELLULAR PHONE**

(75) Inventors: **Jae-Ho Baik**, Seoul (KR);
Chang-Hwan Hwang, Goyang-si (KR);
Jong-Seong Lee, Seoul (KR);
Yoon-Young Cho, Seoul (KR)

(73) Assignee: **Samsung Electronics Co., Ltd.** (KR)

(**) Term: **14 Years**

(21) Appl. No.: **29/224,028**

(22) Filed: **Feb. 24, 2005**

(30) **Foreign Application Priority Data**

Nov. 10, 2004 (KR) 30-2004-0034353

(51) **LOC (8) Cl.** **14-03**

(52) **U.S. Cl.** **D14/138**

(58) **Field of Classification Search** D14/137,
D14/138, 147-148, 247-248, 144, 341-347;
379/433.01-433.13, 434; D21/517; 455/575.3,
455/566, 575.1; 345/169

See application file for complete search history.

(56) **References Cited**

U.S. PATENT DOCUMENTS

D429,707 S	*	8/2000	Park	D14/138
D430,859 S	*	9/2000	Lindeman et al.	D14/138
D440,955 S	*	4/2001	Tanaka et al.	D14/138
D443,866 S	*	6/2001	Arbisi et al.	D14/138
D446,201 S	*	8/2001	Kim	D14/138
D450,672 S	*	11/2001	Arbisi et al.	D14/138
D463,386 S	*	9/2002	Chun et al.	D14/138
D465,467 S	*	11/2002	Nagai et al.	D14/138
D474,168 S	*	5/2003	Wang et al.	D14/138
D475,986 S	*	6/2003	Ng et al.	D14/138
D481,697 S	*	11/2003	Rausch et al.	D14/138
D486,461 S	*	2/2004	Seo et al.	D14/138
D486,462 S	*	2/2004	Lim	D14/138
D488,788 S	*	4/2004	Chan	D14/138
D489,344 S	*	5/2004	Lee et al.	D14/138
D489,697 S	*	5/2004	Lee et al.	D14/138
D493,439 S	*	7/2004	Hong et al.	D14/138

D496,018 S	*	9/2004	Koo et al.	D14/138
D497,891 S	*	11/2004	Peng et al.	D14/138
D497,893 S	*	11/2004	Hwang et al.	D14/138
D497,894 S	*	11/2004	Kim	D14/138
D498,222 S	*	11/2004	Liang	D14/138
D501,837 S	*	2/2005	Kim et al.	D14/138
D501,839 S	*	2/2005	Lee et al.	D14/138
D502,458 S	*	3/2005	Chung et al.	D14/138
D503,695 S	*	4/2005	Kota et al.	D14/138
D506,985 S	*	7/2005	Koo et al.	D14/138
D508,030 S	*	8/2005	Jeoung et al.	D14/138
D508,684 S	*	8/2005	Lee et al.	D14/138
D509,494 S	*	9/2005	Cho et al.	D14/138
D510,079 S	*	9/2005	Kim et al.	D14/138
2001/0019946 A1	*	9/2001	Okuda	455/90
2002/0006809 A1	*	1/2002	Kubo et al.	455/550
2004/0097258 A1	*	5/2004	Lee et al.	455/550.1
2005/0113156 A1	*	5/2005	Park et al.	455/575.4

FOREIGN PATENT DOCUMENTS

JP	1153259	*	9/2002
JP	1183170	*	8/2003
JP	1191824	*	12/2003
WO	DM/066147	*	12/2004

* cited by examiner

Primary Examiner—Jeffrey Asch

(74) *Attorney, Agent, or Firm*—Cantor Colburn LLP

(57) **CLAIM**

We claim, the ornamental design for a cellular phone, as shown and described.

DESCRIPTION

FIG. 1 is a top and front perspective view of a cellular phone, showing our new design;
FIG. 2 is a front elevational view thereof;
FIG. 3 is a rear elevational view thereof;
FIG. 4 is a left side elevational view thereof;
FIG. 5 is a right side elevational view thereof;
FIG. 6 is a top elevational view thereof; and,
FIG. 7 is a bottom elevational view thereof.

1 Claim, 3 Drawing Sheets

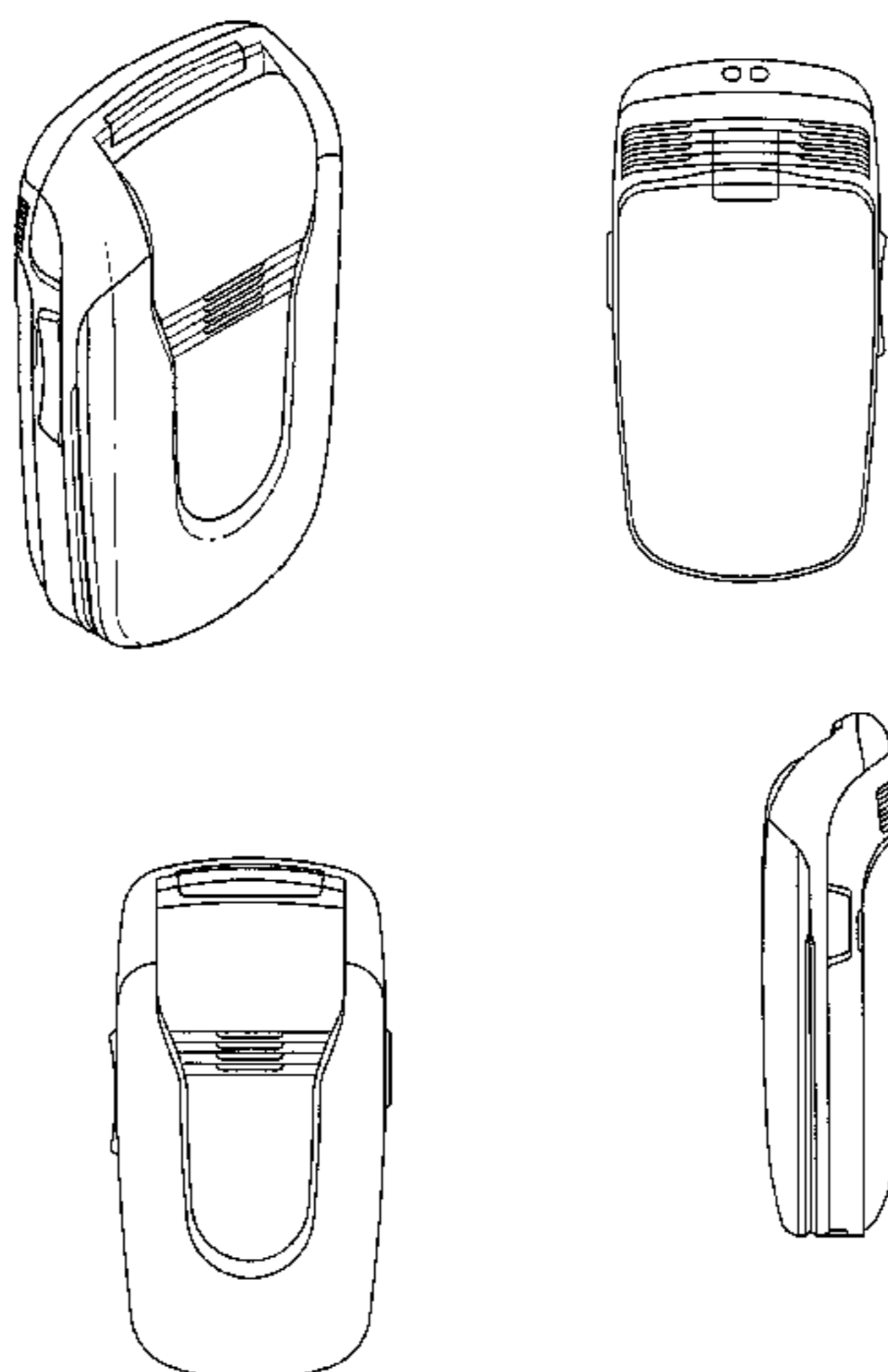


FIG. 1

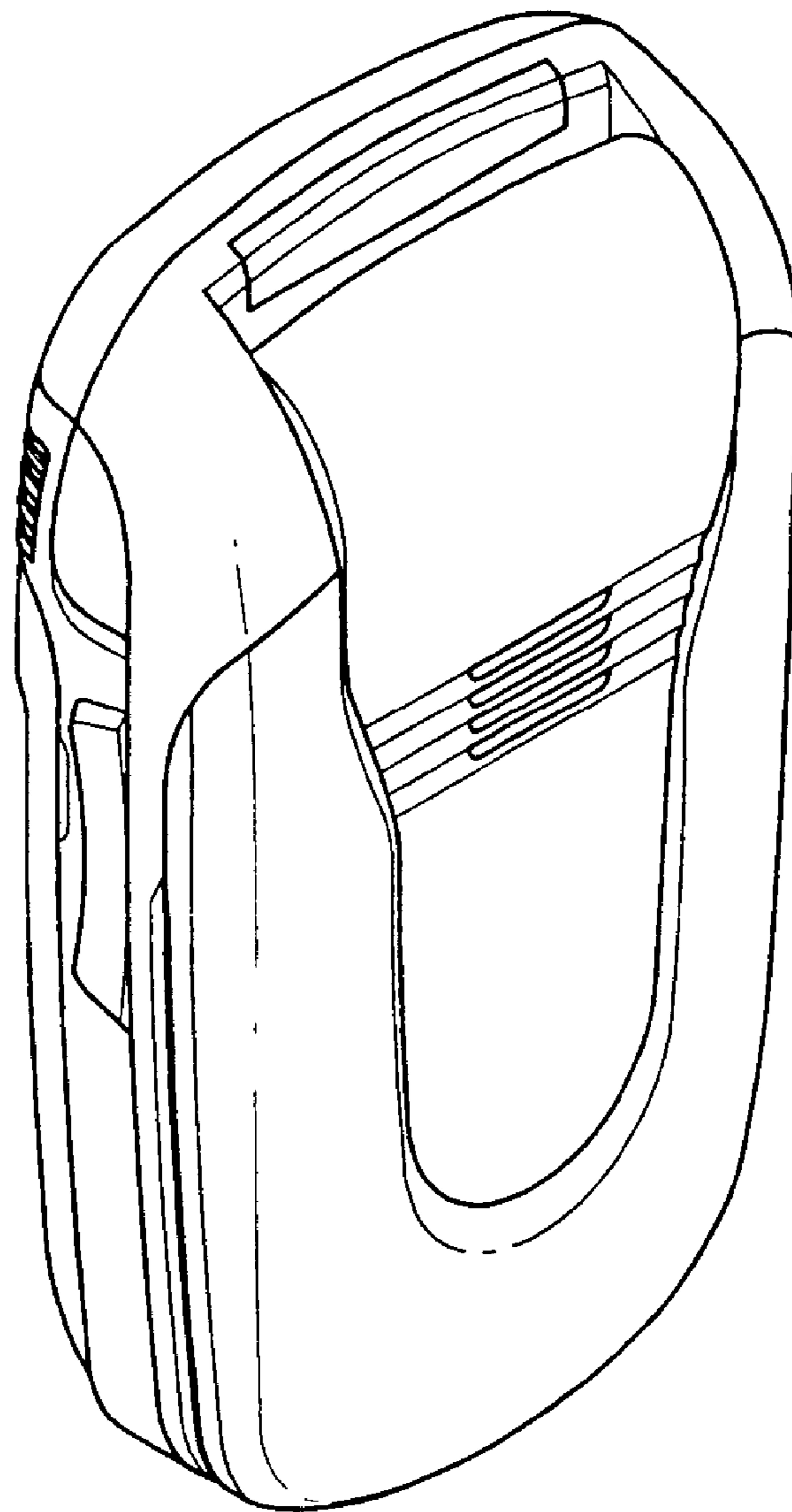


FIG. 2

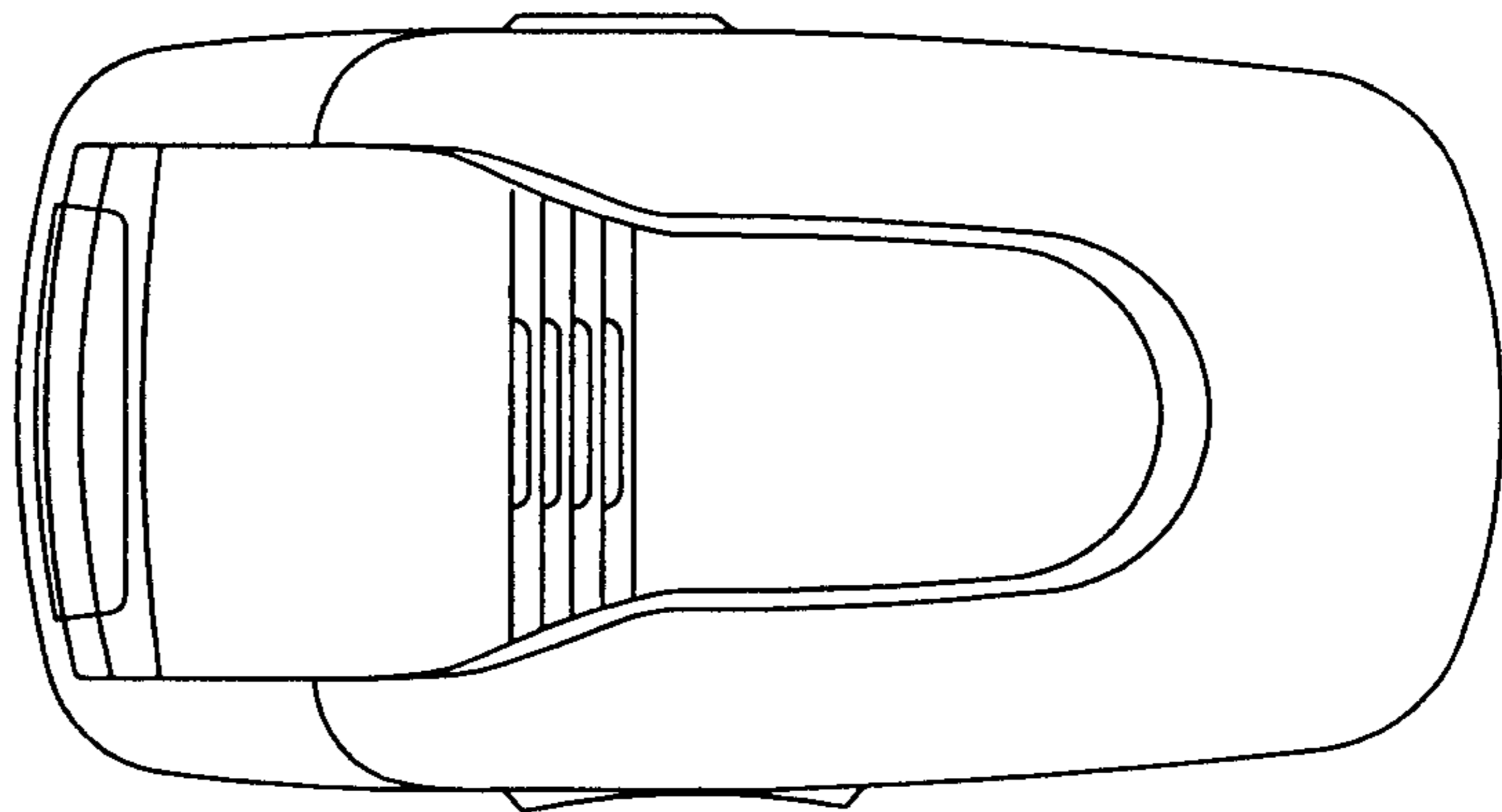


FIG. 3

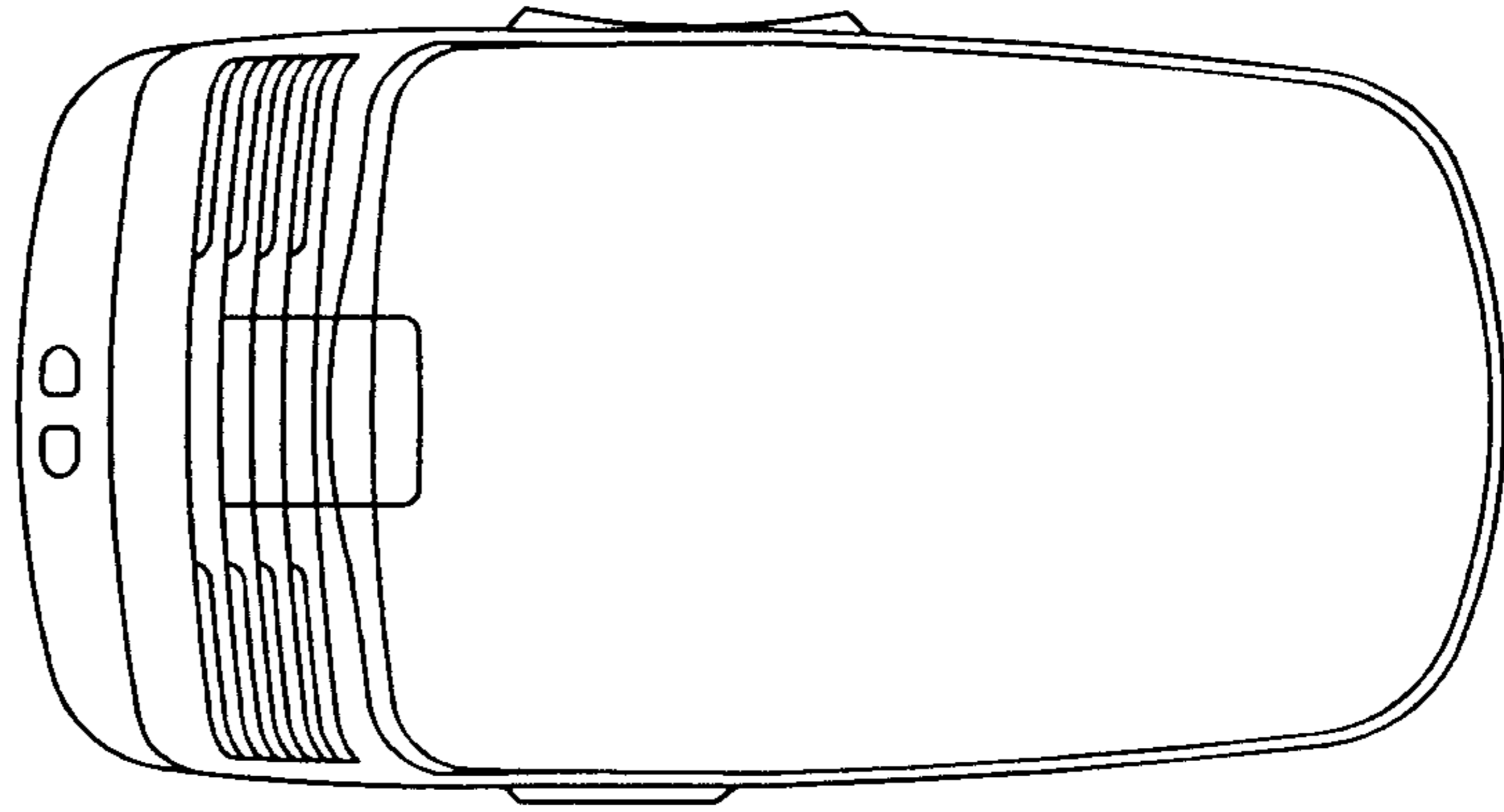


FIG. 4

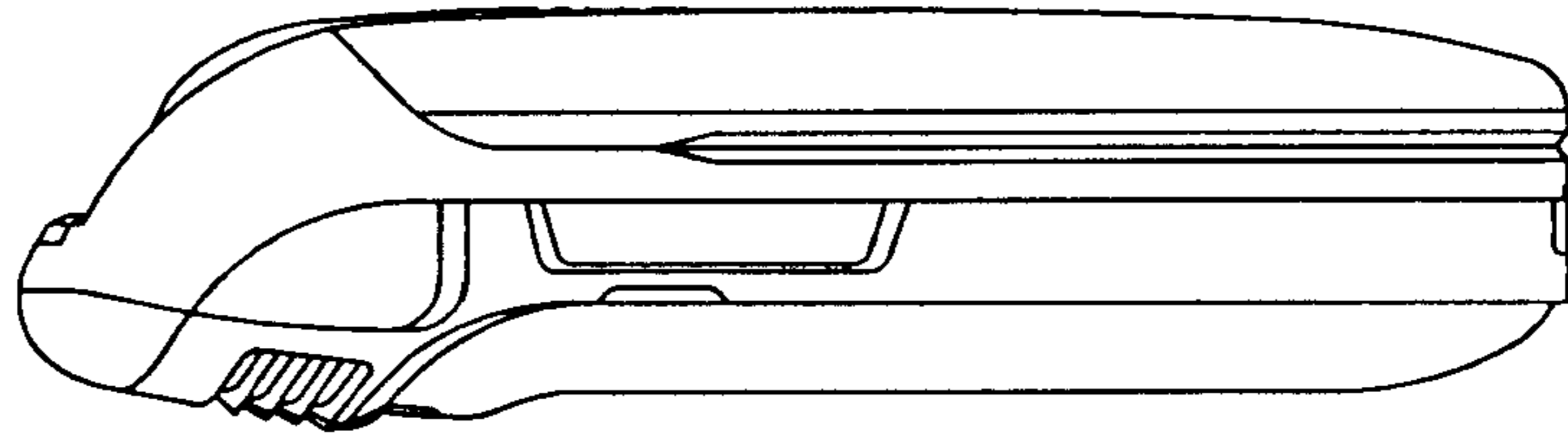


FIG. 5

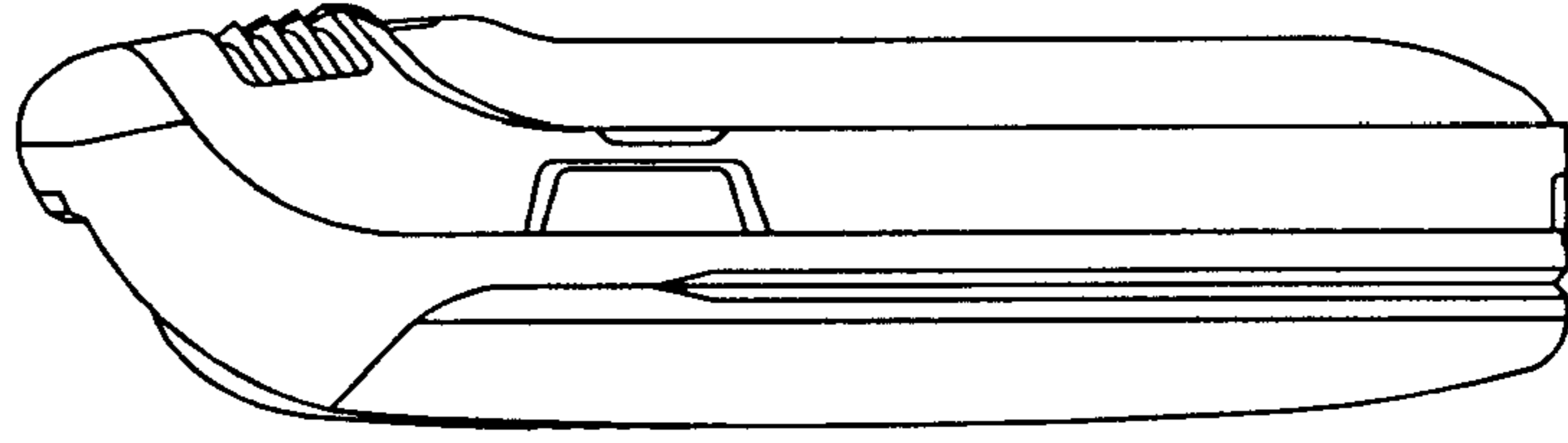


FIG. 6

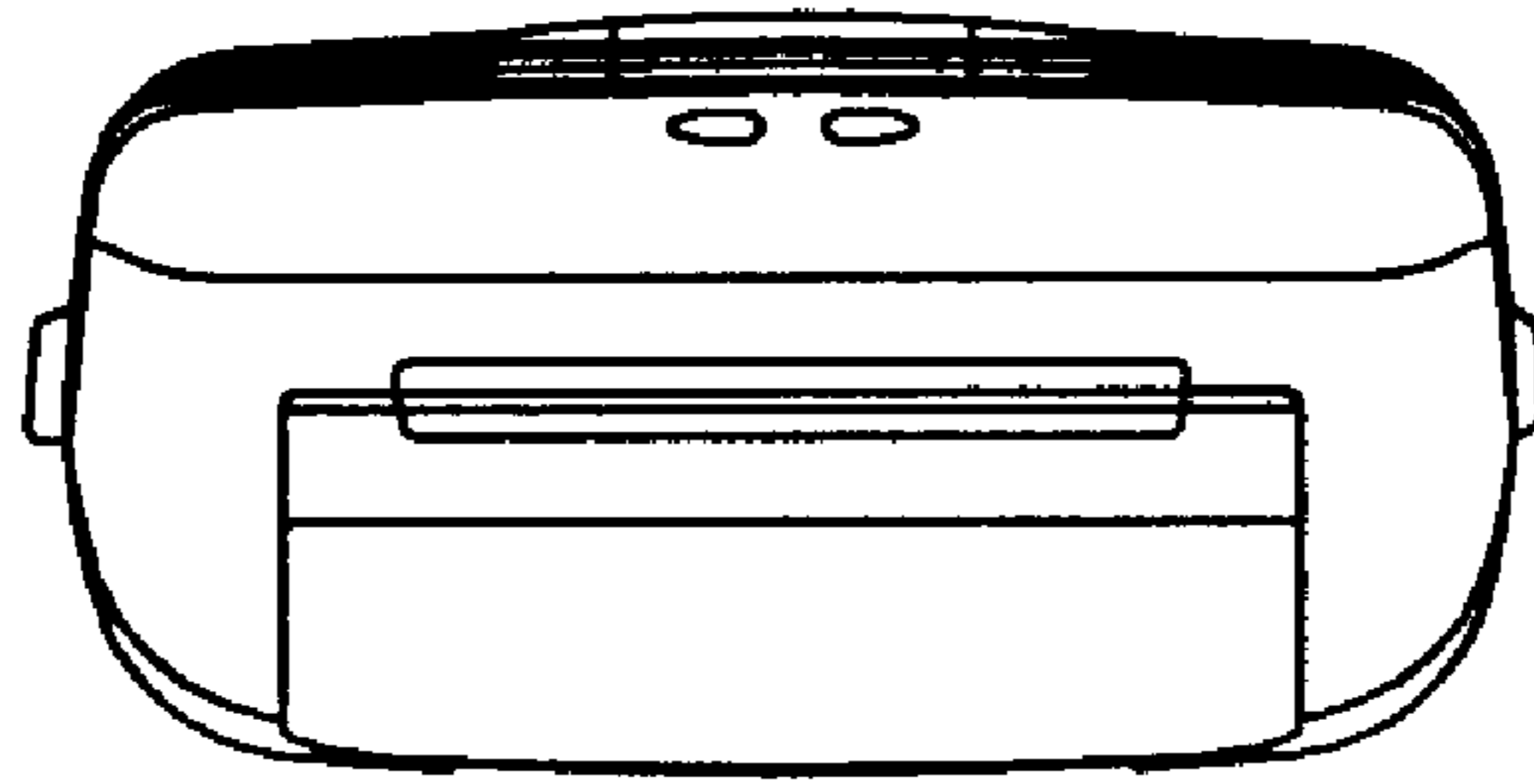


FIG. 7

