



US00D519471S

(12) **United States Design Patent**  
**Lin**

(10) **Patent No.:** **US D519,471 S**

(45) **Date of Patent:** **\*\* Apr. 25, 2006**

(54) **TELEVISION SET**

(75) Inventor: **Roger Lin**, Taipei (TW)

(73) Assignee: **Hannspree, Inc.**, Taipei (TW)

(\*\*) Term: **14 Years**

(21) Appl. No.: **29/227,511**

(22) Filed: **Apr. 13, 2005**

(51) **LOC (8) Cl.** ..... **14-03**

(52) **U.S. Cl.** ..... **D14/126; D14/129**

(58) **Field of Classification Search** ..... D14/125-134,  
D14/239, 371, 136, 374-376; 312/7.2; 348/836,  
348/838, 180, 184, 325, 739; 341/12; 248/917-924,  
248/465; 345/104, 133, 156, 168, 87, 173;  
720/605, 669, 600, 655; 369/99, 197; 455/344-347  
See application file for complete search history.

(56) **References Cited**

**U.S. PATENT DOCUMENTS**

D224,346 S	*	7/1972	Nakamura et al.	.....	D14/126
D293,579 S	*	1/1988	Davis	.....	D14/375
D323,324 S	*	1/1992	Suda	.....	D14/126
D388,077 S	*	12/1997	Starck	.....	D11/132
D429,227 S	*	8/2000	Shimizu	.....	D14/126

D438,849 S	*	3/2001	Adachi et al.	.....	D14/126
D458,910 S	*	6/2002	Kita	.....	D14/126
D467,620 S	*	12/2002	Lin	.....	D14/371
D474,468 S	*	5/2003	Zuege et al.	.....	D21/515
D475,984 S	*	6/2003	Chen et al.	.....	D14/126
D481,728 S	*	11/2003	Olson et al.	.....	D14/375
D485,557 S	*	1/2004	Hsu et al.	.....	D14/375

\* cited by examiner

*Primary Examiner*—Raphael Barkai

(74) *Attorney, Agent, or Firm*—Troxell Law Office, PLLC

(57) **CLAIM**

The ornamental design for a television set, as shown and described.

**DESCRIPTION**

FIG. 1 is a perspective view of television set showing my design;

FIG. 2 is front view thereof;

FIG. 3 is a right side view thereof;

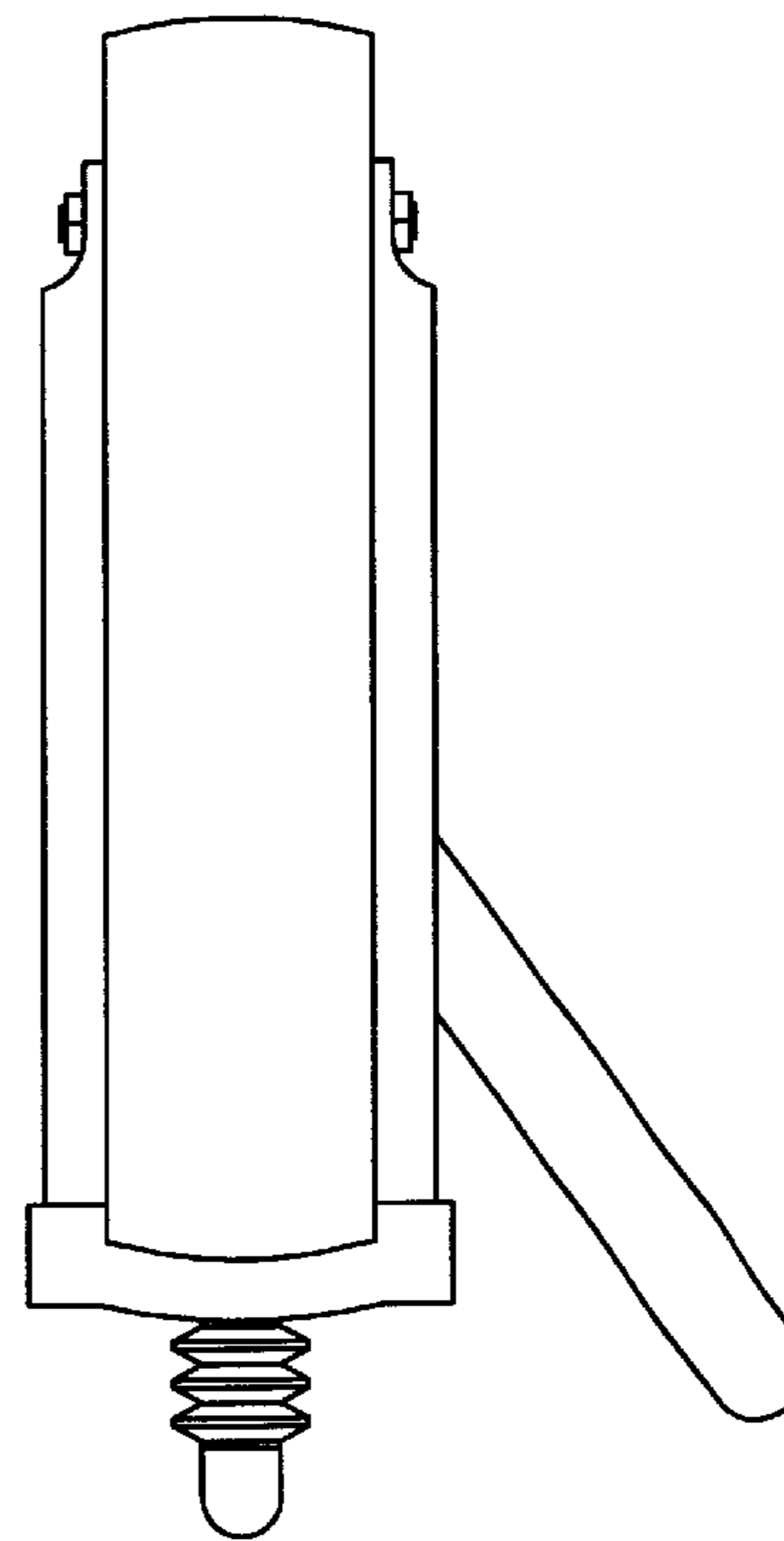
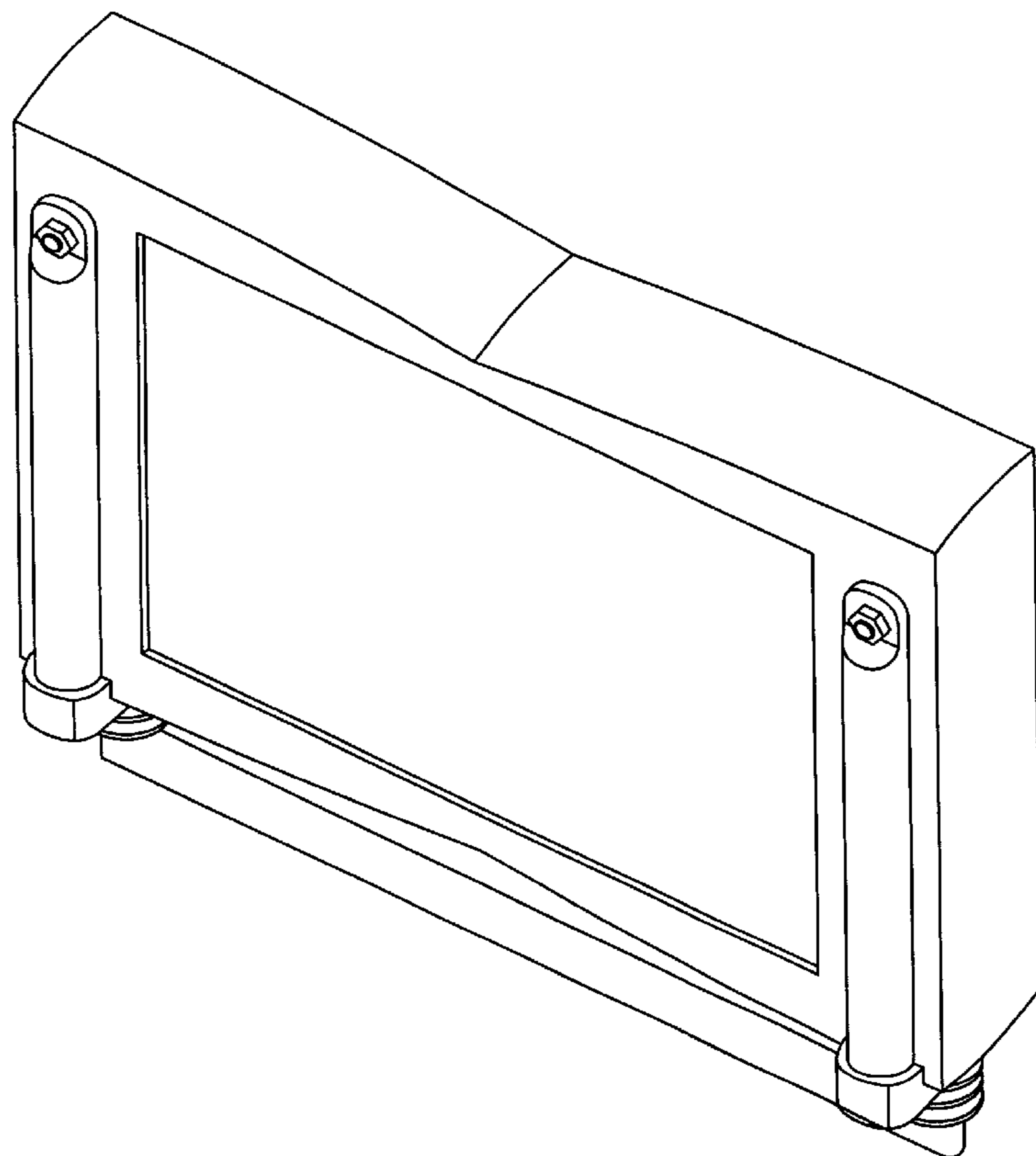
FIG. 4 is a top view thereof;

FIG. 5 is a bottom view thereof;

FIG. 6 is a rear view thereof; and,

FIG. 7 is a left side view thereof.

**1 Claim, 4 Drawing Sheets**



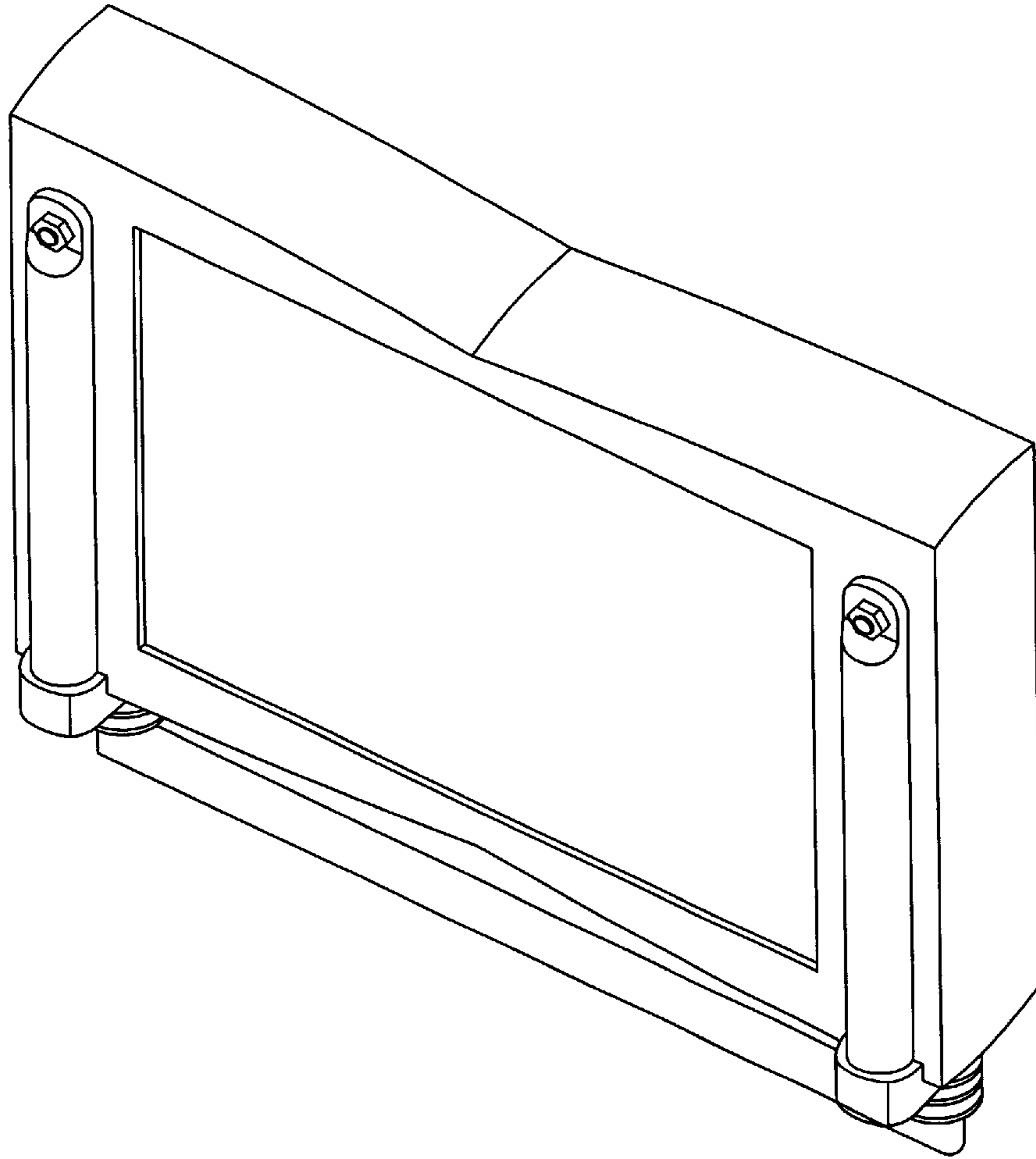


FIG. 1

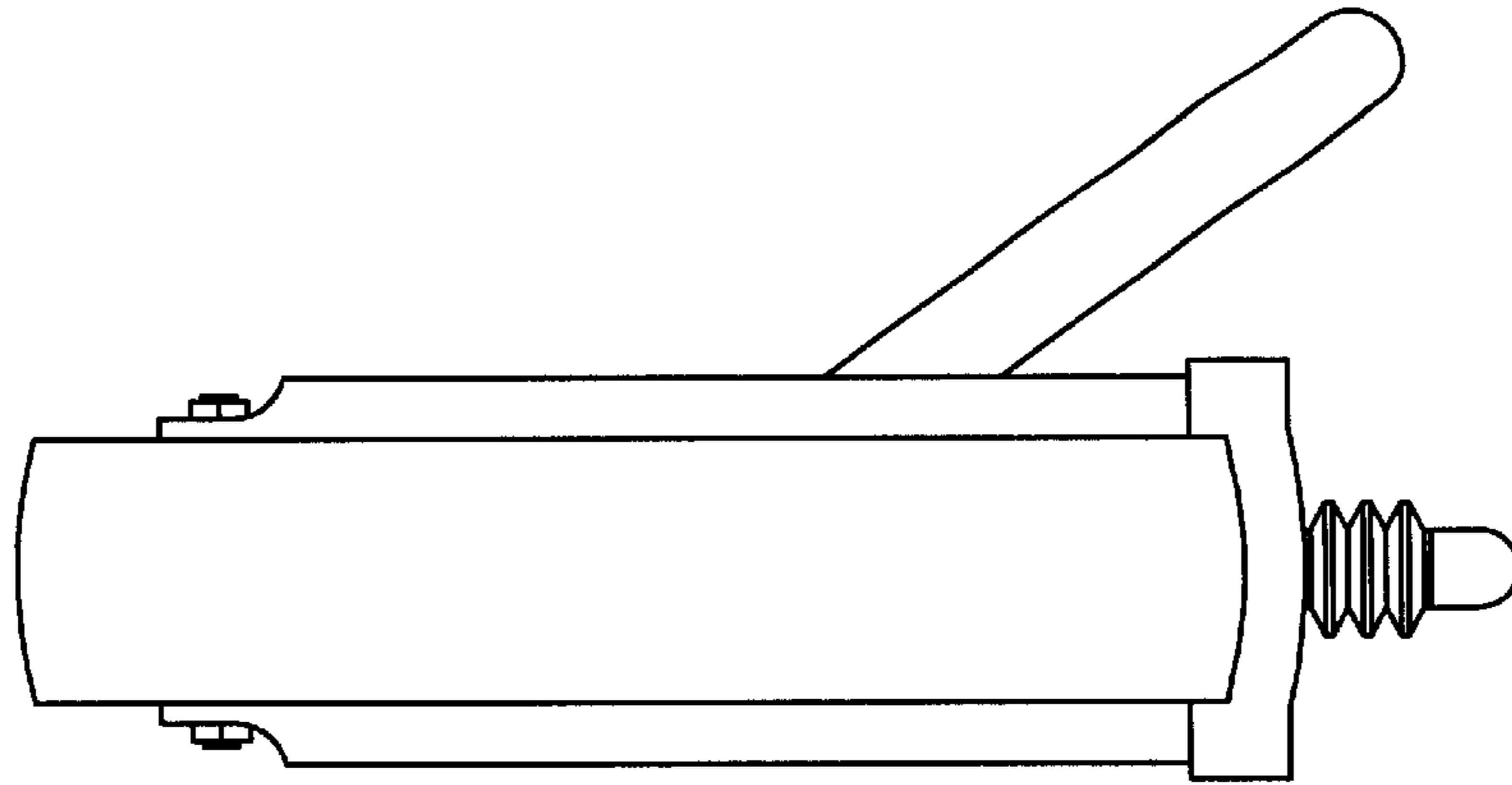


FIG. 3

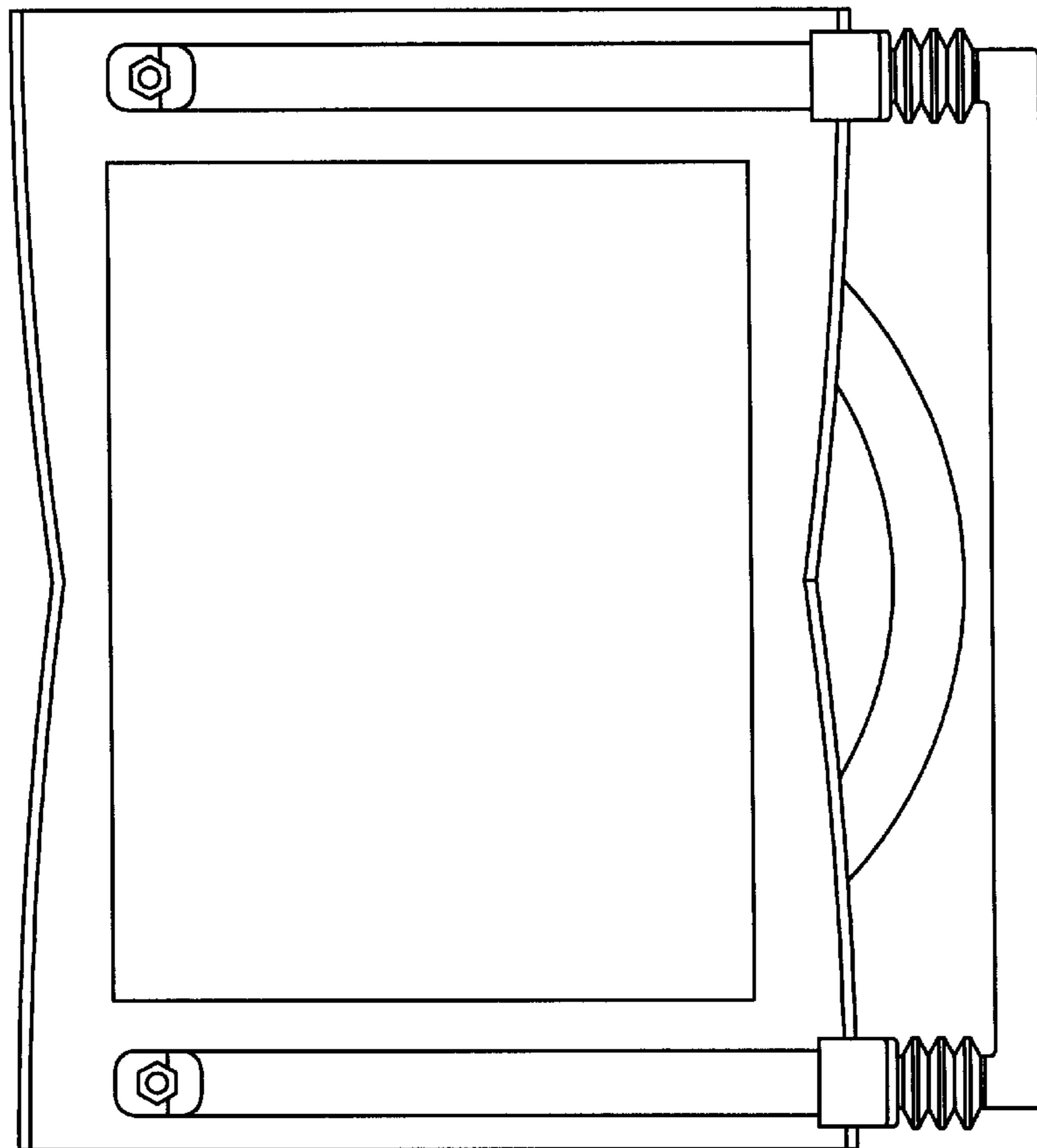


FIG. 2

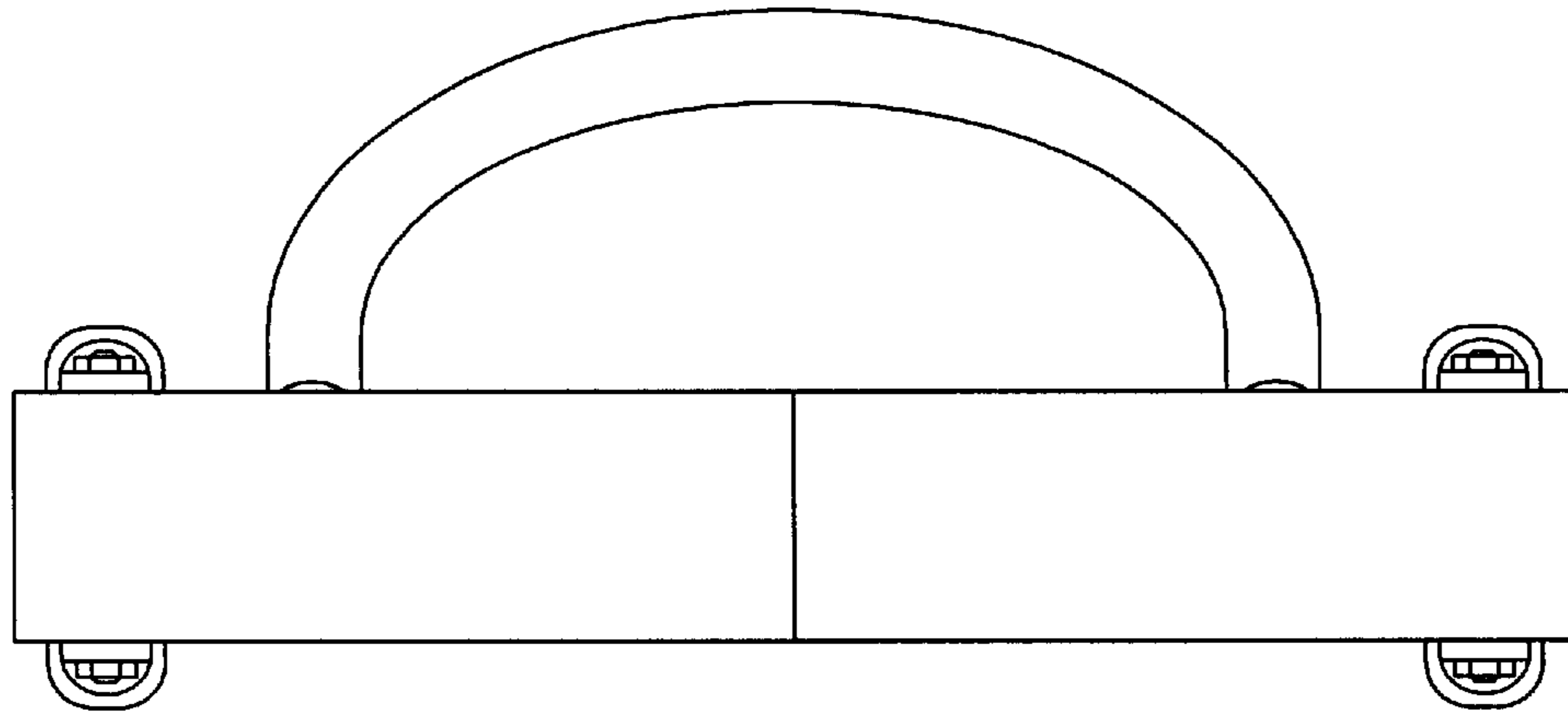


FIG. 4

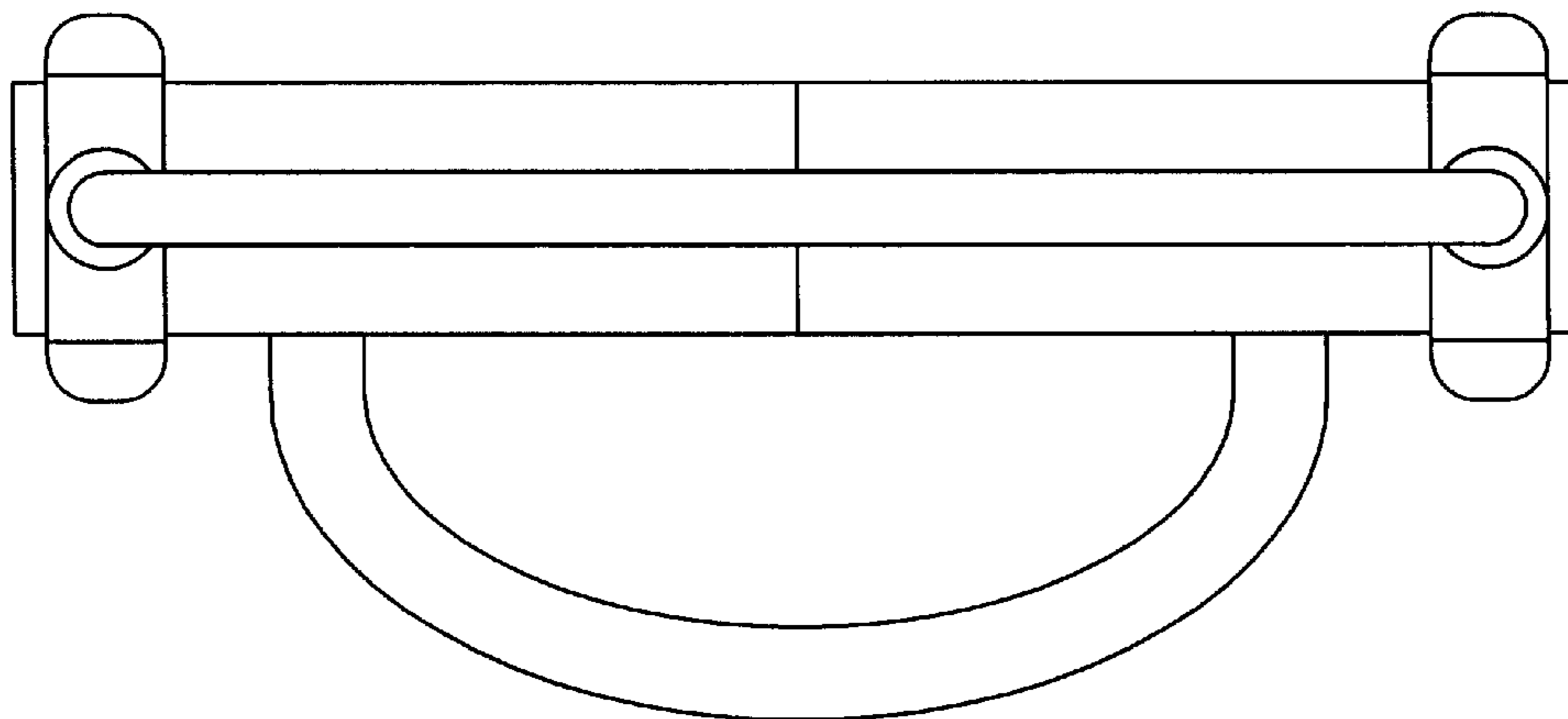


FIG. 5

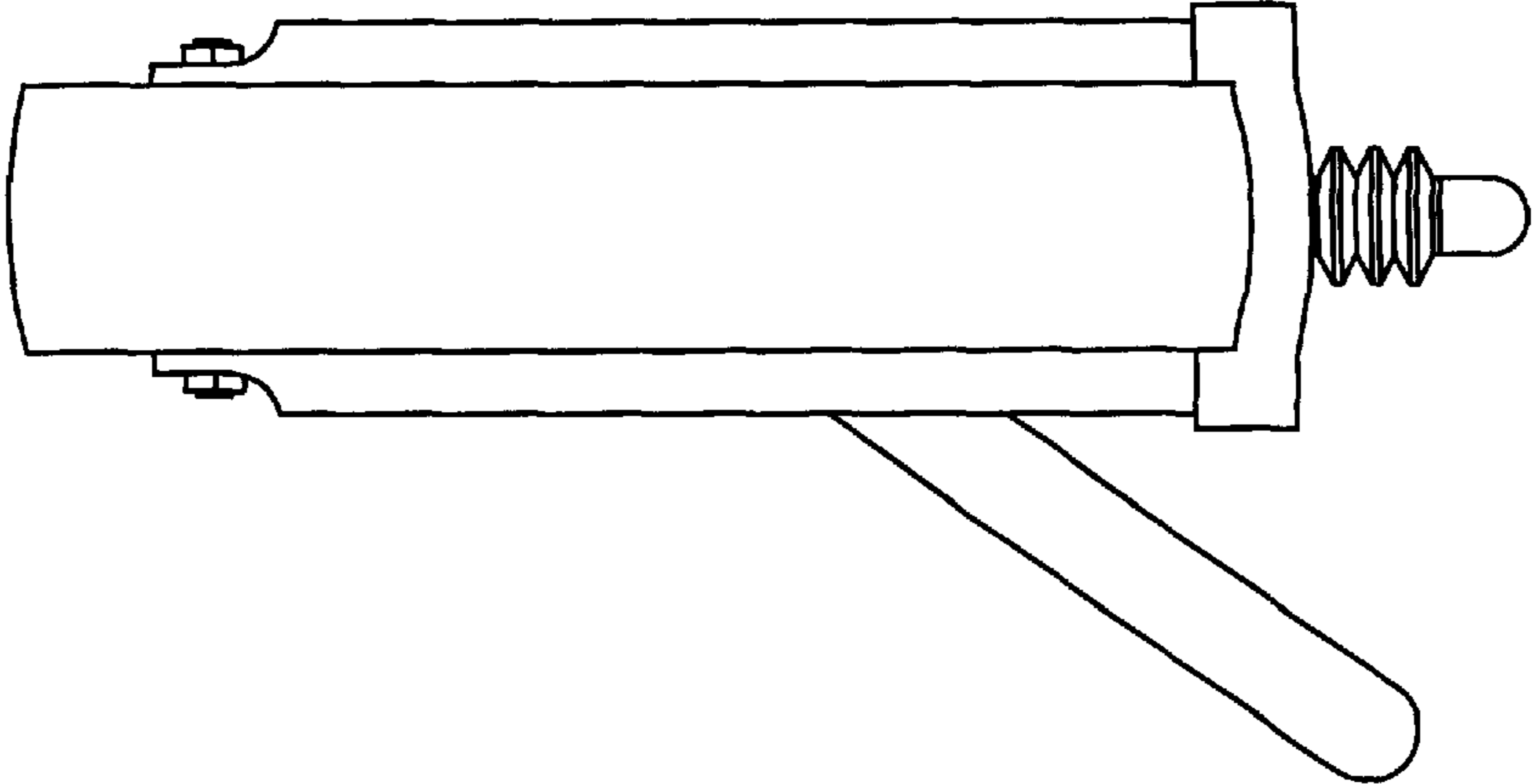


FIG. 7

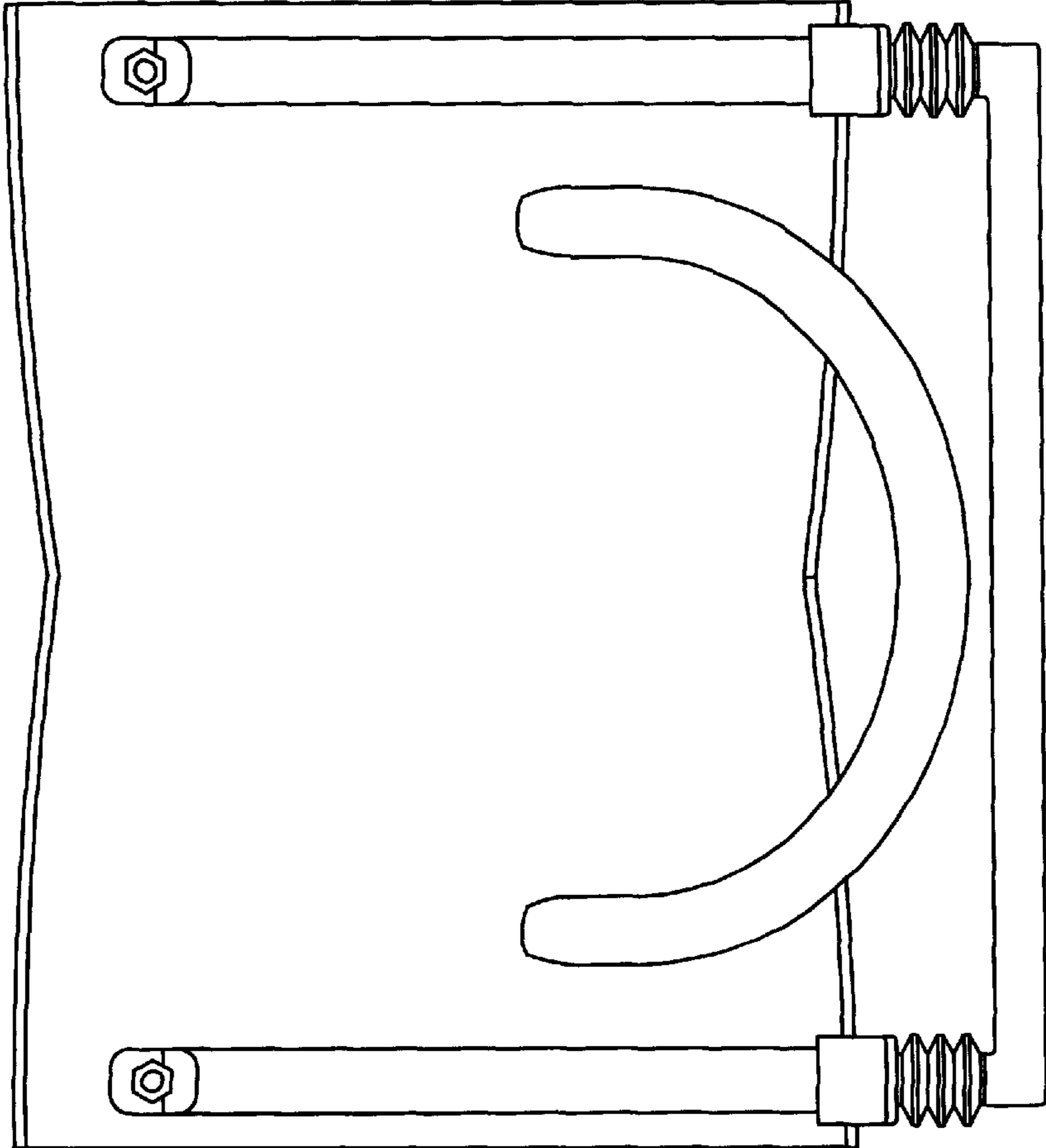


FIG. 6