



US00D519465S

(12) **United States Design Patent**
Sirichai et al.

(10) **Patent No.:** **US D519,465 S**

(45) **Date of Patent:** **** Apr. 25, 2006**

(54) **ADAPTER**

(75) Inventors: **Saharut Sirichai**, Los Angeles, CA
(US); **Mitchell Suckle**, Long Beach,
CA (US)

(73) Assignee: **Belkin Corporation**, Compton, CA
(US)

(**) Term: **14 Years**

(21) Appl. No.: **29/220,505**

(22) Filed: **Dec. 31, 2004**

(51) **LOC (8) Cl.** **13-03**

(52) **U.S. Cl.** **D13/156**

(58) **Field of Classification Search** D13/133,
D13/146, 147, 151, 154-156; D14/433; 439/362,
439/365, 367, 476.1, 478, 527, 528, 606,
439/731, 901

See application file for complete search history.

6,257,914 B1 7/2001 Comerci et al.
6,319,040 B1 11/2001 Chang
D460,050 S 7/2002 Haines et al.
D462,325 S * 9/2002 Nakatomi D13/147
D463,373 S * 9/2002 Lee D13/147
D470,819 S * 2/2003 Sass et al. D13/133
D503,153 S * 3/2005 Suckle et al. D13/154

OTHER PUBLICATIONS

U.S. Appl. No. 29/212,605, filed Sep. 30, 2004, Mitchell
Suckle.

U.S. Appl. No. 29/196,898, filed Jan. 6, 2004, Suckle, et al.

* cited by examiner

Primary Examiner—Holly Baynham

Assistant Examiner—Cynthia M. Chin

(74) *Attorney, Agent, or Firm*—Bryan Cave LLP

(57) **CLAIM**

We claim the ornamental design for an adapter, as shown
and described.

DESCRIPTION

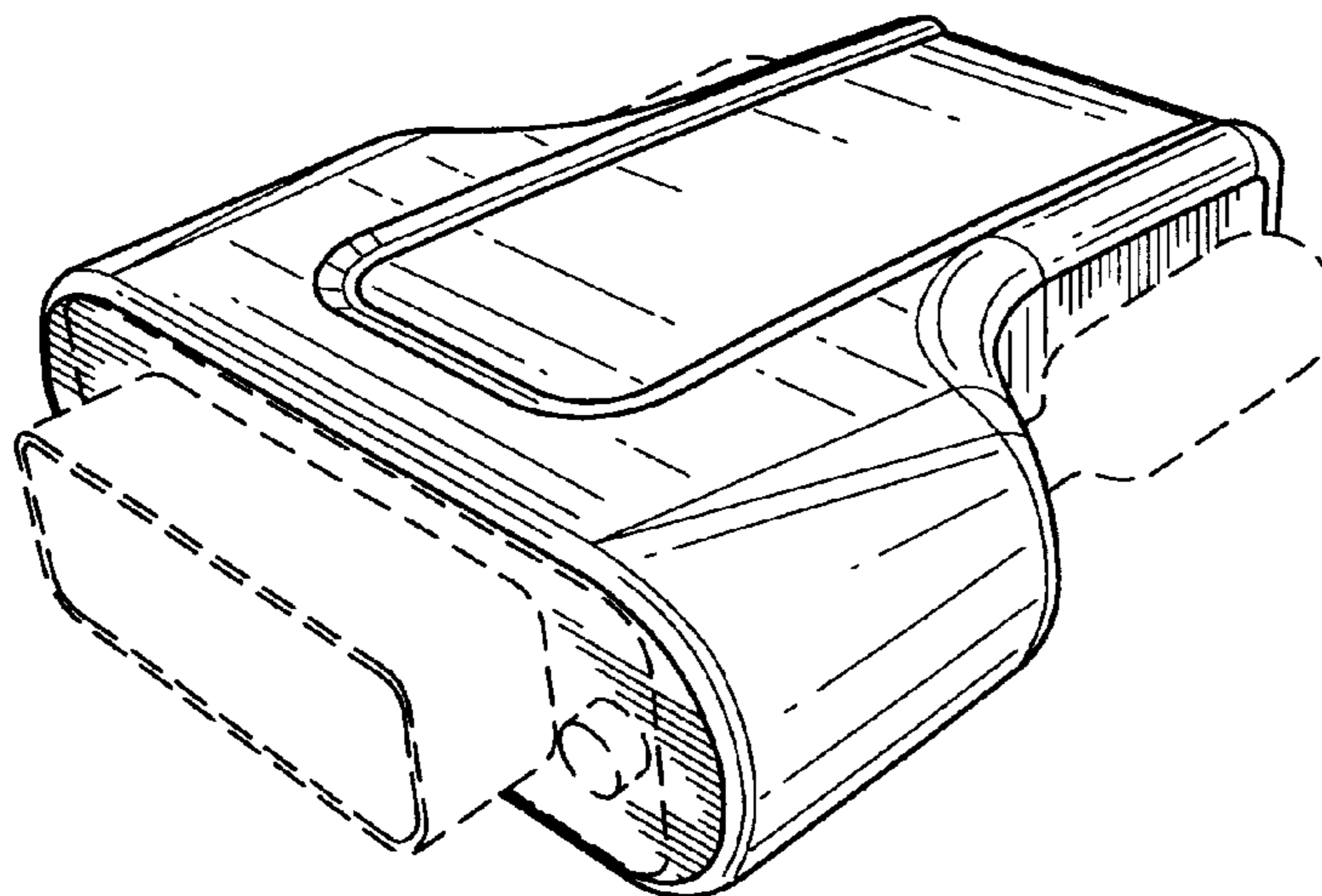
FIG. 1 is a top view of the adapter;
FIG. 2 is a bottom view thereof;
FIG. 3 is a front elevational view thereof;
FIG. 4 is a rear elevational view thereof;
FIG. 5 is a left side elevational view thereof;
FIG. 6 is a right side elevational view thereof;
FIG. 7 is a front, right, top perspective view thereof; and,
FIG. 8 is a rear, right, bottom perspective view thereof.
The broken lines in the drawings are for illustrative purposes
only and form no part of the claimed design.

1 Claim, 2 Drawing Sheets

(56) **References Cited**

U.S. PATENT DOCUMENTS

D396,689 S * 8/1998 Karten et al. D13/147
D406,819 S 3/1999 Taguchi
D409,573 S 5/1999 Shimojo et al.
D409,574 S 5/1999 Shimojo et al.
D417,654 S 12/1999 Lin et al.
D422,560 S 4/2000 Lok
D427,565 S 7/2000 Lok
6,139,365 A * 10/2000 Lok 439/607
6,217,364 B1 4/2001 Miskin et al.
D442,919 S * 5/2001 Milan D13/154
D443,862 S * 6/2001 Milan D13/154



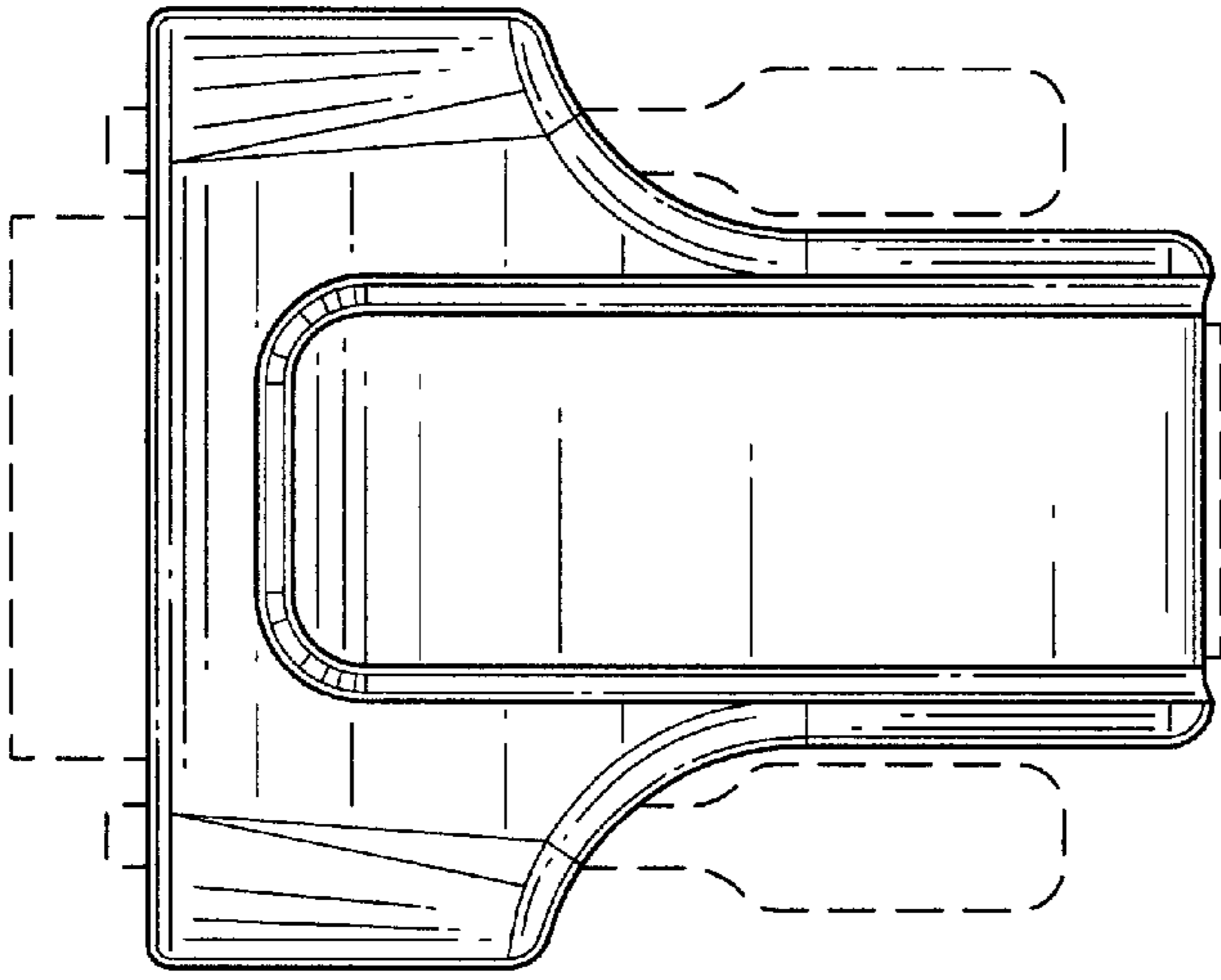


FIG. 2

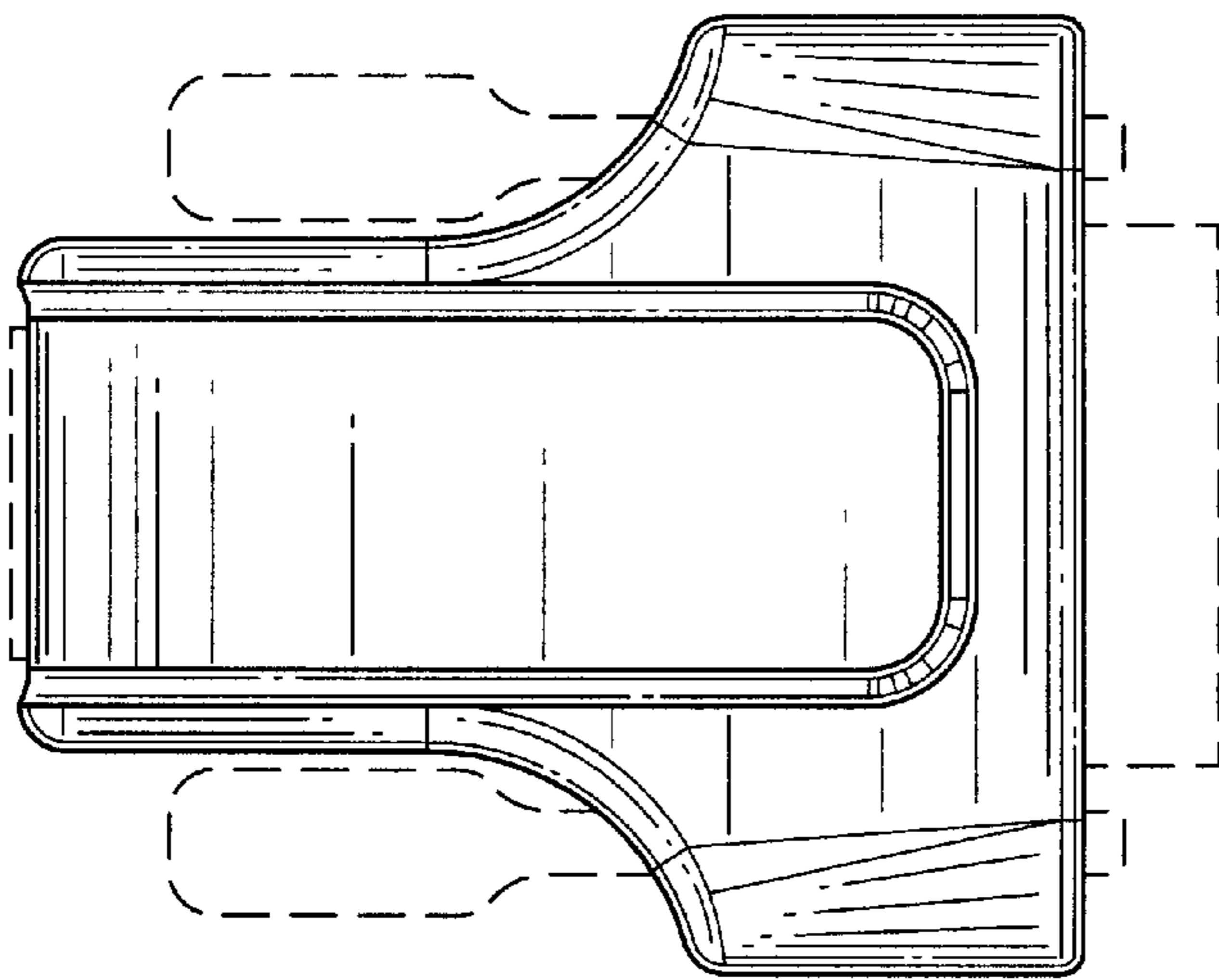


FIG. 1

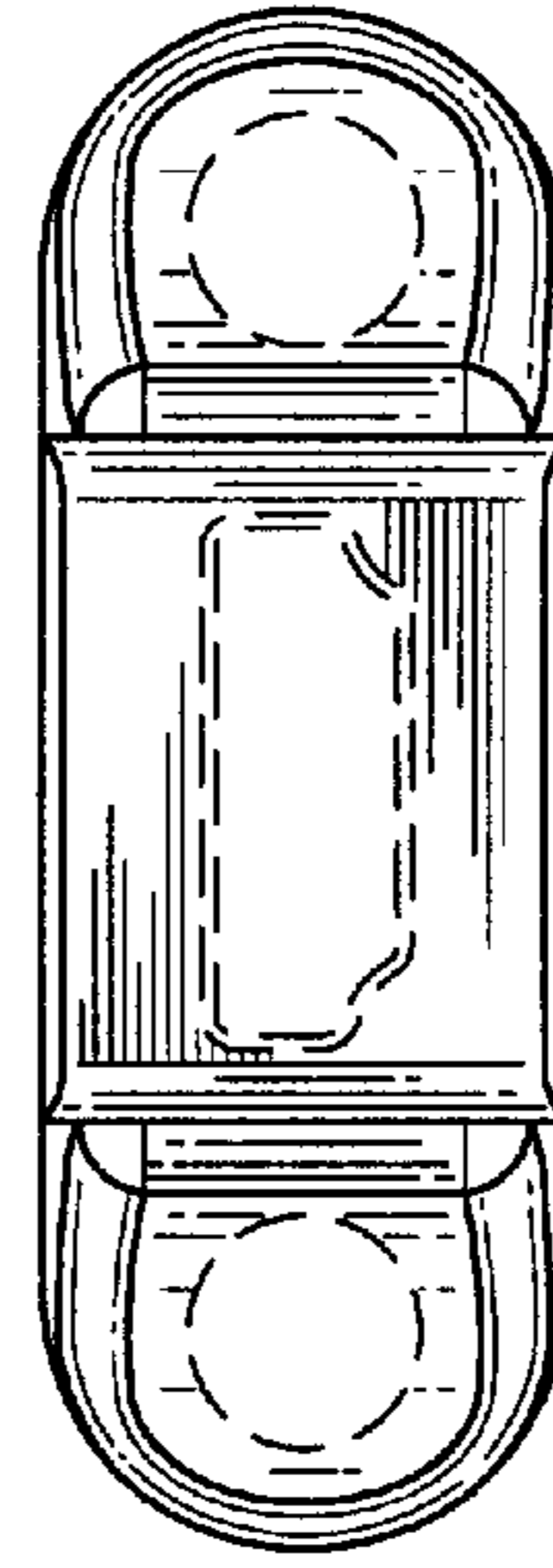


FIG. 4

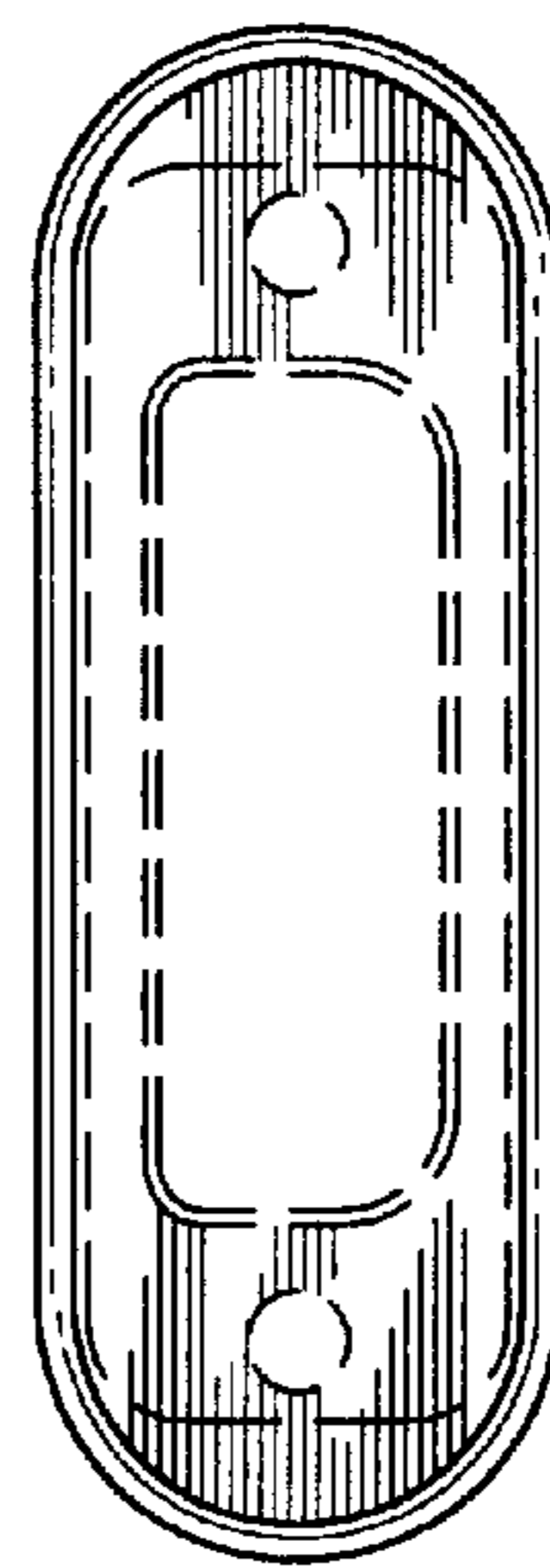


FIG. 3

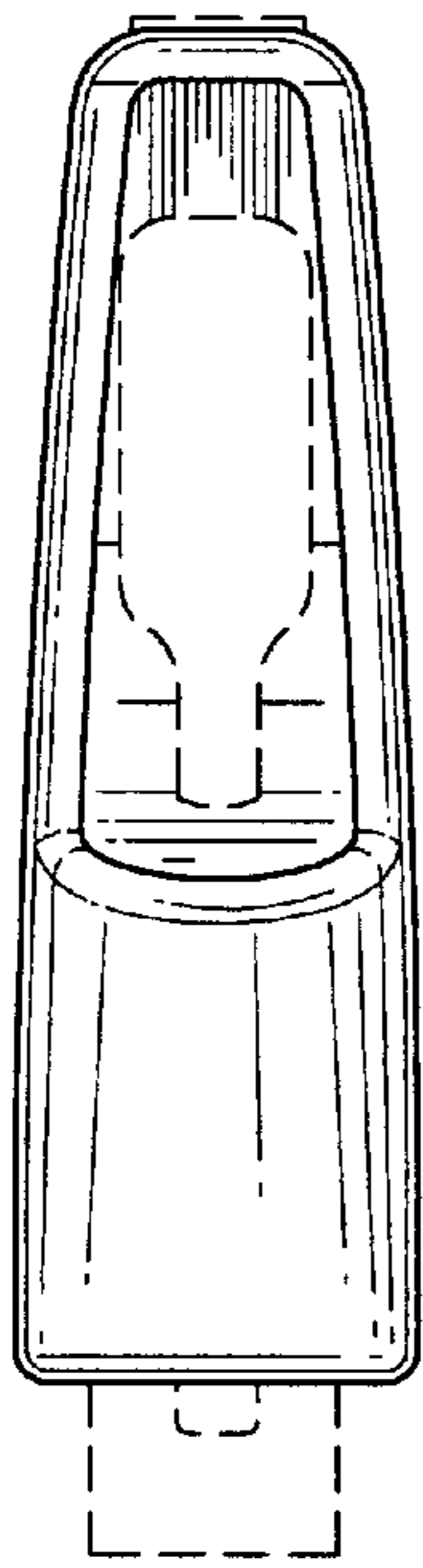


FIG. 5

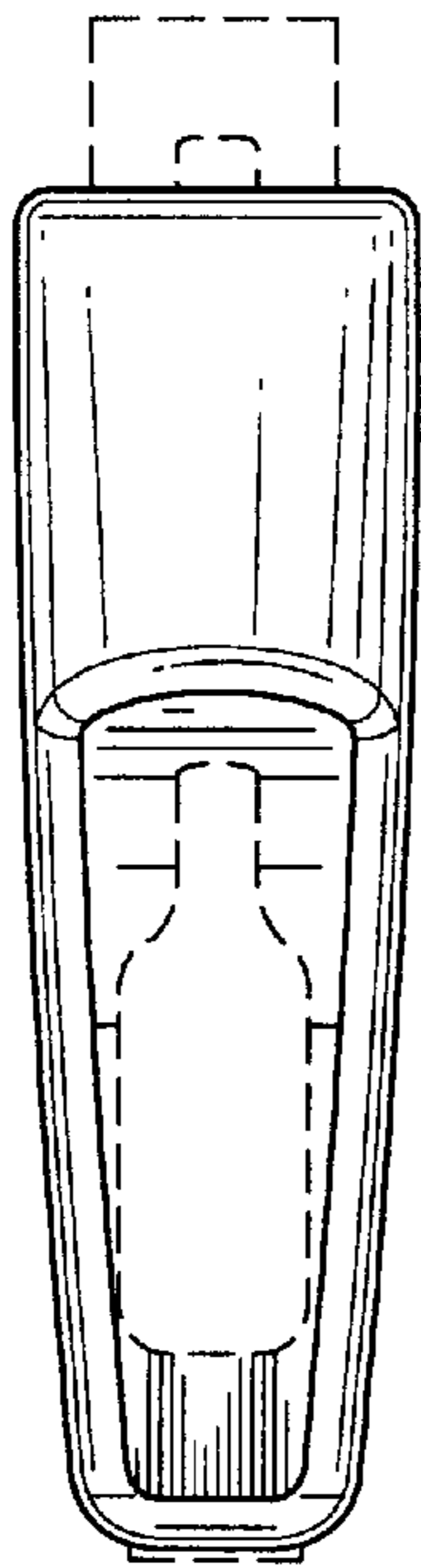


FIG. 6

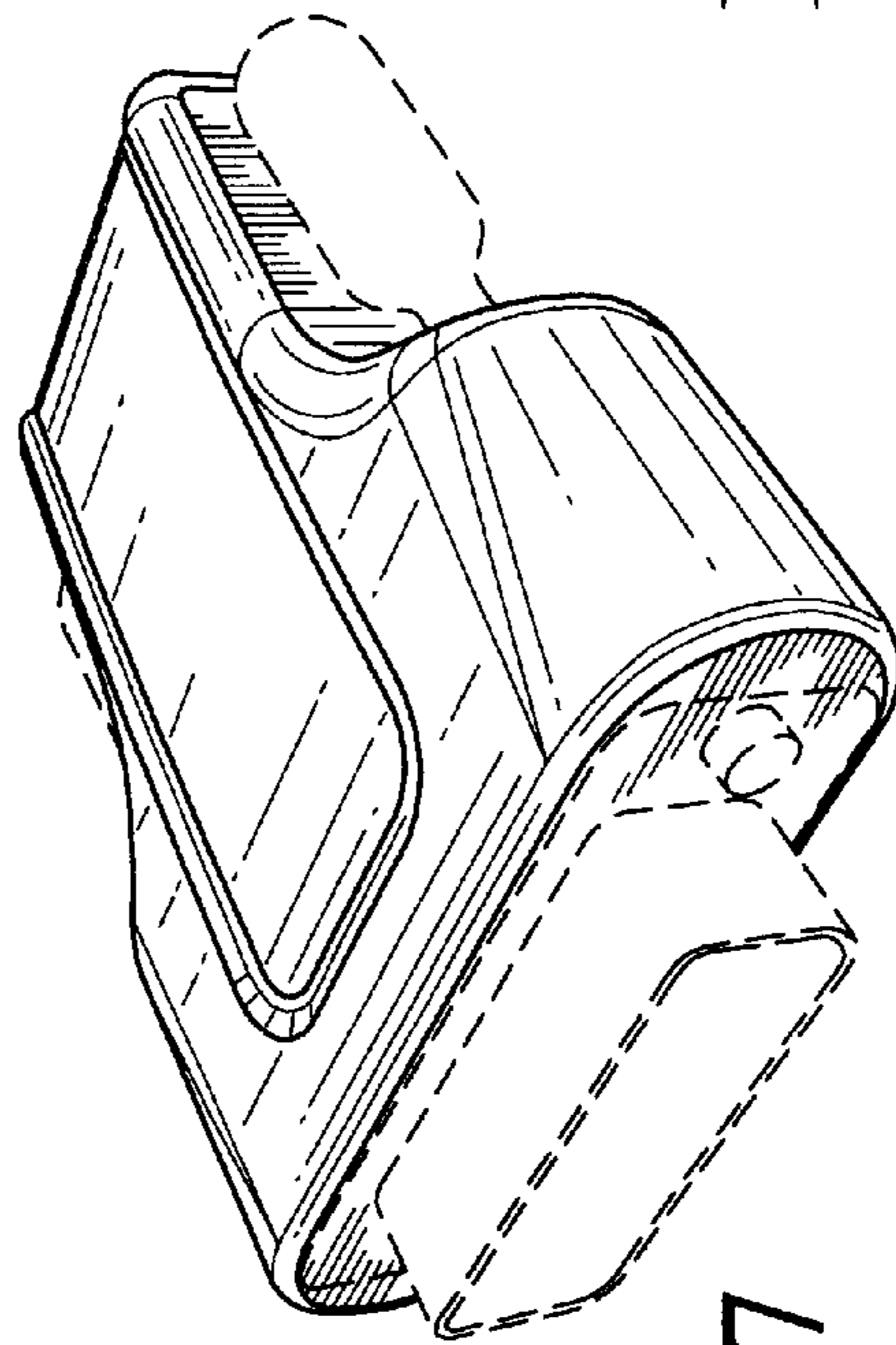


FIG. 7

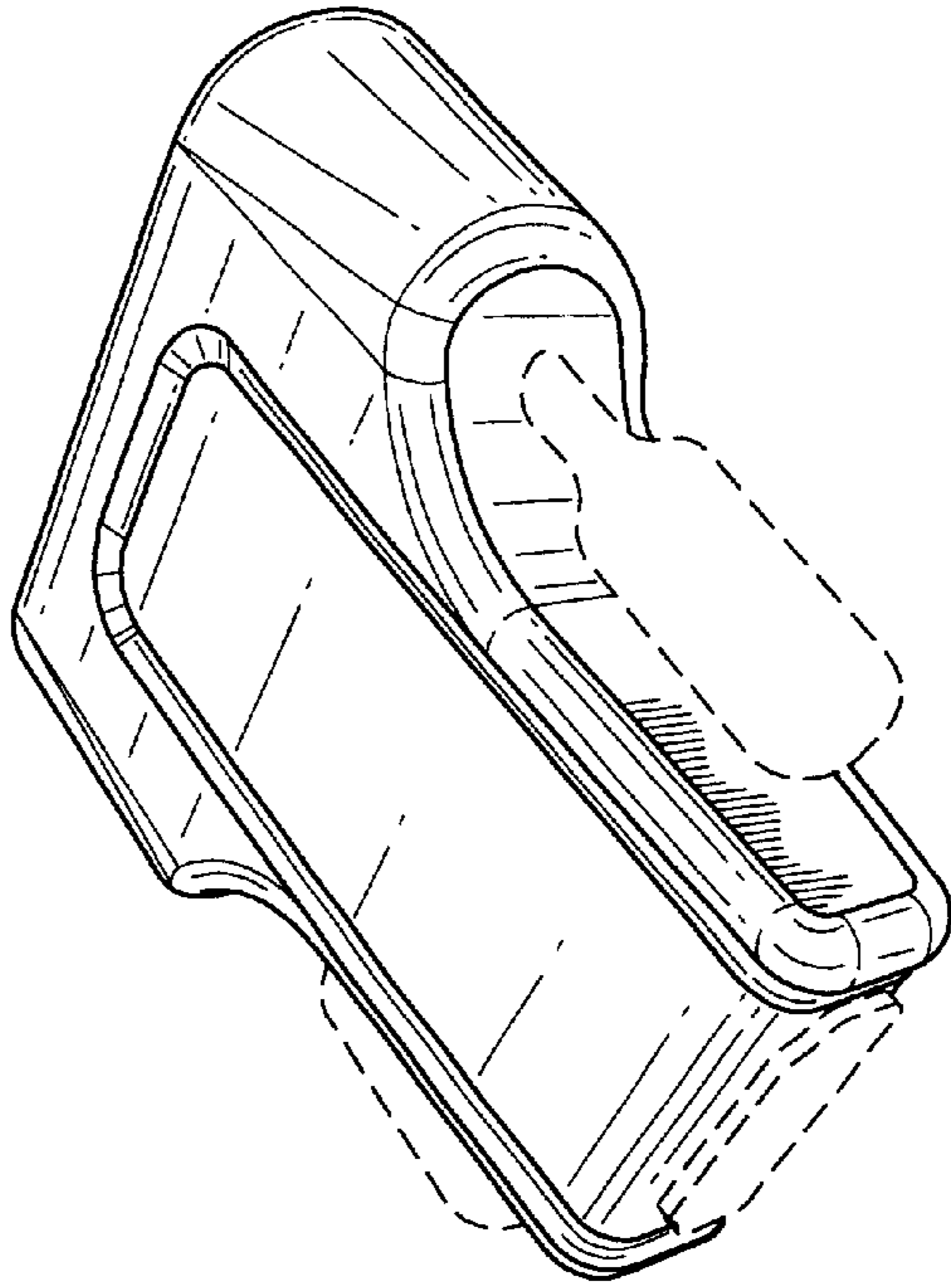


FIG. 8