



US00D519464S

(12) **United States Design Patent**  
**Suckle et al.**

(10) **Patent No.:** **US D519,464 S**

(45) **Date of Patent:** **\*\* Apr. 25, 2006**

(54) **CABLE HEAD**

D434,727 S \* 12/2000 Huang ..... D13/147  
6,231,393 B1 \* 5/2001 Lai ..... 439/610  
D502,924 S \* 3/2005 Sirichai et al. .... D13/154

(75) Inventors: **Mitchell Suckle**, Long Beach, CA  
(US); **Ernesto Quinteros**, Los Angeles,  
CA (US); **David Goetz**, Los Angeles,  
CA (US)

\* cited by examiner

*Primary Examiner*—Holly Baynham  
*Assistant Examiner*—Cynthia M. Chin

(73) Assignee: **Belkin Corporation**, Compton, CA  
(US)

(74) *Attorney, Agent, or Firm*—Bryan Cave LLP

(\*\*) Term: **14 Years**

(57) **CLAIM**

We claim the ornamental design for a cable head, as shown  
and described.

(21) Appl. No.: **29/219,085**

(22) Filed: **Dec. 10, 2004**

**DESCRIPTION**

(51) **LOC (8) Cl.** ..... **13-03**

(52) **U.S. Cl.** ..... **D13/156**

(58) **Field of Classification Search** ..... D13/133,  
D13/146, 147, 151, 154, 155, 156; D14/433;  
439/362, 365, 367, 476.1, 478, 527, 528,  
439/606, 731, 901

FIG. 1 is a top view of the cable head;  
FIG. 2 is a bottom view thereof;  
FIG. 3 is a front elevational view thereof;  
FIG. 4 is a rear elevational view thereof;  
FIG. 5 is a right side elevational view thereof;  
FIG. 6 is a left side elevational view thereof;  
FIG. 7 is a front, right, top perspective view thereof; and,  
FIG. 8 is a rear, left, bottom perspective view thereof.

See application file for complete search history.

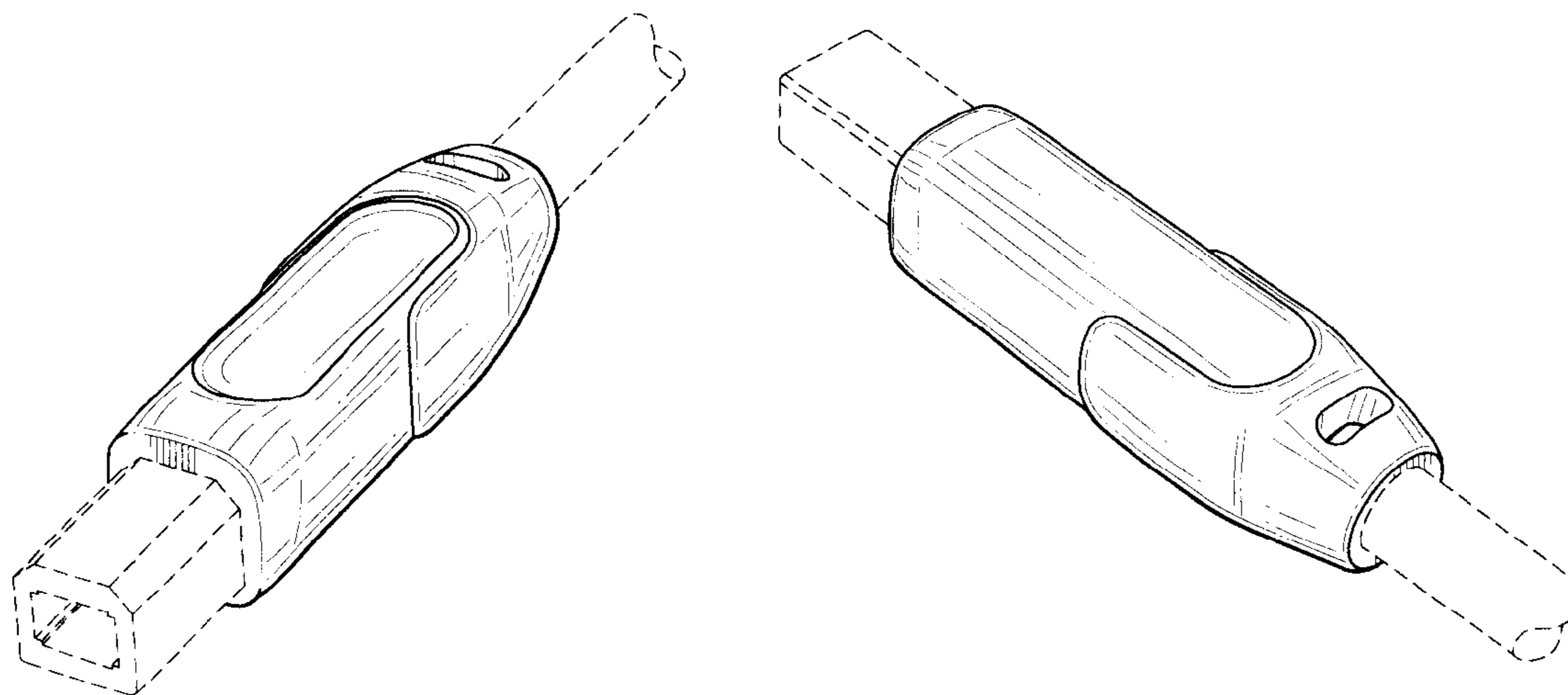
The broken lines in the drawings are for illustrative purposes  
only and form no part of the claimed design.

(56) **References Cited**

**U.S. PATENT DOCUMENTS**

D429,484 S \* 8/2000 Nishio et al. .... D13/147

**1 Claim, 1 Drawing Sheet**



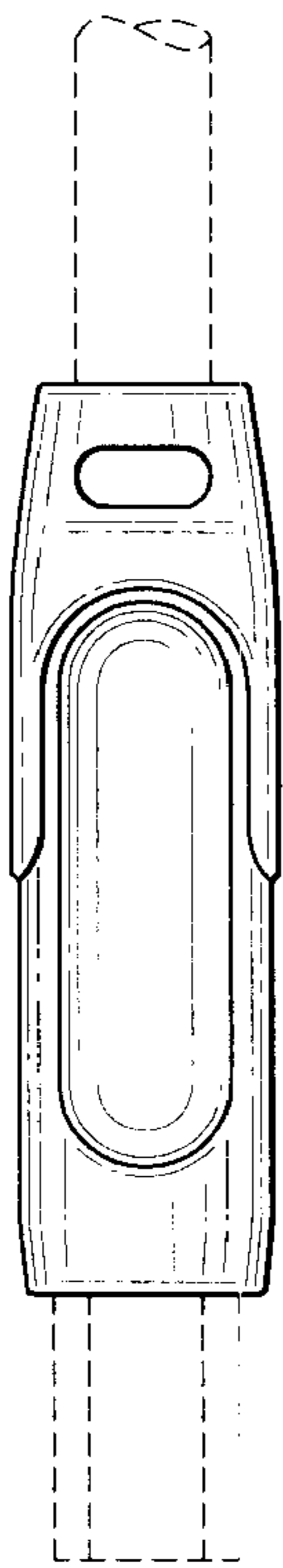


FIG. 1

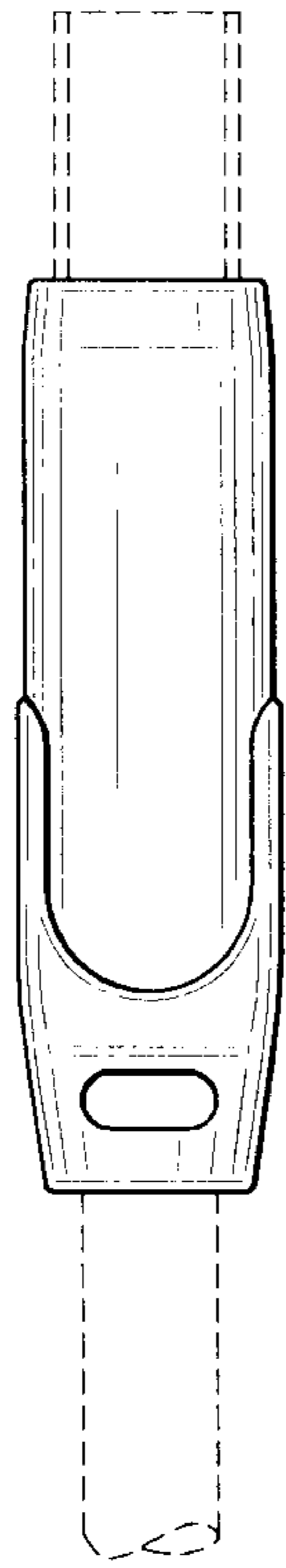


FIG. 2

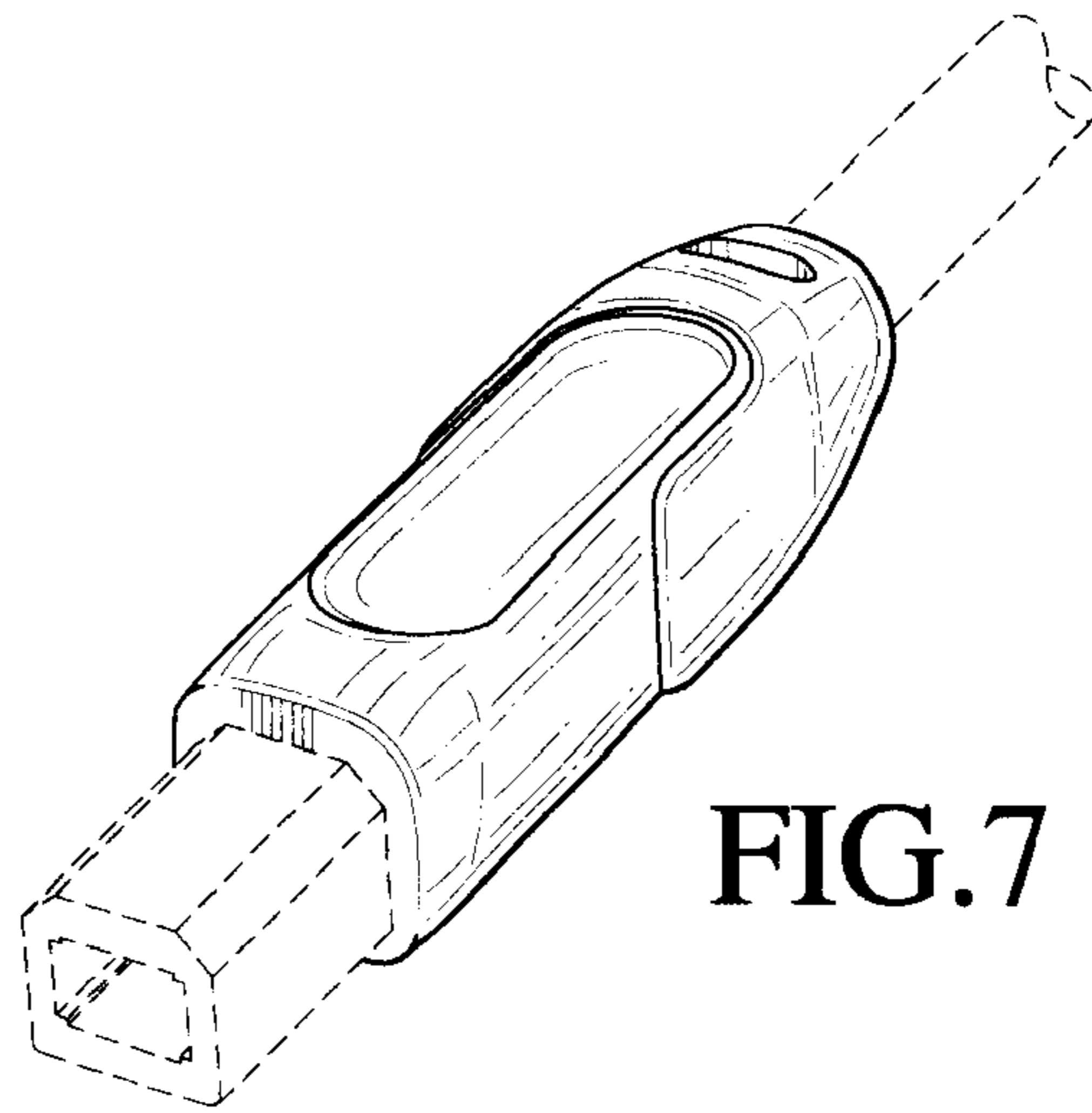


FIG. 7

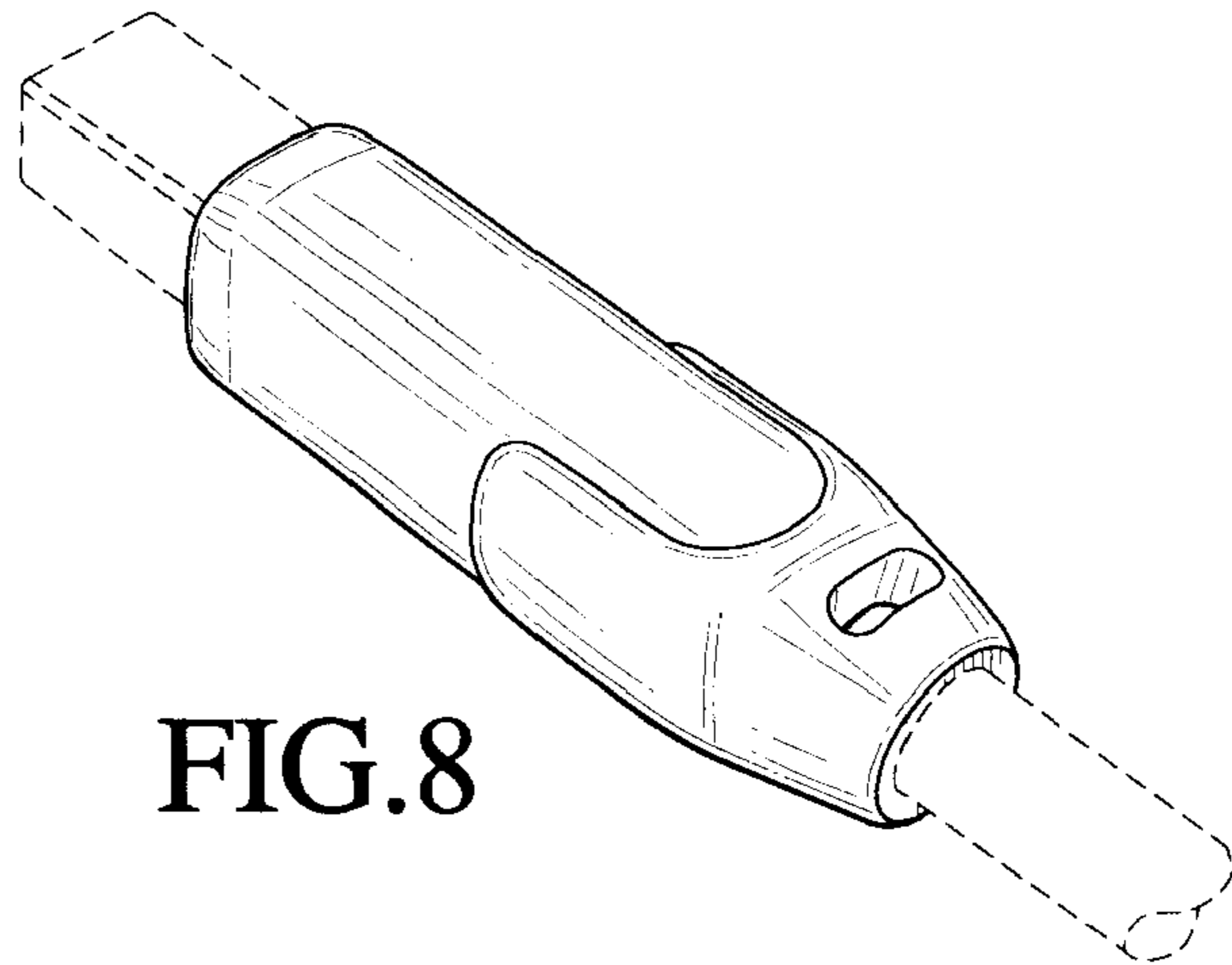


FIG. 8

FIG. 3

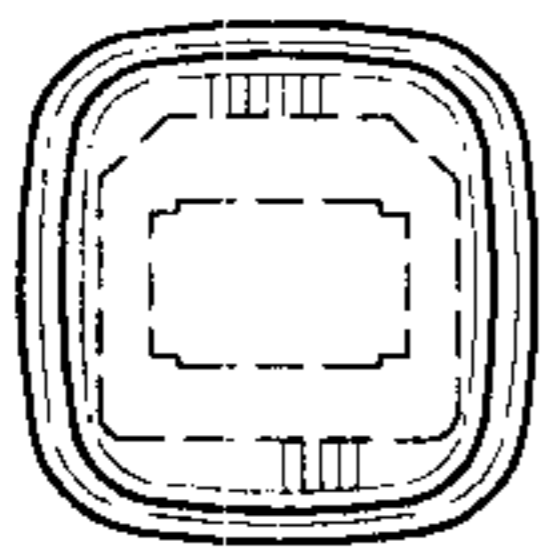


FIG. 5

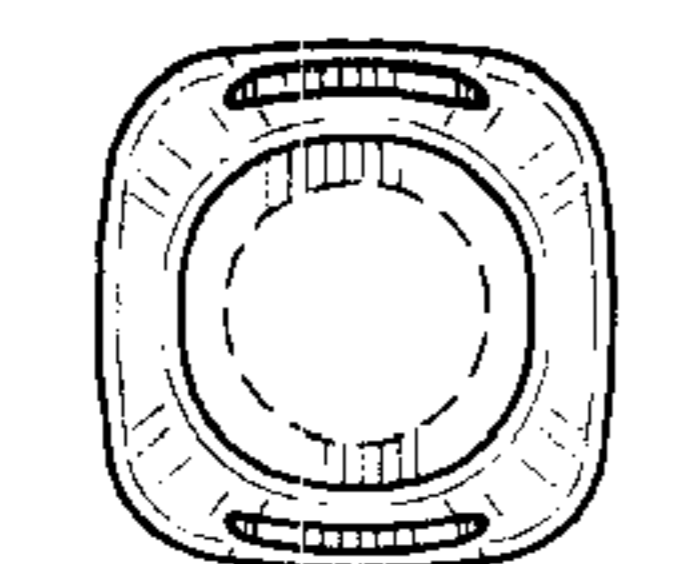
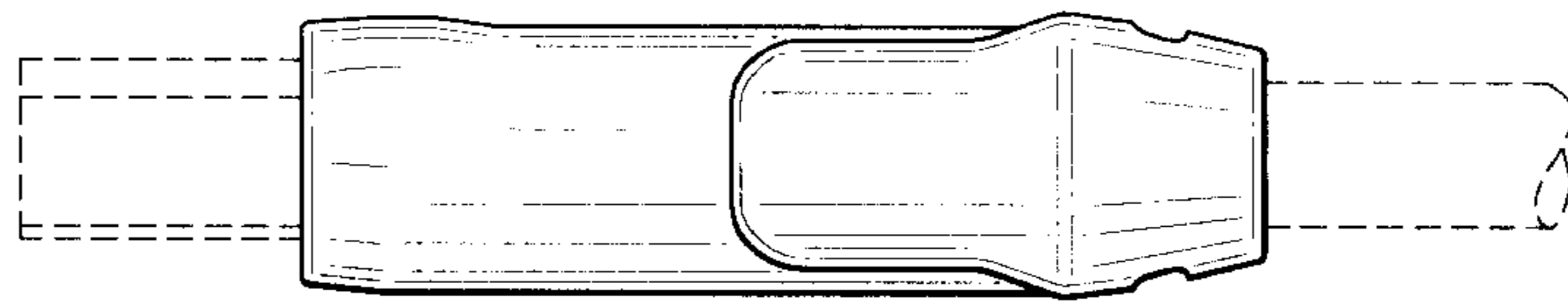


FIG. 4

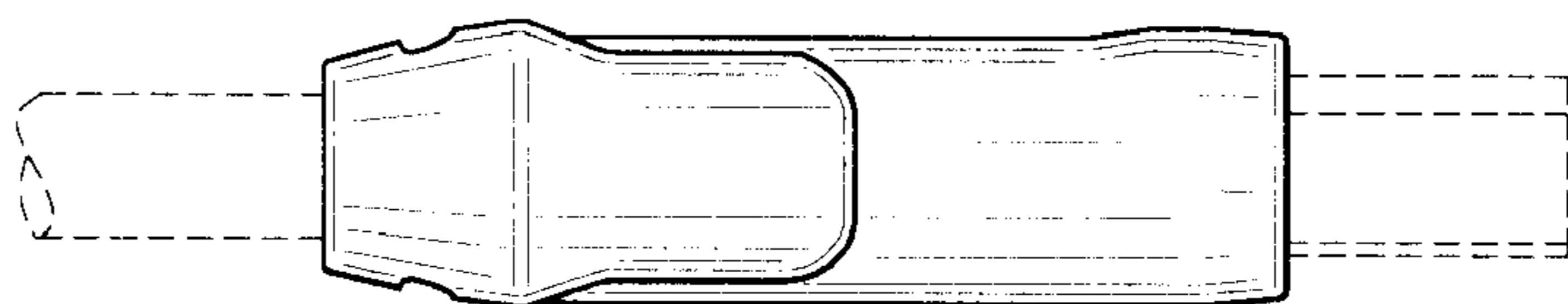


FIG. 6