



US00D519462S

(12) **United States Design Patent**
Kudo

(10) **Patent No.:** **US D519,462 S**

(45) **Date of Patent:** **** Apr. 25, 2006**

(54) **ELECTRICAL CONNECTOR HOUSING**

D479,199 S * 9/2003 Jones et al. D13/147
6,884,106 B1 * 4/2005 Shuman et al. 439/358
D508,677 S * 8/2005 Chau et al. D13/146

(75) Inventor: **Tsutomu Kudo**, Ibaragi (JP)

(73) Assignee: **Tyco Electronics AMP K.K.**,
Kanagawa-Ken (JP)

(**) Term: **14 Years**

(21) Appl. No.: **29/232,039**

(22) Filed: **Jun. 14, 2005**

(30) **Foreign Application Priority Data**

Dec. 15, 2004 (JP) 2004-038387

(51) **LOC (8) Cl.** **13-03**

(52) **U.S. Cl.** **D13/147**

(58) **Field of Classification Search** D13/133,
D13/146-147, 154, 184, 199; 439/247-248,
439/350, 352, 354, 357, 374, 489, 680
See application file for complete search history.

(56) **References Cited**

U.S. PATENT DOCUMENTS

D196,111 S * 8/1963 Krehbiel et al. D13/147
D210,533 S * 3/1968 Pauza D13/147
D316,703 S * 5/1991 Eto et al. D13/147
D322,956 S * 1/1992 Takenouchi et al. D13/146
5,628,648 A * 5/1997 Higgins et al. 439/489
5,651,697 A * 7/1997 Cinquegrani et al. 439/557
D410,629 S * 6/1999 Bandura et al. D13/147
6,428,346 B1 * 8/2002 Torii 439/489

OTHER PUBLICATIONS

AMP Representative Terminals and Connectors, issued in Aug. 1994, Wire to Board Connectors/ D-3000 Series, pp. 480, 496 and 504 (5 pages).

* cited by examiner

Primary Examiner—Prabhakar Deshmukh

Assistant Examiner—Daniel Bui

(74) *Attorney, Agent, or Firm*—Barley Snyder LLC

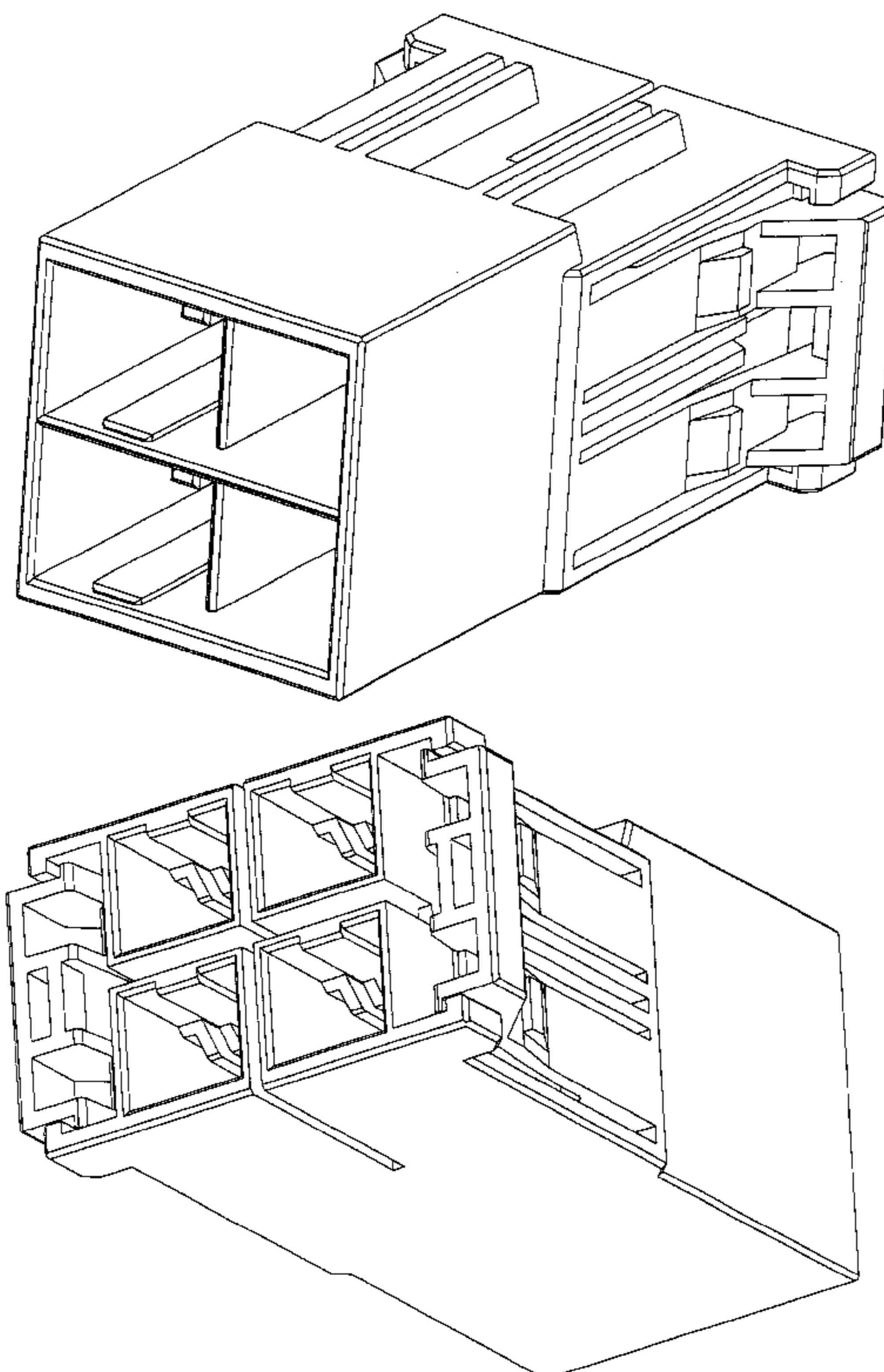
(57) **CLAIM**

The ornamental design for an electrical connector housing, as shown and described.

DESCRIPTION

FIG. 1 is a front elevation view of an electrical connector housing, showing my new design;
FIG. 2 is a top plan view thereof;
FIG. 3 is a bottom plan view thereof;
FIG. 4 is a right side elevation view thereof;
FIG. 5 is a rear elevation view thereof;
FIG. 6 is a perspective view from a front, top and right side thereof; and,
FIG. 7 is a perspective view from a rear, bottom and left side thereof.

1 Claim, 6 Drawing Sheets



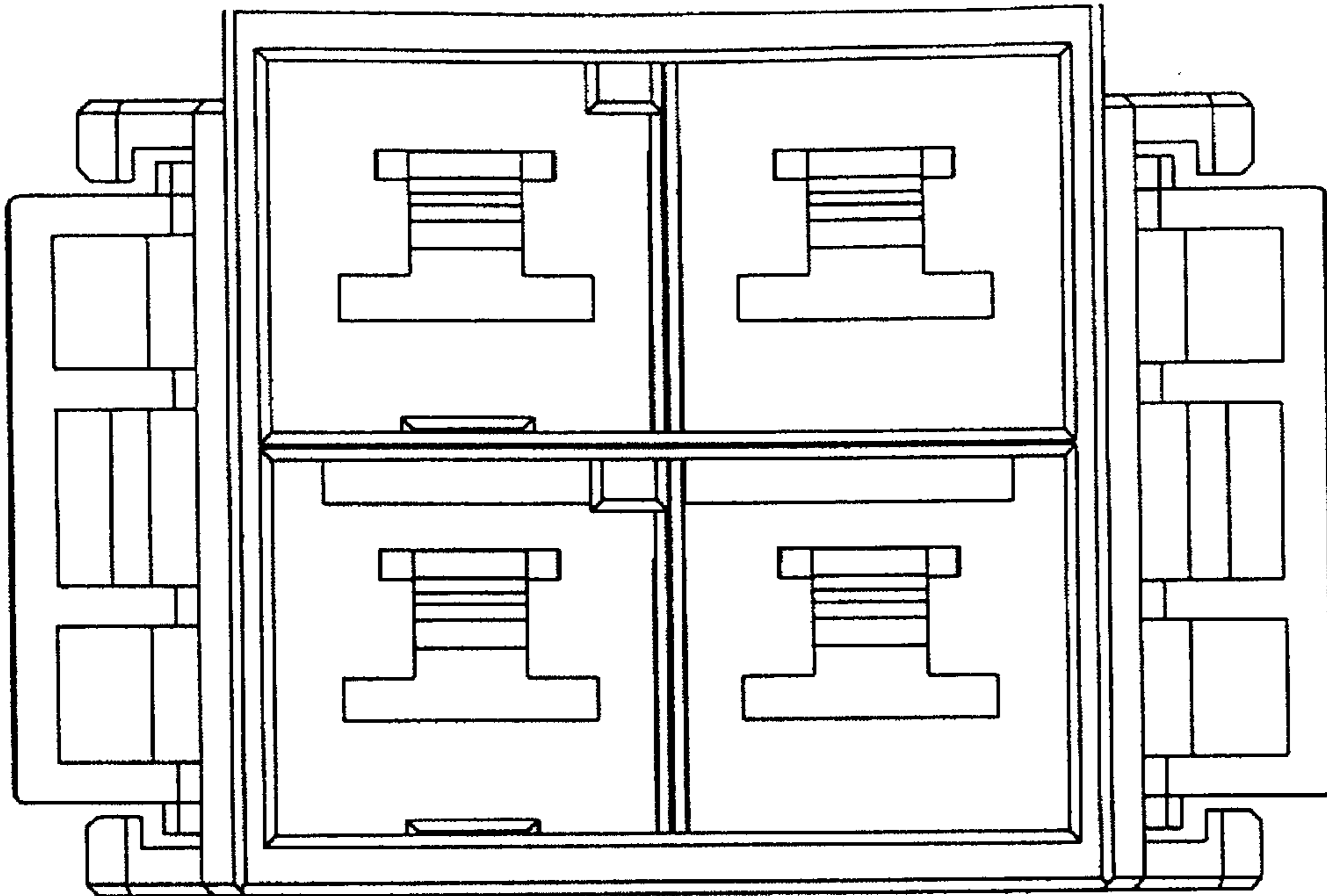


FIG. 1

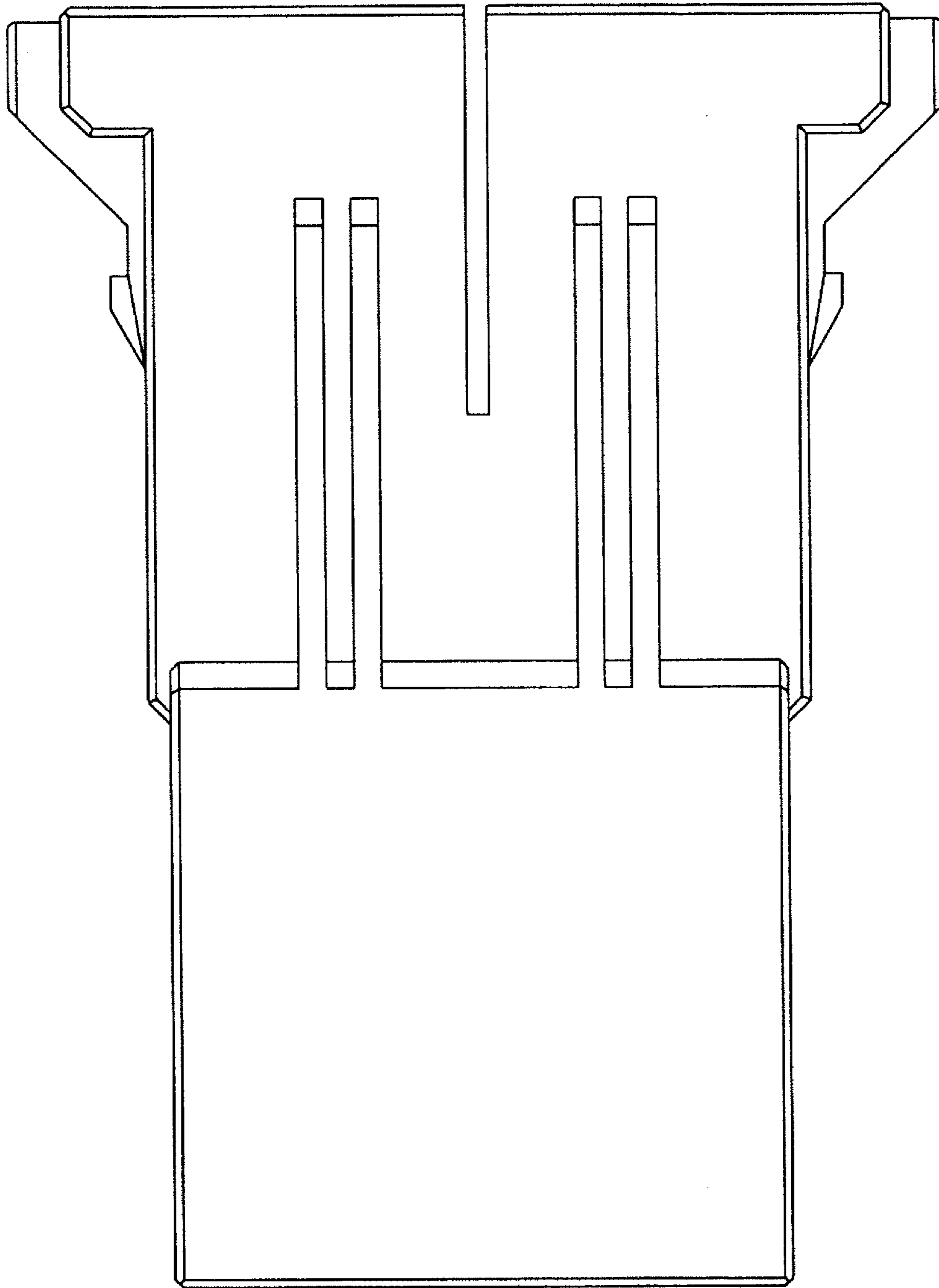


FIG. 2

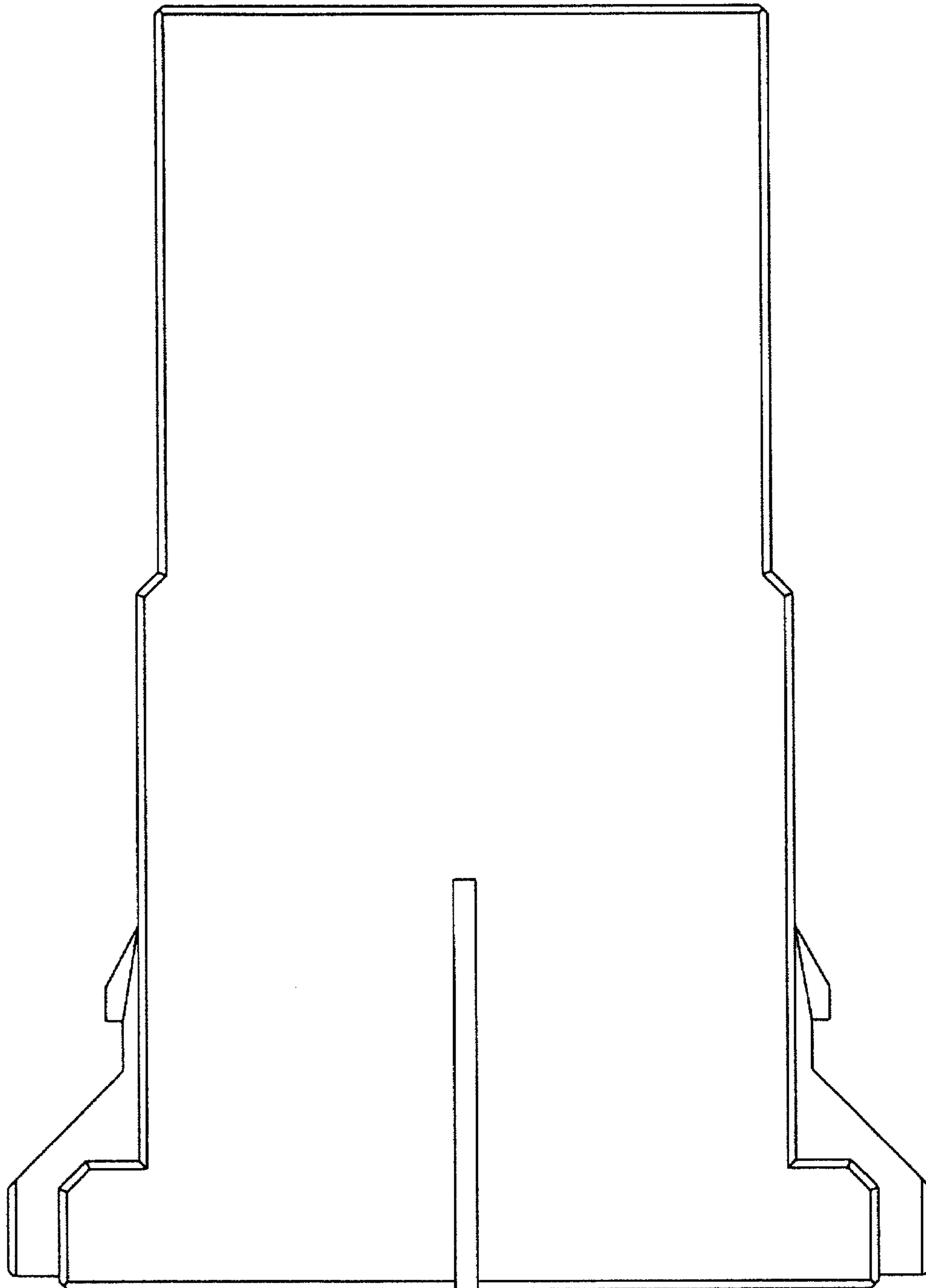


FIG. 3

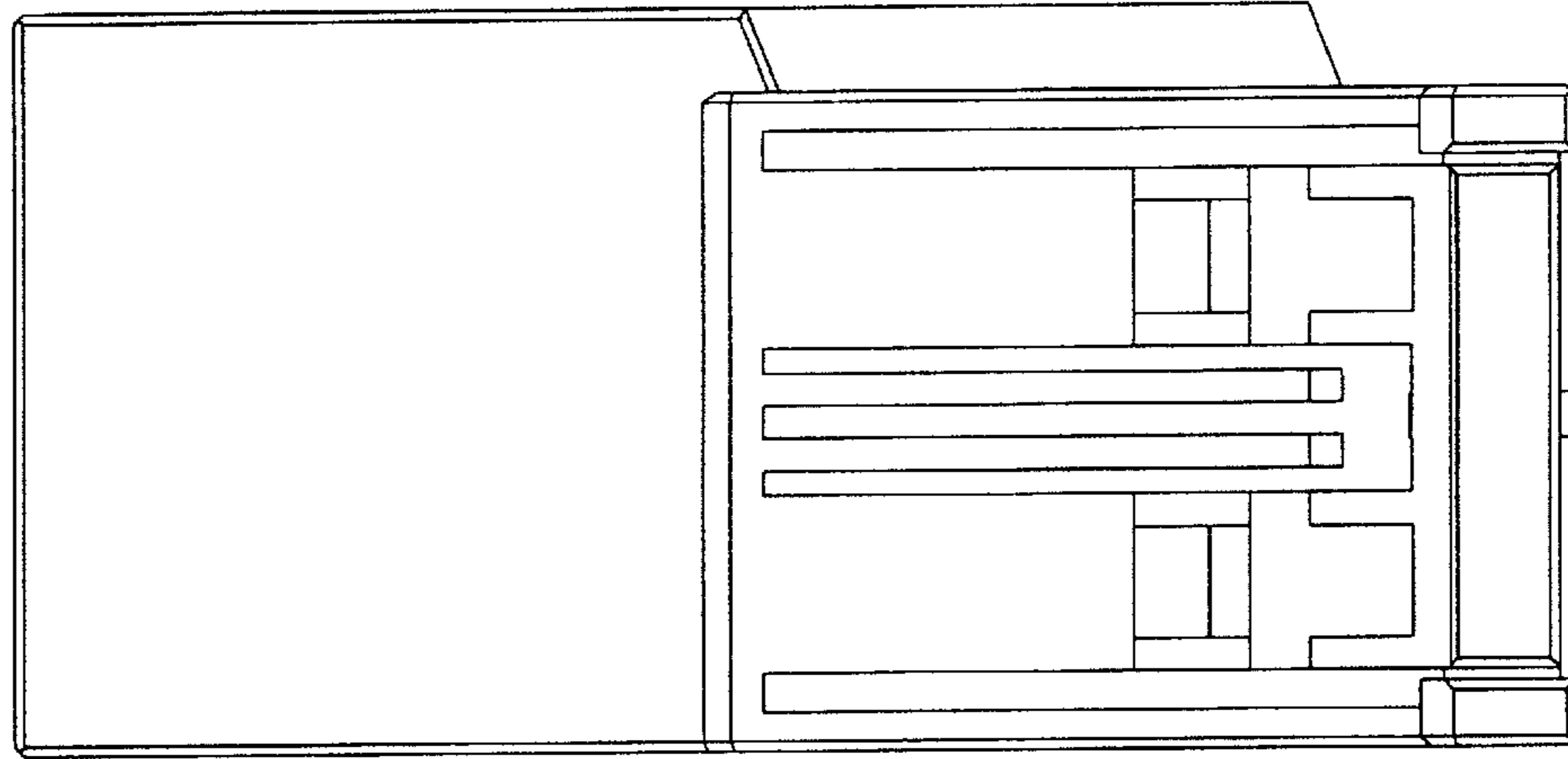


FIG. 4

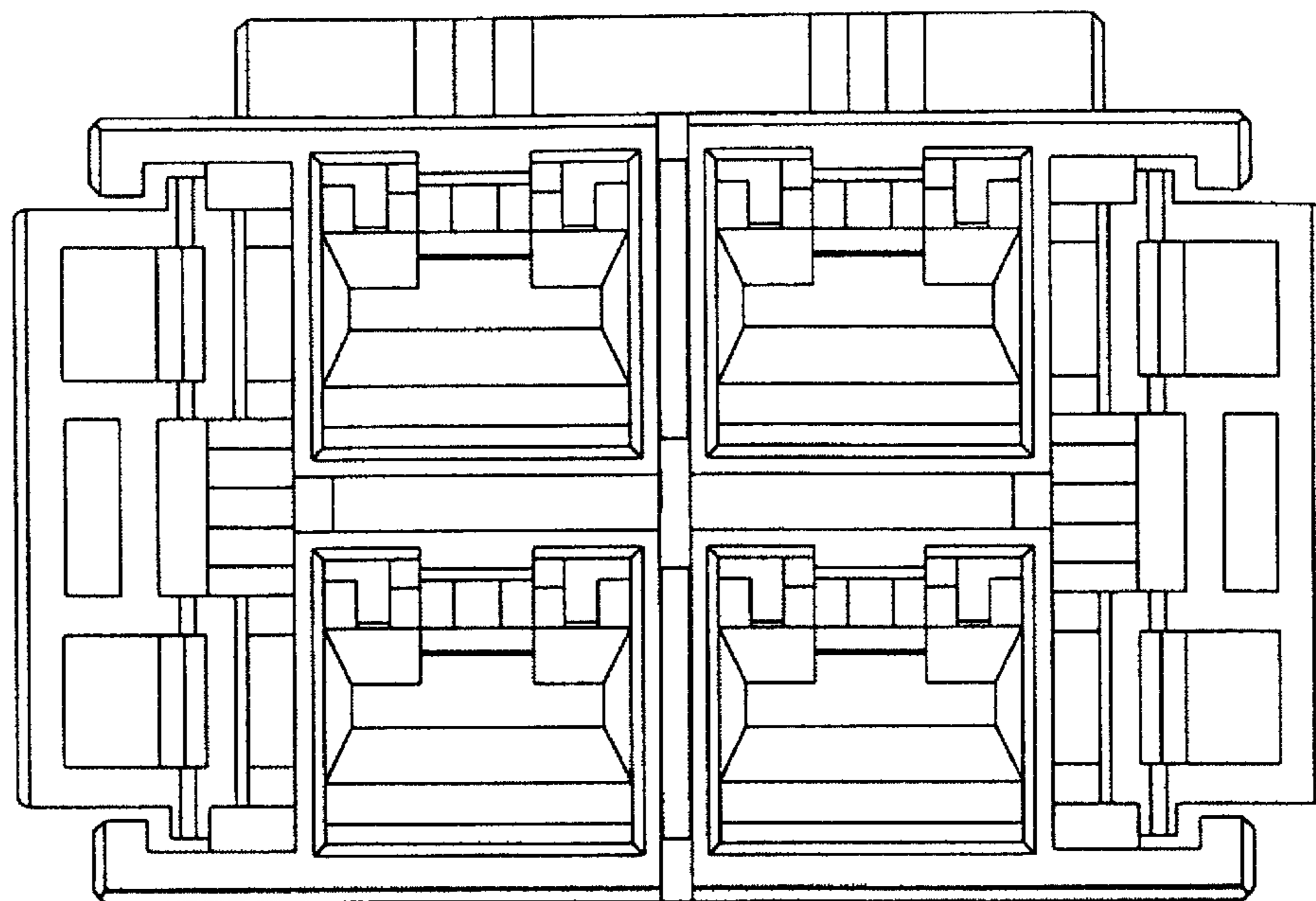


FIG. 5

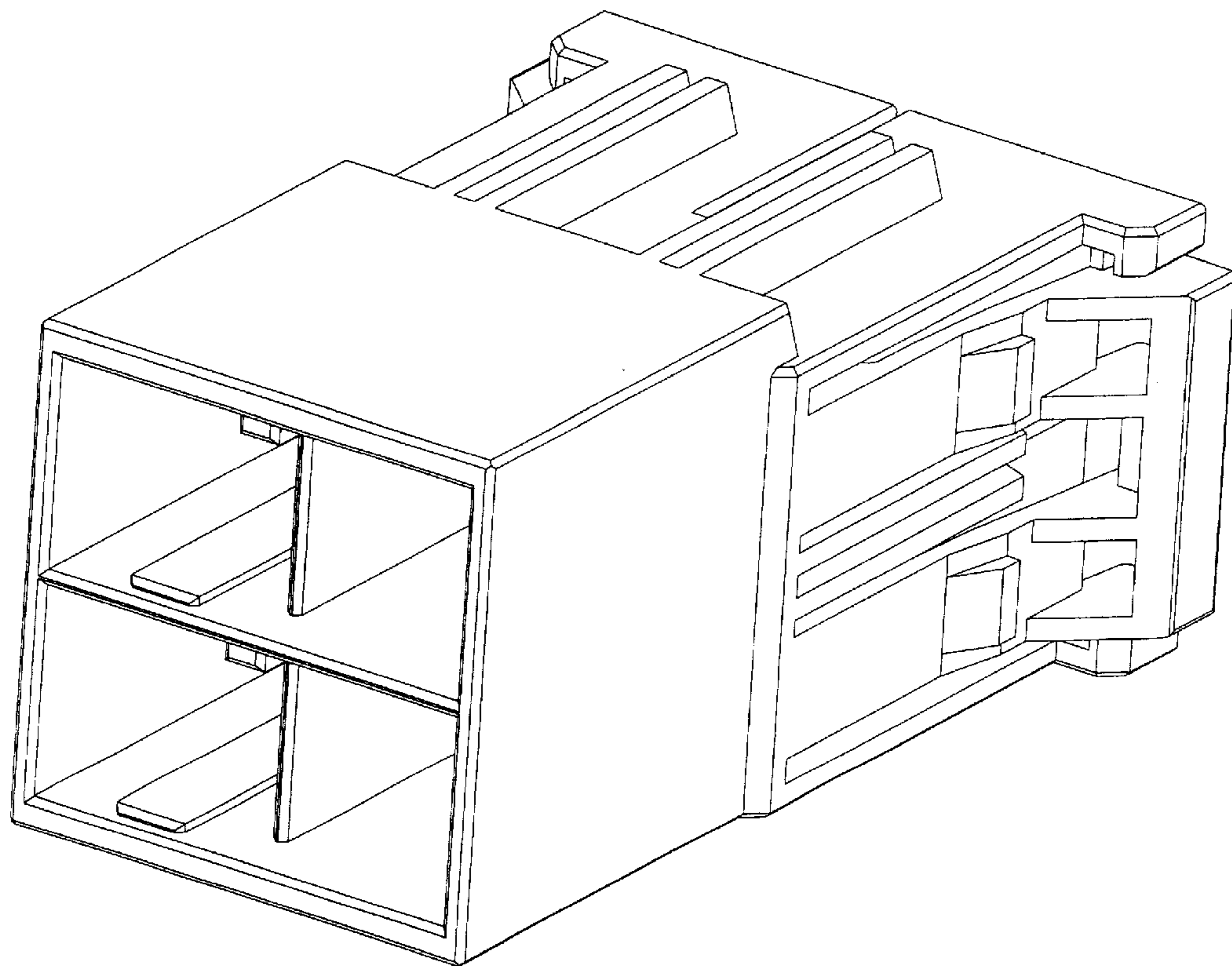


FIG. 6

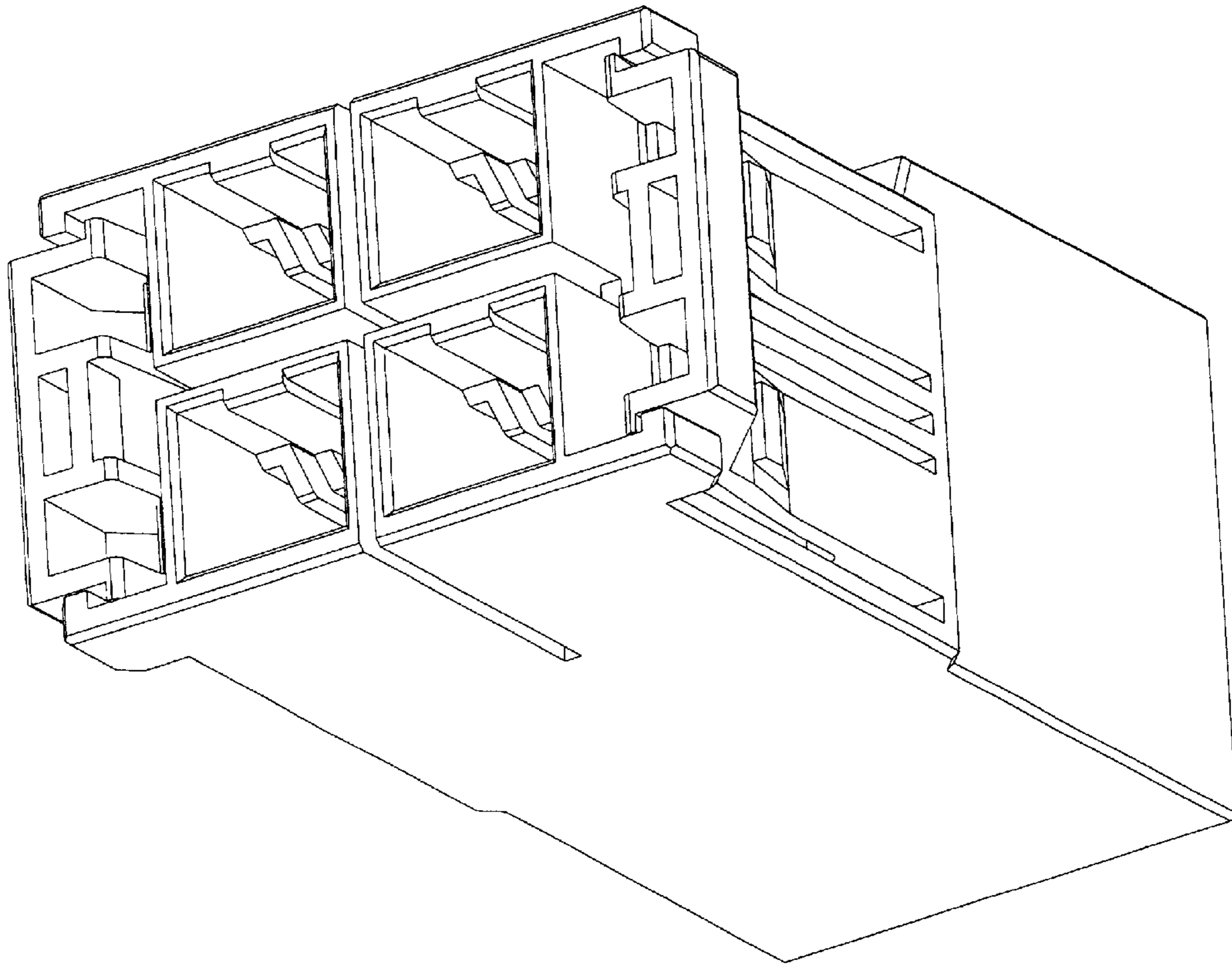


FIG. 7