



US00D519459S

(12) **United States Design Patent**
Wang

(10) **Patent No.:** **US D519,459 S**

(45) **Date of Patent:** **** Apr. 25, 2006**

(54) **ELECTRICAL CONNECTOR**

(75) Inventor: **Wei Che Wang**, Tu-chen (TW)

(73) Assignee: **Hon Hai Precision Ind. Co., Ltd.**,
Taipei Hsien (TW)

(**) Term: **14 Years**

(21) Appl. No.: **29/218,126**

(22) Filed: **Nov. 29, 2004**

(30) **Foreign Application Priority Data**

Jun. 3, 2004 (CN) 2004300575805

(51) **LOC (8) Cl.** **13-03**

(52) **U.S. Cl.** **D13/147**

(58) **Field of Classification Search** D13/133,
D13/146-147, 184, 199; 439/79-83, 95,
439/101, 108, 181, 607-610, 620
See application file for complete search history.

(56) **References Cited**

U.S. PATENT DOCUMENTS

- D390,828 S * 2/1998 Aramaki D13/147
- D407,690 S * 4/1999 Lai et al. D13/147
- D412,884 S * 8/1999 Wu D13/147
- D434,383 S * 11/2000 Hu et al. D13/147
- D455,719 S * 4/2002 Wu D13/147
- D463,374 S * 9/2002 Homma et al. D13/147
- 6,634,894 B1 * 10/2003 Ko 439/108

- 6,663,402 B1 * 12/2003 Yu 439/108
- D489,687 S * 5/2004 Kawase et al. D13/147
- D508,023 S * 8/2005 Obikane et al. D13/147

* cited by examiner

Primary Examiner—Stella Reid

Assistant Examiner—Daniel Bui

(74) *Attorney, Agent, or Firm*—Wei Te Chung

(57) **CLAIM**

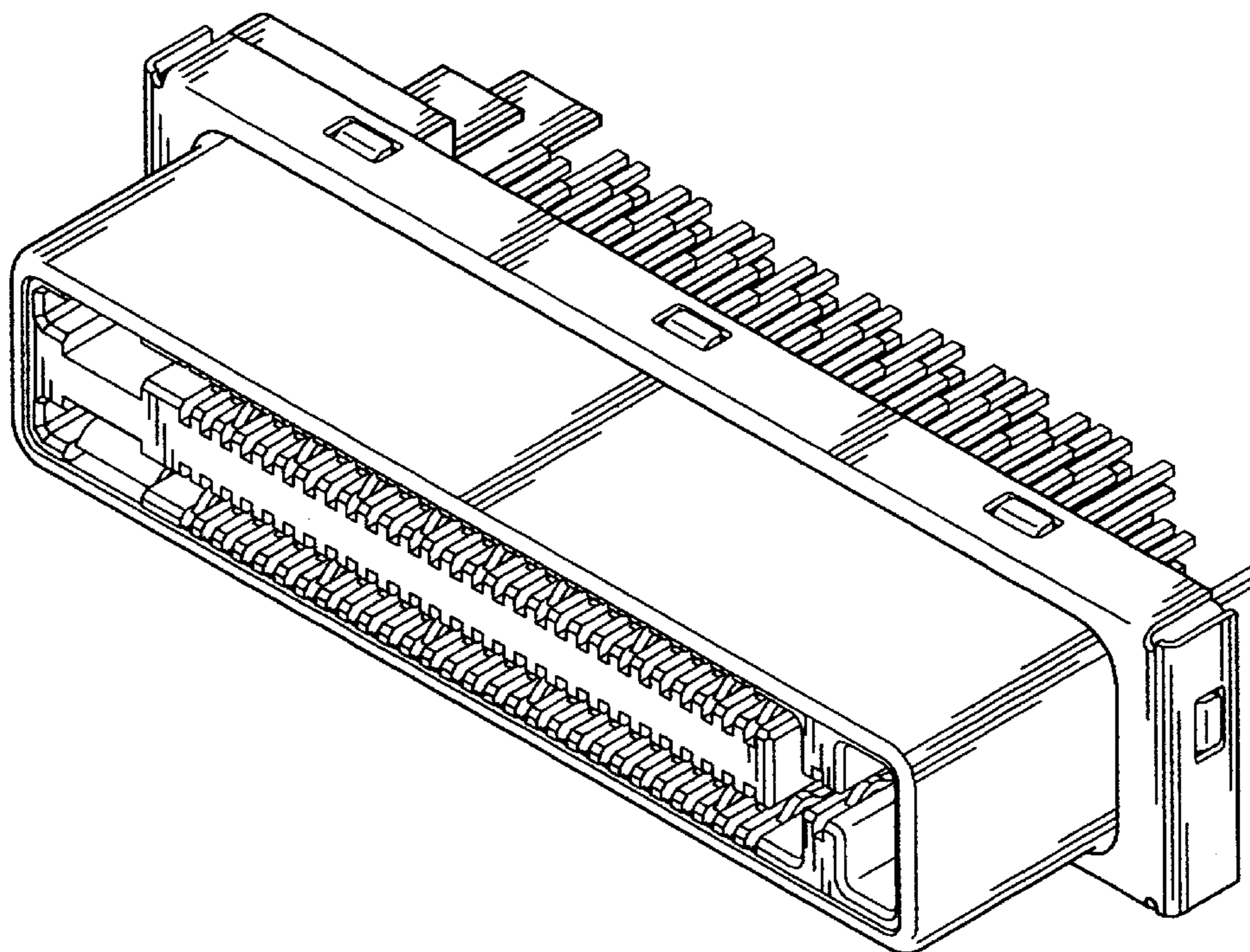
The ornamental design for an electrical connector, as shown and described.

DESCRIPTION

FIG. 1 is a front, top and right side perspective view of an electrical connector showing our new design; FIG. 2 is a front elevational view of FIG. 1; FIG. 3 is a rear elevational view of FIG. 1; FIG. 4 is a left side elevational view of FIG. 1; FIG. 5 is a right side elevational view of FIG. 1; FIG. 6 is a top plan view of FIG. 1; and, FIG. 7 is a bottom plan view of FIG. 1.

The related contacts disposed in the tongue portion and in the upper wall and the bottom wall are similar to those of the conventional standard connector while the guiding post receiving cavity located at the right side of the tongue portion in the mating port provides better orientation, identification and the corresponding guiding and retention thereof in comparison with the conventional standard one.

1 Claim, 6 Drawing Sheets



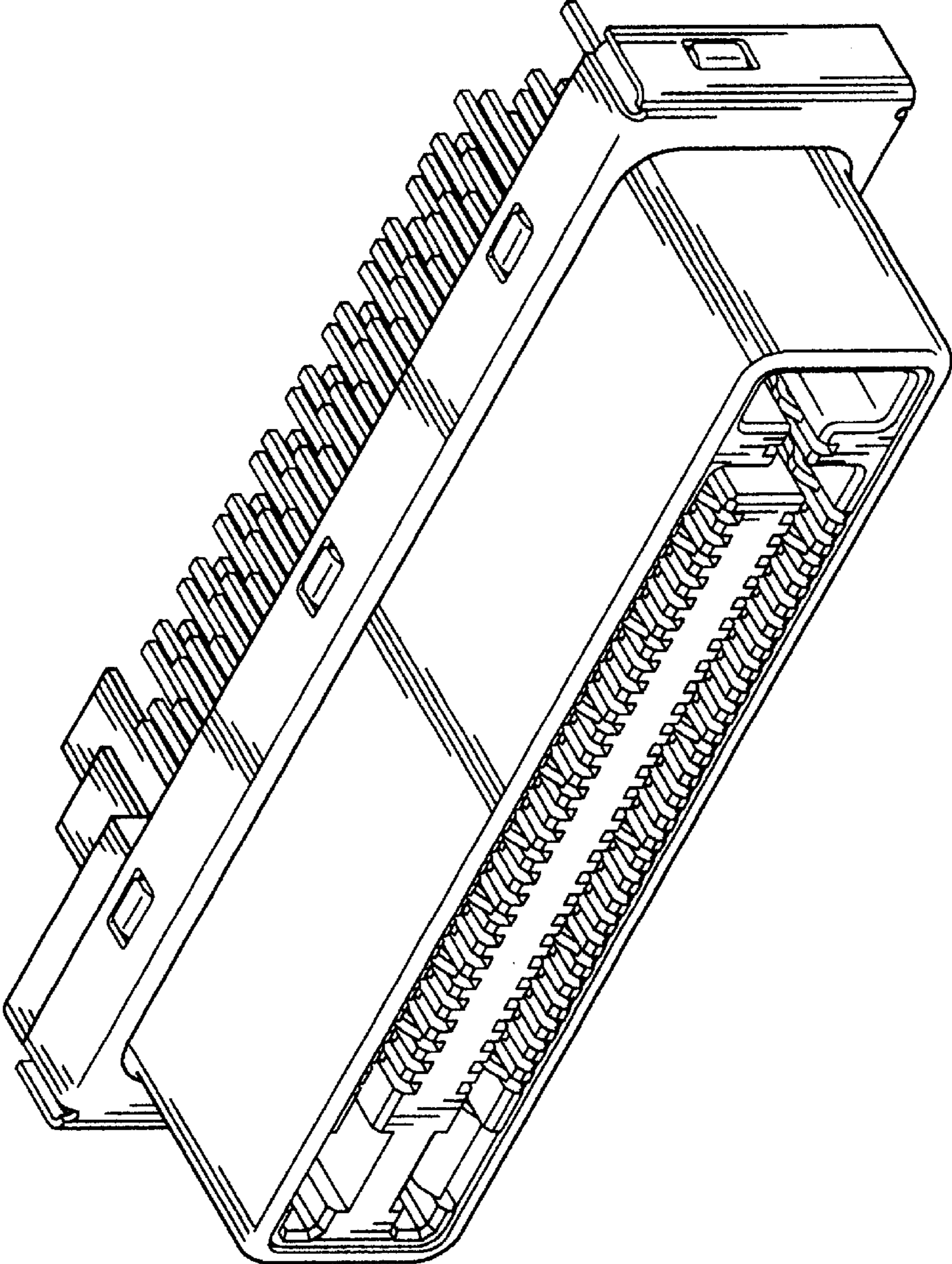


FIG. 1

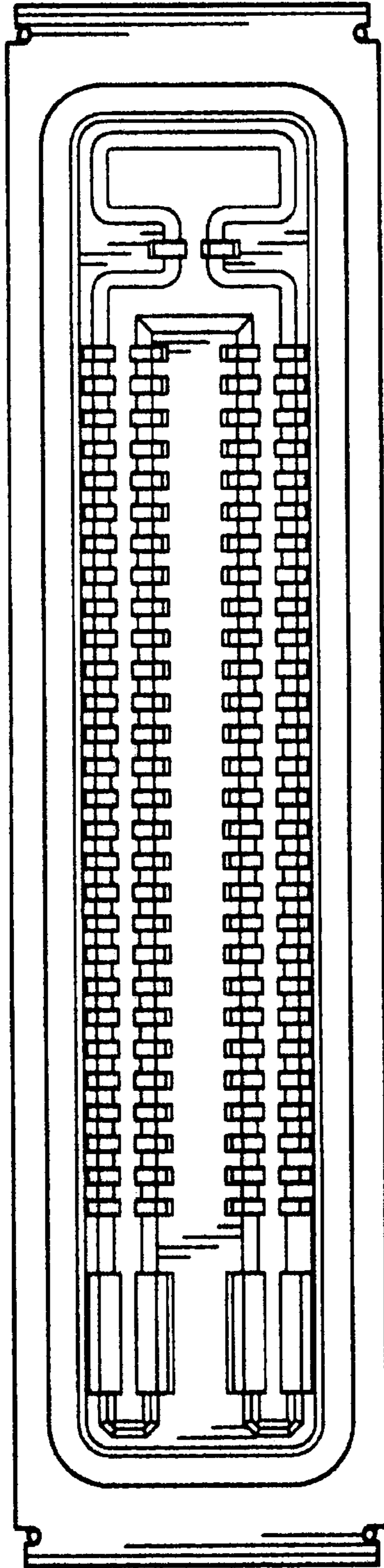


FIG. 2

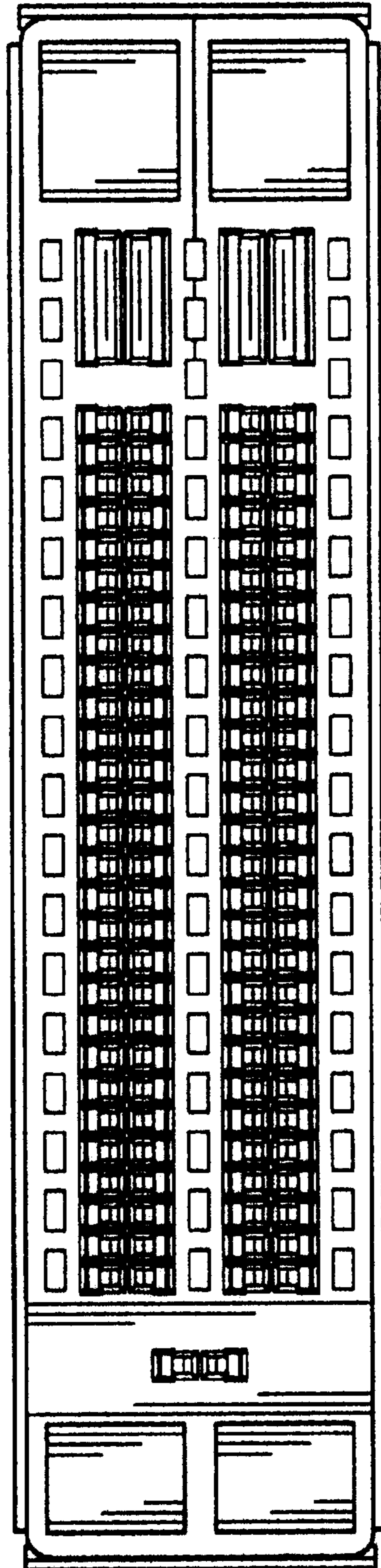


FIG. 3

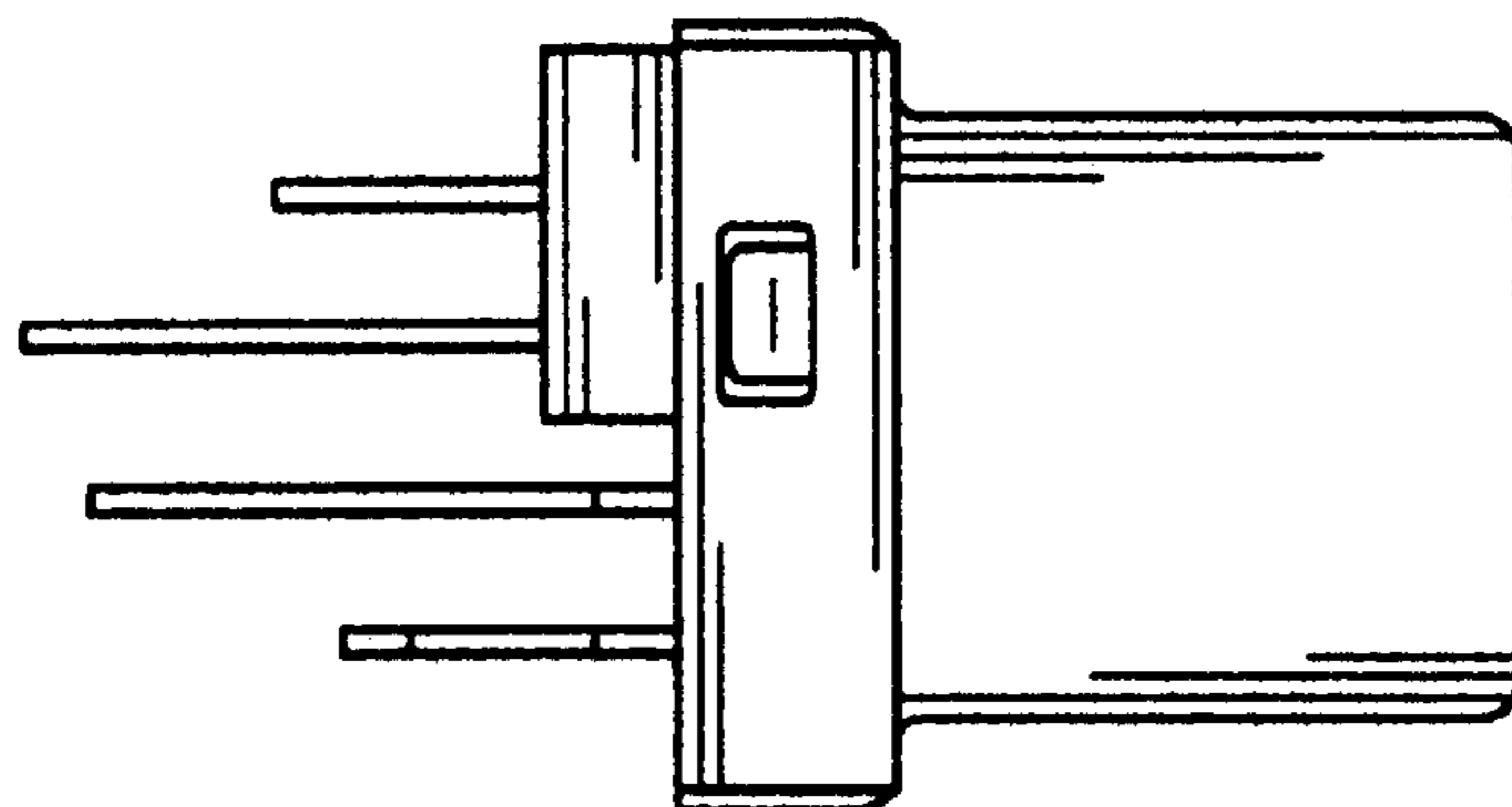


FIG. 4

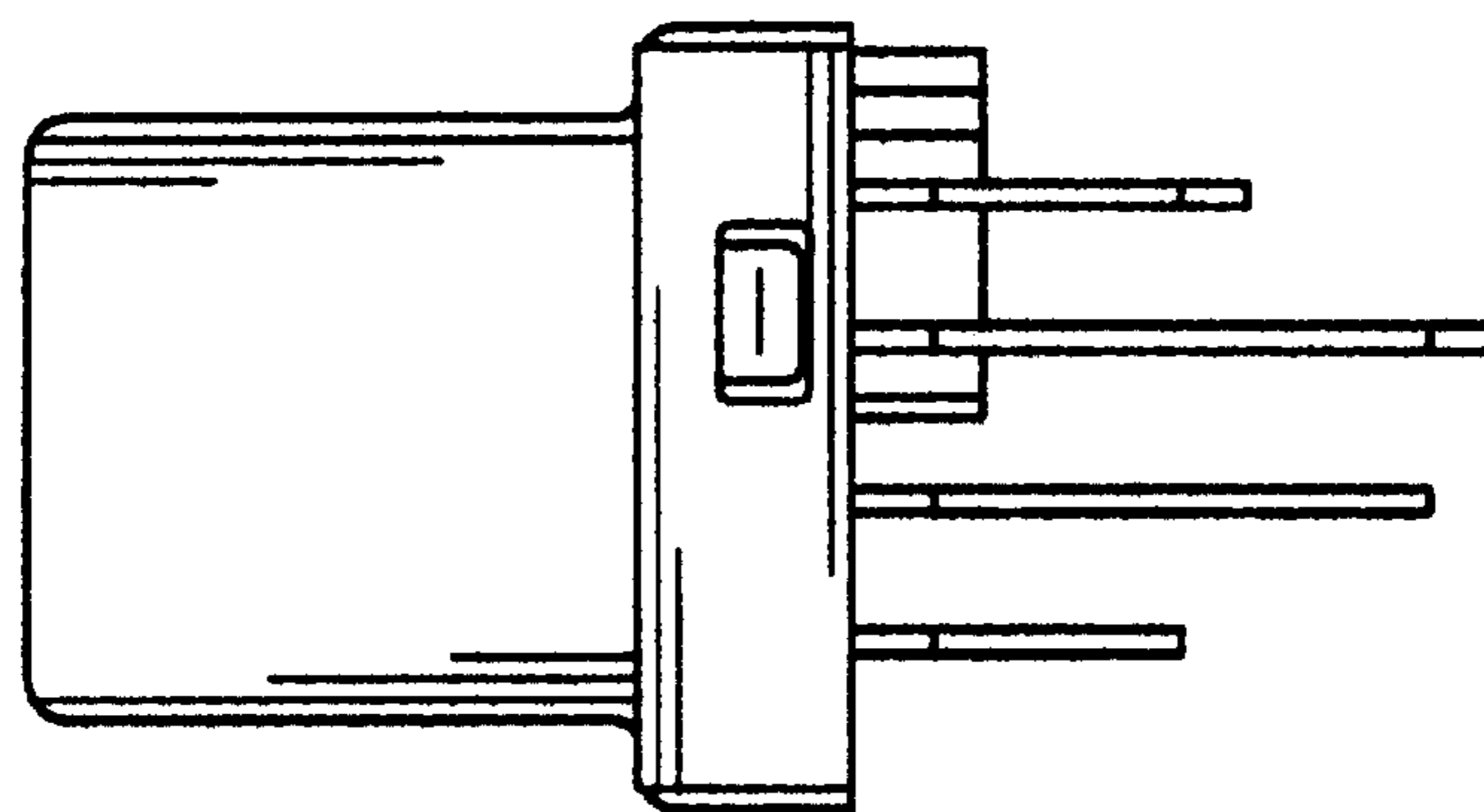


FIG. 5

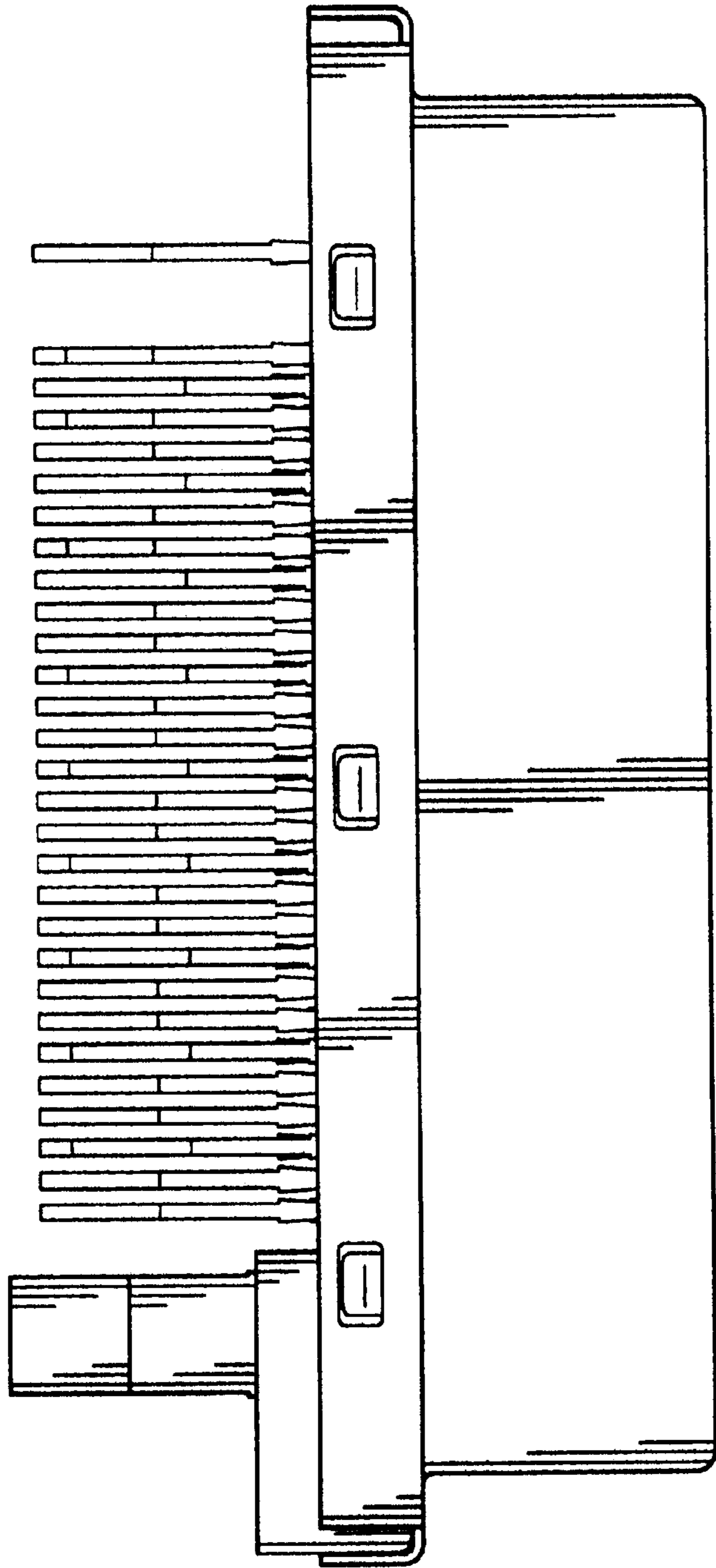


FIG. 6

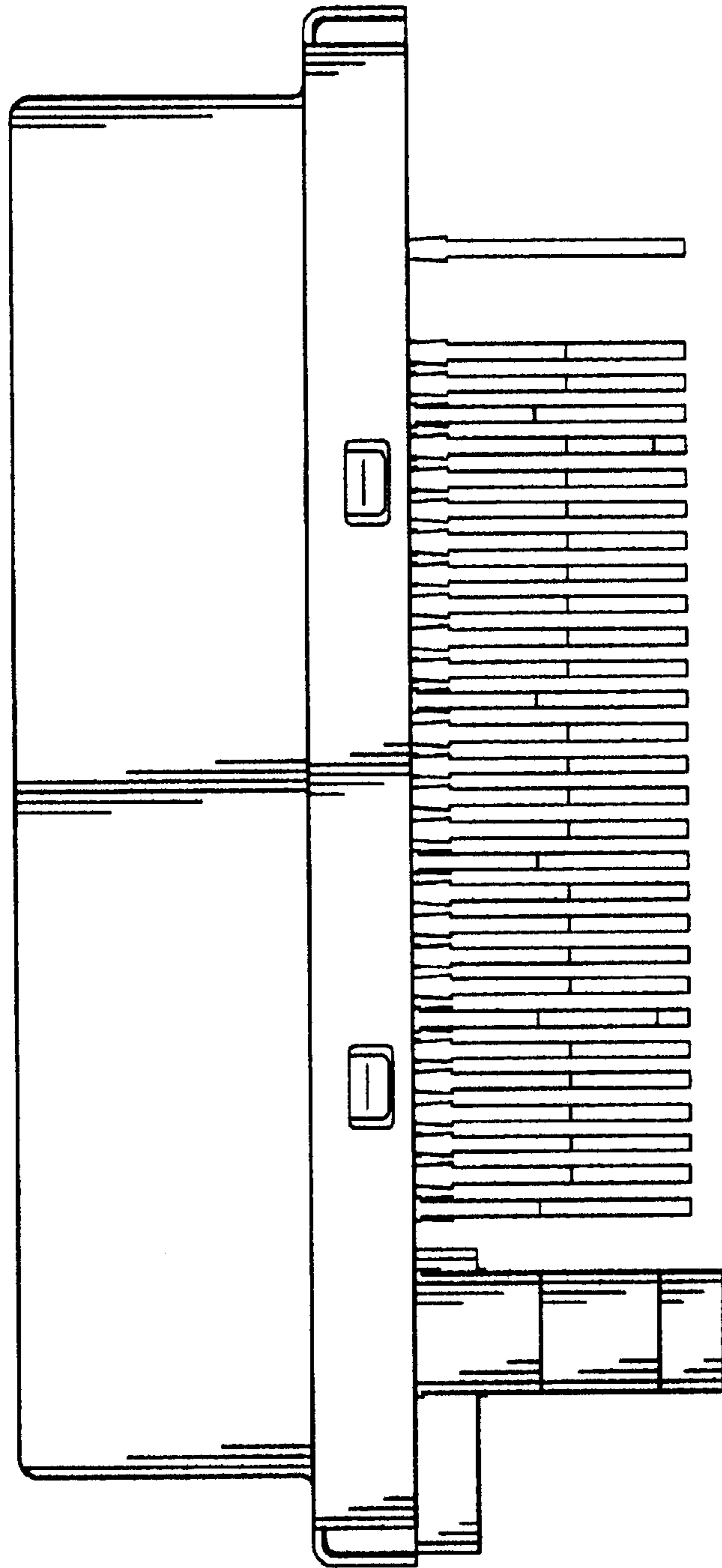


FIG. 7