



US00D519458S

(12) **United States Design Patent**
Su

(10) **Patent No.:** **US D519,458 S**

(45) **Date of Patent:** **** Apr. 25, 2006**

(54) **PLUG CONNECTOR**

(75) Inventor: **Chia Sheng Su**, Tucheng (TW)

(73) Assignee: **Cheng Uei Precision Industry Co., Ltd.**, Taipei (TW)

(**) Term: **14 Years**

(21) Appl. No.: **29/211,839**

(22) Filed: **Aug. 24, 2004**

(51) **LOC (8) Cl.** **13-03**

(52) **U.S. Cl.** **D13/147**

(58) **Field of Classification Search** D13/133,
D13/146-147, 184, 199; 439/61-62, 79,
439/83, 181, 492, 607, 630, 632, 634, 637,
439/660

See application file for complete search history.

(56) **References Cited**

U.S. PATENT DOCUMENTS

| | | | | | |
|-------------|---|---------|-----------------|-------|---------|
| D351,136 S | * | 10/1994 | Kurata | | D13/147 |
| 5,478,253 A | * | 12/1995 | Biechler et al. | | 439/181 |
| D416,863 S | * | 11/1999 | Sato et al. | | D13/147 |
| D416,865 S | * | 11/1999 | Chiou | | D13/147 |

| | | | | | |
|-----------------|---|---------|------------------|-------|---------|
| D418,479 S | * | 1/2000 | Chiou | | D13/147 |
| D451,887 S | * | 12/2001 | Yu et al. | | D13/147 |
| 6,776,660 B1 | * | 8/2004 | Kubota et al. | | 439/609 |
| D497,595 S | * | 10/2004 | Hisamatsu et al. | | D13/147 |
| 2002/0132517 A1 | * | 9/2002 | Tharp et al. | | 439/492 |

* cited by examiner

Primary Examiner—Stella Reid

Assistant Examiner—Daniel Bui

(74) *Attorney, Agent, or Firm*—Rosenberg, Klein & Lee

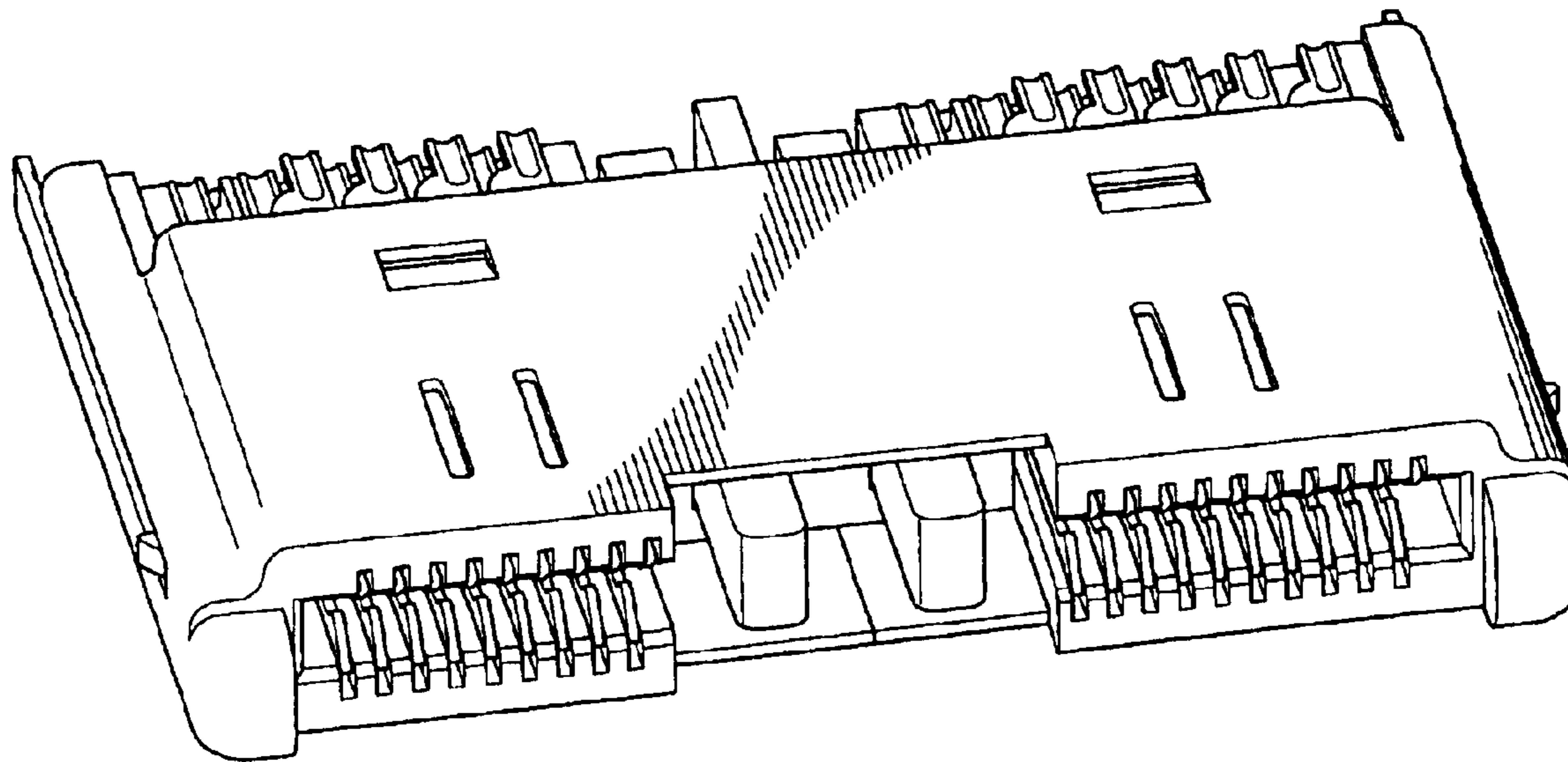
(57) **CLAIM**

The ornamental design for a plug connector, as shown and described.

DESCRIPTION

FIG. 1 is a top, front and left side perspective view of a plug connector, showing my new design;
FIG. 2 is a top, rear and right side perspective view thereof;
FIG. 3 is a front elevational view thereof;
FIG. 4 is a rear elevational view thereof;
FIG. 5 is a left side elevational view thereof;
FIG. 6 is a right side elevational view thereof;
FIG. 7 is a top plan view thereof; and,
FIG. 8 is a bottom plan view thereof.

1 Claim, 6 Drawing Sheets



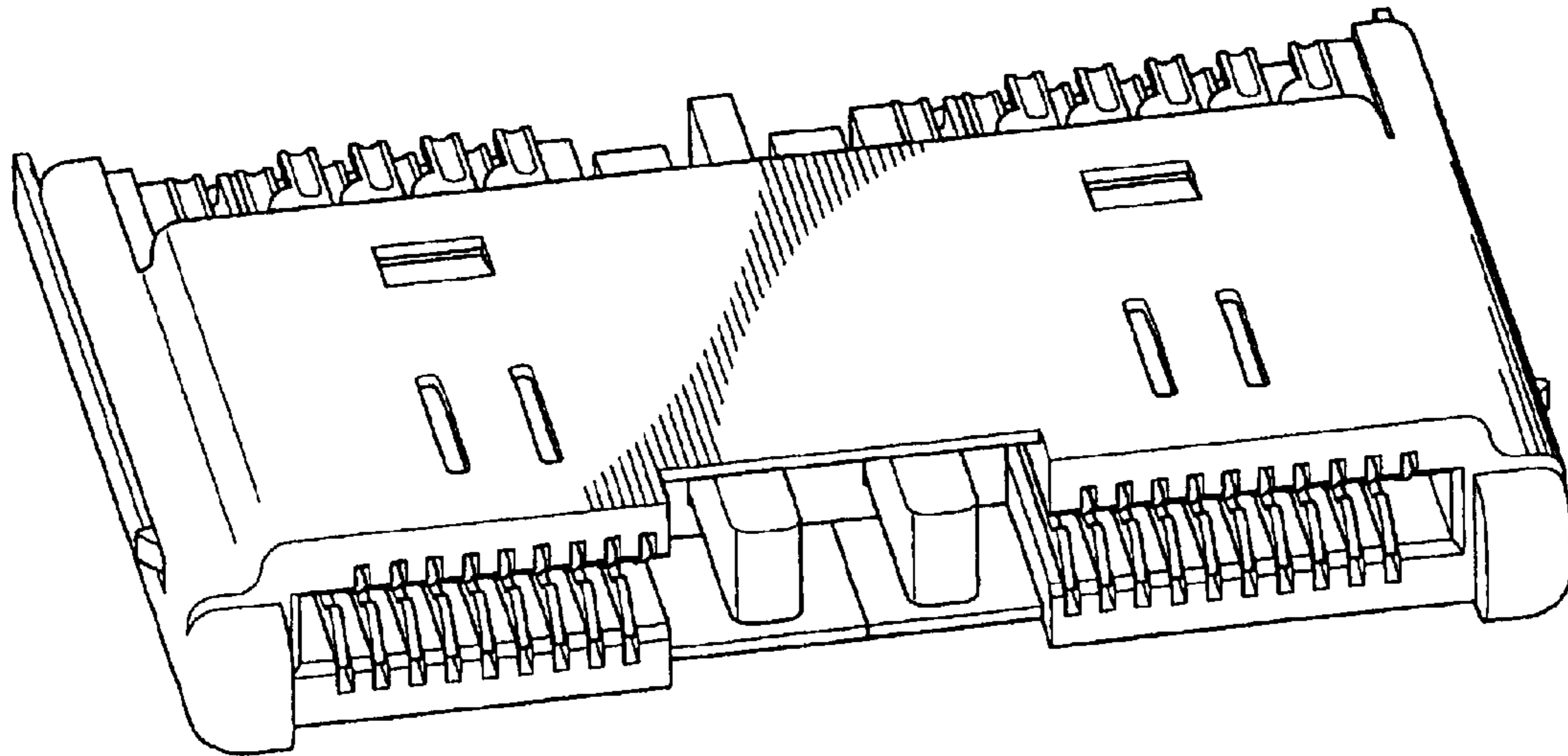


FIG. 1

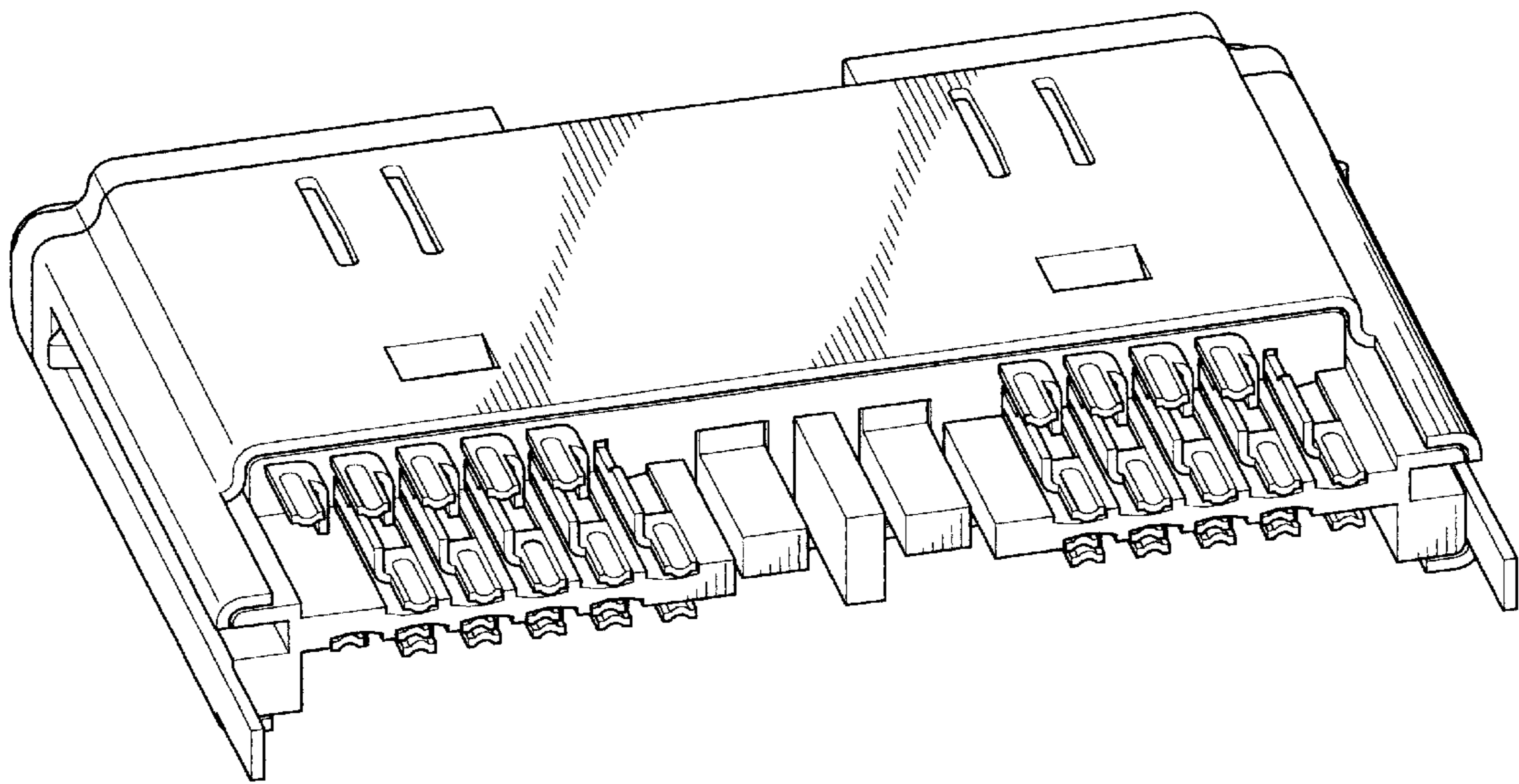


FIG. 2

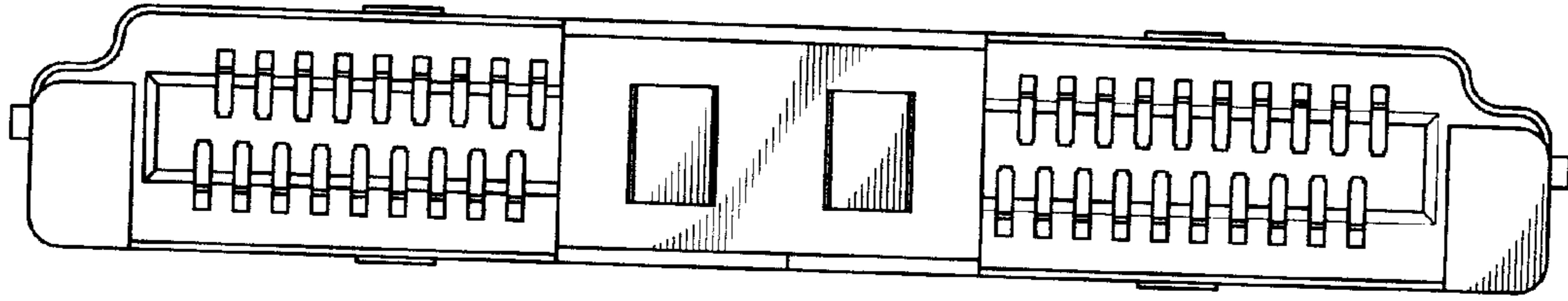


FIG. 3

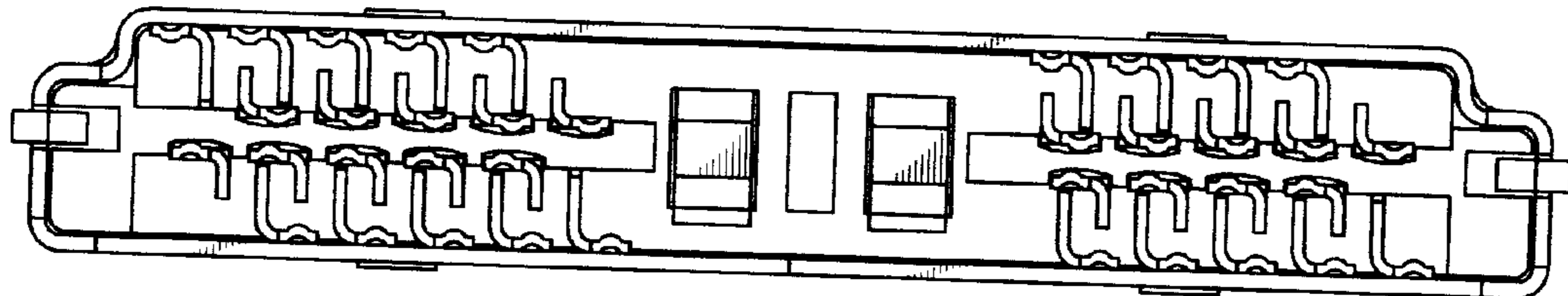


FIG. 4

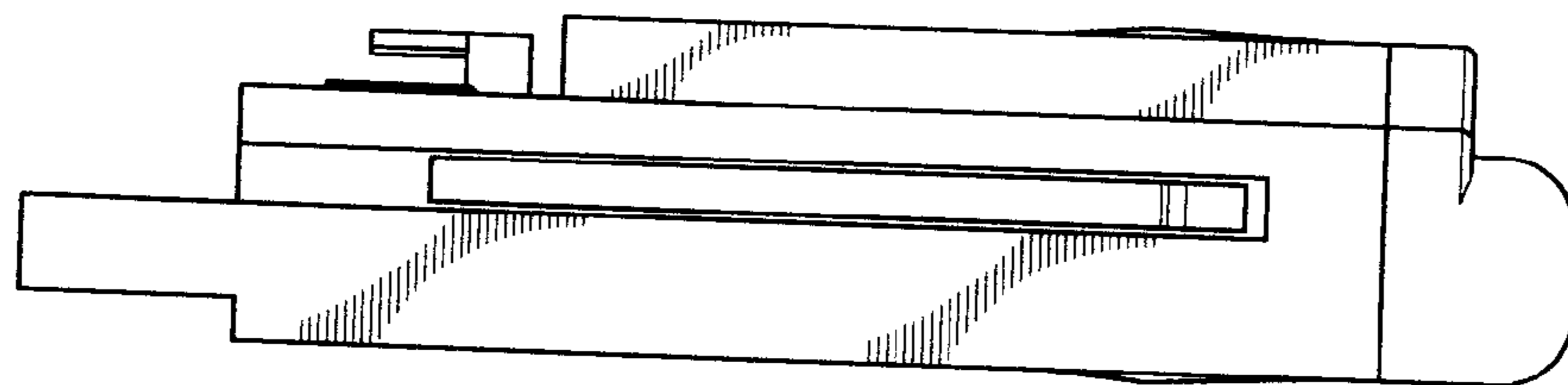


FIG. 5

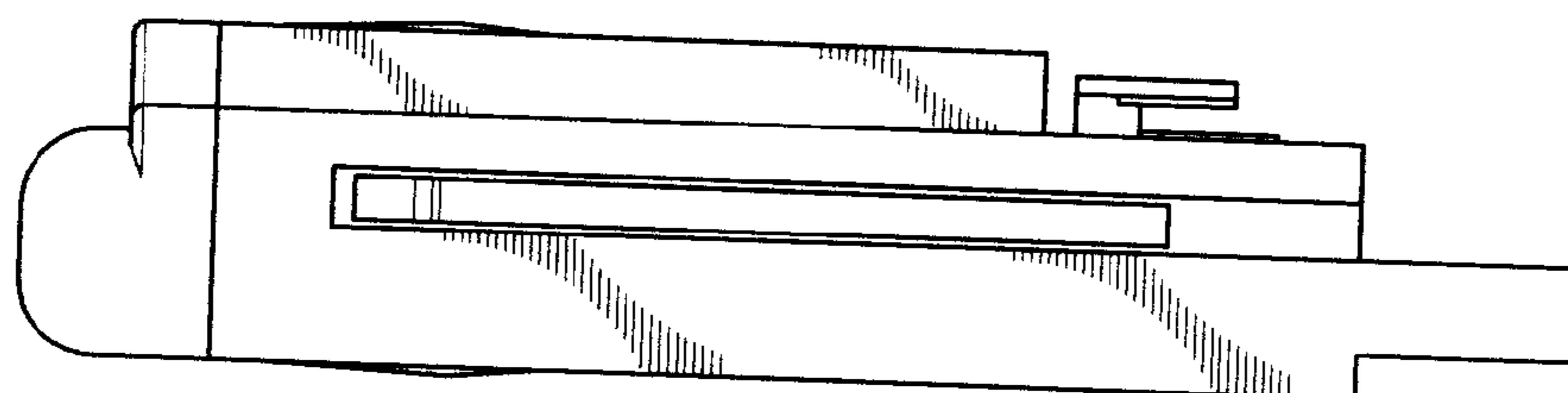


FIG. 6

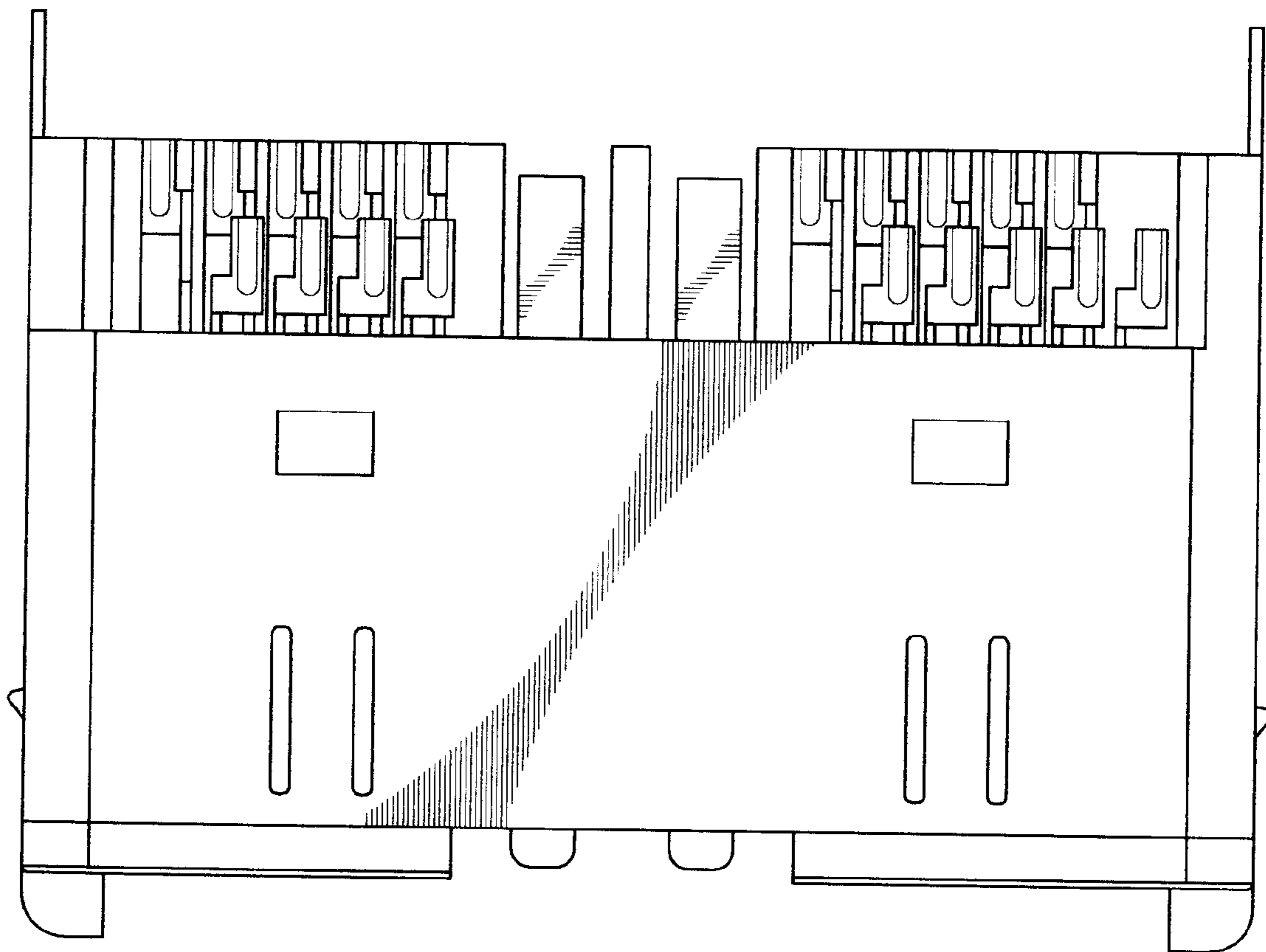


FIG. 7

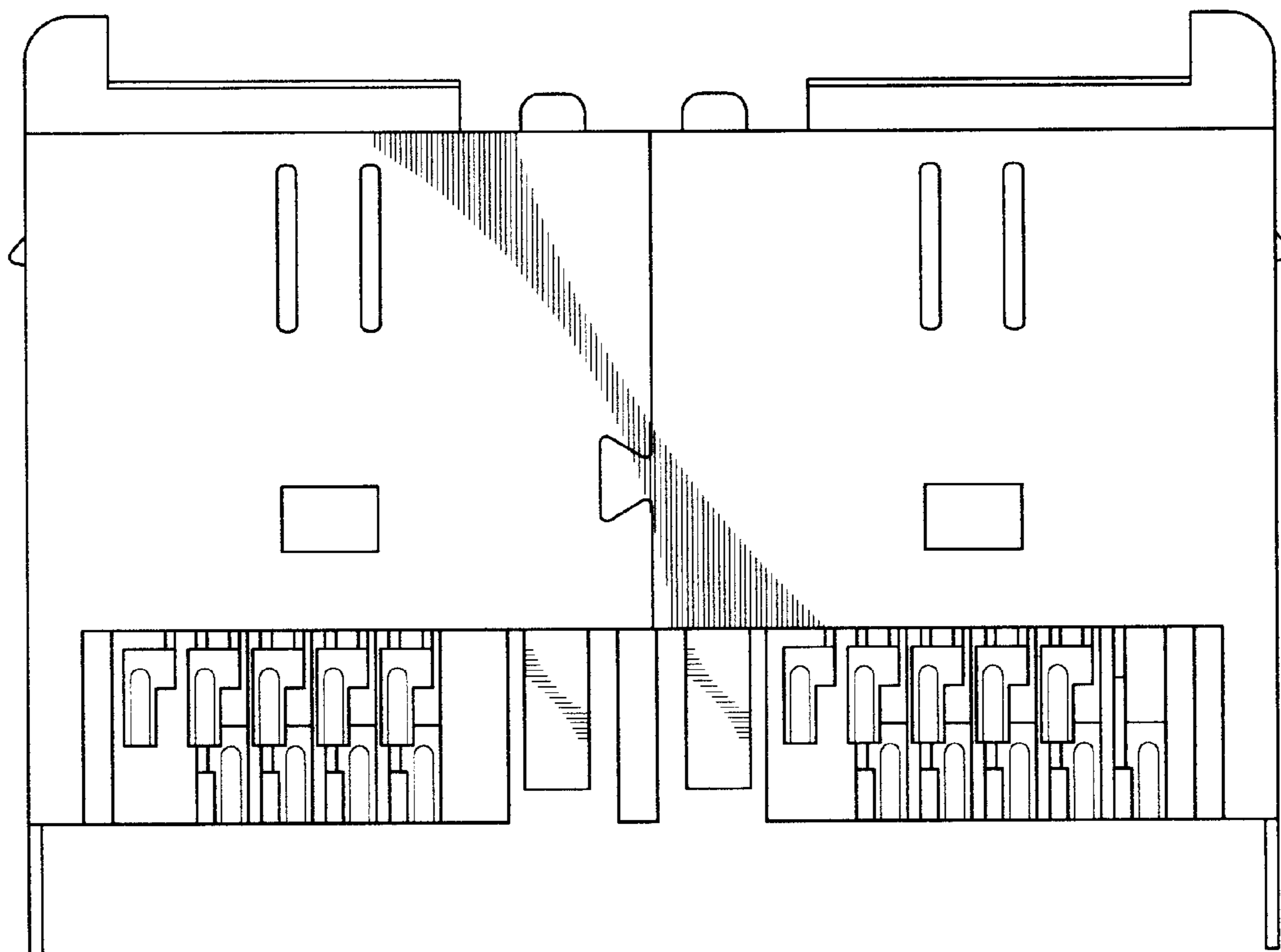


FIG. 8