



US00D519457S

(12) **United States Design Patent**  
**Pinson**

(10) **Patent No.:** **US D519,457 S**

(45) **Date of Patent:** **\*\* Apr. 25, 2006**

(54) **CONNECTOR TO ELECTROMECHANICAL PROGRAMMER**

(75) Inventor: **Clement Pinson**, Villeurbanne (FR)

(73) Assignee: **Otio France**, Villeurbanne Cedex (FR)

(\*\*) Term: **14 Years**

(21) Appl. No.: **29/226,090**

(22) Filed: **Mar. 24, 2005**

(30) **Foreign Application Priority Data**

Sep. 27, 2004 (EM) ..... 000233523

(51) **LOC (8) Cl.** ..... **13-03**

(52) **U.S. Cl.** ..... **D13/137.2**

(58) **Field of Classification Search** ..... D13/107,  
D13/110, 123, 133, 137.1-139.8, 160; D14/433;  
174/48-49, 53-58; 439/105-107, 535-536,  
439/650-655, 692

See application file for complete search history.

(56) **References Cited**

**U.S. PATENT DOCUMENTS**

- D315,893 S \* 4/1991 Cheng ..... D13/165
- D340,441 S \* 10/1993 Piret ..... D13/137.1
- D352,667 S \* 11/1994 Chen ..... D10/40
- D382,251 S \* 8/1997 Tsui ..... D13/137.1
- D429,688 S \* 8/2000 Russo ..... D13/123
- D432,990 S \* 10/2000 Stekelenburg ..... D13/137.3

- 6,133,843 A \* 10/2000 Davidson ..... 340/693.9
- D437,296 S \* 2/2001 Lin et al. .... D13/139.8
- D454,538 S \* 3/2002 Glickman ..... D13/110
- D473,188 S \* 4/2003 Cheah et al. .... D13/138.2
- D486,450 S \* 2/2004 Stekelenburg ..... D13/137.3

\* cited by examiner

*Primary Examiner*—Alan P. Douglas

*Assistant Examiner*—Rosemary K. Tarcza

(74) *Attorney, Agent, or Firm*—Stites & Harbison; Douglas E. Jackson

(57) **CLAIM**

The ornamental design for a connector to electromechanical programmer, as shown and described.

**DESCRIPTION**

FIG. 1 is front view of a connector to electromechanical programmer according to the present invention;

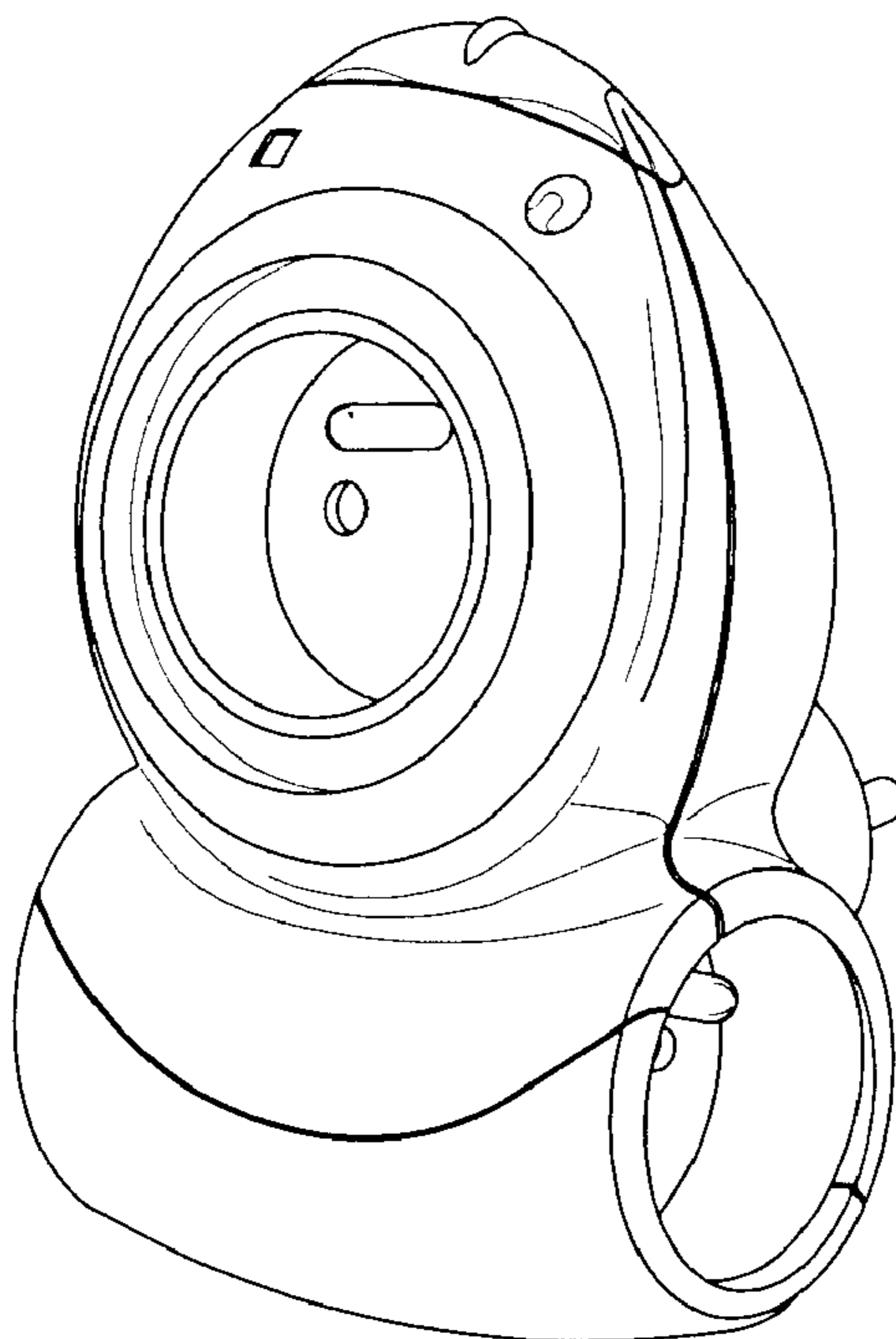
FIG. 2 is a top view of the connector to electromechanical programmer depicted in FIG. 1.

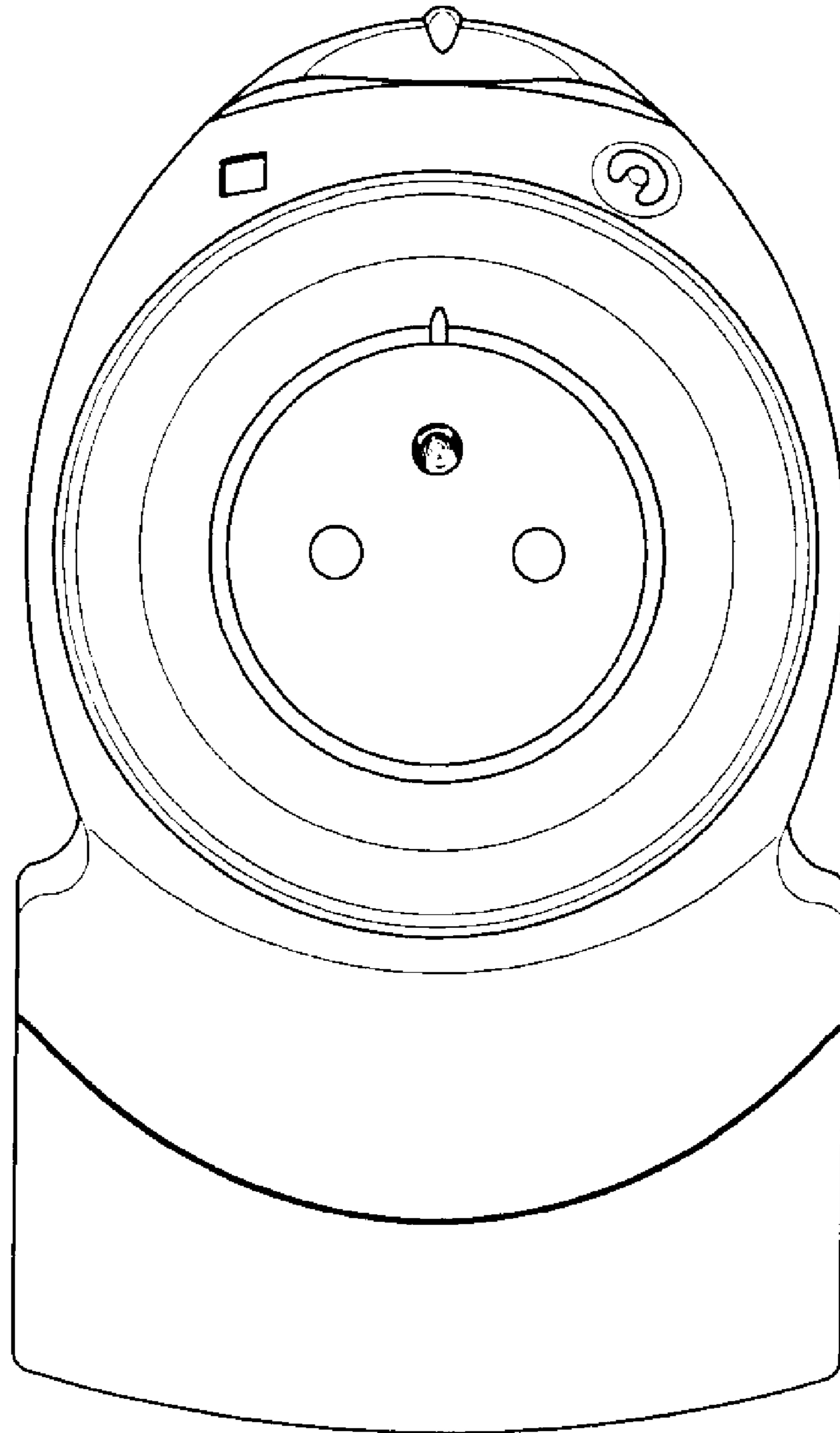
FIG. 3 is a right side view of the connector to electromechanical programmer depicted in FIG. 1, with the left side view being a mirror image thereof.

FIG. 4 is a bottom view of the connector to electromechanical programmer depicted in FIG. 1; and,

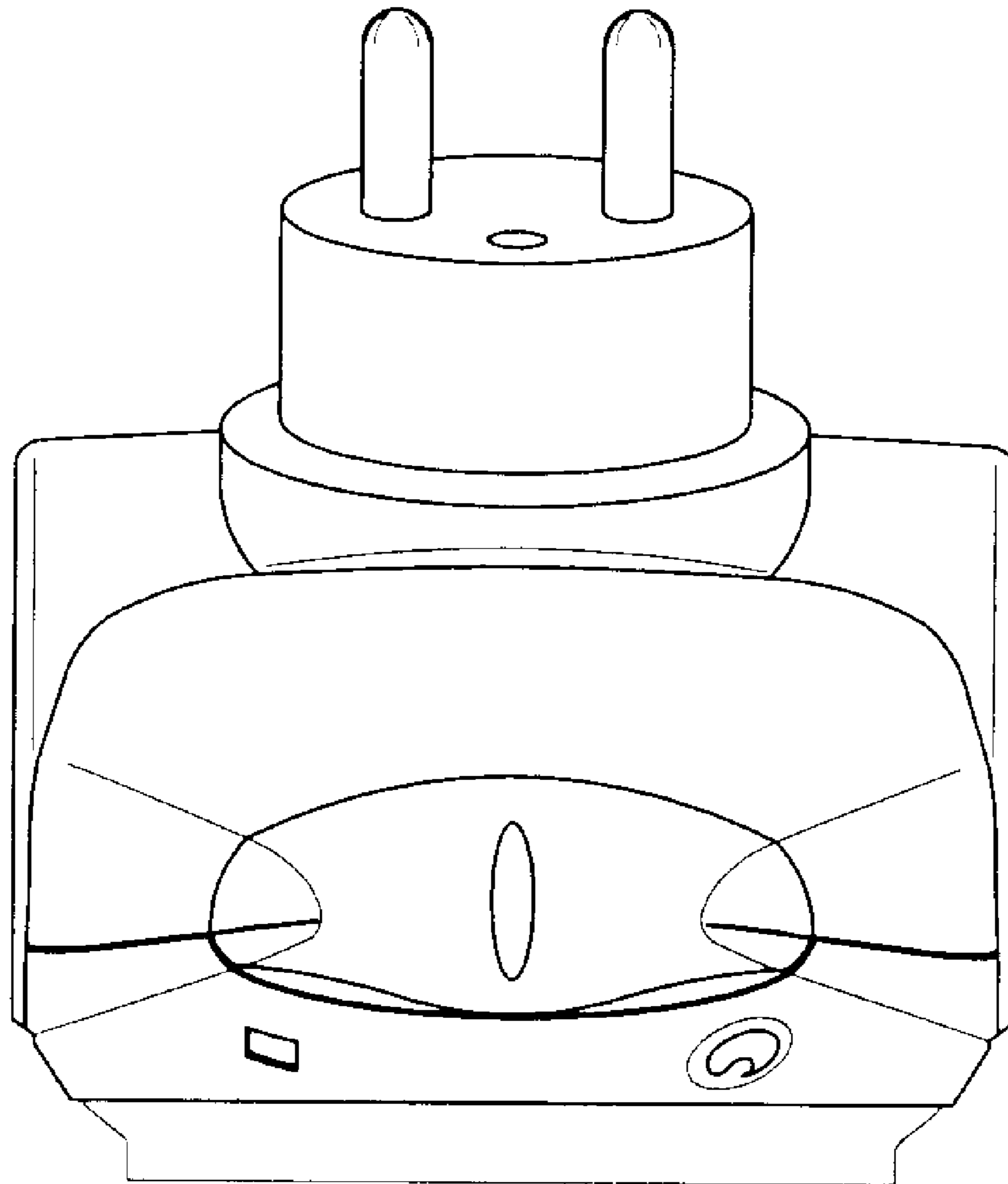
FIG. 5 is a perspective front, top and right side view of the connector to electromechanical programmer depicted in FIG. 1.

**1 Claim, 5 Drawing Sheets**

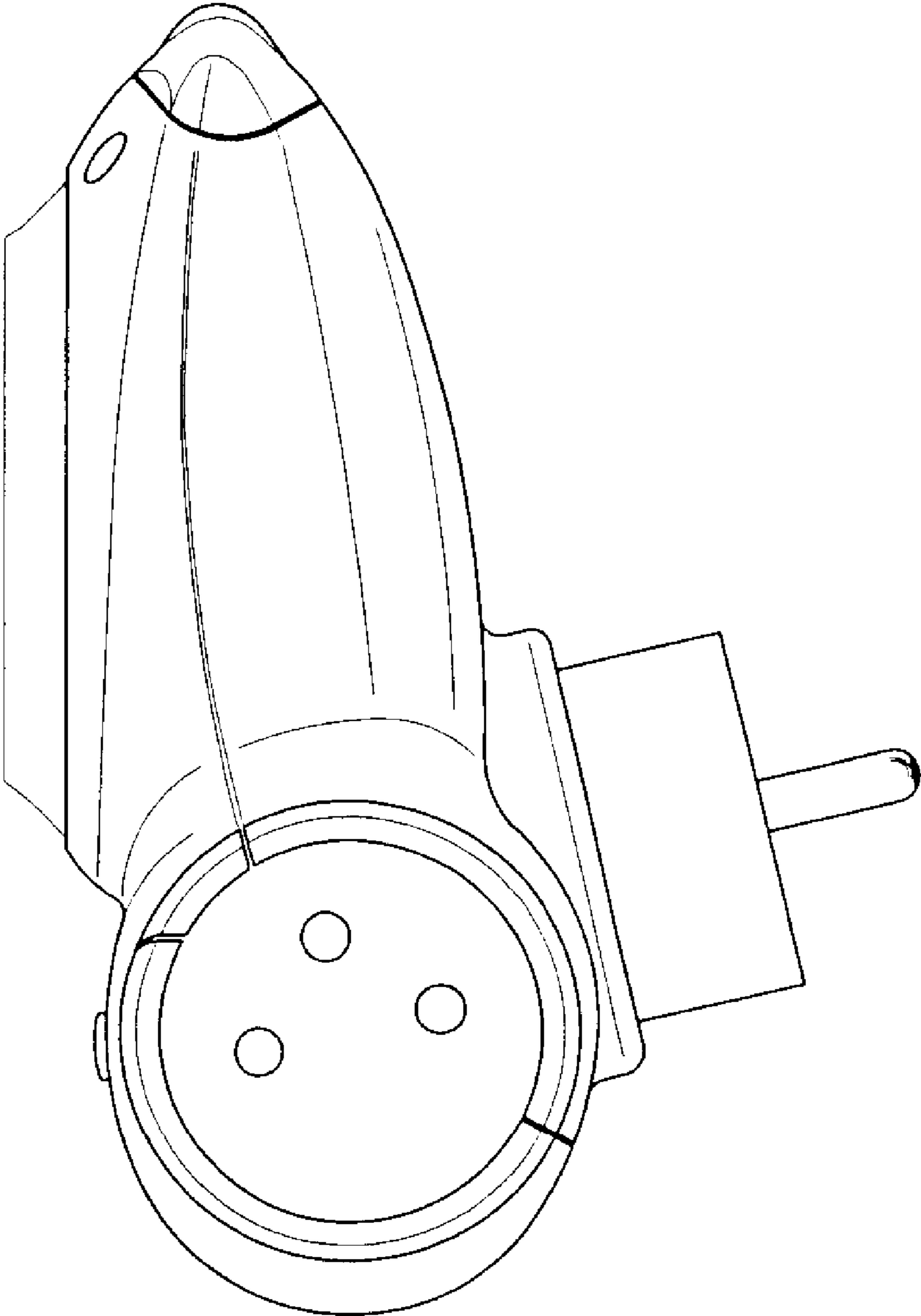




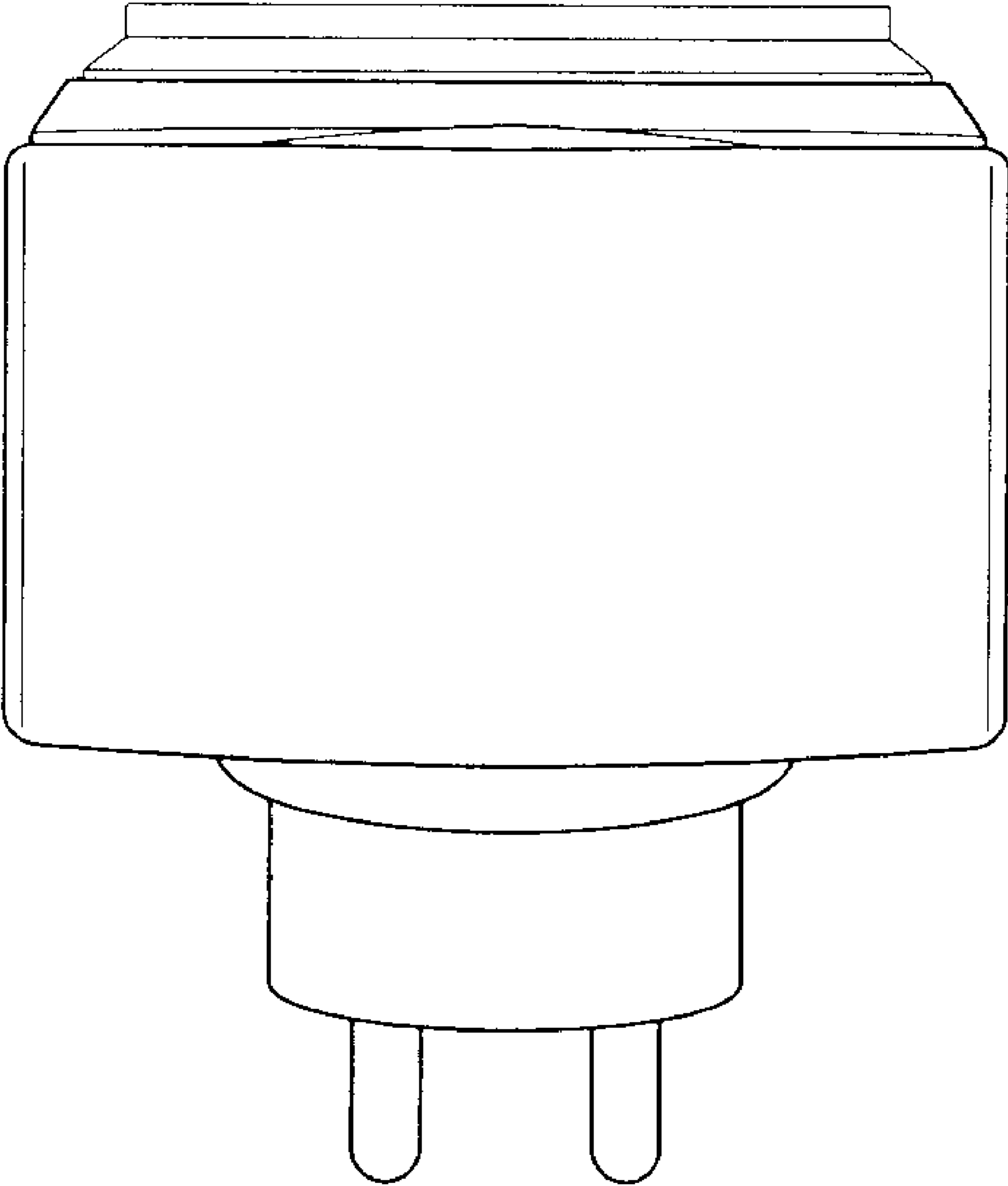
**FIG. 1**



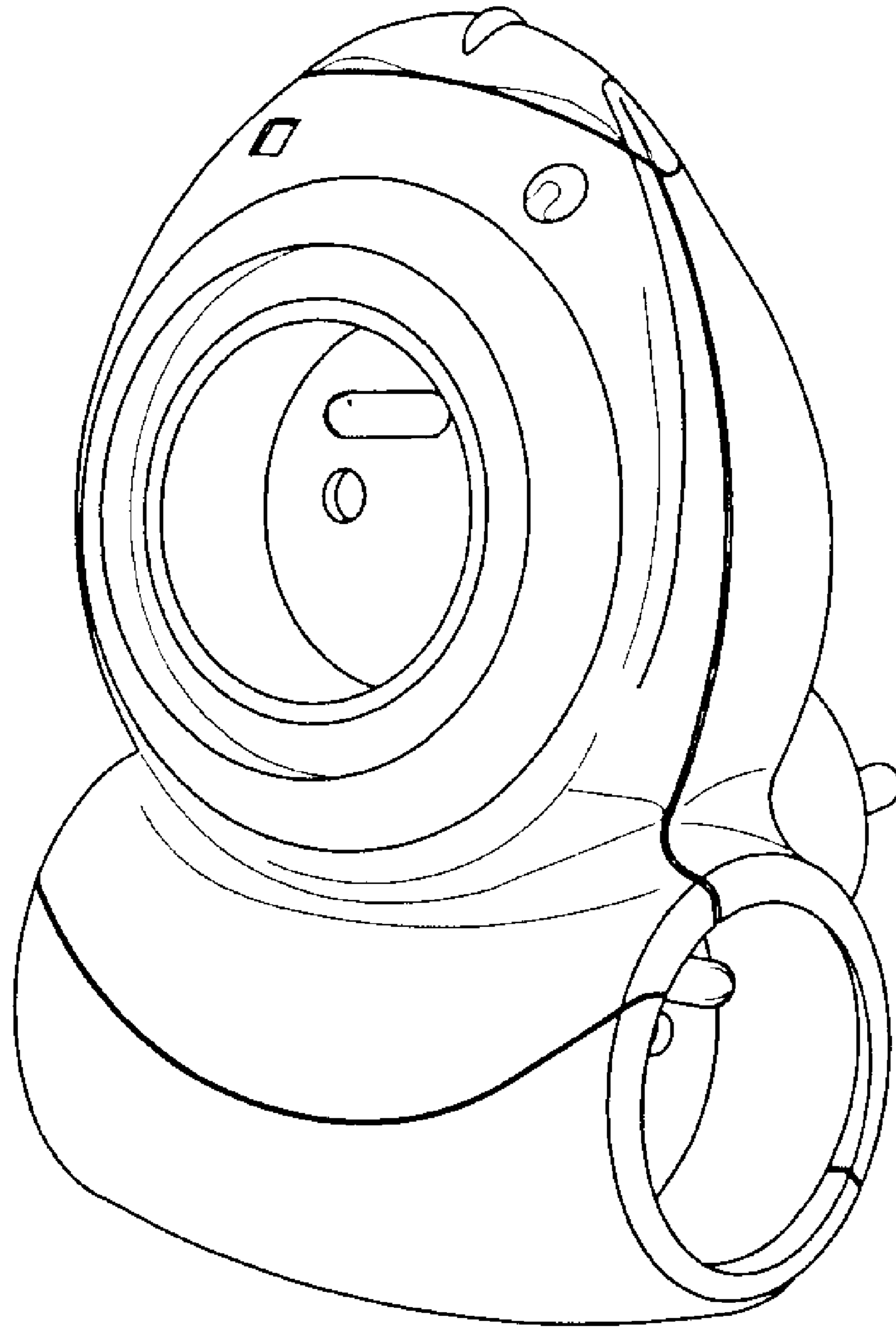
**FIG. 2**



**FIG. 3**



**FIG. 4**



**FIG. 5**