



US00D519455S

(12) **United States Design Patent**
Tufano et al.

(10) **Patent No.:** **US D519,455 S**
(45) **Date of Patent:** **** Apr. 25, 2006**

(54) **MOGUL OR MEDIUM BASE LAMP HOLDER**

(75) Inventors: **Anthony Tufano**, North Massapequa, NY (US); **Paul Endres**, Plainview, NY (US); **Anil B. Deshmukh**, Commack, NY (US); **Rick Wyke**, Valdese, NC (US)

(73) Assignee: **Leviton Manufacturing Co., Inc.**, Little Neck, NY (US)

(**) Term: **14 Years**

(21) Appl. No.: **29/202,170**

(22) Filed: **Mar. 26, 2004**

(51) **LOC (8) Cl.** **13-03**

(52) **U.S. Cl.** **D13/134**

(58) **Field of Classification Search** D13/133-135, D13/184, 199; D26/24, 60, 106, 113; 313/318.01, 313/318.12; 362/103, 105, 581; 439/336, 439/602

See application file for complete search history.

(56) **References Cited**

U.S. PATENT DOCUMENTS

D330,366 S * 10/1992 Henrici D13/134
D350,730 S * 9/1994 Ayotte D13/162

D367,847 S * 3/1996 Tarulli et al. D13/158
D387,730 S * 12/1997 McCarthy D13/133
D480,498 S * 10/2003 McBride D26/113
D508,236 S * 8/2005 Duke et al. D13/184
2002/0093279 A1 * 7/2002 Chen 313/318.01

* cited by examiner

Primary Examiner—Stella Reid

Assistant Examiner—Daniel Bui

(74) *Attorney, Agent, or Firm*—Paul J. Sutton

(57) **CLAIM**

The ornamental design for a mogul or medium base lamp holder, as shown and described.

DESCRIPTION

FIG. 1 is a top perspective view of a mogul or medium base lamp holder showing my new design;

FIG. 2 is a bottom perspective view thereof;

FIG. 3 is a top view thereof;

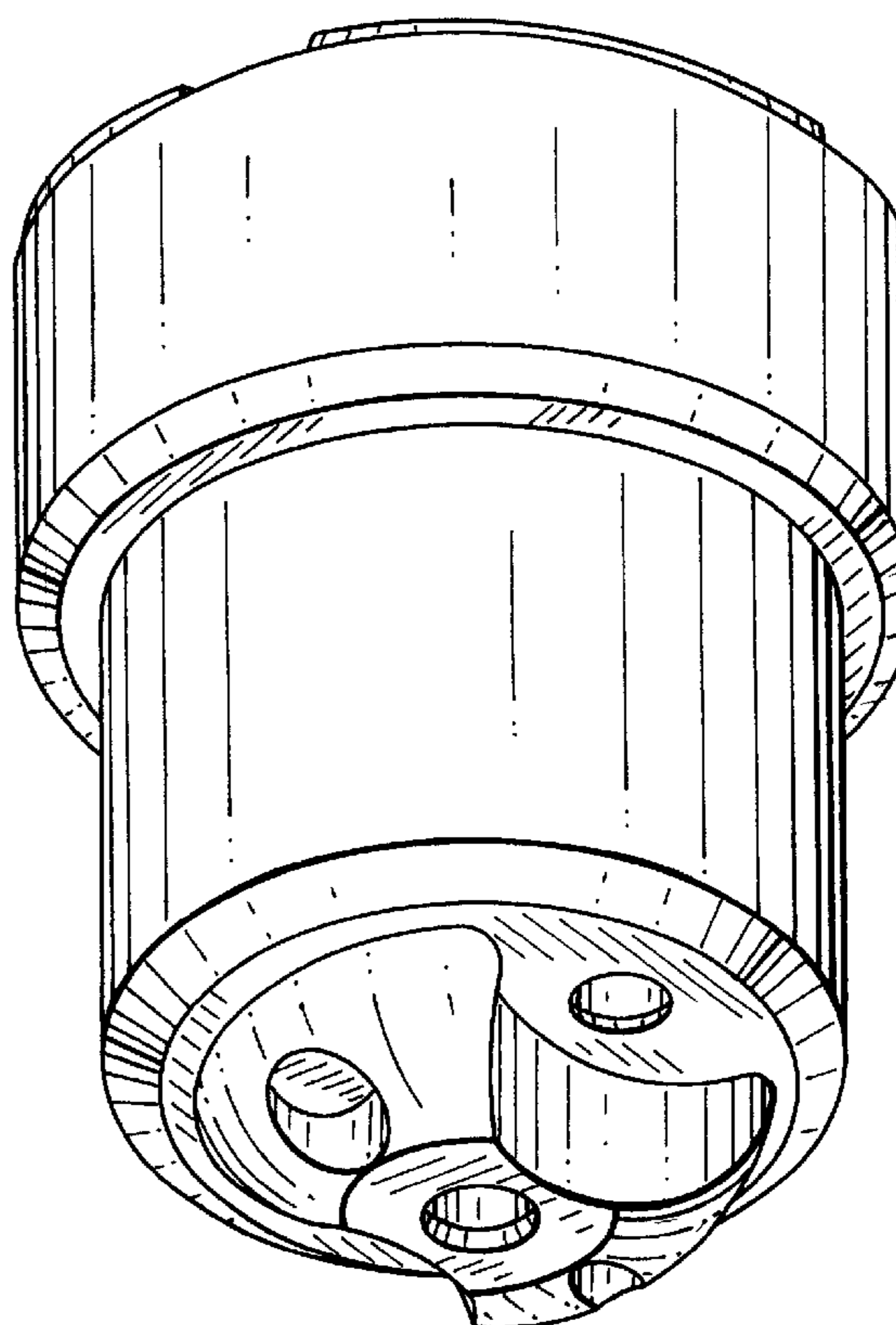
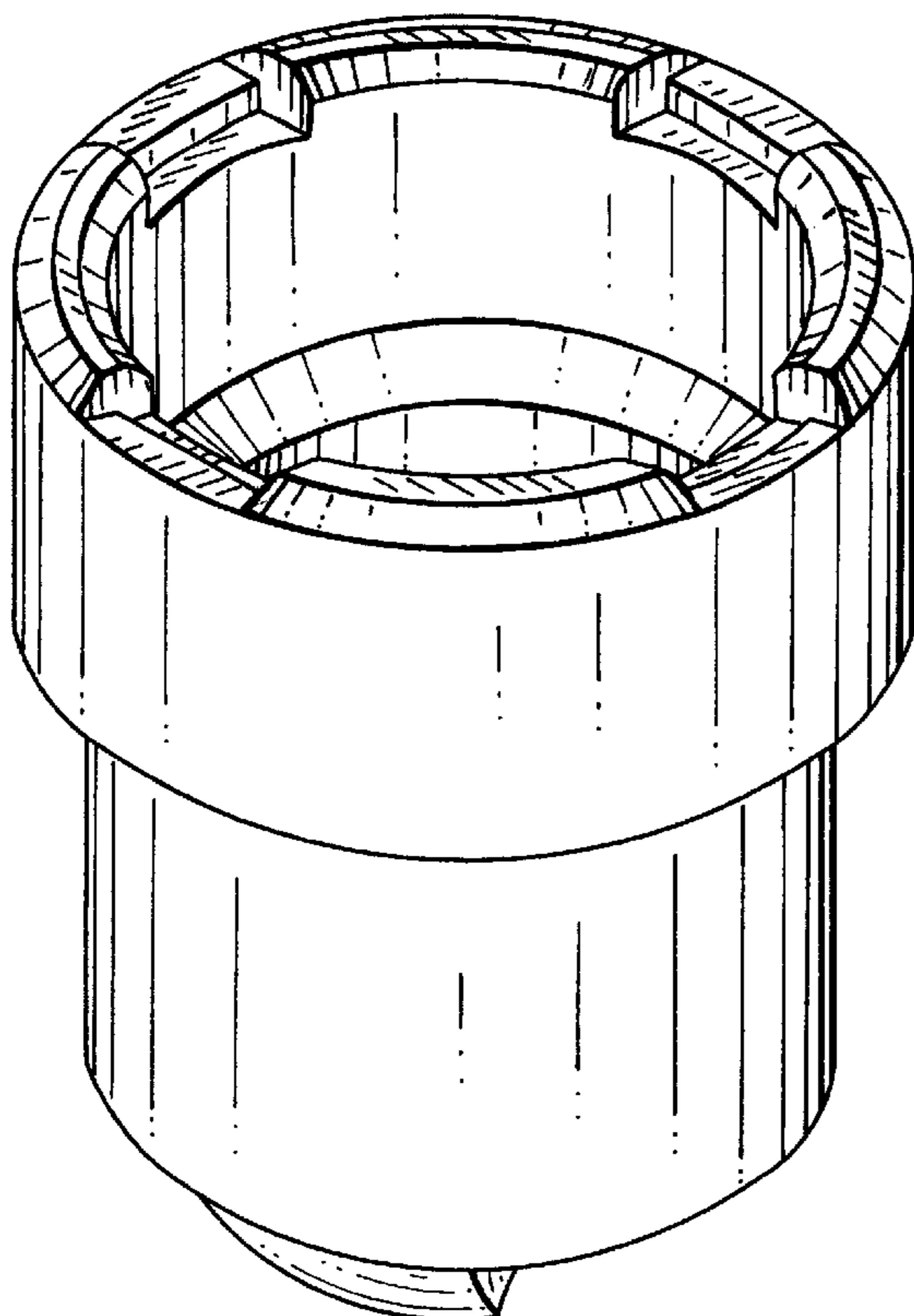
FIG. 4 is a side view thereof, the opposite side being a mirror image;

FIG. 5 is a side view thereof rotated ninety degrees from that of FIG. 4, the opposite side being a mirror image; and,

FIG. 6 is a bottom view thereof.

The broken line showing of the environment is for illustrative purposes only and forms no part of the claimed design.

1 Claim, 3 Drawing Sheets



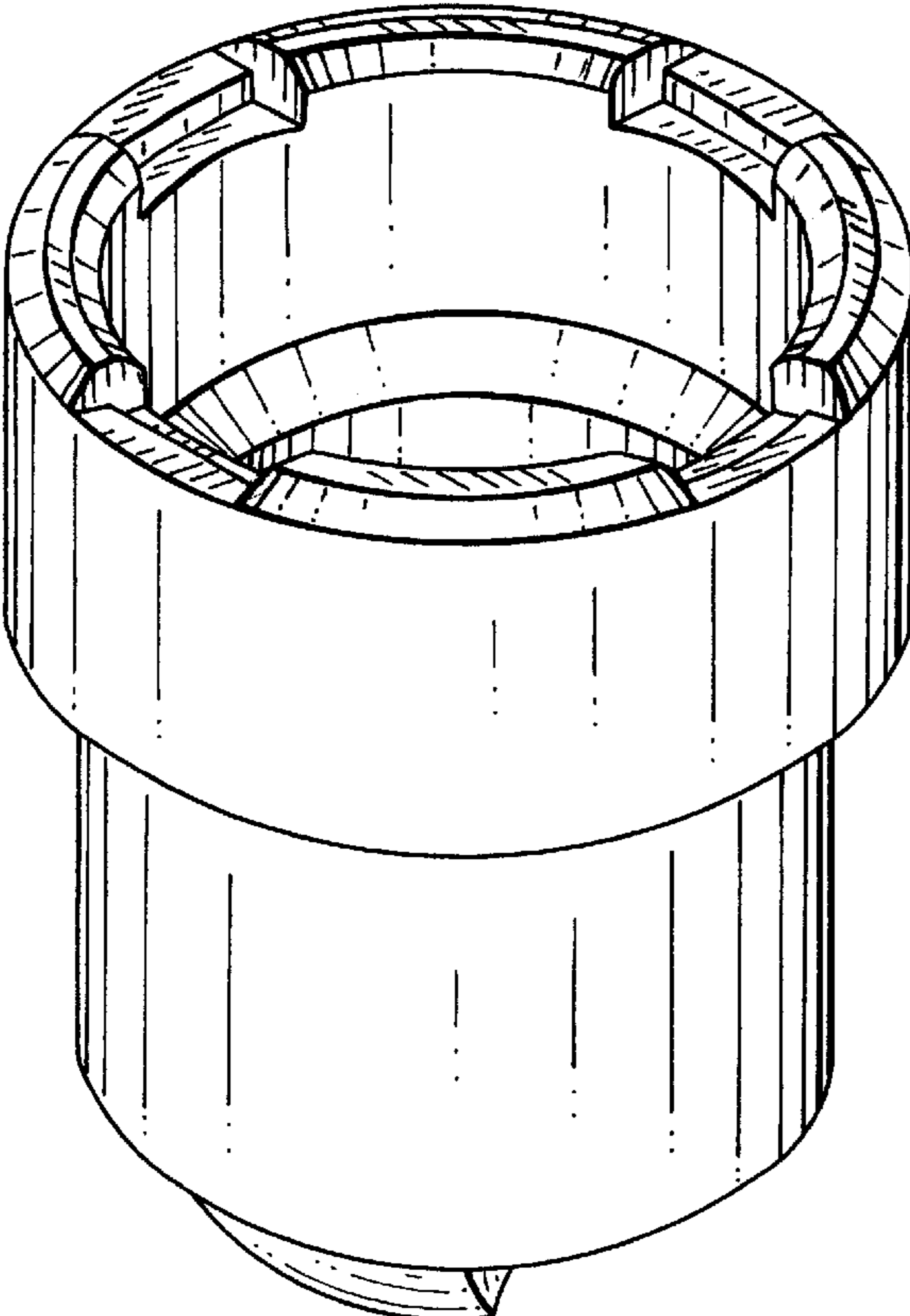


FIG. 1

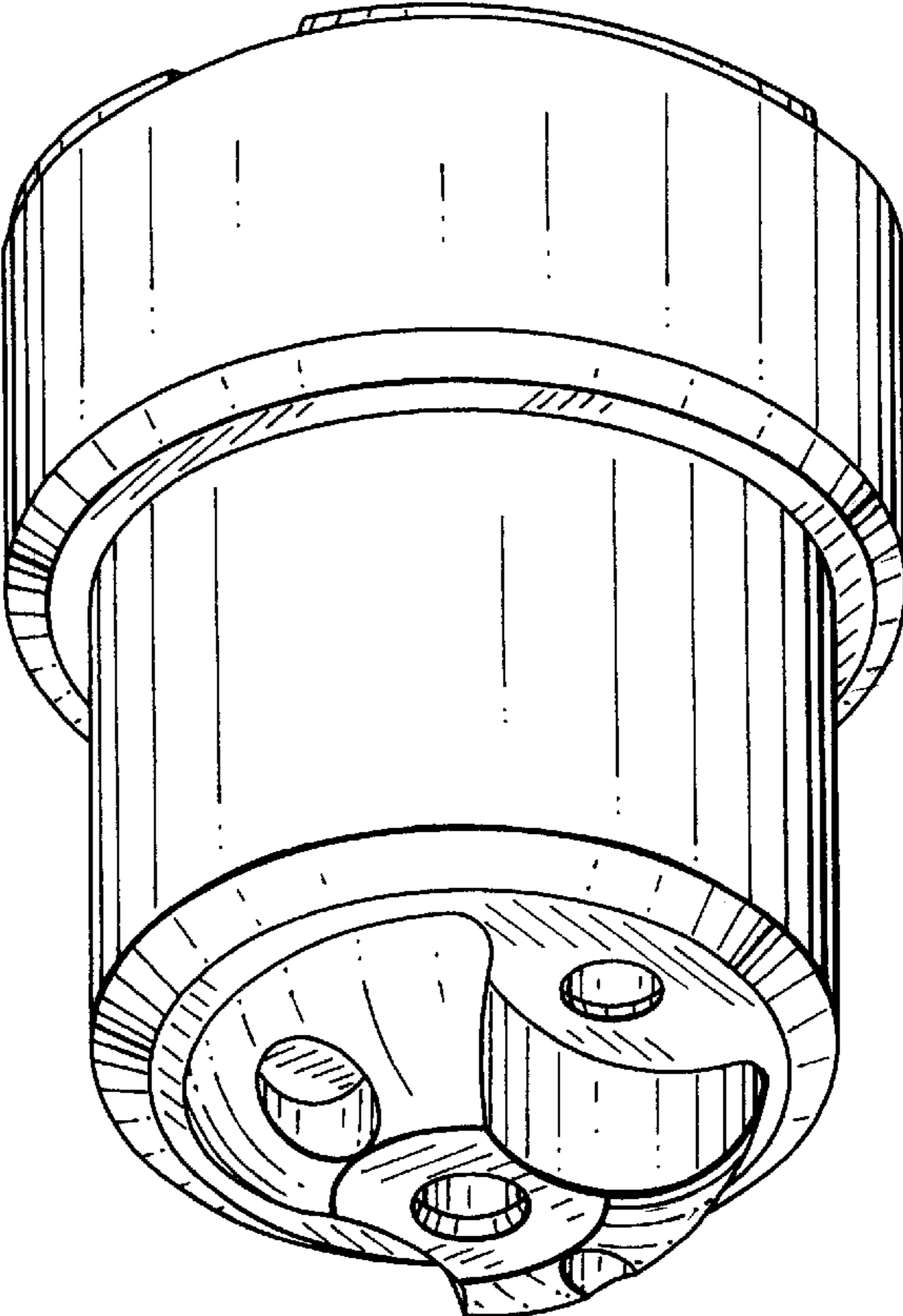


FIG. 2

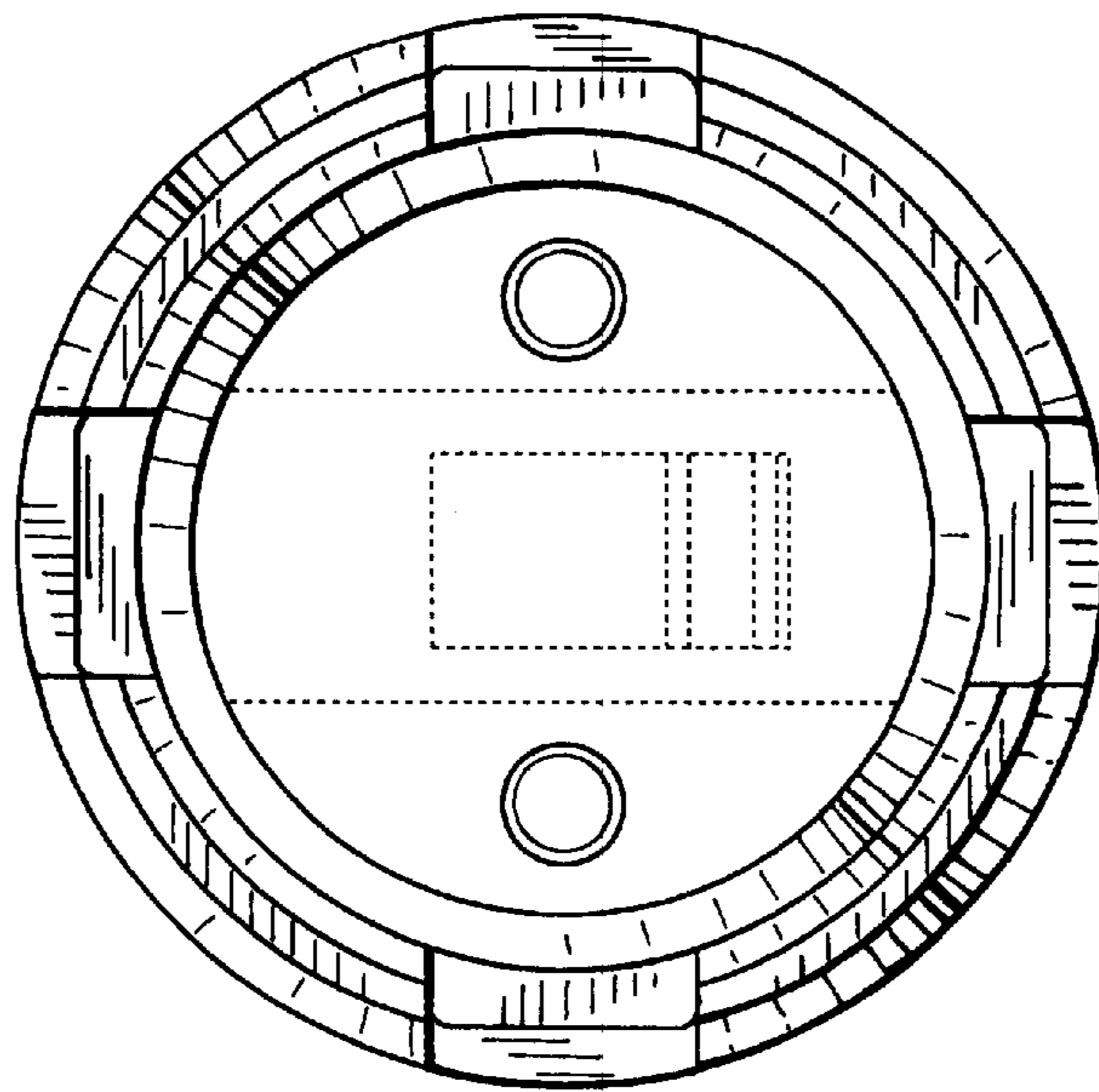


FIG. 3

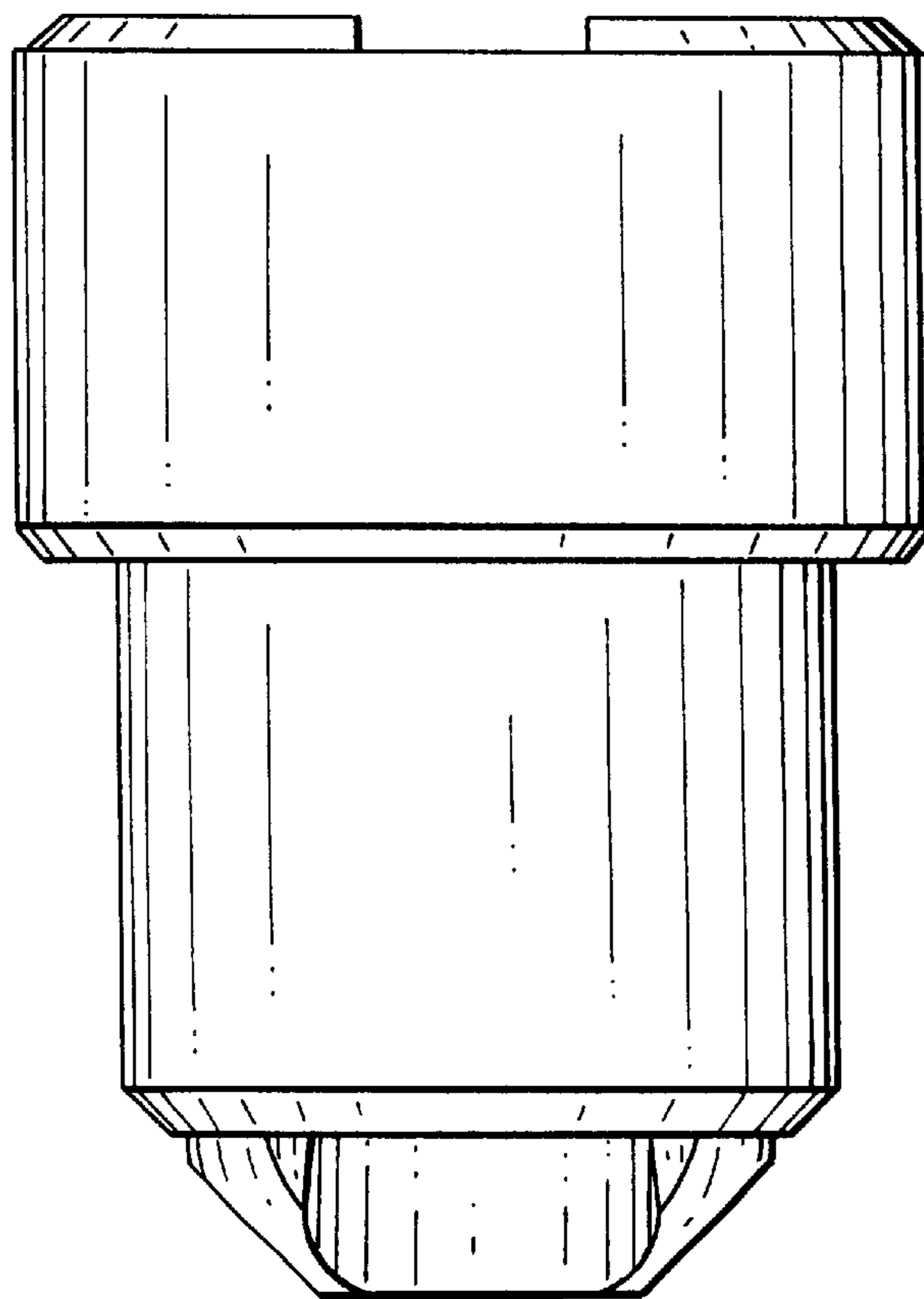


FIG. 4

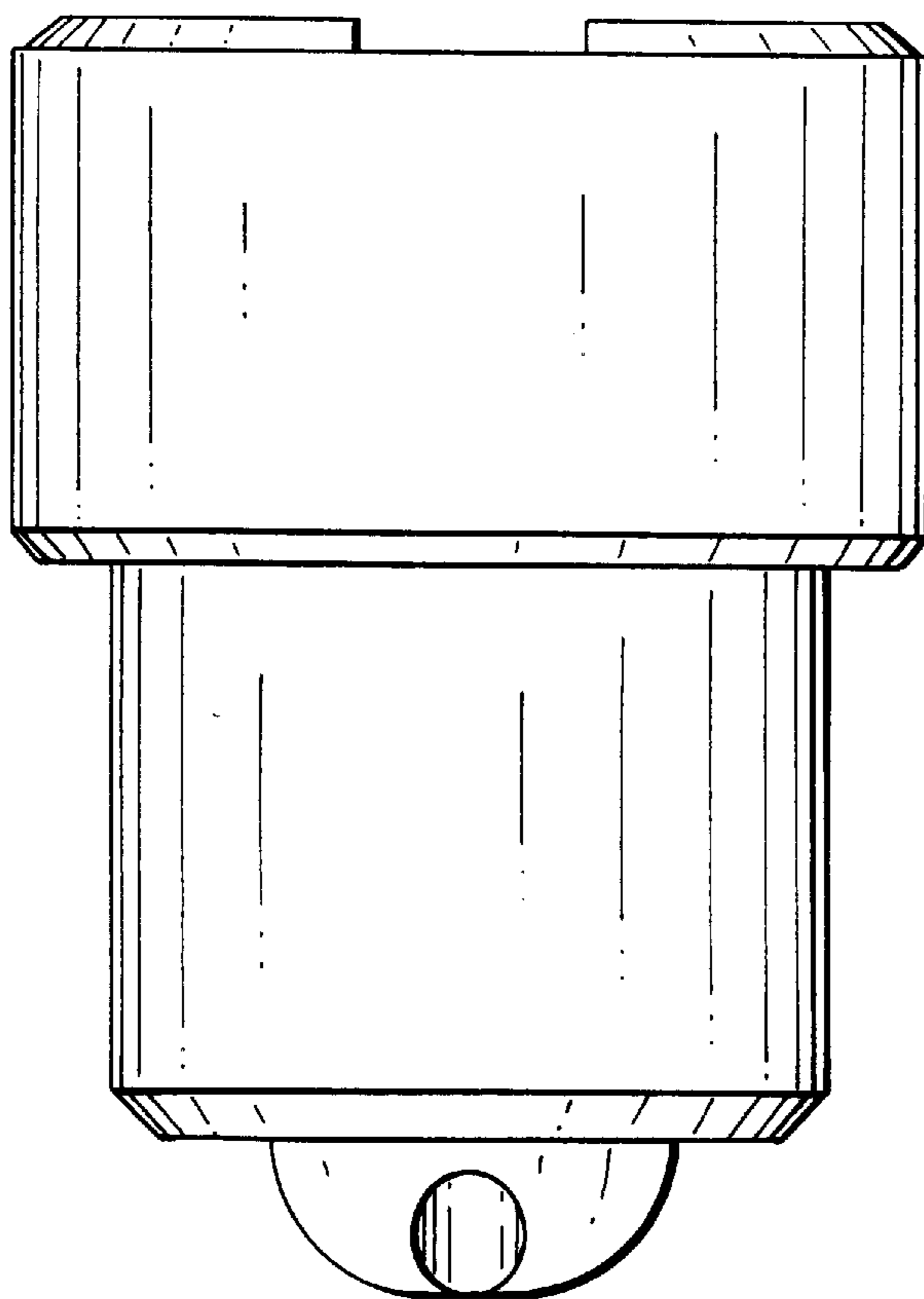


FIG. 5

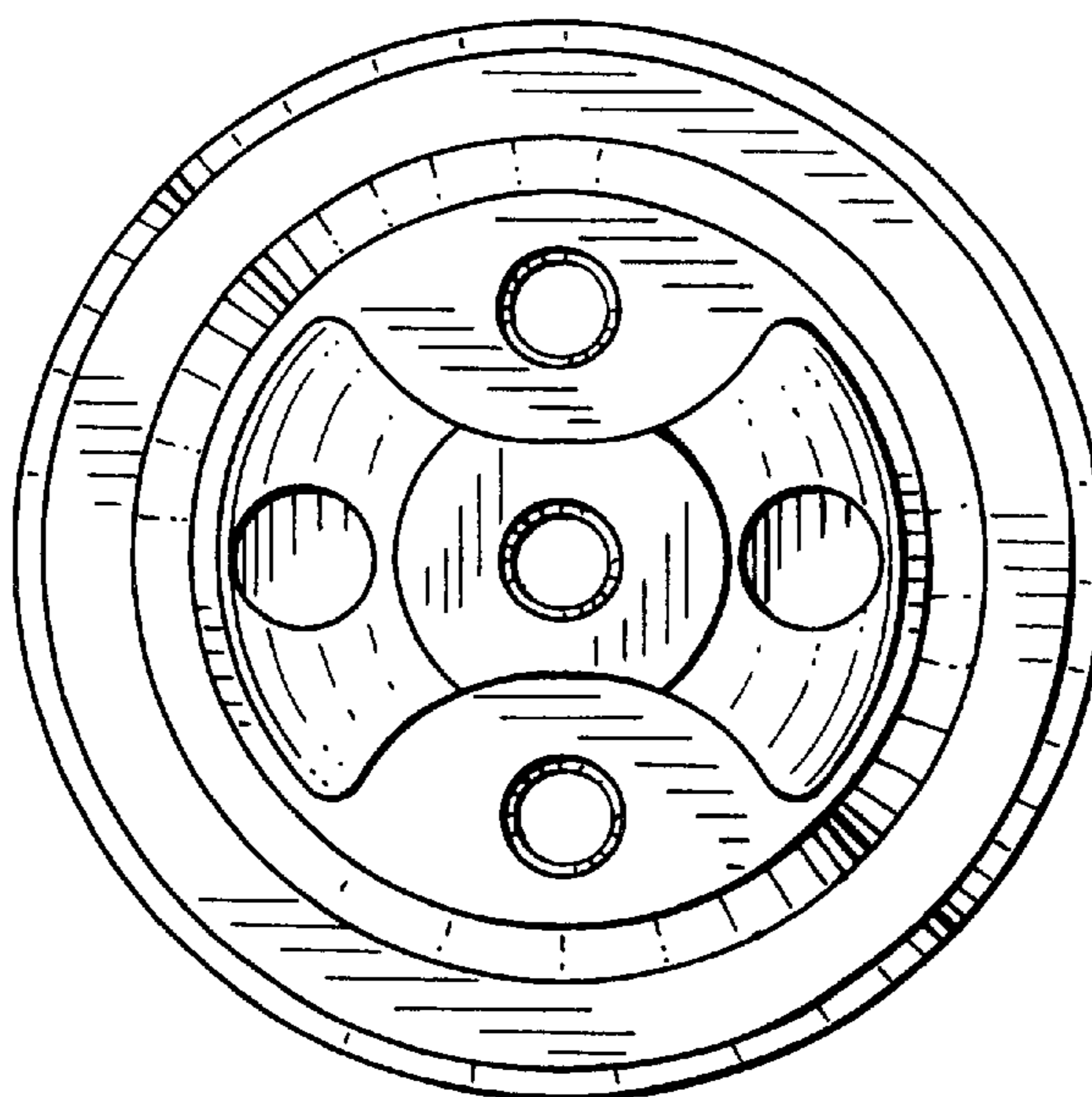


FIG. 6