

US00D519453S

(12) **United States Design Patent**  
**Rodrigues et al.**

(10) **Patent No.:** **US D519,453 S**

(45) **Date of Patent:** **\*\* Apr. 25, 2006**

(54) **SLEEVELESS COAXIAL CABLE  
CONNECTOR IN CLOSED POSITION**

(75) Inventors: **Julio Rodrigues**, Collierville, TN (US);  
**Randy Ward**, Cordova, TN (US)

(73) Assignee: **Thomas & Betts International, Inc.**,  
Wilmington, DE (US)

(\*\*) Term: **14 Years**

(21) Appl. No.: **29/207,532**

(22) Filed: **Jun. 15, 2004**

(51) **LOC (8) Cl.** ..... **13-03**

(52) **U.S. Cl.** ..... **D13/133**

(58) **Field of Classification Search** ..... D13/133,  
D13/149, 151, 154, 184, 199; 439/13, 20,  
439/22, 135, 246, 306, 480, 476.1, 578, 583-585,  
439/805

See application file for complete search history.

(56) **References Cited**

**U.S. PATENT DOCUMENTS**

4,650,228	A	*	3/1987	McMills et al.	.....	285/381.4
4,668,043	A	*	5/1987	Saba et al.	.....	439/585
4,902,246	A	*	2/1990	Samchisen	.....	439/578
5,499,934	A	*	3/1996	Jacobsen et al.	.....	439/585
6,146,197	A	*	11/2000	Holliday et al.	.....	439/585
6,153,830	A	*	11/2000	Montena	.....	174/88 C
D436,076	S	*	1/2001	Montena	.....	D13/133
D437,826	S	*	2/2001	Montena	.....	D13/133
D458,904	S		6/2002	Montena	.....	D13/154
D460,739	S		7/2002	Fox	.....	D13/154

D460,740	S		7/2002	Montena	.....	D13/154
D460,946	S		7/2002	Montena	.....	D13/154
D460,947	S		7/2002	Montena	.....	D13/154
D460,948	S		7/2002	Montena	.....	D13/154
D461,166	S		8/2002	Montena	.....	D13/151
D461,167	S		8/2002	Montena	.....	D13/154
D461,778	S		8/2002	Fox	.....	D13/154
D462,058	S		8/2002	Montena	.....	D13/151
D462,060	S		8/2002	Fox	.....	D13/154
D462,327	S		9/2002	Montena	.....	D13/151
6,530,807	B1		3/2003	Rodrigues et al.	.....	439/578
D505,391	S	*	5/2005	Rodrigues et al.	.....	D13/151
6,887,103	B1	*	5/2005	Montena et al.	.....	439/583
2004/0235351	A1	*	11/2004	Aisenbrey	.....	439/607
2005/0003705	A1	*	1/2005	Rodrigues et al.	.....	439/578

\* cited by examiner

*Primary Examiner*—Stella Reid

*Assistant Examiner*—Daniel Bui

(74) *Attorney, Agent, or Firm*—G. Andrew Barger

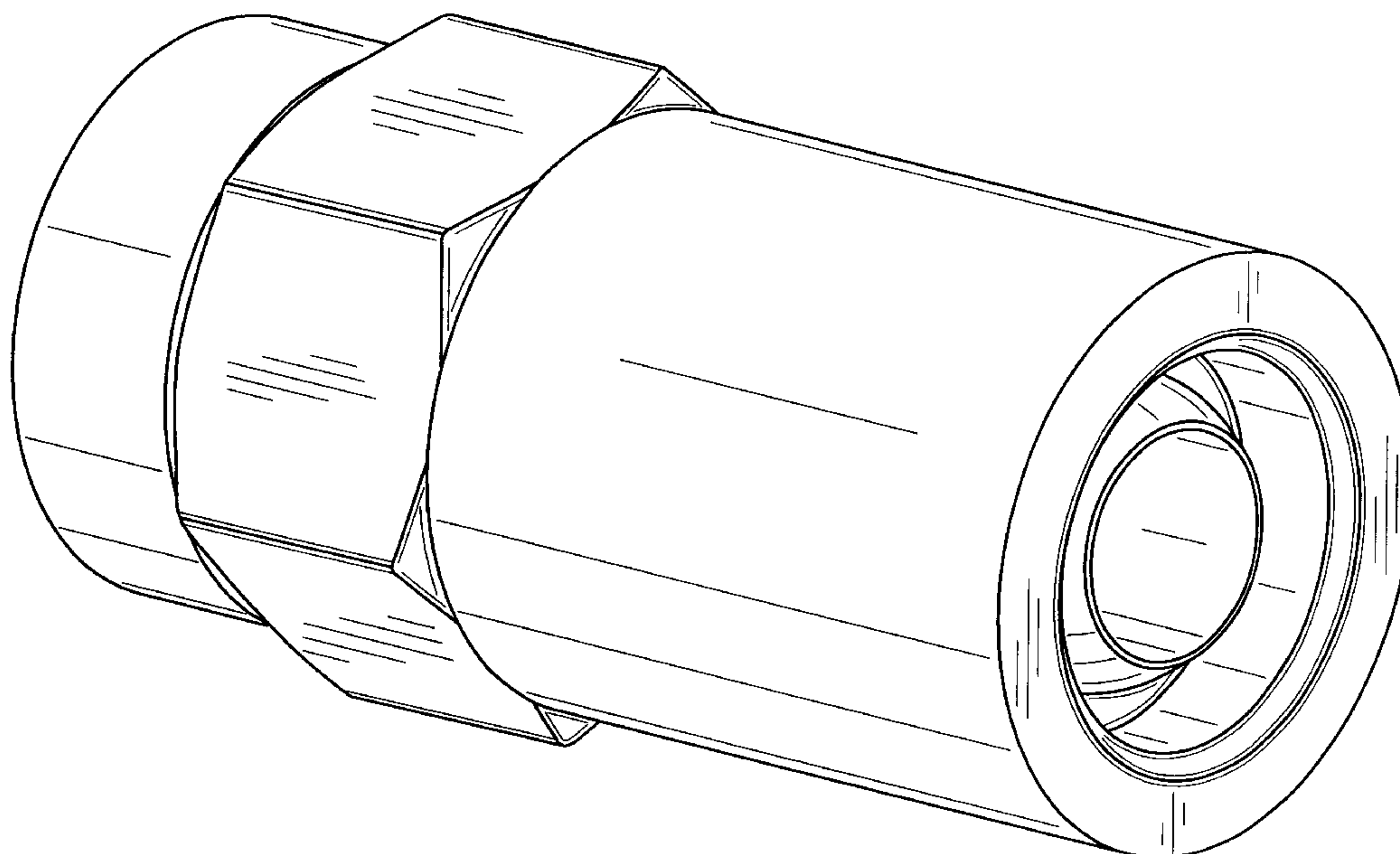
(57) **CLAIM**

The ornamental design for a sleeveless coaxial cable connector in closed position, as shown and described.

**DESCRIPTION**

FIG. 1 is a top perspective view of a sleeveless coaxial cable connector in closed position showing our new design; FIG. 2 is a side elevation view thereof; FIG. 3 is a front elevation view thereof; and, FIG. 4 is a rear elevation view thereof. The portions inside the connector shown in broken lines in FIG. 4 form no part of the claimed design.

**1 Claim, 4 Drawing Sheets**



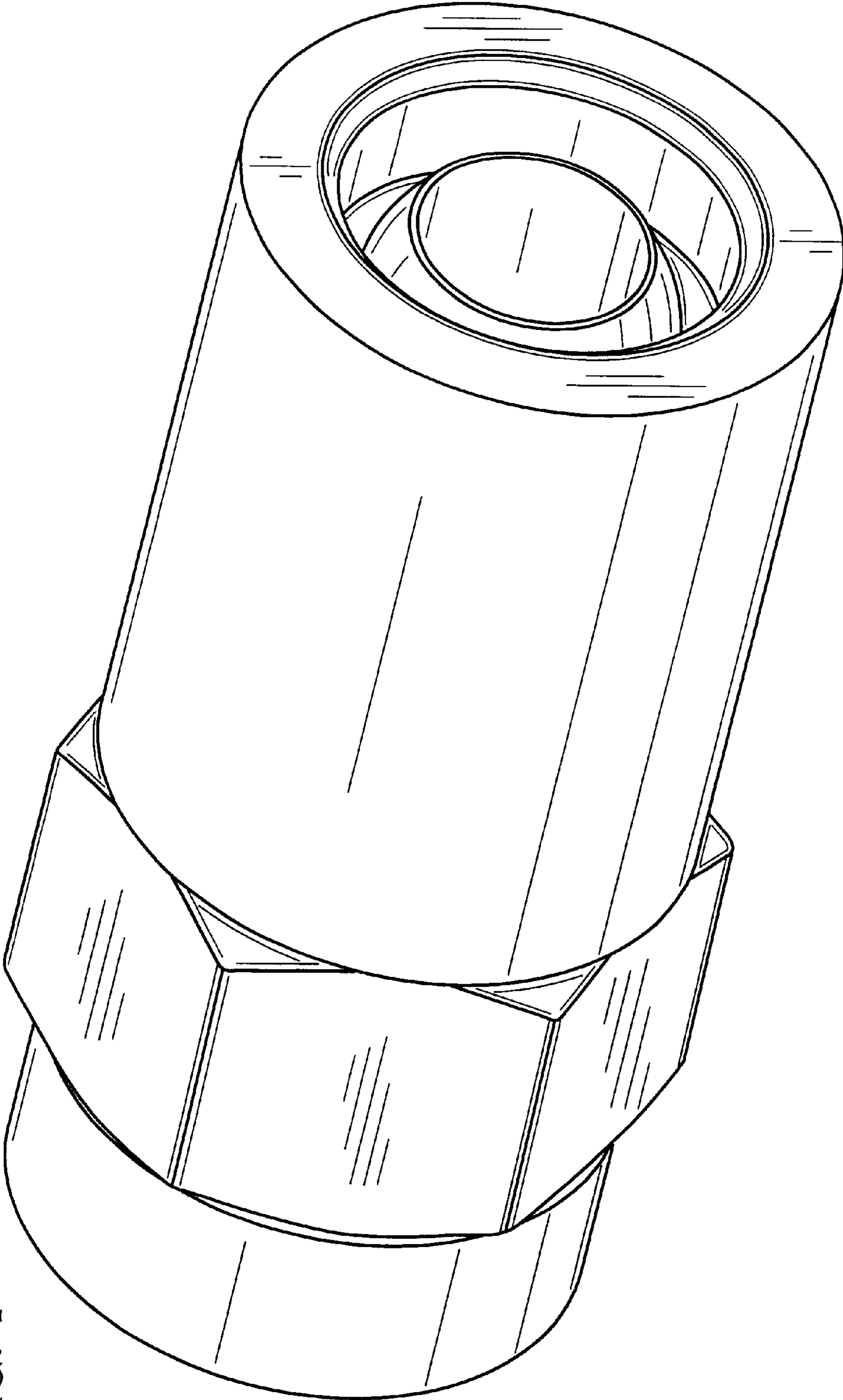


FIG. 1

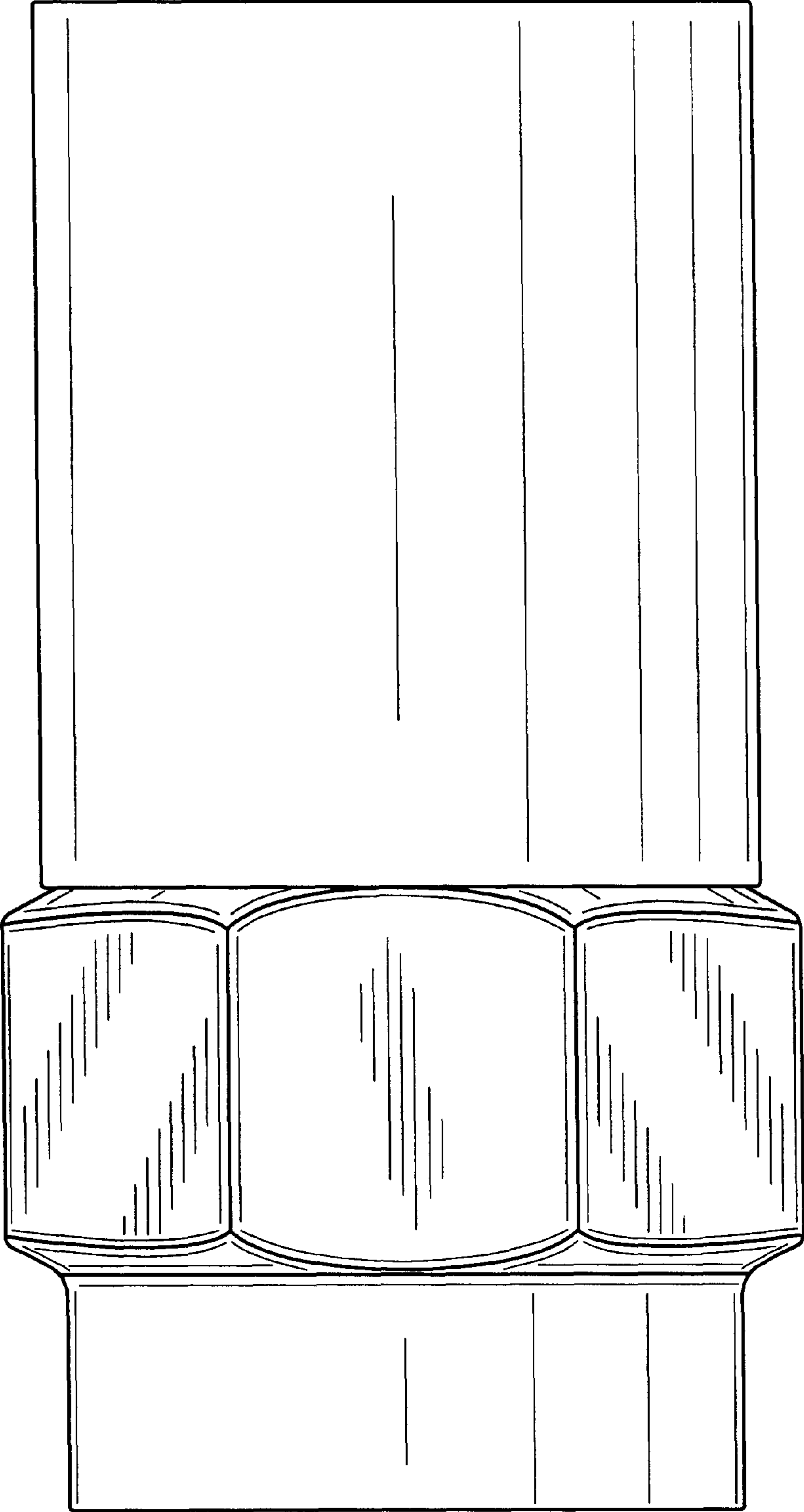


FIG. 2

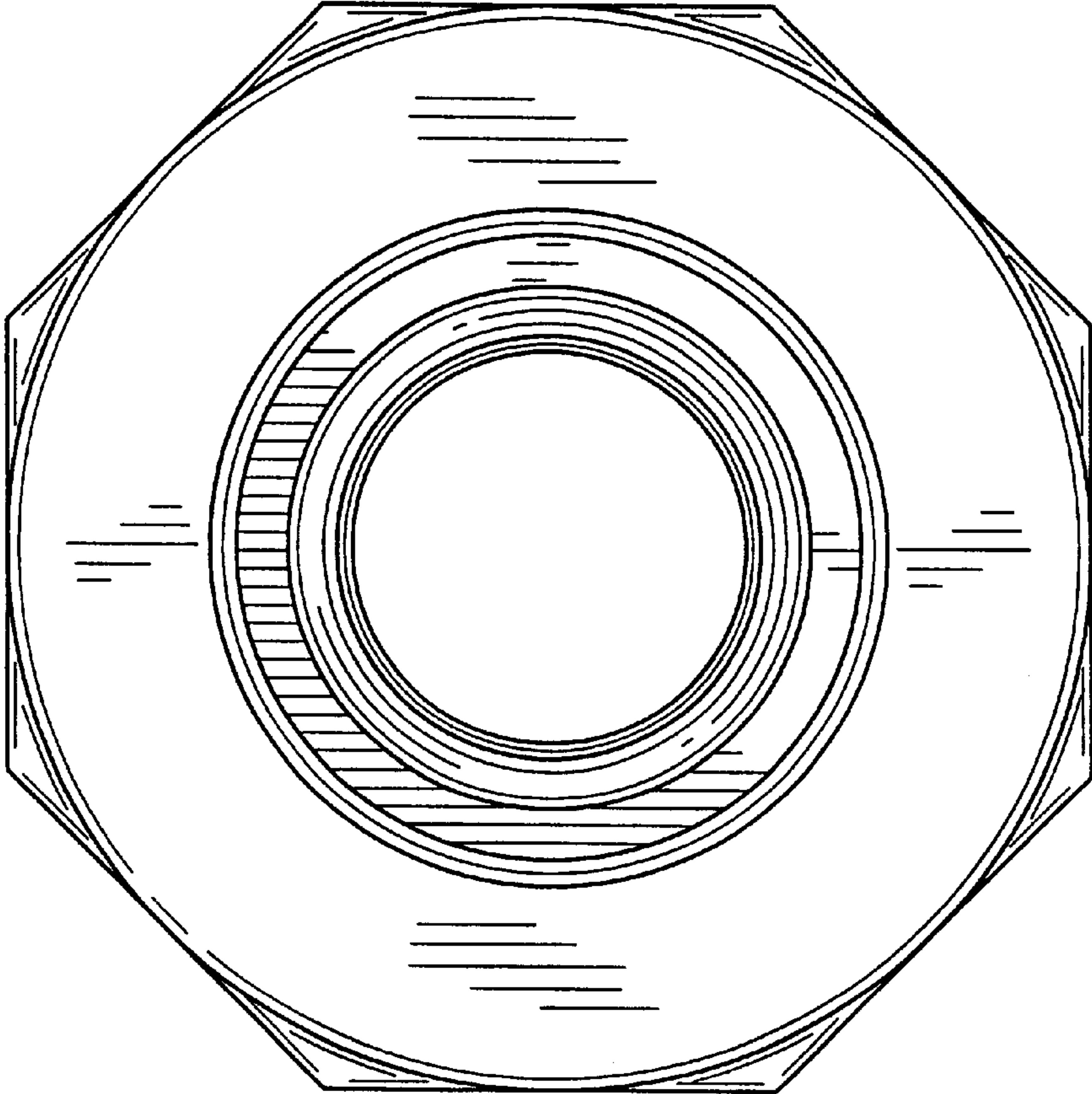


FIG. 3

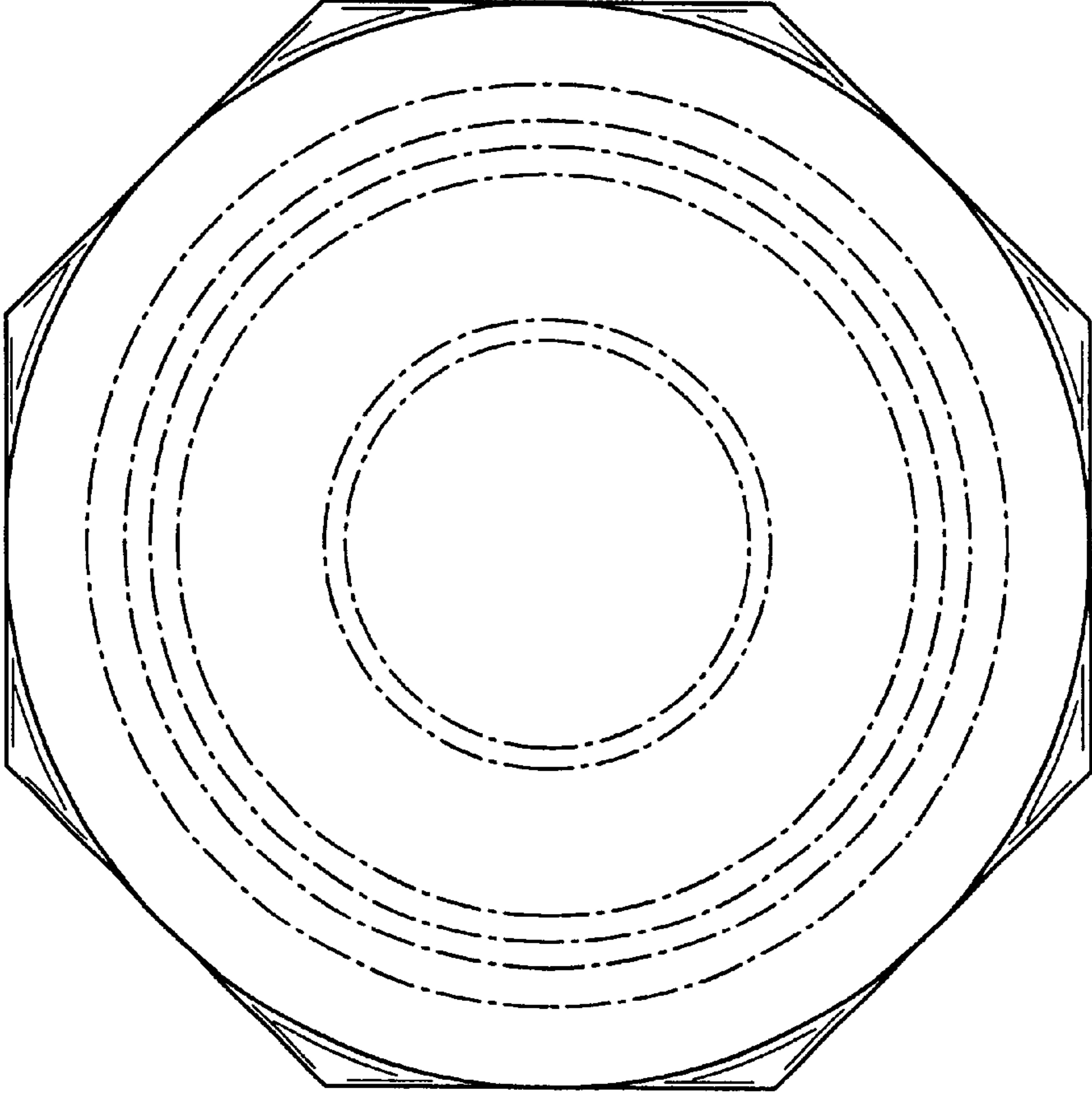


FIG. 4