



US00D519452S

(12) **United States Design Patent**
Rodrigues et al.

(10) **Patent No.:** **US D519,452 S**

(45) **Date of Patent:** **** Apr. 25, 2006**

- (54) **SLEEVELESS COAXIAL CABLE CONNECTOR IN OPEN POSITION**
- (75) Inventors: **Julio Rodrigues**, Collierville, TN (US);
Randy Ward, Cordova, TN (US)
- (73) Assignee: **Thomas & Betts International, Inc.**,
Wilmington, DE (US)
- (**) Term: **14 Years**

D460,740 S	7/2002	Montena	D13/154
D460,946 S	7/2002	Montena	D13/154
D460,947 S	7/2002	Montena	D13/154
D460,948 S	7/2002	Montena	D13/154
D461,166 S	8/2002	Montena	D13/151
D461,167 S	8/2002	Montena	D13/154
D461,778 S	8/2002	Fox	D13/154
D462,058 S	8/2002	Montena	D13/151
D462,060 S	8/2002	Fox	D13/154
D462,327 S	9/2002	Montena	D13/151
6,530,807 B1	3/2003	Rodrigues et al.	439/578
D505,391 S *	5/2005	Rodrigues et al.	D13/151
6,887,103 B1 *	5/2005	Montena et al.	439/583
2004/0235351 A1 *	11/2004	Aisenbrey	439/607
2005/0003705 A1 *	1/2005	Rodrigues et al.	439/578

- (21) Appl. No.: **29/207,531**
- (22) Filed: **Jun. 15, 2004**

- (51) **LOC (8) Cl.** **13-03**
- (52) **U.S. Cl.** **D13/133**
- (58) **Field of Classification Search** D13/133,
D13/149, 151, 154, 184, 199; 439/13, 20,
439/22, 135, 246, 306, 480, 476.1, 578, 583-585,
439/805
See application file for complete search history.

* cited by examiner

Primary Examiner—Stella Reid
Assistant Examiner—Daniel Bui
(74) *Attorney, Agent, or Firm*—G. Andrew Barger

(57) **CLAIM**

The ornamental design for a sleeveless coaxial cable connector in open position, as shown and described.

(56) **References Cited**

U.S. PATENT DOCUMENTS

4,650,228 A *	3/1987	McMills et al.	285/381.4
4,668,043 A *	5/1987	Saba et al.	439/585
4,902,246 A *	2/1990	Samchisen	439/578
5,499,934 A *	3/1996	Jacobsen et al.	439/585
6,146,197 A *	11/2000	Holliday et al.	439/585
6,153,830 A *	11/2000	Montena	174/88 C
D436,076 S *	1/2001	Montena	D13/133
D437,826 S *	2/2001	Montena	D13/133
D458,904 S	6/2002	Montena	D13/154
D460,739 S	7/2002	Fox	D13/154

DESCRIPTION

FIG. 1 is a top perspective view of a sleeveless coaxial cable connector in open position showing our new design; FIG. 2 is a side elevation view thereof; FIG. 3 is a front elevation view thereof; and, FIG. 4 is a rear elevation view thereof. The portions inside the connector shown in broken lines in FIG. 4 form no part of the claimed design.

1 Claim, 4 Drawing Sheets

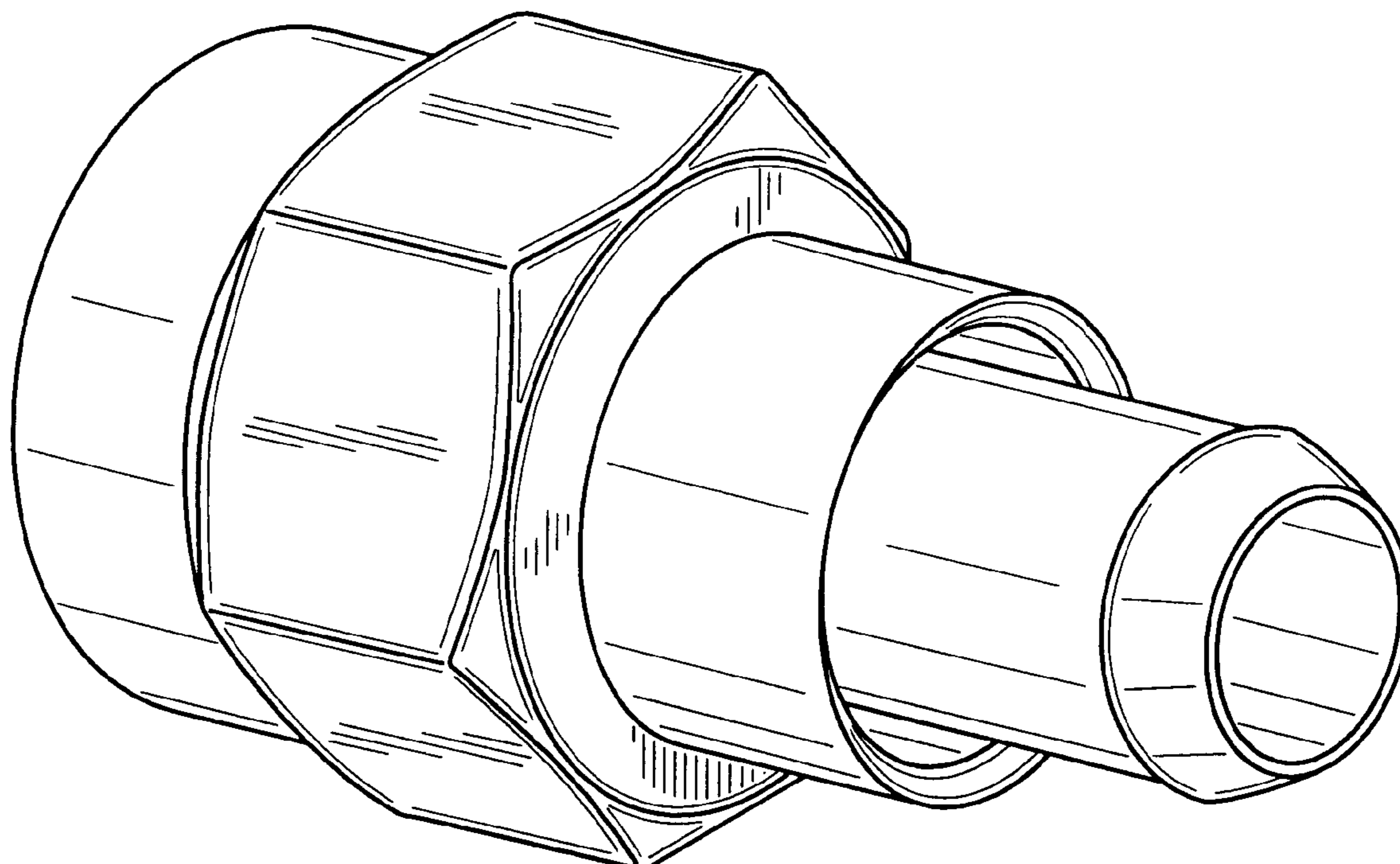


FIG. 1

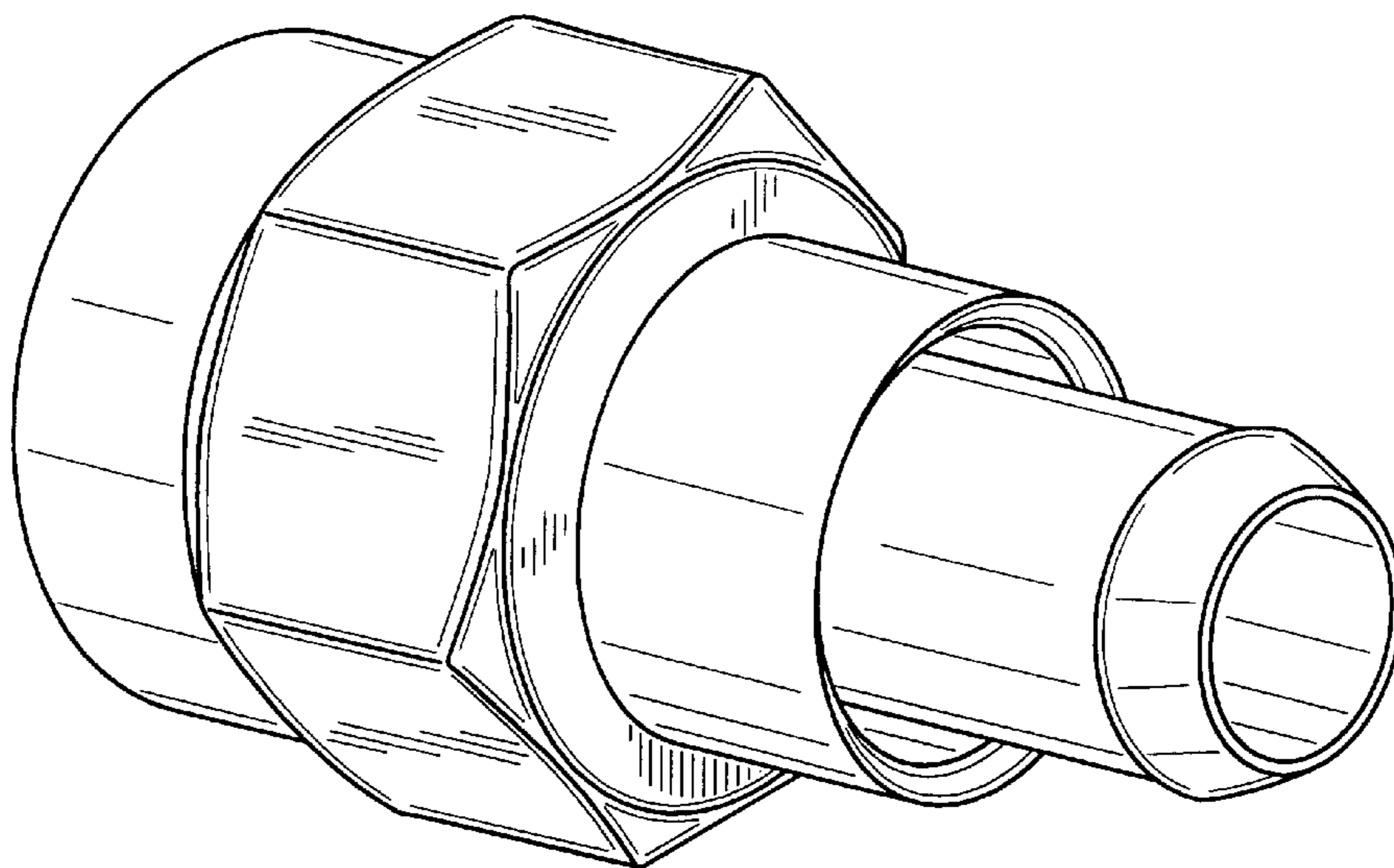


FIG. 2

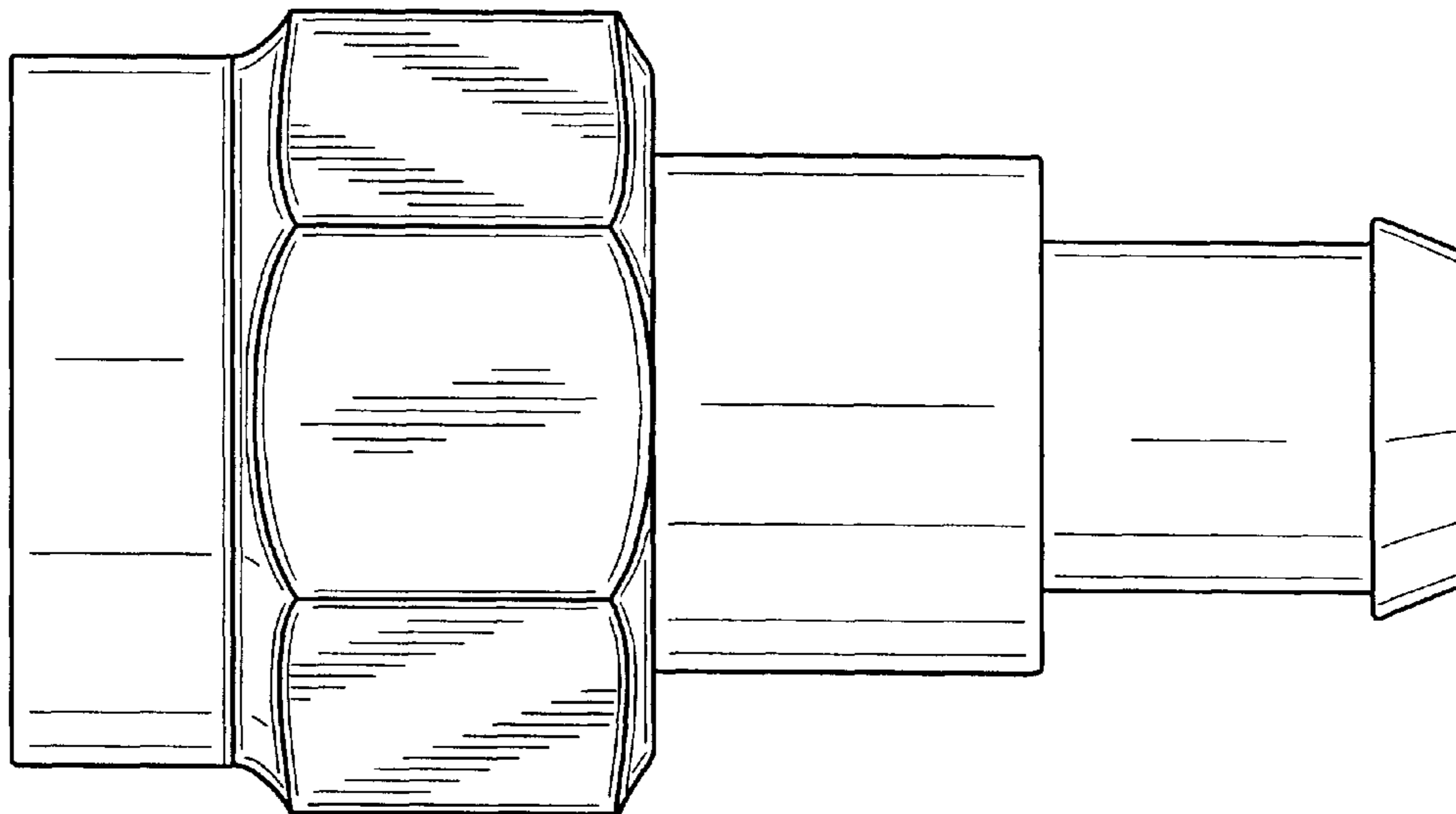


FIG. 3

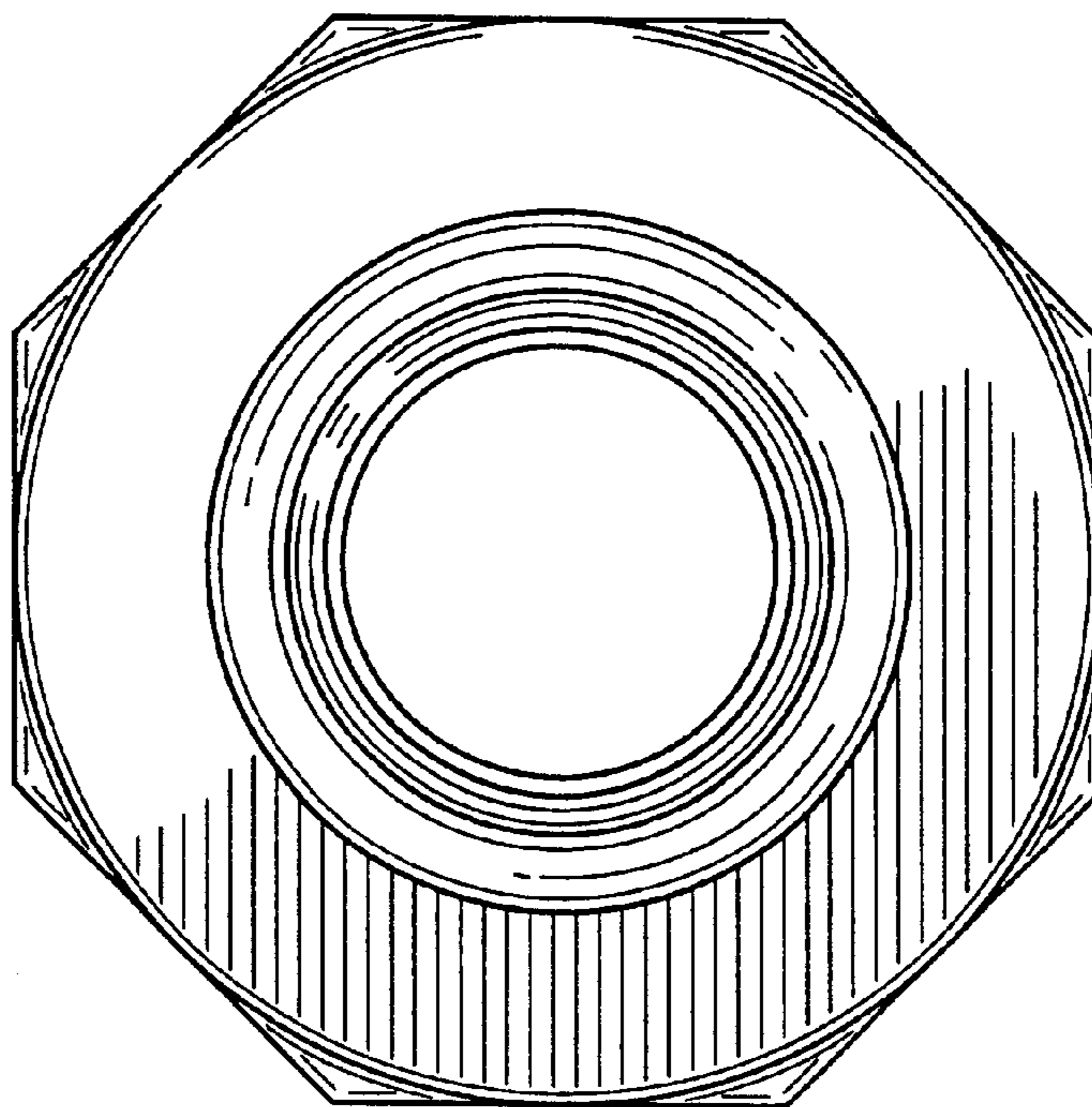


FIG. 4

