



US00D519451S

(12) **United States Design Patent**
Fox

(10) **Patent No.: US D519,451 S**

(45) **Date of Patent: ** *Apr. 25, 2006**

(54) **COAX CABLE CONNECTOR**

(75) Inventor: **Michael Fox**, Jamesville, NY (US)

(73) Assignee: **John Mezzalingua Associates, Inc.**,
East Syracuse, NY (US)

(*) Notice: This patent is subject to a terminal disclaimer.

(**) Term: **14 Years**

(21) Appl. No.: **29/201,794**

(22) Filed: **Mar. 19, 2004**

(51) **LOC (8) Cl. 13-03**

(52) **U.S. Cl. D13/133**

(58) **Field of Classification Search** D13/133,
D13/149, 151, 154, 184, 199; 439/13, 20,
439/22, 135, 246, 306, 480, 476.1, 578, 583-585,
439/805

See application file for complete search history.

(56) **References Cited**

U.S. PATENT DOCUMENTS

2,258,737 A	10/1941	Browne	
3,104,145 A *	9/1963	Somerset	439/584
3,184,708 A	5/1965	Atkins	
3,275,913 A	9/1966	Blanchard et al.	
3,320,575 A *	5/1967	Brown et al.	439/584
3,355,698 A	11/1967	Keller	
3,406,373 A	10/1968	Forney, Jr.	
3,498,647 A	3/1970	Schroder	
3,499,101 A *	3/1970	Hogendobler et al.	174/75 C
3,587,033 A *	6/1971	Brorein et al.	439/322
3,629,792 A	12/1971	Dorrell	
3,671,922 A	6/1972	Zerlin et al.	
3,710,005 A	1/1973	French	
3,845,453 A	10/1974	Hemmer	
D233,991 S *	12/1974	Smith et al.	D13/151
3,915,539 A	10/1975	Collins	
3,936,132 A	2/1976	Hutter	
3,985,418 A	10/1976	Spinner	
4,046,451 A	9/1977	Juds et al.	
4,053,200 A	10/1977	Pugner	

4,059,330 A *	11/1977	Shirey	439/578
4,076,367 A *	2/1978	Avins	439/583
4,126,372 A	11/1978	Hashimoto et al.	
4,168,921 A	9/1979	Blanchard	
4,227,765 A	10/1980	Neumann et al.	
4,280,749 A	7/1981	Hemmer	
4,339,166 A	7/1982	Dayton	
4,346,958 A	8/1982	Blanchard	
4,373,767 A	2/1983	Cairns	
4,400,050 A	8/1983	Hayward	
4,408,822 A	10/1983	Nikitas	
4,444,453 A	4/1984	Kirby et al.	
4,484,792 A	11/1984	Tengler et al.	
4,533,191 A	8/1985	Blackwood	
4,545,637 A	10/1985	Bosshard et al.	

(Continued)

FOREIGN PATENT DOCUMENTS

DE	1 191 880	4/1954
DE	32 11 008	10/1983
GB	1087 228	10/1967
GB	1270846	4/1972
GB	2079 549	1/1982

Primary Examiner—Stella Reid

Assistant Examiner—Daniel Bui

(74) *Attorney, Agent, or Firm*—Wall Marjama & Bilinski LLP

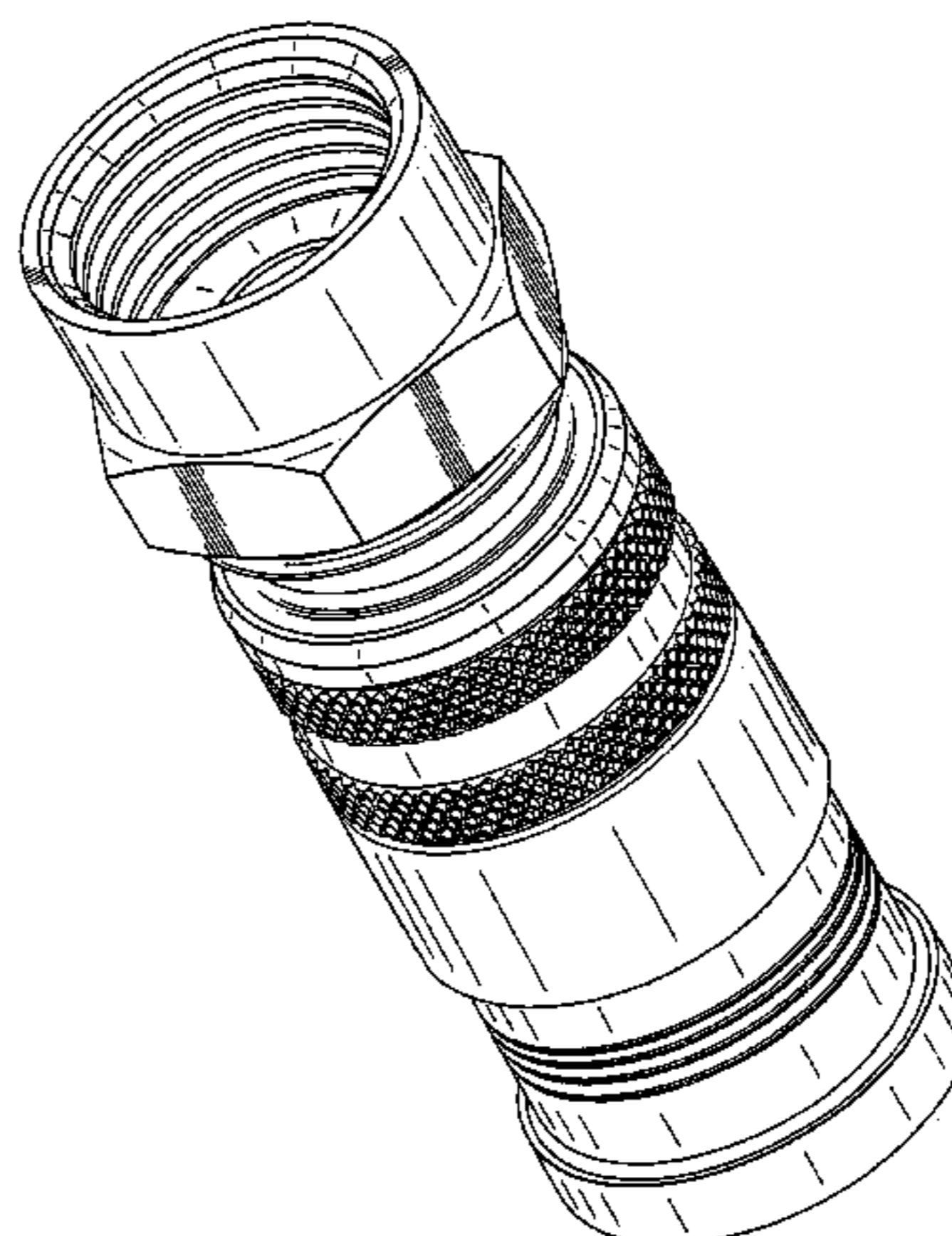
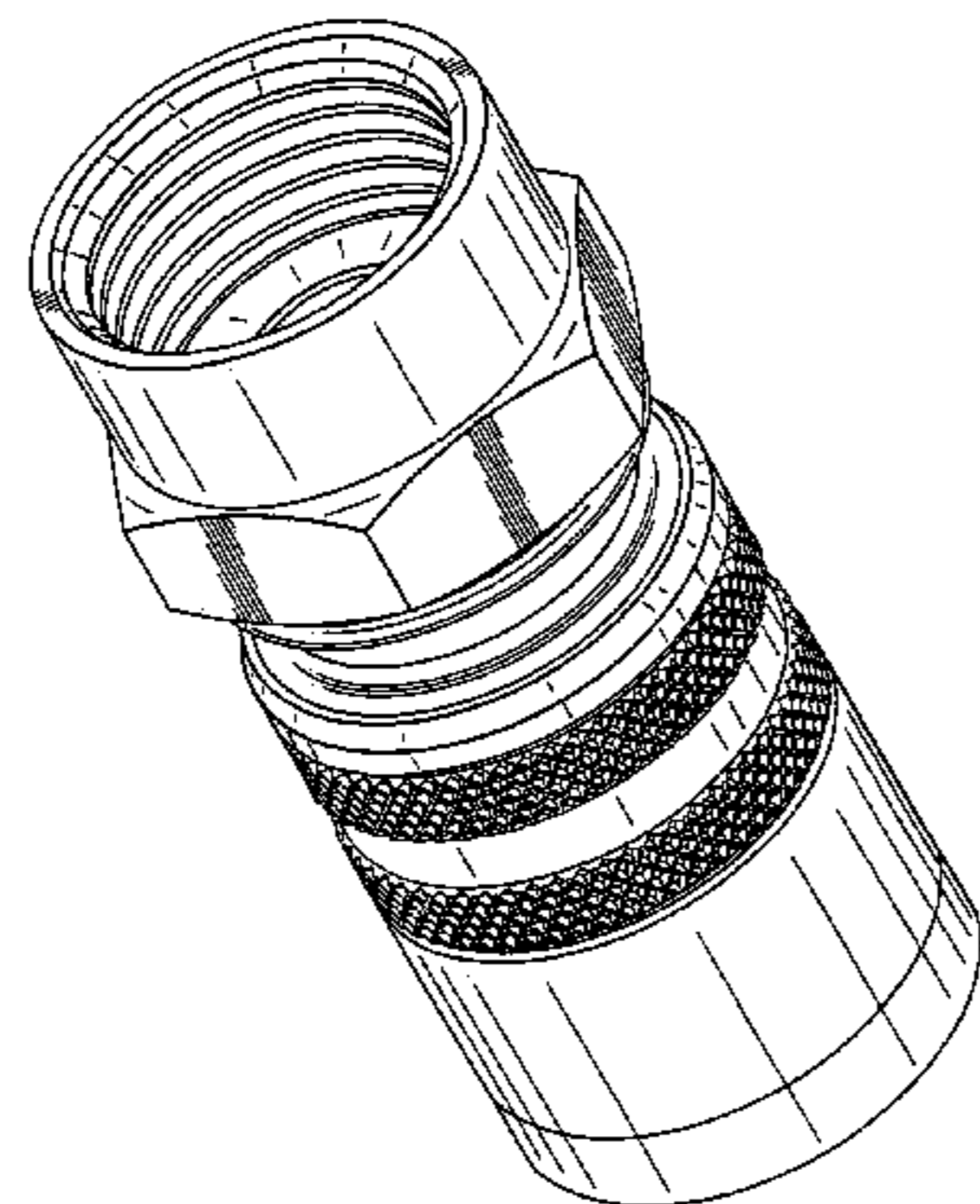
(57) **CLAIM**

The ornamental design for a coax cable connector, as shown and described.

DESCRIPTION

FIG. 1 is a top plan view of my new design of a coax cable connector;
FIG. 2 is a bottom plan view thereof;
FIG. 3 is a top perspective view thereof, in a closed position;
FIG. 4 is a bottom perspective view thereof, in an open position;
FIG. 5 is a top perspective view thereof; and,
FIG. 6 is a front elevation view thereof, with the rear elevation view being a mirror image thereto.

1 Claim, 5 Drawing Sheets



US D519,451 S

U.S. PATENT DOCUMENTS					
			5,195,906 A	3/1993	Szegda
			5,205,761 A	4/1993	Nilsson
4,553,806 A	11/1985	Forney, Jr. et al.	5,207,602 A	5/1993	McMills et al.
4,575,274 A	3/1986	Hayward	5,217,391 A	6/1993	Fisher, Jr.
4,583,811 A	4/1986	McMills	5,217,393 A	6/1993	Del Negro et al.
4,593,964 A	6/1986	Forney, Jr. et al.	5,269,701 A	12/1993	Leibfried, Jr.
4,596,435 A	6/1986	Bickford	5,283,853 A	2/1994	Szegda
4,600,263 A	7/1986	DeChamp et al.	5,295,864 A	3/1994	Birch et al.
4,614,390 A	9/1986	Baker	5,310,359 A *	5/1994	Chadbourne et al. 439/462
4,645,281 A	2/1987	Burger	5,316,494 A	5/1994	Flanagan et al.
4,650,228 A	3/1987	McMills et al.	5,342,218 A	8/1994	McMills et al.
4,655,159 A	4/1987	McMills	5,371,819 A	12/1994	Szegda
4,660,921 A	4/1987	Hauver	5,371,821 A	12/1994	Szegda
4,668,043 A	5/1987	Saba et al.	5,371,827 A	12/1994	Szegda
4,674,818 A	6/1987	McMills et al.	D355,641 S *	2/1995	Down D13/151
4,676,577 A	6/1987	Szegda	5,393,244 A	2/1995	Szegda
4,691,976 A	9/1987	Cowen	5,431,583 A	7/1995	Szegda
4,738,009 A	4/1988	Down et al.	5,444,810 A	8/1995	Szegda
4,746,305 A	5/1988	Nomura	5,455,548 A	10/1995	Grandchamp et al.
4,747,786 A	5/1988	Hayashi et al.	5,456,611 A	10/1995	Henry et al.
4,755,152 A	7/1988	Elliot et al.	5,456,614 A	10/1995	Szegda
4,806,116 A	2/1989	Ackerman	5,466,173 A	11/1995	Down
4,813,886 A	3/1989	Roos et al.	5,470,257 A	11/1995	Szegda
4,813,887 A	3/1989	Capp	5,494,454 A	2/1996	Johnsen
4,834,675 A	5/1989	Samchisen	5,501,616 A	3/1996	Holliday
4,854,893 A	8/1989	Morris	5,525,076 A	6/1996	Down
4,857,014 A	8/1989	Alf et al.	D371,342 S *	7/1996	Lundback D13/151
4,869,679 A	9/1989	Szegda	5,542,861 A	8/1996	Anhalt et al.
4,892,275 A	1/1990	Szegda	5,548,088 A	8/1996	Gray et al.
4,902,246 A	2/1990	Samchisen	5,598,132 A	1/1997	Stabile
4,906,207 A	3/1990	Banning et al.	5,651,699 A	7/1997	Holliday
4,923,412 A	5/1990	Morris	5,667,405 A	9/1997	Holliday
4,925,403 A	5/1990	Zorzy	5,975,951 A	11/1999	Burris et al.
4,929,188 A	5/1990	Lionetto et al.	5,997,350 A	12/1999	Burris et al.
4,990,104 A	2/1991	Schieferly	6,032,358 A	3/2000	Wild
4,990,105 A	2/1991	Karlovich	6,102,737 A	8/2000	Gohdes
4,990,106 A	2/1991	Szegda	6,153,830 A	11/2000	Montena
5,002,503 A	3/1991	Campbell et al.	D437,826 S	2/2001	Montena
5,021,010 A	6/1991	Wright	D440,939 S *	4/2001	Montena D13/133
5,024,606 A	6/1991	Ming-Hwa	D462,327 S	9/2002	Montena
5,037,328 A	8/1991	Karlovich	6,491,546 B1	12/2002	Perry
5,062,804 A	11/1991	Jamet et al.	D468,696 S	1/2003	Montena
5,066,248 A	11/1991	Gaver, Jr. et al.	D475,976 S	6/2003	Montena
5,073,129 A	12/1991	Szegda	D475,977 S	6/2003	Montena
5,083,943 A	1/1992	Tarrant	6,644,993 B1	11/2003	Victor
5,127,853 A	7/1992	McMills et al.	6,672,903 B1	1/2004	Chen
5,131,862 A	7/1992	Gershfeld	D503,685 S *	4/2005	Montena D13/154
5,141,451 A	8/1992	Down	2002/0013088 A1	1/2002	Rodrigues et al.
5,181,161 A	1/1993	Hirose et al.			
D333,511 S *	2/1993	Mikiya et al. D23/262			* cited by examiner

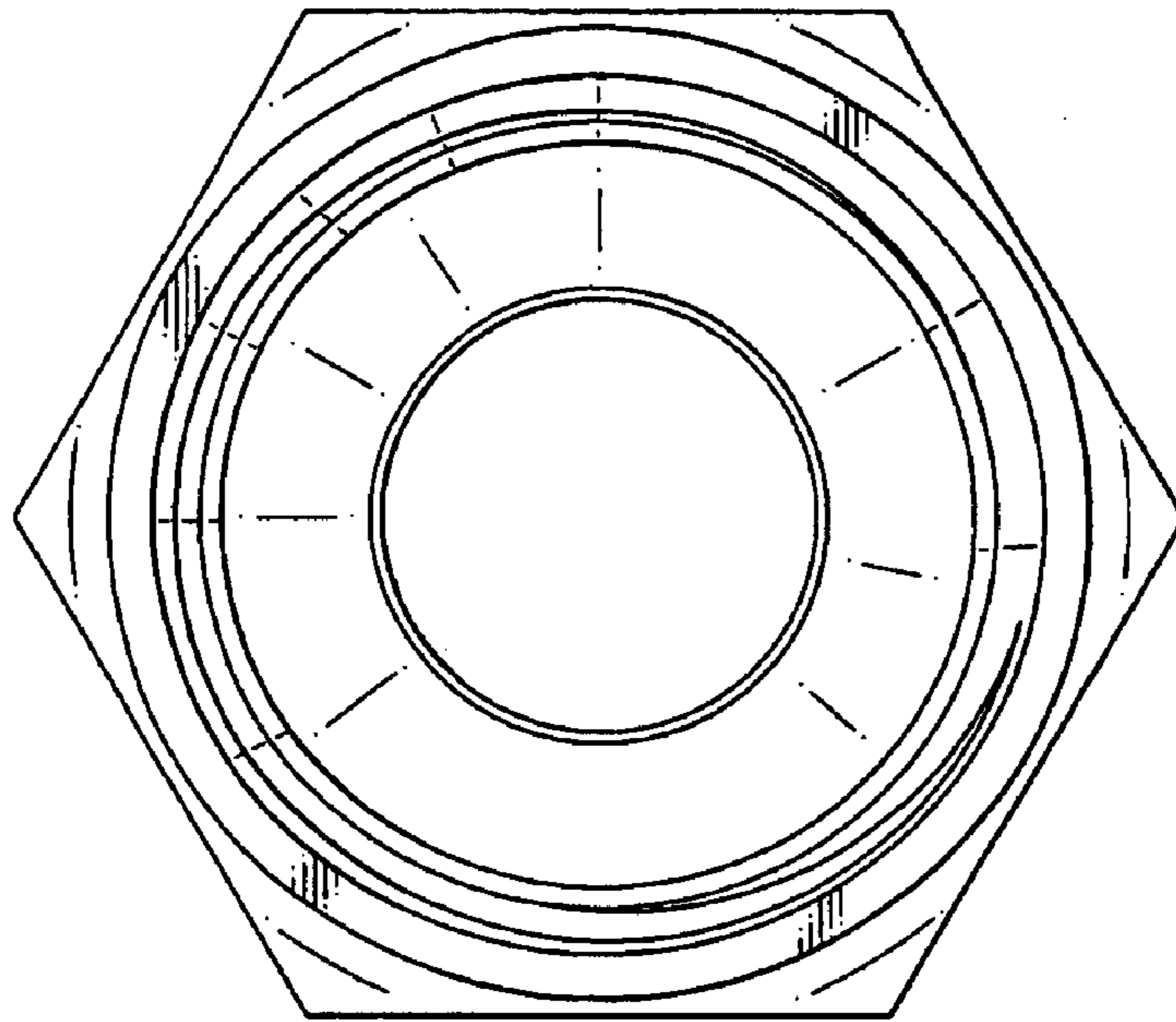


FIG.1

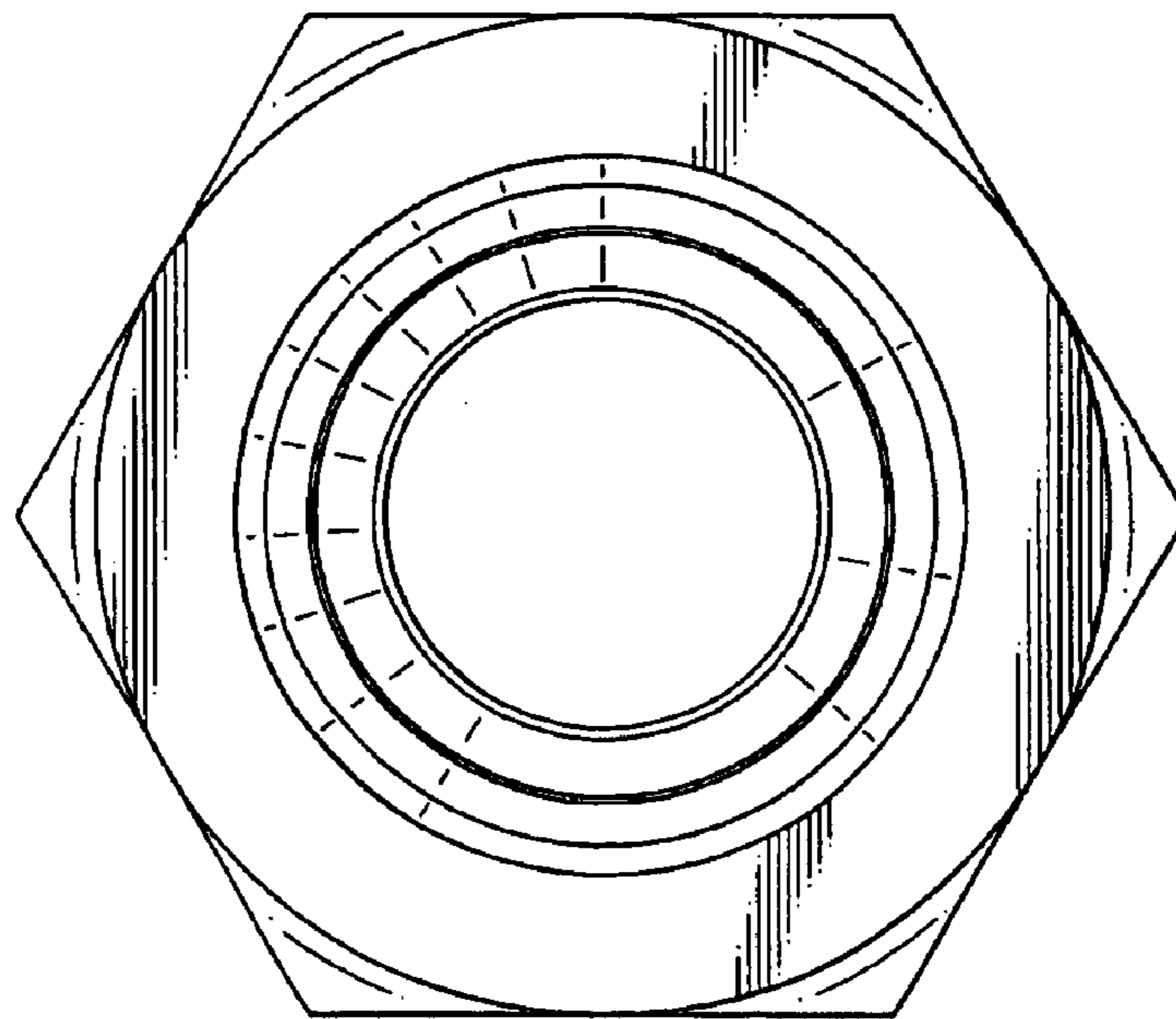


FIG.2

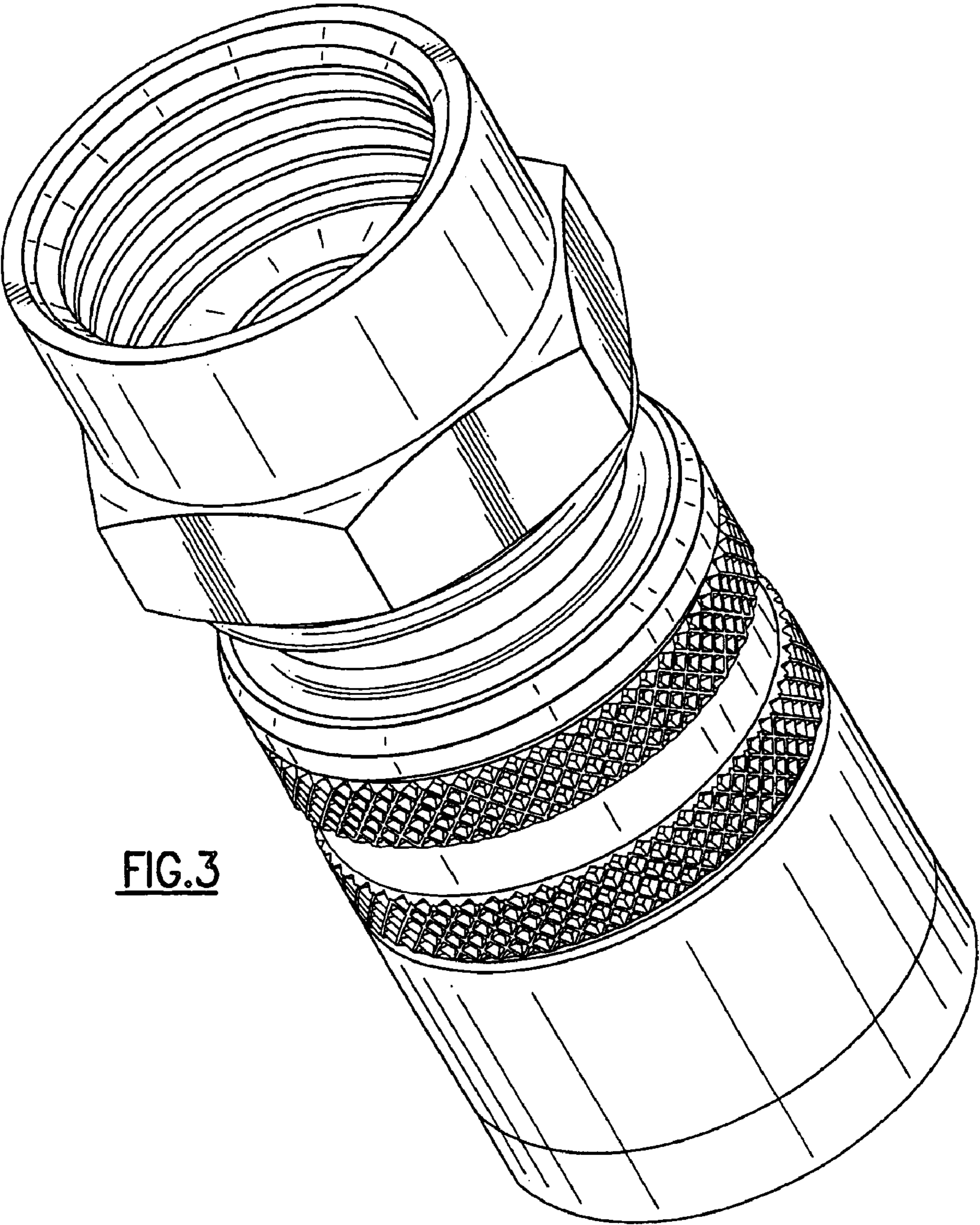


FIG. 3

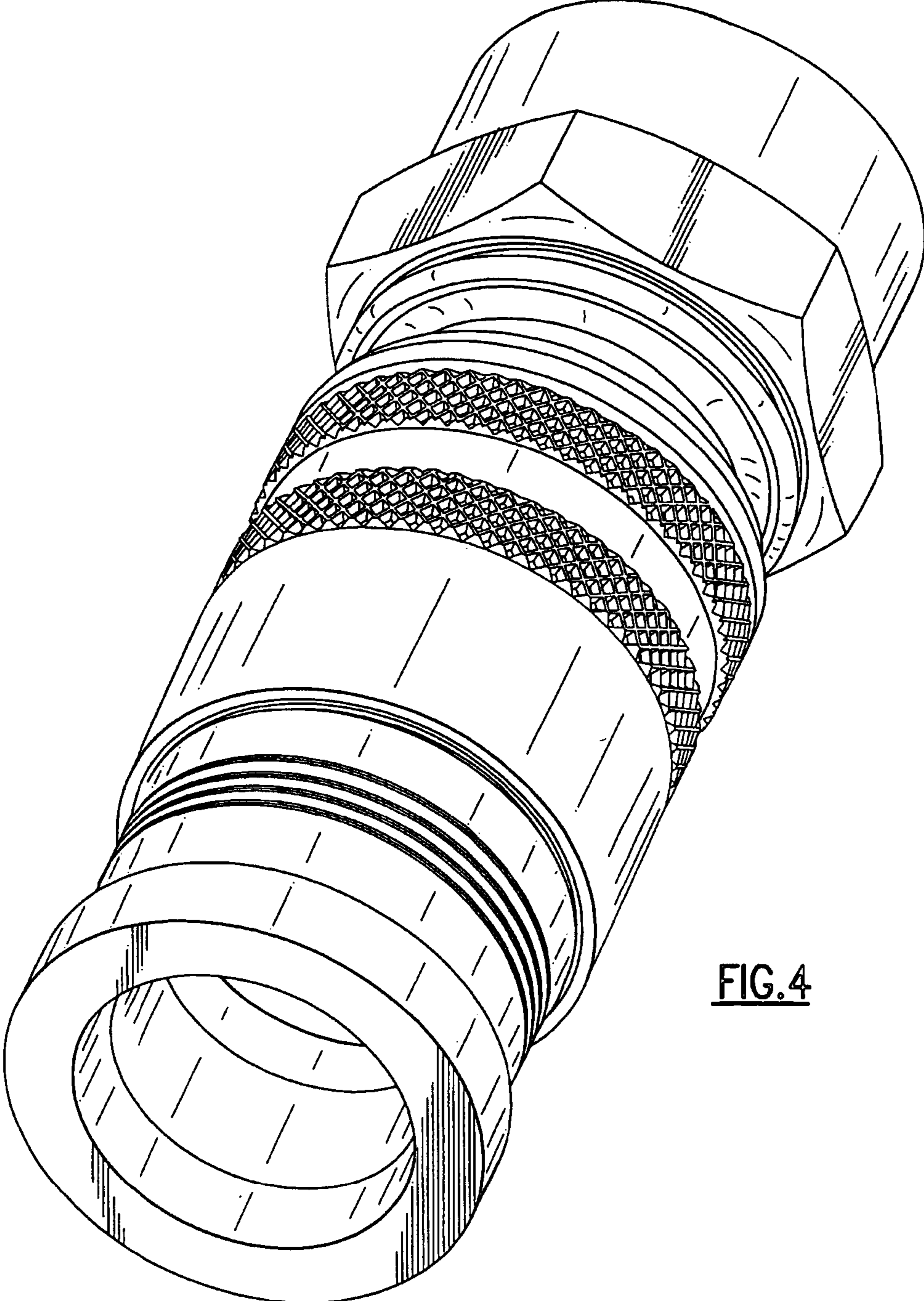


FIG. 4

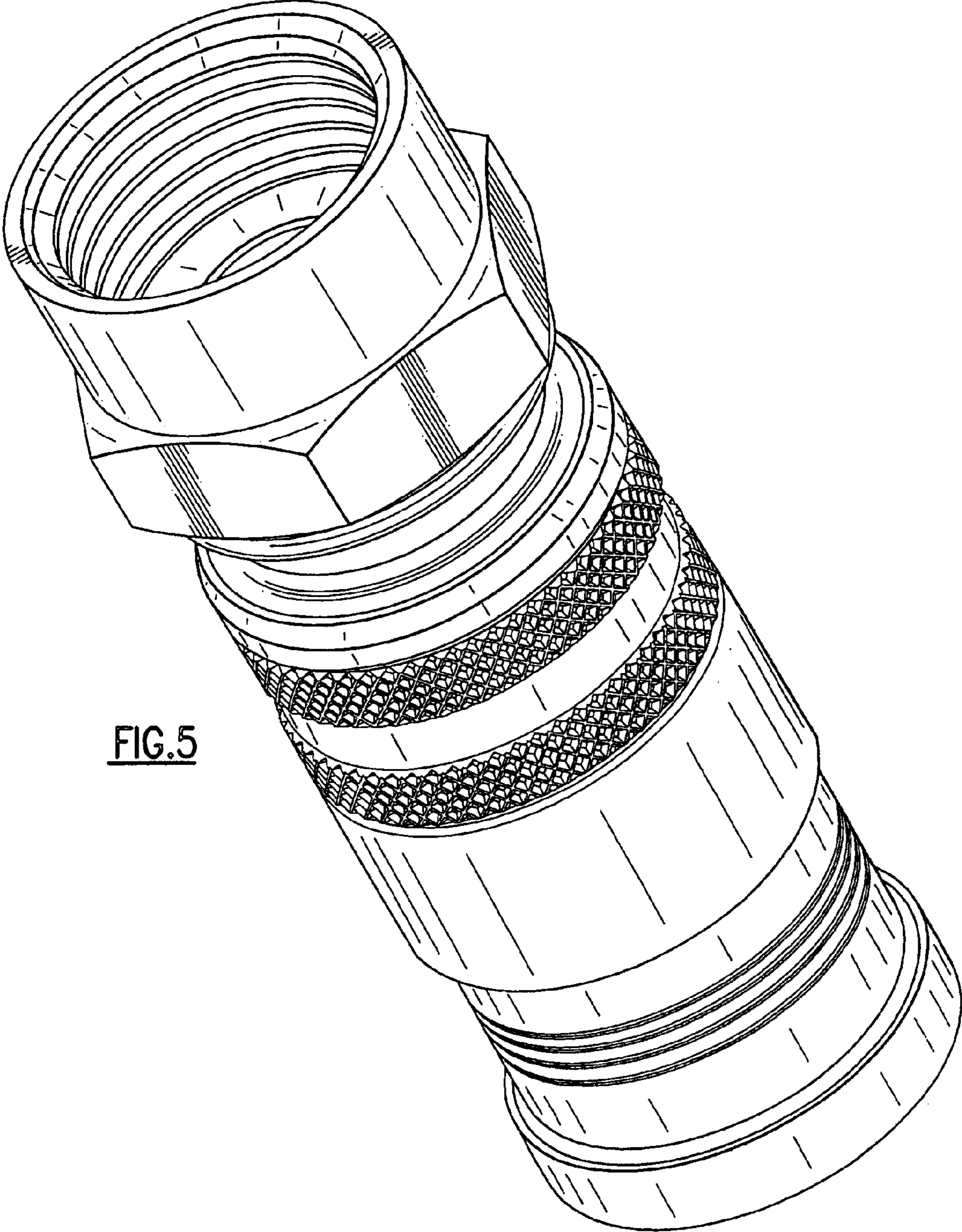


FIG.5

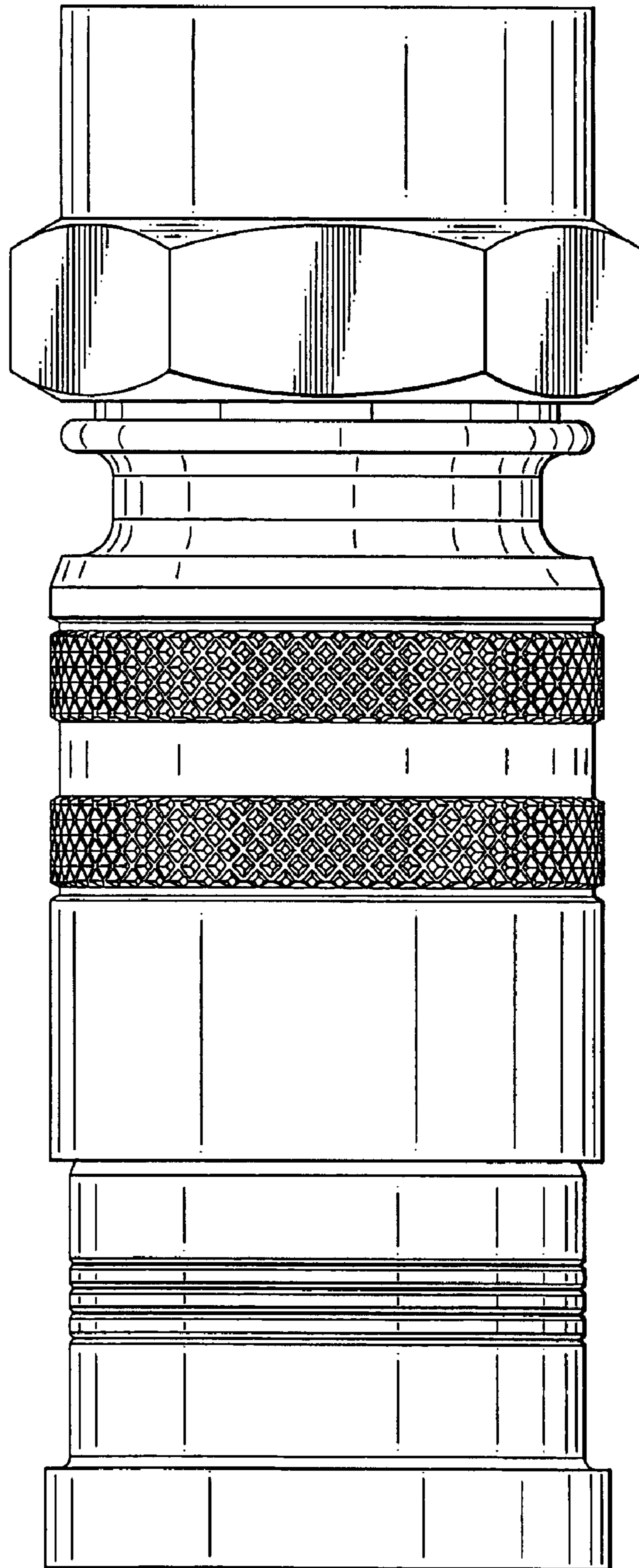


FIG. 6