



US00D519448S

(12) **United States Design Patent**
Leung

(10) **Patent No.:** **US D519,448 S**

(45) **Date of Patent:** **** Apr. 25, 2006**

(54) **PORTABLE JUMP STARTER WITH BLINKERS**

D495,993 S * 9/2004 Krieger et al. D13/107
D504,661 S * 5/2005 Krieger et al. D13/107
D507,524 S * 7/2005 Krieger et al. D13/107

(75) Inventor: **Kwok Wai Leung**, Hong Kong (HK)

* cited by examiner

(73) Assignee: **Fee Tat Holdings (H.K.) Limited** (HK)

Primary Examiner—Alan P. Douglas

(**) Term: **14 Years**

Assistant Examiner—Rosemary K. Tarcza

(74) *Attorney, Agent, or Firm*—Akerman Senterfitt

(21) Appl. No.: **29/224,708**

(57) **CLAIM**

(22) Filed: **Mar. 4, 2005**

The ornamental design for a portable jump starter with blinkers, as shown and described.

(51) **LOC (8) Cl.** **13-02**

(52) **U.S. Cl.** **D13/107**

(58) **Field of Classification Search** D13/106–110,
D13/118, 184; 320/105, 107–115

See application file for complete search history.

DESCRIPTION

(56) **References Cited**

U.S. PATENT DOCUMENTS

D374,859 S * 10/1996 Guay et al. D13/110
D432,985 S * 10/2000 Wan D13/107
RE37,482 E * 12/2001 Guay et al. D13/110
D464,619 S * 10/2002 Krieger et al. D13/110
D464,935 S * 10/2002 Krieger et al. D13/110
D466,862 S * 12/2002 Casarella D13/107
D479,194 S * 9/2003 Casarella D13/107
D480,357 S * 10/2003 Miao D13/107
D483,326 S * 12/2003 Krieger et al. D13/107
D493,137 S * 7/2004 Casarella D13/107

FIG. 1 is a perspective view of the portable jump starter with blinkers.

FIG. 2 is a front view of the portable jump starter with blinkers.

FIG. 3 is a rear view of the portable jump starter with blinkers.

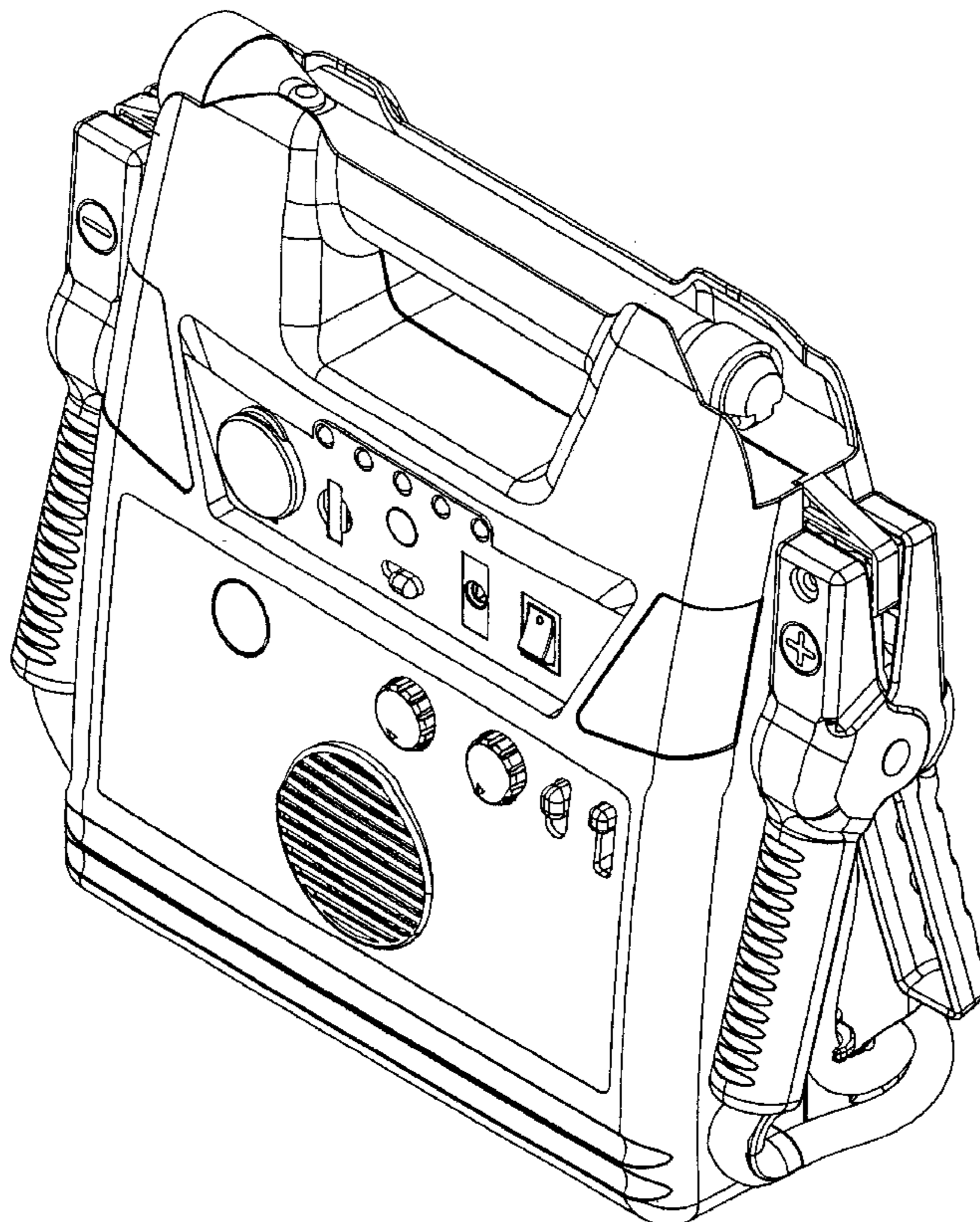
FIG. 4 is a top view of the portable jump starter with blinkers.

FIG. 5 is a bottom view of the portable jump starter with blinkers.

FIG. 6 is a left side view of the portable jump starter with blinkers; and,

FIG. 7 is a right side view of the portable jump starter with blinkers.

1 Claim, 7 Drawing Sheets



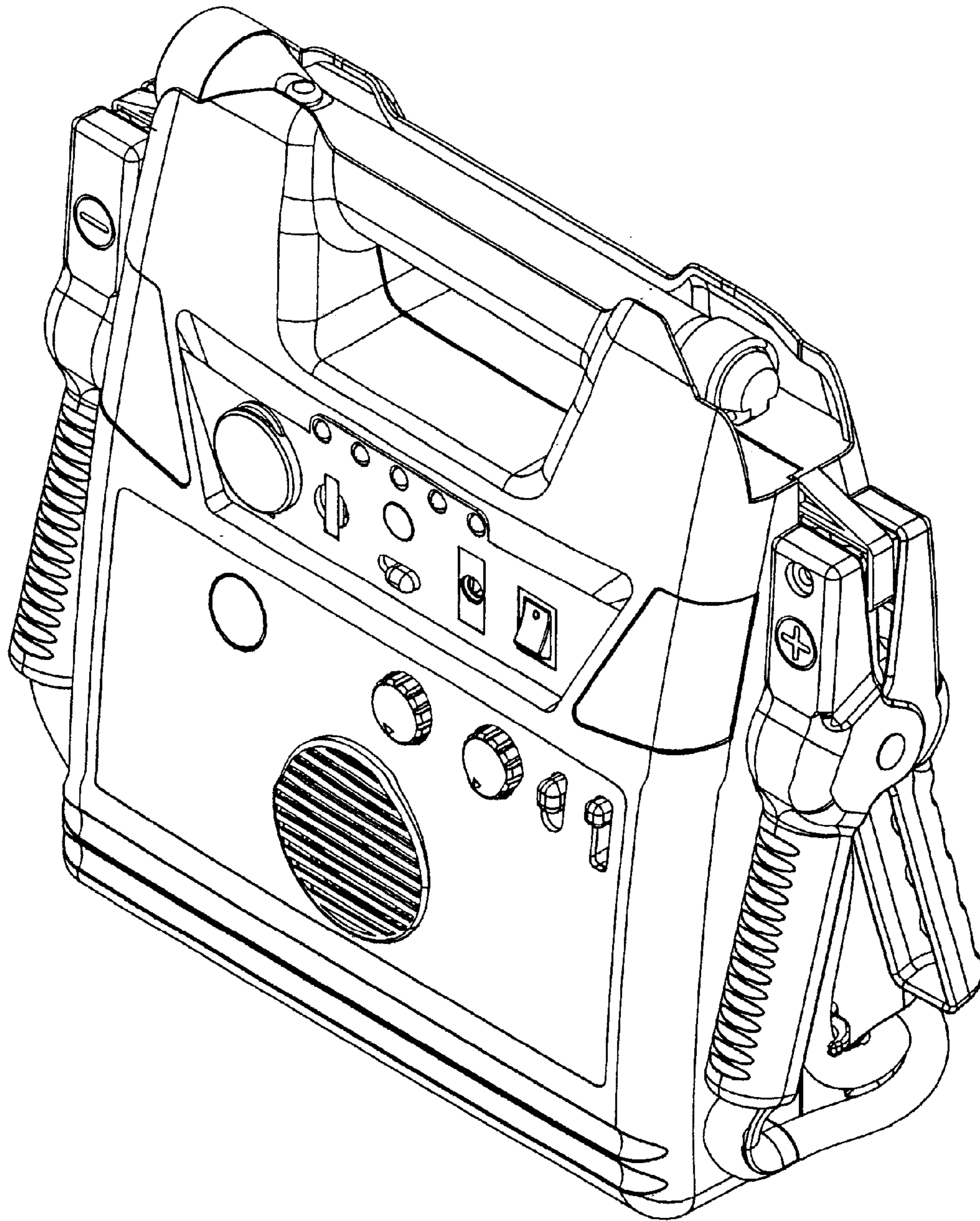


FIG. 1

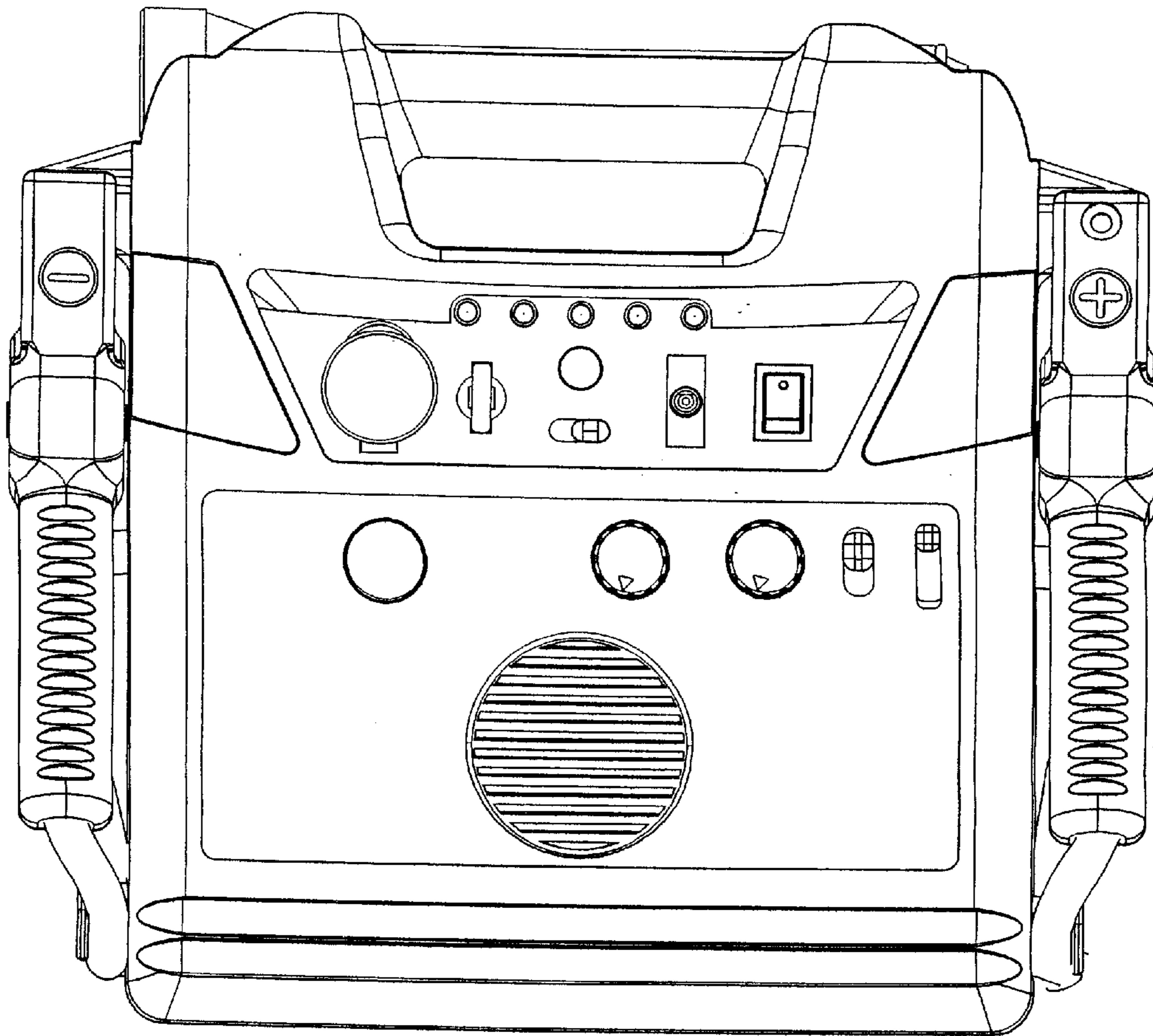


FIG. 2

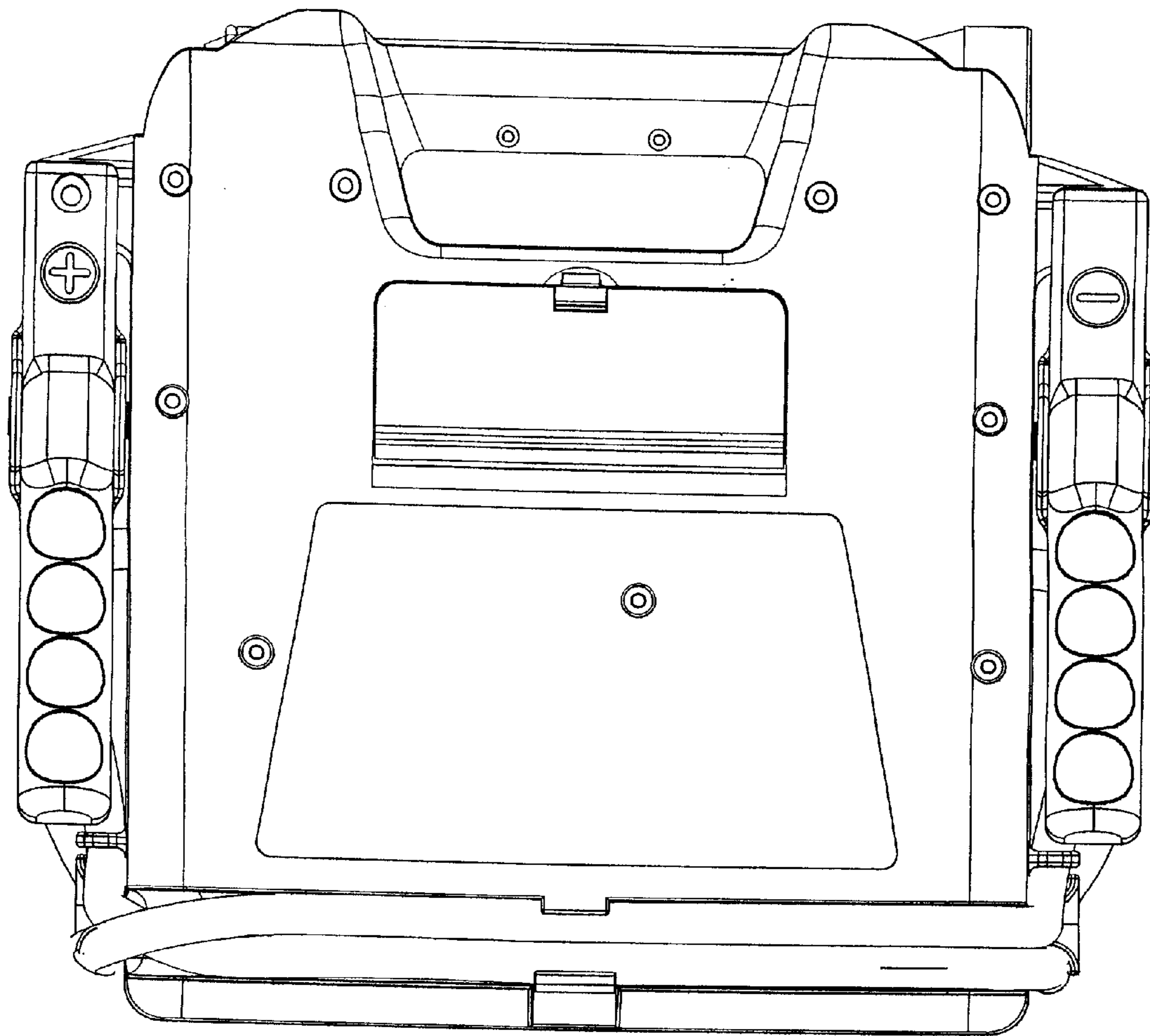


FIG. 3

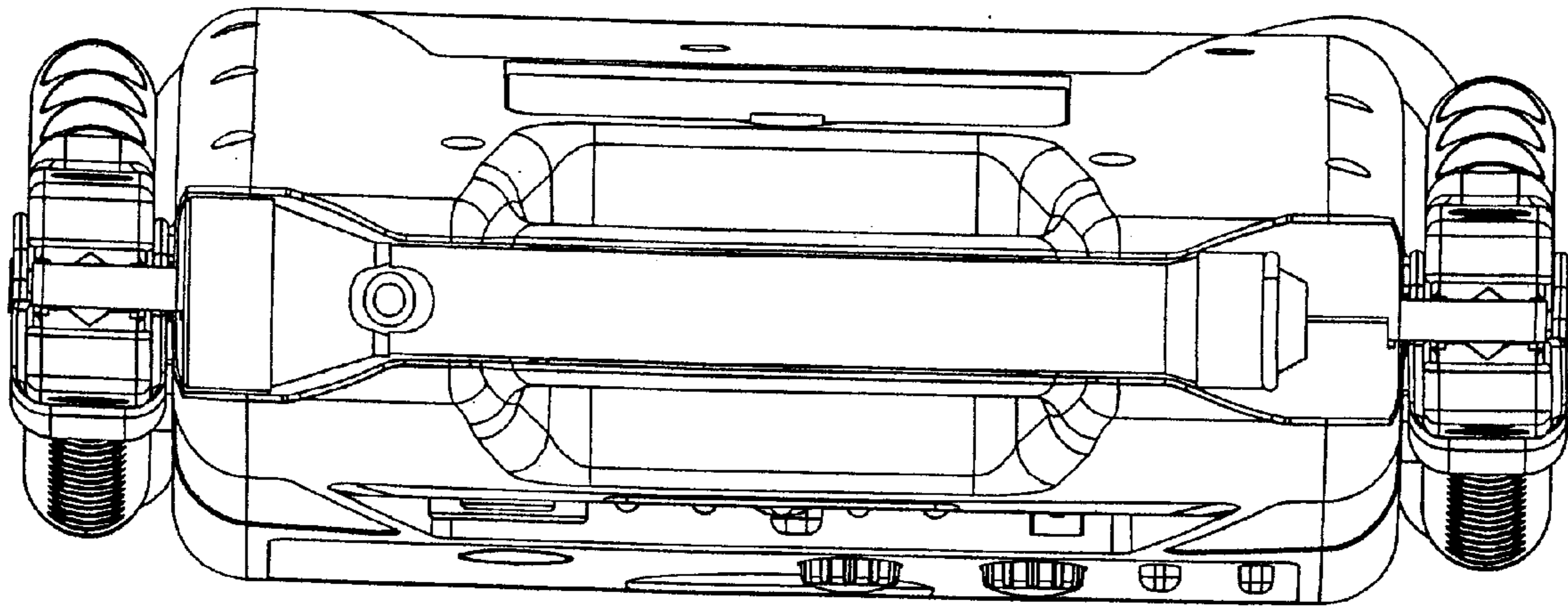


FIG. 4

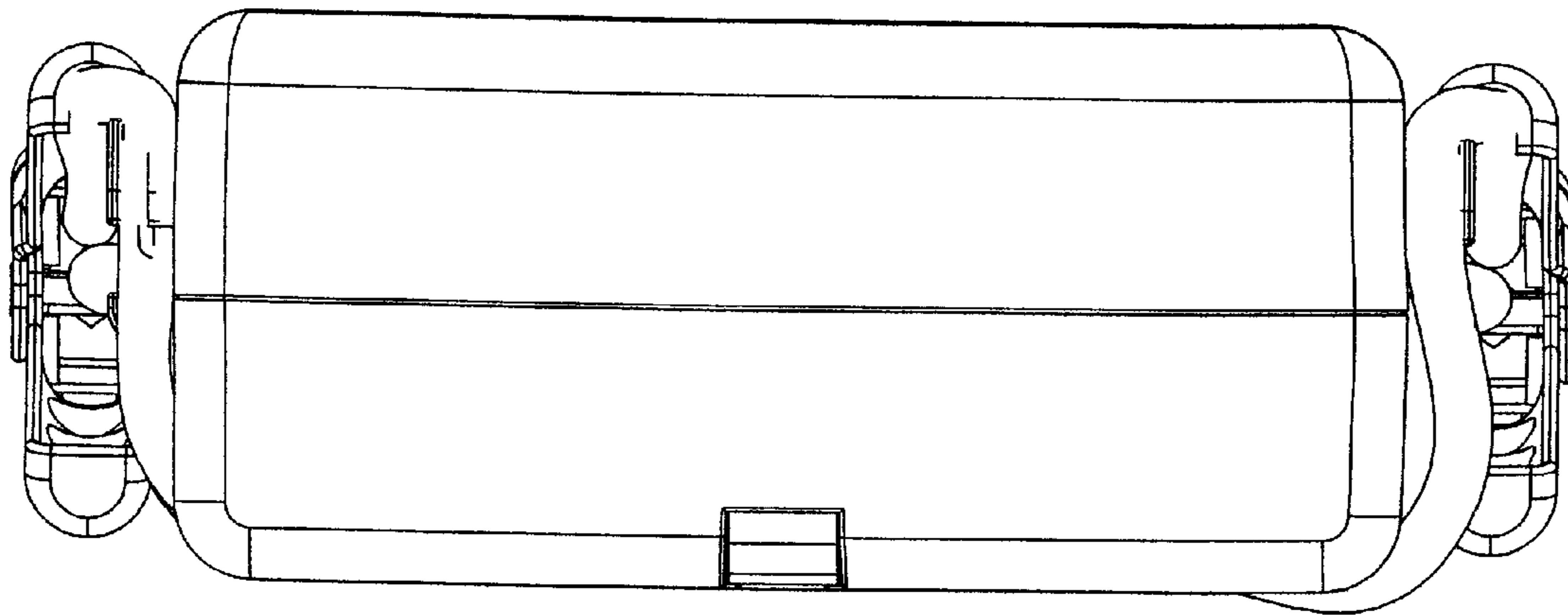


FIG. 5

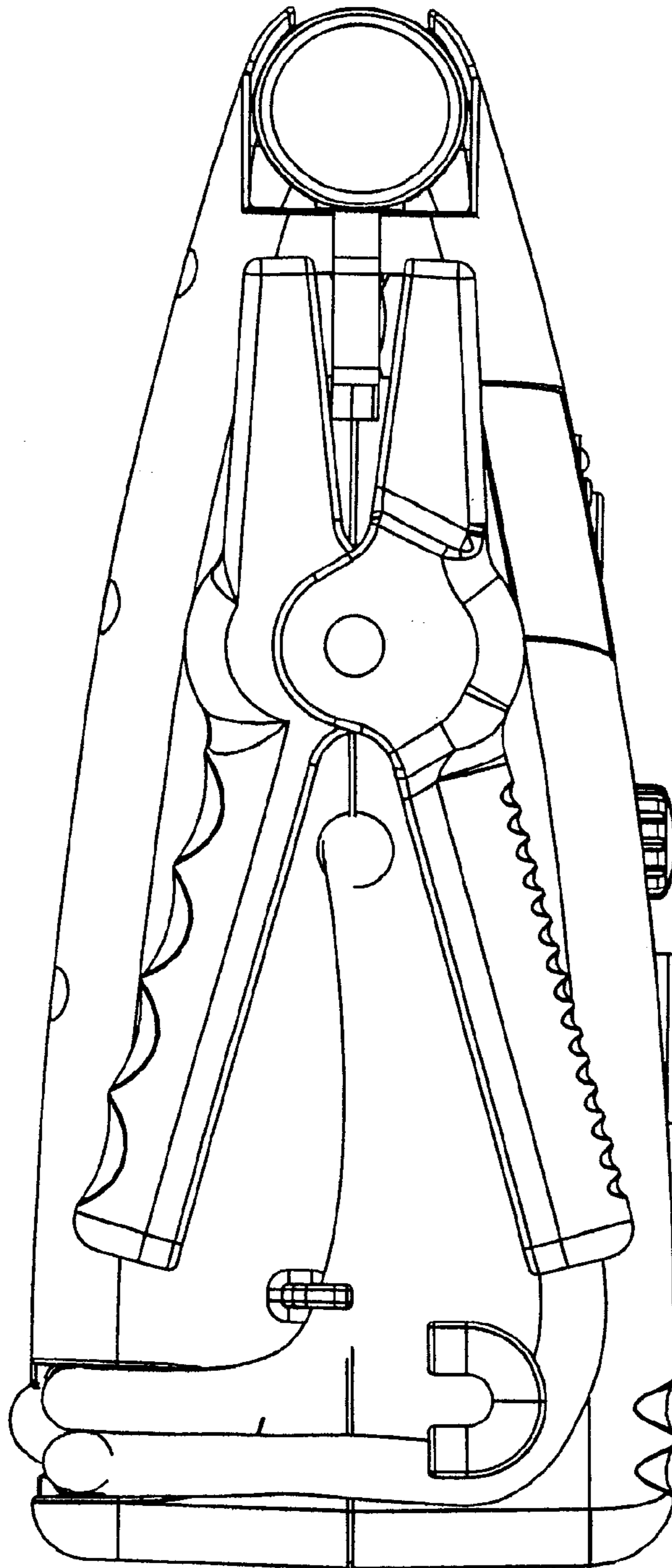


FIG. 6

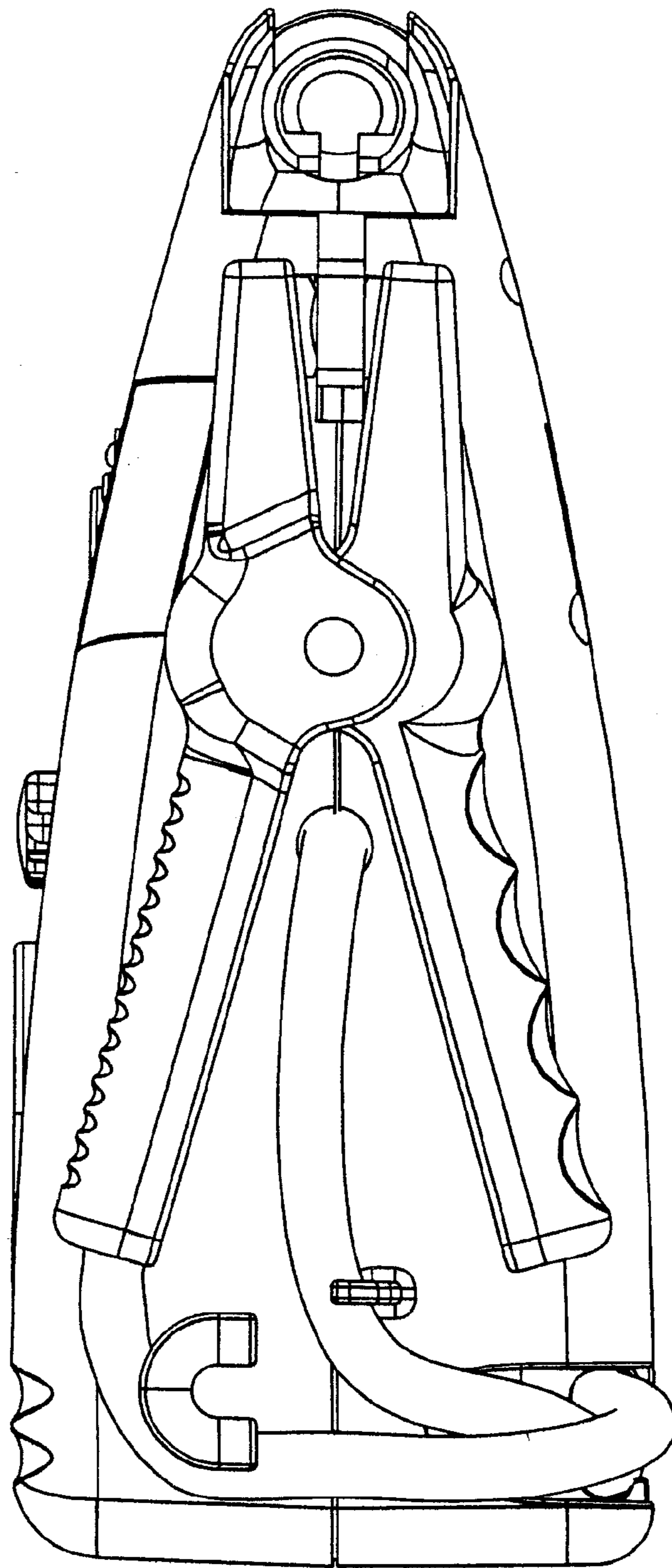


FIG. 7