



US00D519447S

(12) **United States Design Patent**
Lie

(10) **Patent No.:** **US D519,447 S**

(45) **Date of Patent:** **** Apr. 25, 2006**

(54) **BATTERY CHARGER**

(75) Inventor: **Sen-Nen Lie**, Kwun Tong (HK)

(73) Assignee: **Kolvin Industries Limited**, Kowloon (HK)

(**) Term: **14 Years**

(21) Appl. No.: **29/212,306**

(22) Filed: **Aug. 30, 2004**

(51) **LOC (8) Cl.** **13-02**

(52) **U.S. Cl.** **D13/107**

(58) **Field of Classification Search** D13/107-110,
D13/118-119, 184; D14/251, 253; 320/107-115
See application file for complete search history.

(56) **References Cited**

U.S. PATENT DOCUMENTS

D331,220 S	*	11/1992	Tsuchiya	D13/107
D339,563 S	*	9/1993	Usami	D13/107
D411,823 S	*	7/1999	Jacobs et al.	D13/107
D421,443 S	*	3/2000	Nagele et al.	D14/253
D428,862 S	*	8/2000	Queffelec et al.	D13/184
D456,004 S	*	4/2002	Lie	D13/107
6,384,575 B1	*	5/2002	Chen et al.	320/110

D462,318 S	*	9/2002	Mujica	D13/107
D463,360 S	*	9/2002	Lie	D13/107
D465,452 S	*	11/2002	Lie	D13/107
D466,075 S	*	11/2002	Lie	D13/107
6,876,172 B1	*	4/2005	Lam et al.	320/110
2002/0063550 A1	*	5/2002	Chen et al.	320/110

* cited by examiner

Primary Examiner—Alan P. Douglas

Assistant Examiner—Rosemary Tarcza

(74) *Attorney, Agent, or Firm*—Merchant & Gould P.C.

(57) **CLAIM**

The ornamental design for battery charger, as shown and described.

DESCRIPTION

FIG. 1 is a front elevational view of a battery charger in accordance with my invention thereof;
FIG. 2 is a rear elevational view thereof;
FIG. 3 is a left side elevational view thereof;
FIG. 4 is a right side elevational view thereof;
FIG. 5 is a top elevational view thereof;
FIG. 6 is a bottom elevational view thereof; and,
FIG. 7 is a perspective view of a battery charger.

1 Claim, 7 Drawing Sheets

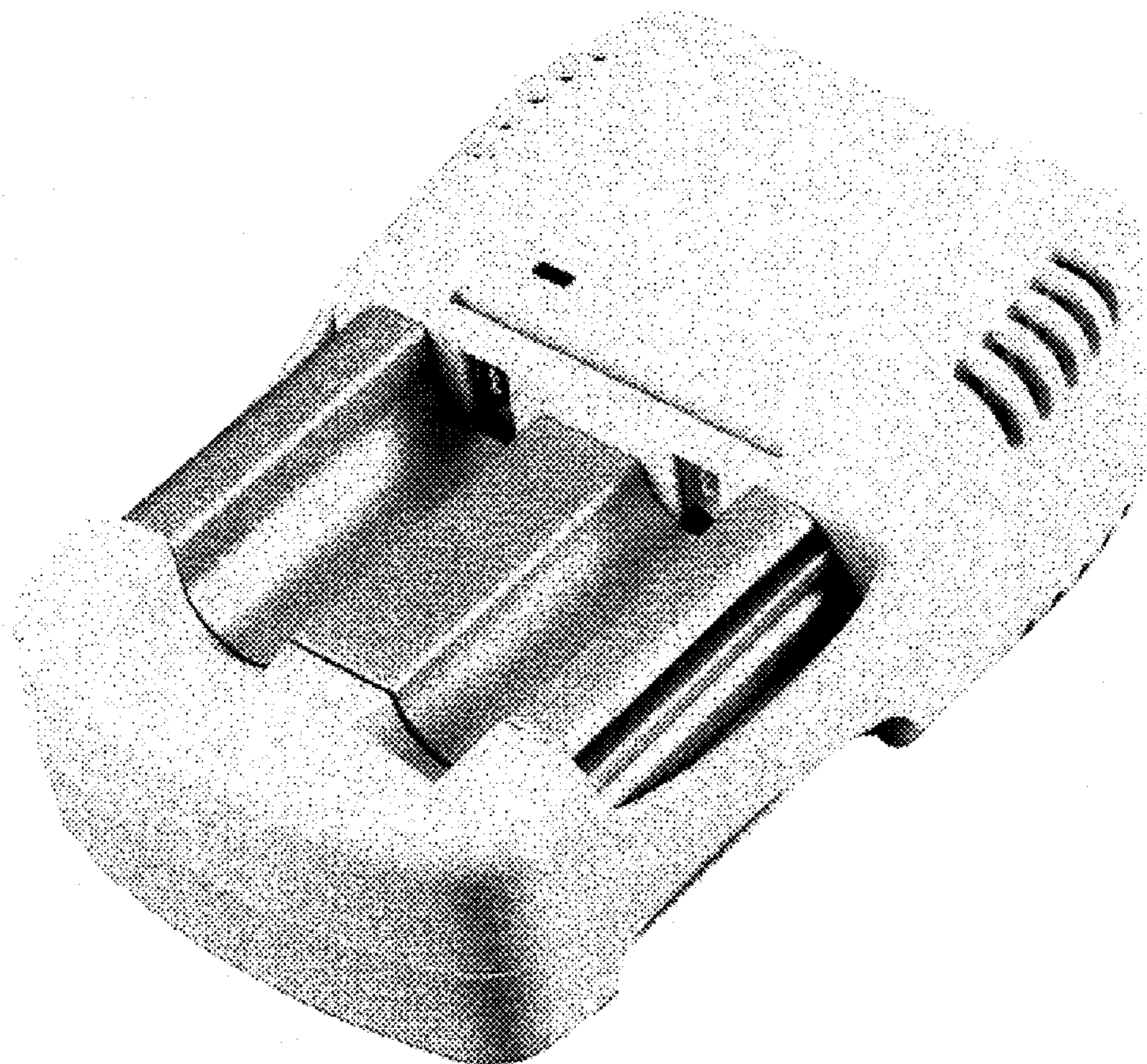


FIG. 1

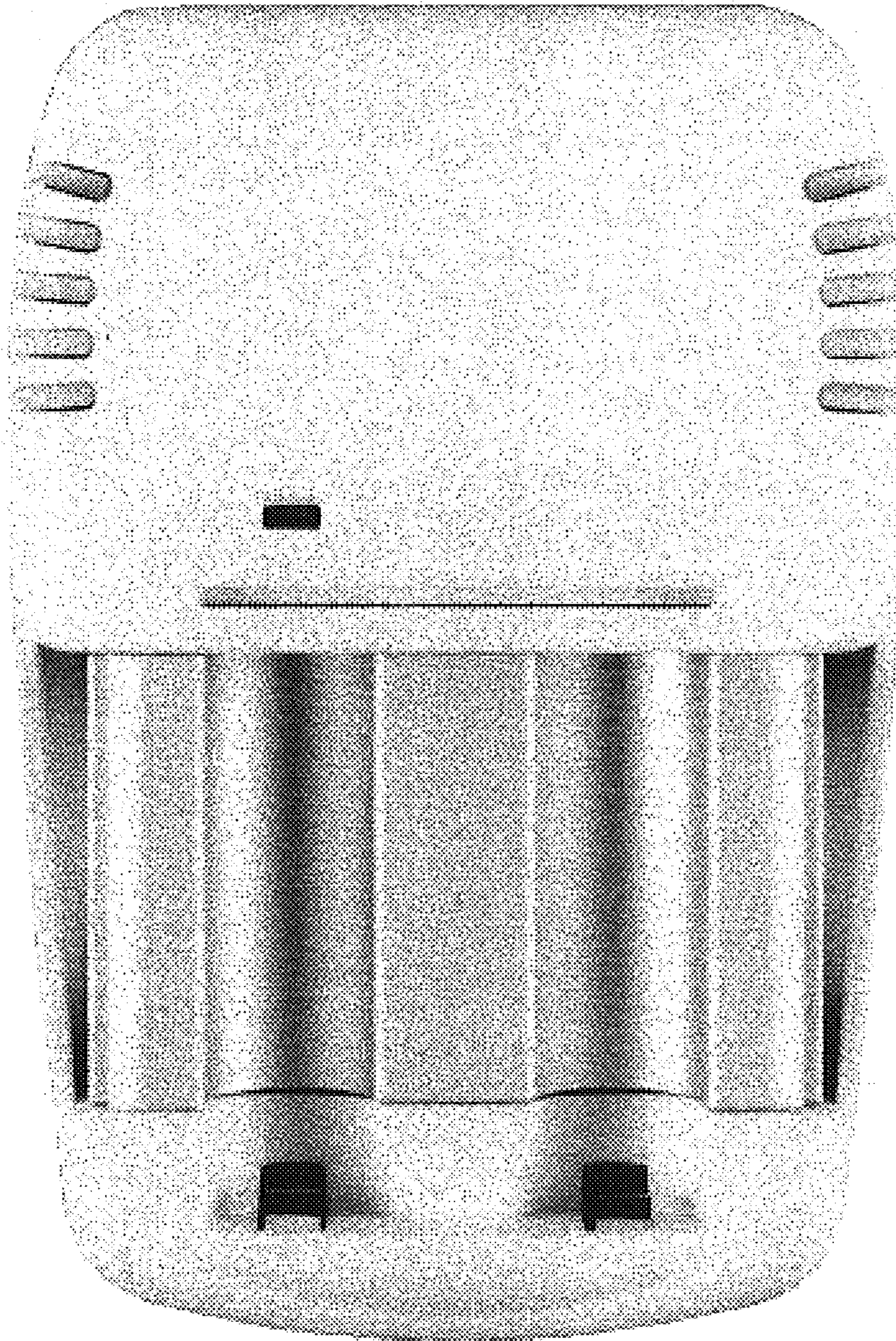


FIG. 2



FIG. 3

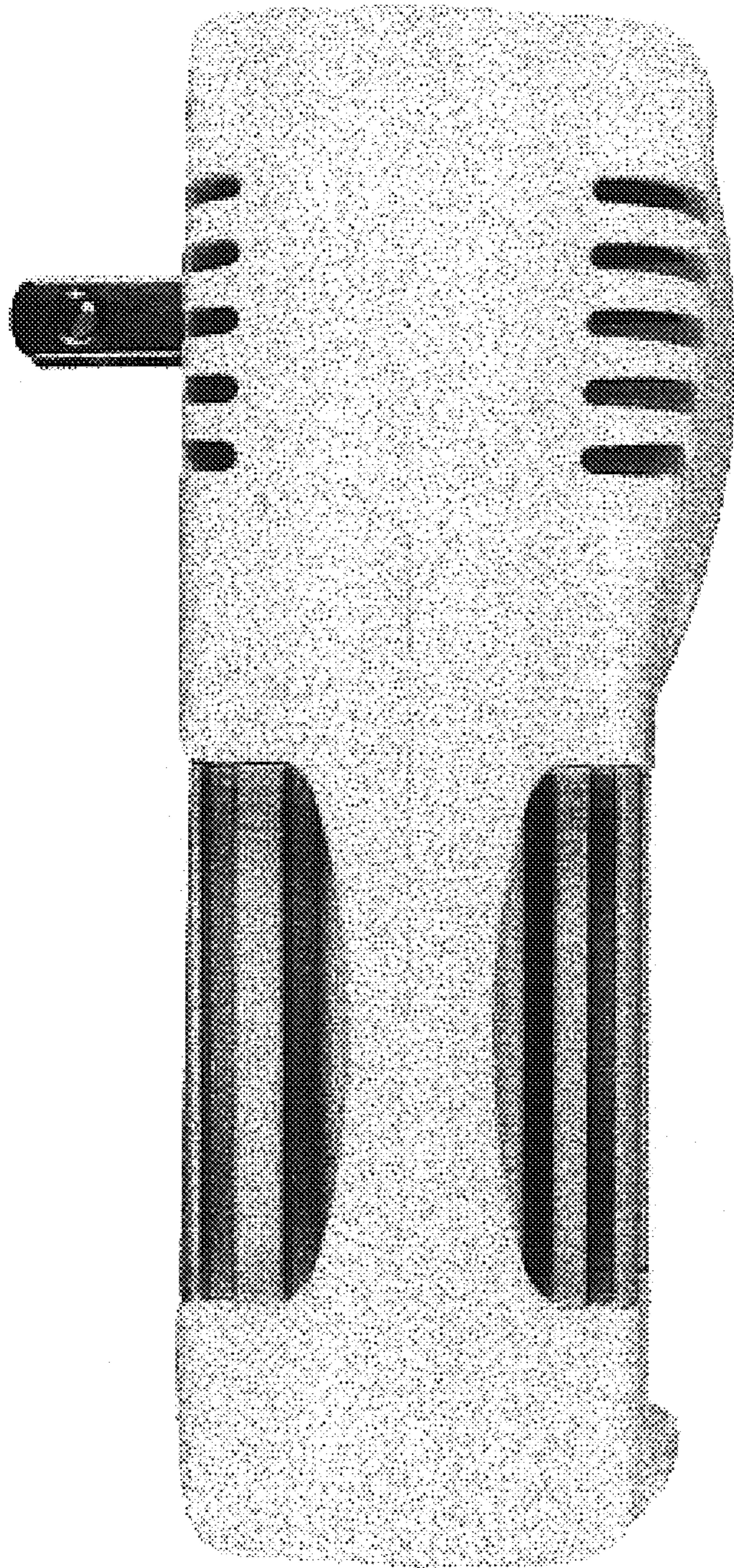


FIG. 4

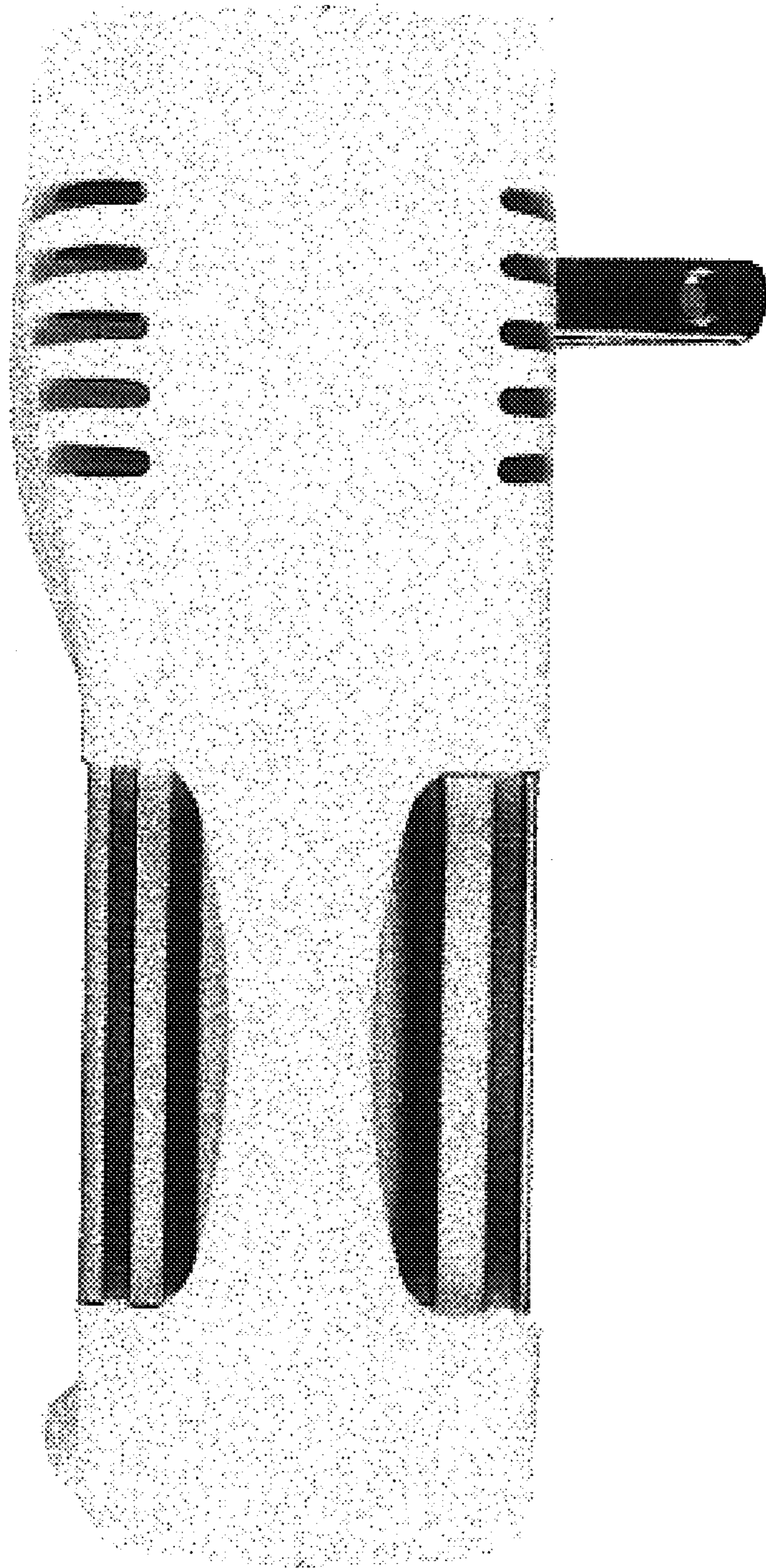


FIG. 5

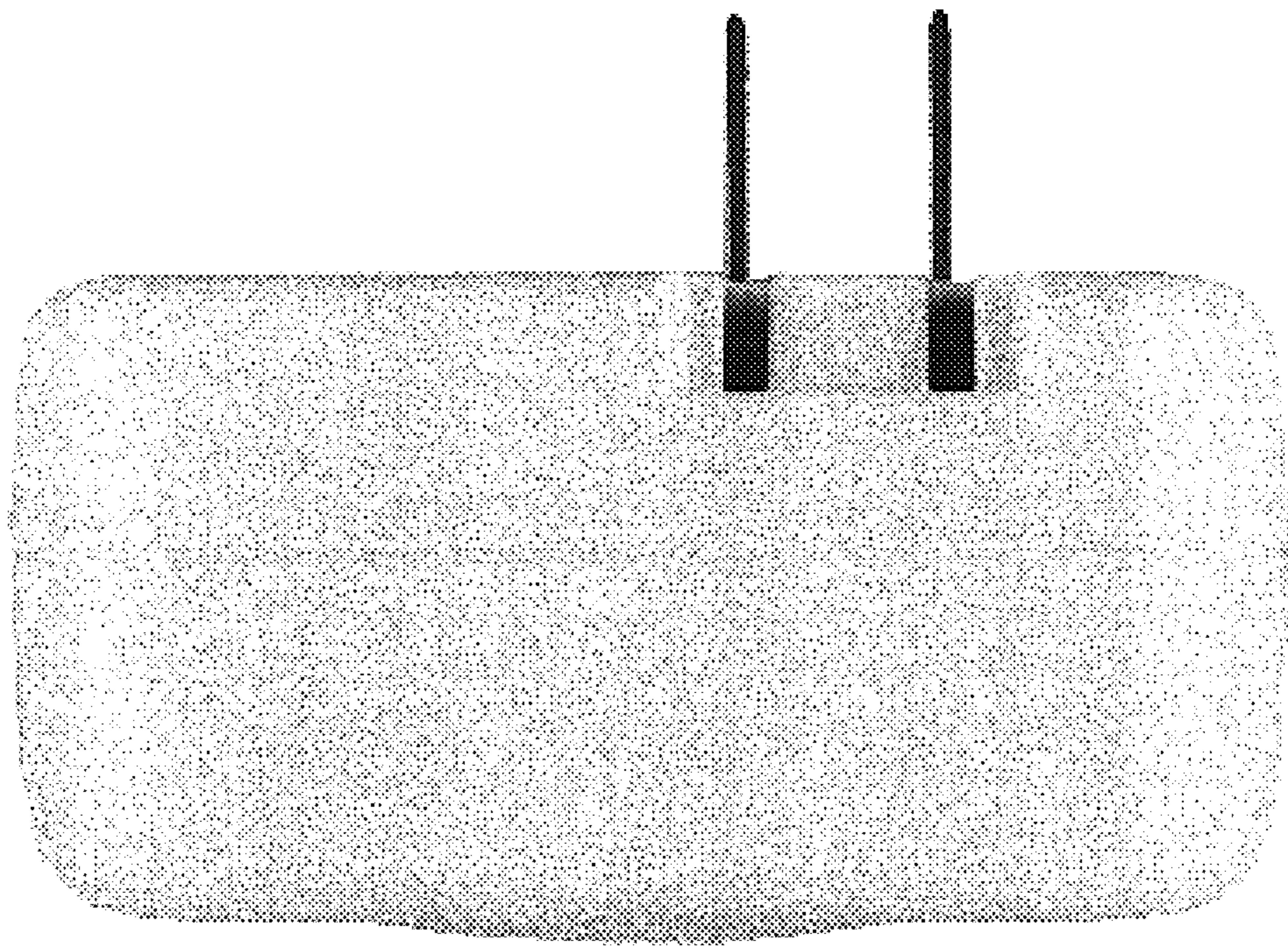


FIG. 6

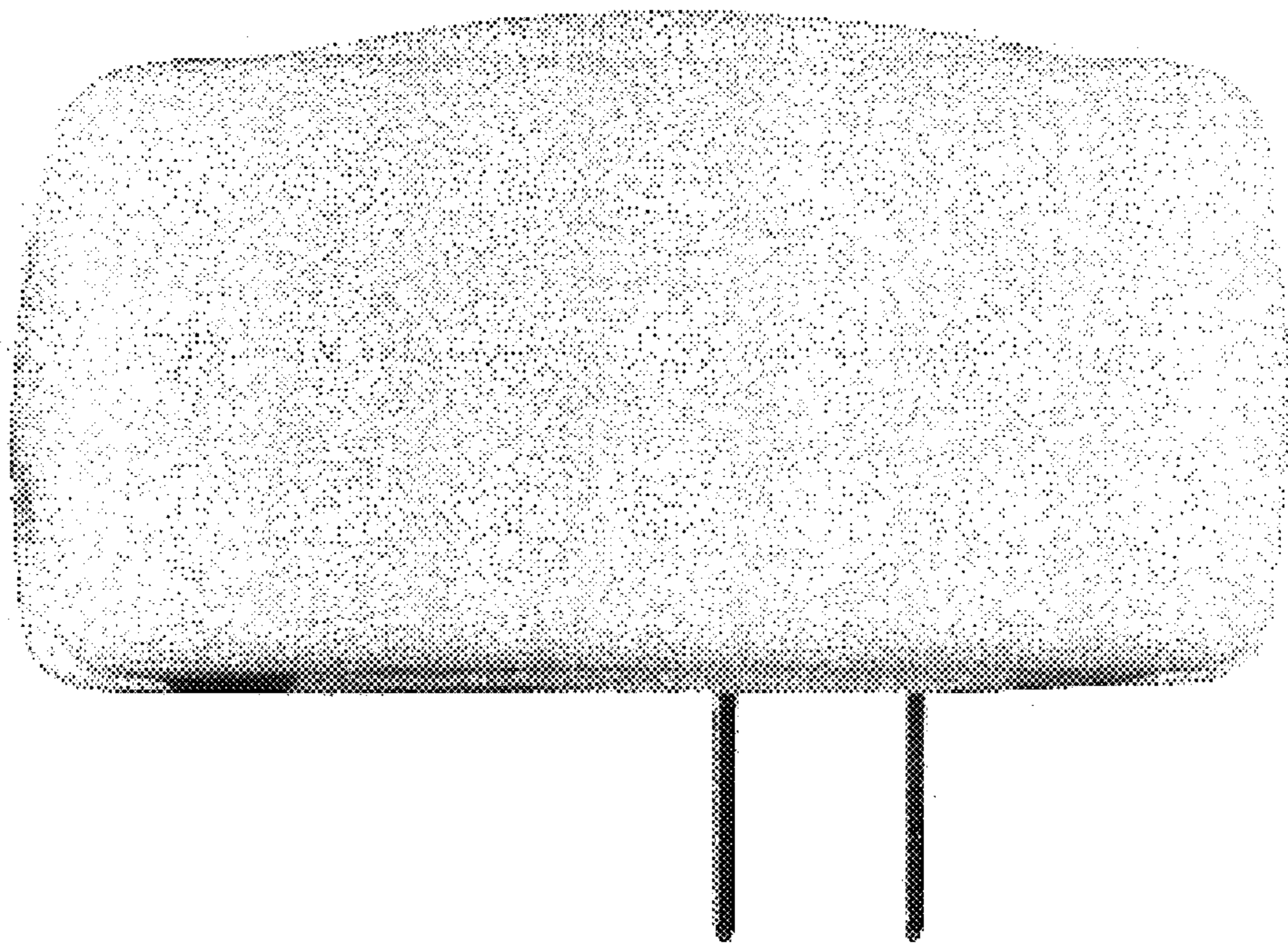


FIG. 7

