



US00D519441S

(12) **United States Design Patent**
Lee

(10) **Patent No.:** **US D519,441 S**
(45) **Date of Patent:** **** Apr. 25, 2006**

(54) **CUP HOLDER**

(75) Inventor: **Jong Hee Lee**, Goyang (KR)

(73) Assignee: **Korean Airlines Co., Ltd.**, Seoul (KR)

(**) Term: **14 Years**

(21) Appl. No.: **29/213,704**

(22) Filed: **Sep. 21, 2004**

(30) **Foreign Application Priority Data**

Aug. 27, 2004 (KR) 30-2004-0026316

(51) **LOC (8) Cl.** **12-16**

(52) **U.S. Cl.** **D12/419**

(58) **Field of Classification Search** D7/701-708,
D7/624, 625; D6/501; D12/419, 420; 224/274,
224/275, 400, 414, 539, 542, 544, 552, 554,
224/556, 926; 248/309.1, 311.2
See application file for complete search history.

(56) **References Cited**

U.S. PATENT DOCUMENTS

3,606,112 A * 9/1971 Cheshier 224/554
D294,136 S * 2/1988 Eide D12/419
4,848,627 A * 7/1989 Maeda et al. 224/275

D328,521 S * 8/1992 Sletvold D12/419
5,180,088 A * 1/1993 de Angeli 224/544
5,634,621 A * 6/1997 Jankovic 248/311.2
D478,860 S * 8/2003 Young D12/419
6,708,938 B1 * 3/2004 Bong 248/311.2

* cited by examiner

Primary Examiner—Terry A. Wallace

(74) *Attorney, Agent, or Firm*—O'Melvny & Myers LLP

(57) **CLAIM**

The ornamental design for a cup holder, as shown and described.

DESCRIPTION

FIG. 1 is a perspective view of the cup holder.
FIG. 2 is a plan view of the cup holder, looking from its top.
FIG. 3 is a side view of the cup holder.
FIG. 4 is a back view of the cup holder.
FIG. 5 is a plan view of the cup holder, looking from its bottom.
FIG. 6 is a cross-section view of the cup holder, showing its external contours along line 6—6 of FIG. 2; and,
FIG. 7 is a perspective view of the cup holder while inserted in a passenger seat. The passenger seat forms no part of the design.

1 Claim, 2 Drawing Sheets

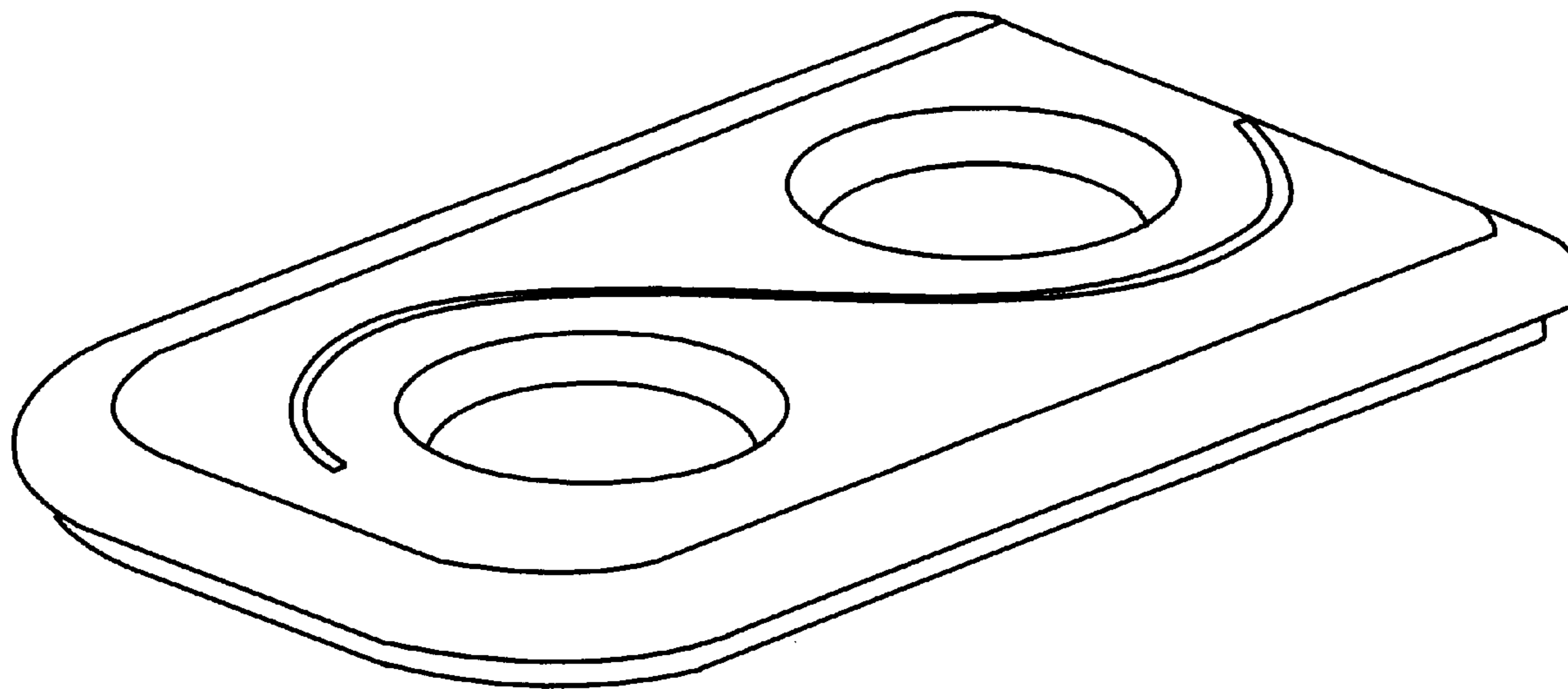


Fig. 1

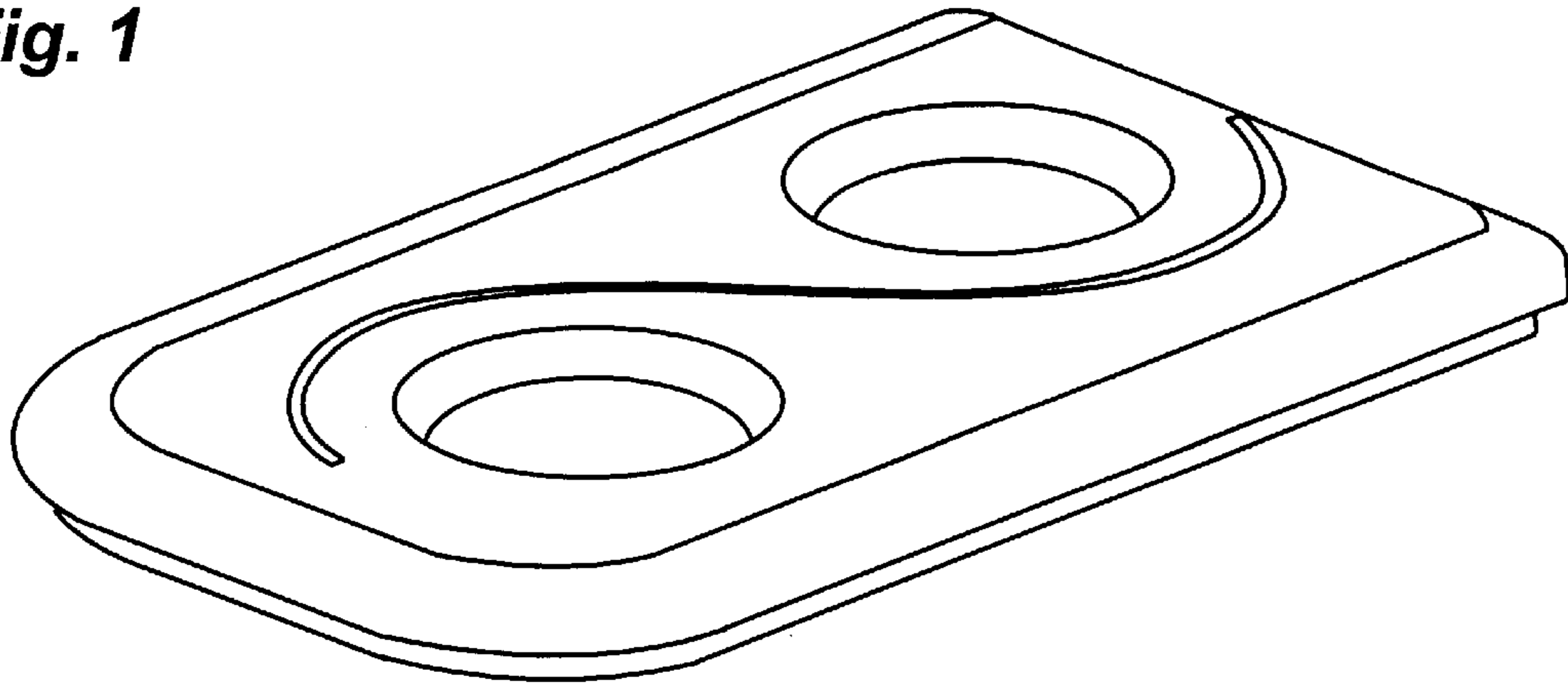


Fig. 2

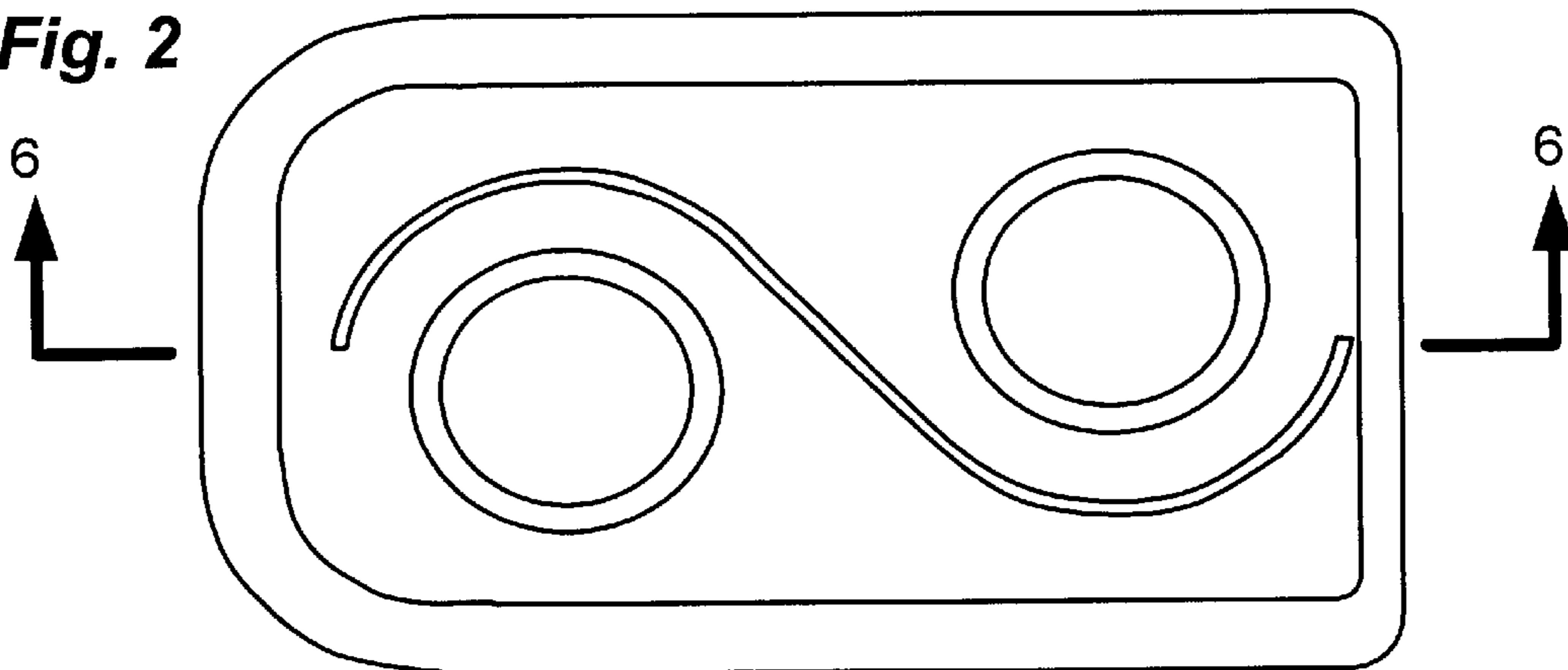


Fig. 3

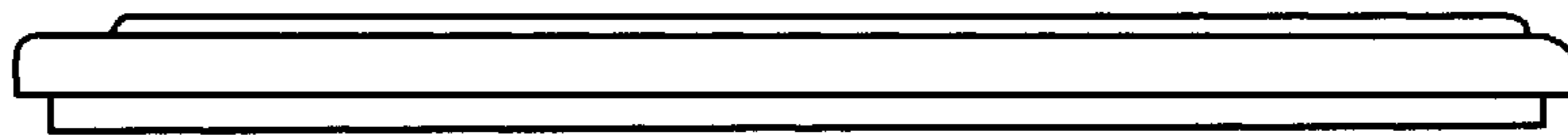


Fig. 4

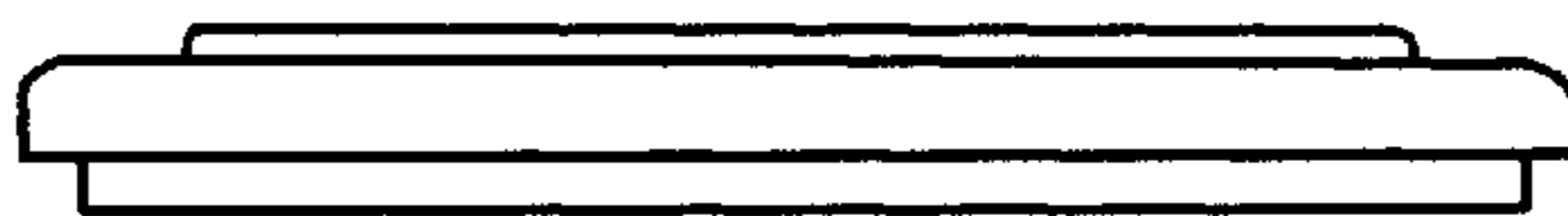


Fig. 5

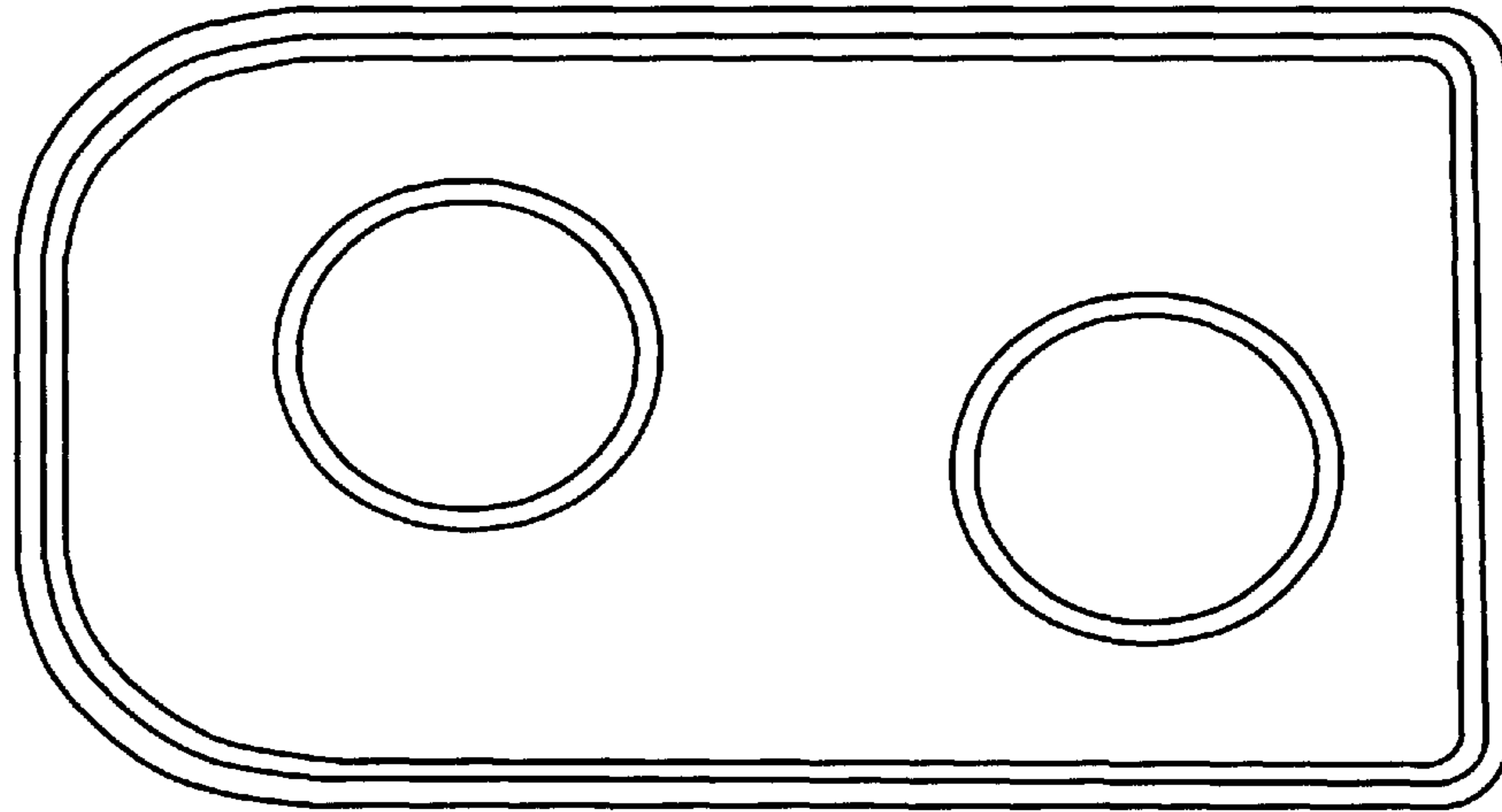


Fig. 6



Fig. 7

