



US00D519440S

(12) **United States Design Patent**  
**Rakow**

(10) **Patent No.:** **US D519,440 S**

(45) **Date of Patent:** **\*\* Apr. 25, 2006**

(54) **TRUCK AND TRAILER RAIL**

(75) Inventor: **Robert F. Rakow**, Mequon, WI (US)

(73) Assignee: **Victory Twin Rails LLC**, Germantown, WI (US)

(\*\*) Term: **14 Years**

(21) Appl. No.: **29/225,549**

(22) Filed: **Mar. 17, 2005**

(51) **LOC (8) Cl.** ..... **12-16**

(52) **U.S. Cl.** ..... **D12/414**

(58) **Field of Classification Search** ..... D12/406,  
D12/412, 414; D25/38, 43, 119-125; 224/309-310;  
410/101-106, 97, 150, 115, 108-110; 296/32,  
296/36, 3, 40; 248/499, 503

See application file for complete search history.

(56) **References Cited**

U.S. PATENT DOCUMENTS

- D260,631 S \* 9/1981 Kowalski ..... D12/414
- D272,817 S \* 2/1984 Mareydt ..... D12/414
- D295,619 S \* 5/1988 Reeve ..... D12/414

- D382,533 S \* 8/1997 Okland ..... D12/414
- D400,846 S \* 11/1998 Laivins et al. .... D12/414
- D491,878 S \* 6/2004 Wheatley ..... D12/414
- D500,471 S \* 1/2005 Wheatley ..... D12/414

\* cited by examiner

*Primary Examiner*—Stacia Cadmus

(74) *Attorney, Agent, or Firm*—Andrus, Scales, Starke & Sawall, LLP

(57) **CLAIM**

The ornamental design for a truck and trailer rail, as shown and described.

**DESCRIPTION**

FIG. 1 is an perspective view of a truck and trailer rail showing my new design;  
 FIG. 2 is an end view thereof;  
 FIG. 3 is a left side elevational view thereof;  
 FIG. 4 is a top plan view thereof;  
 FIG. 5 is a right side elevational view thereof; and,  
 FIG. 6 is a bottom view thereof.

The truck and trailer rail is shown on an enlarged scale in FIGS. 2-6.

**1 Claim, 3 Drawing Sheets**

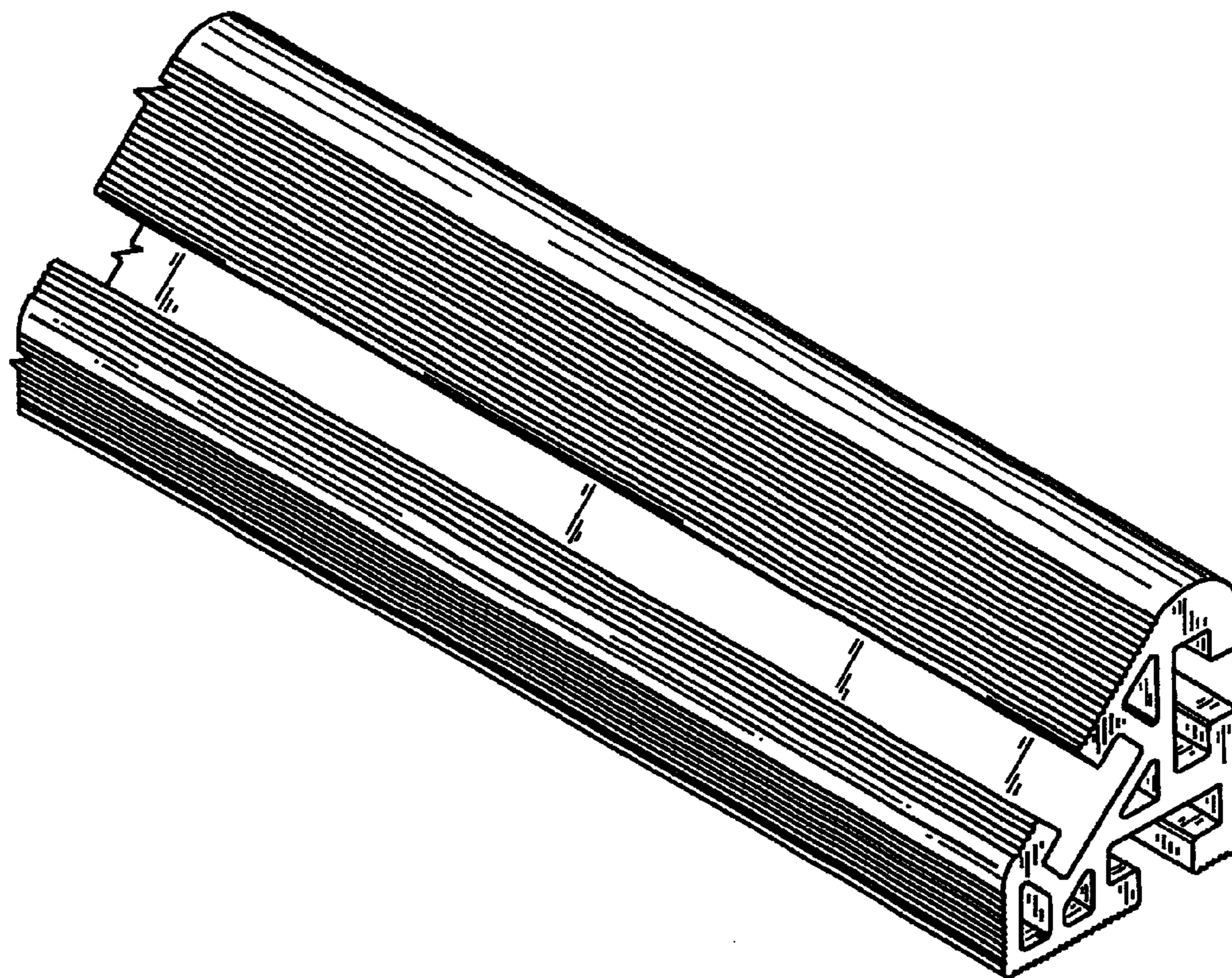
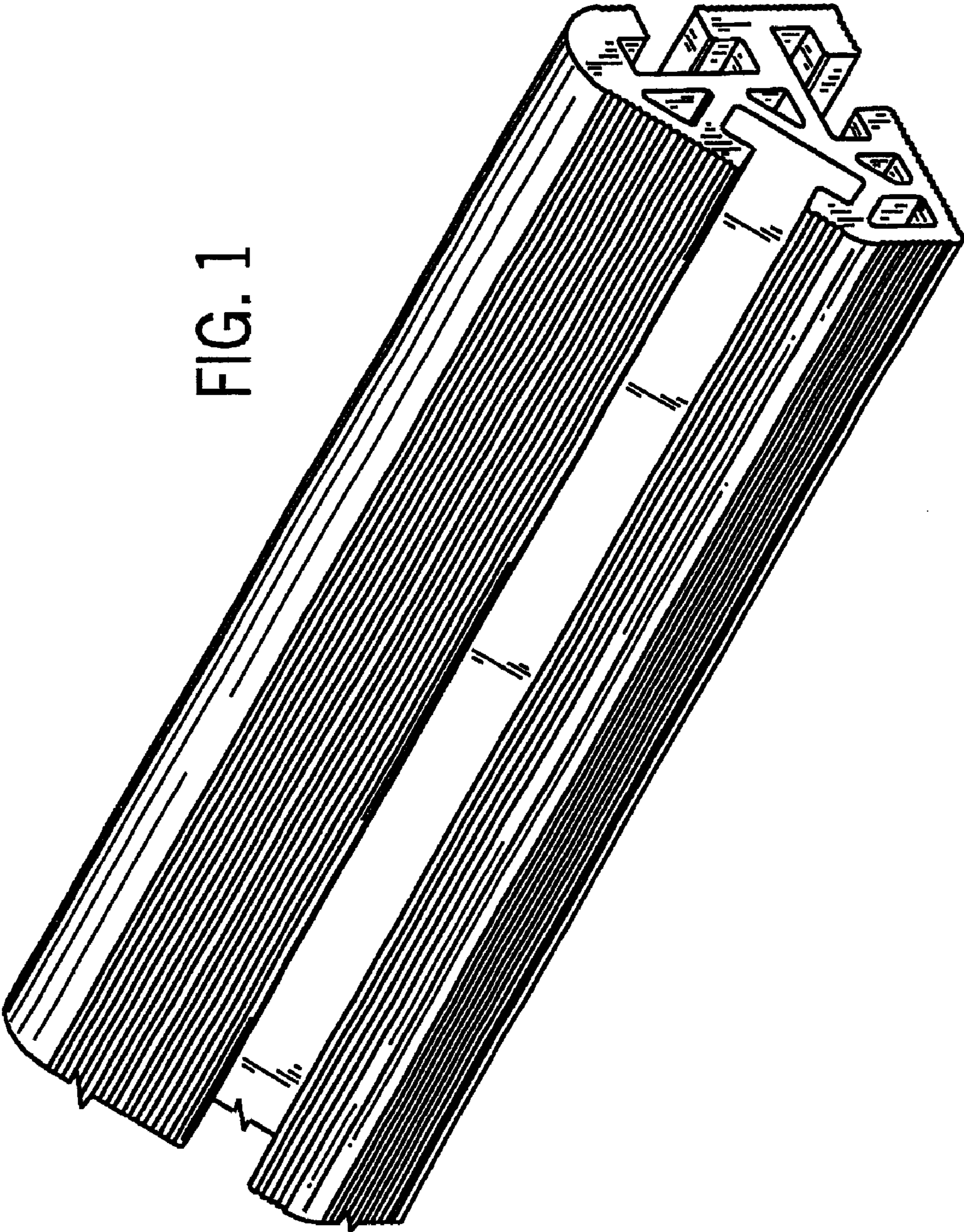


FIG. 1



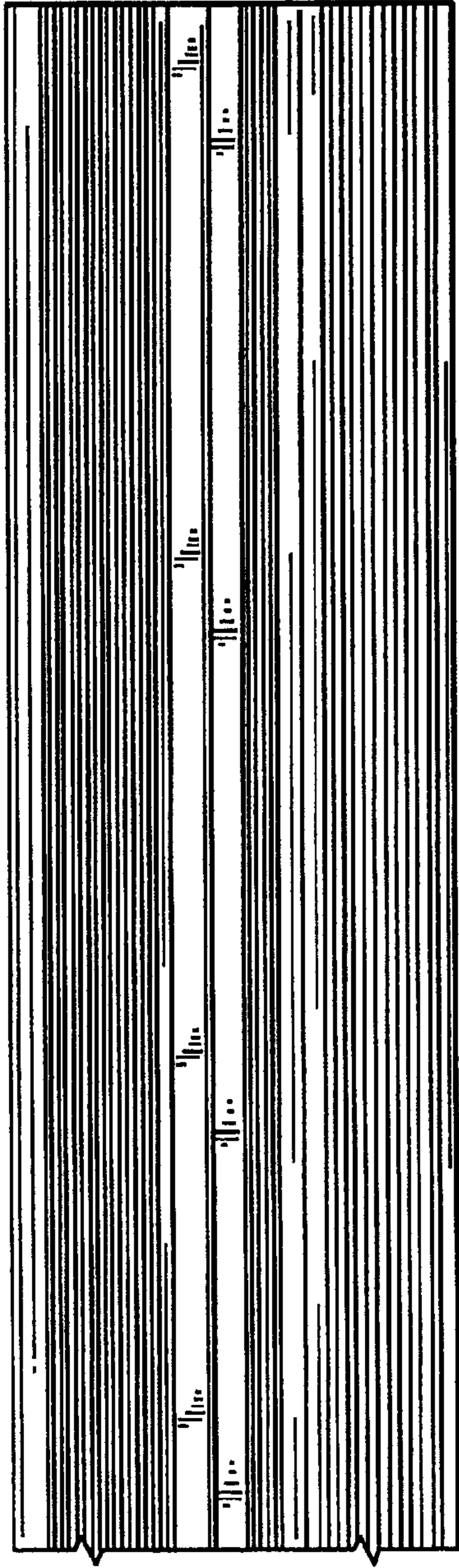


FIG. 3

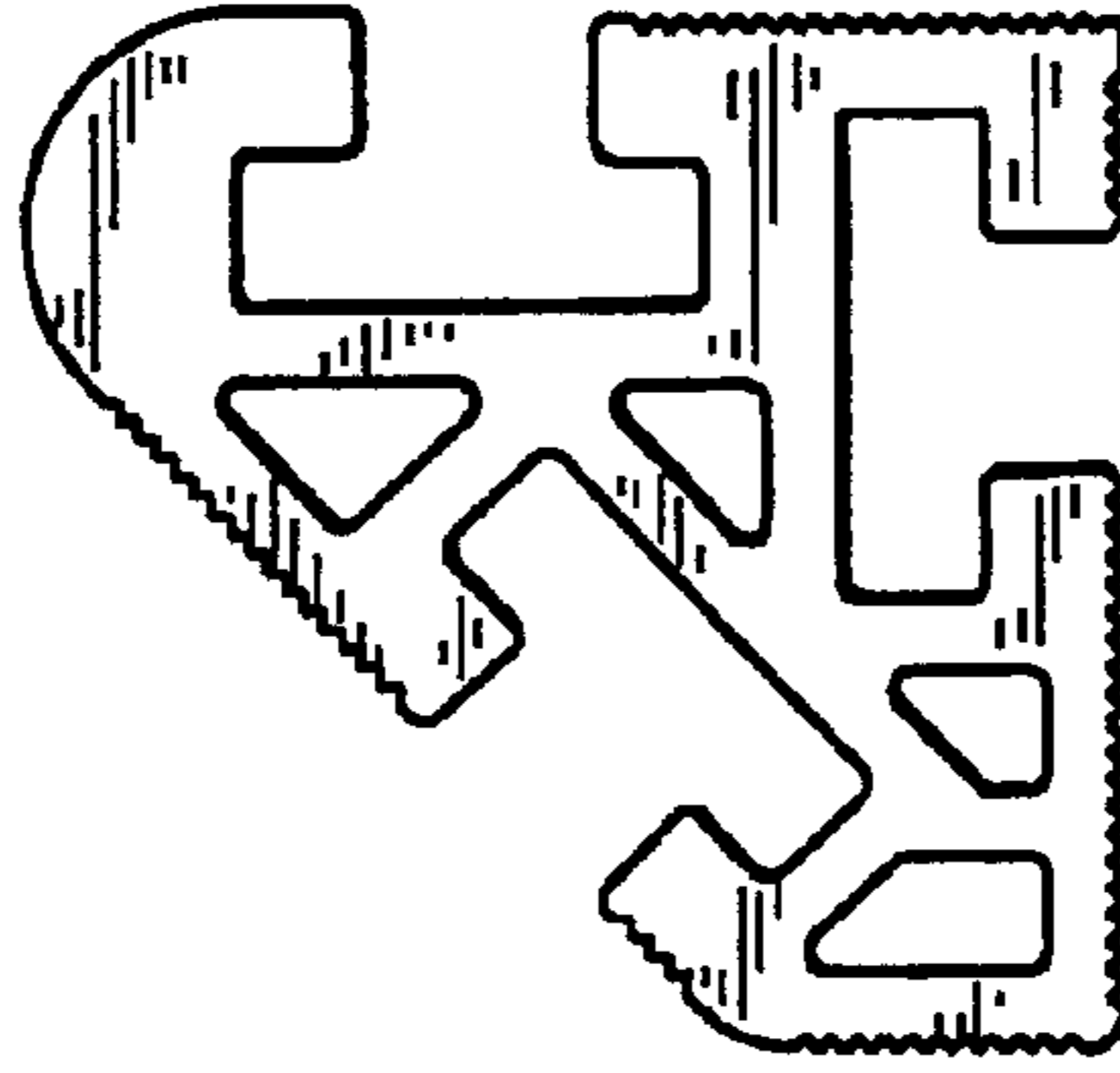


FIG. 2

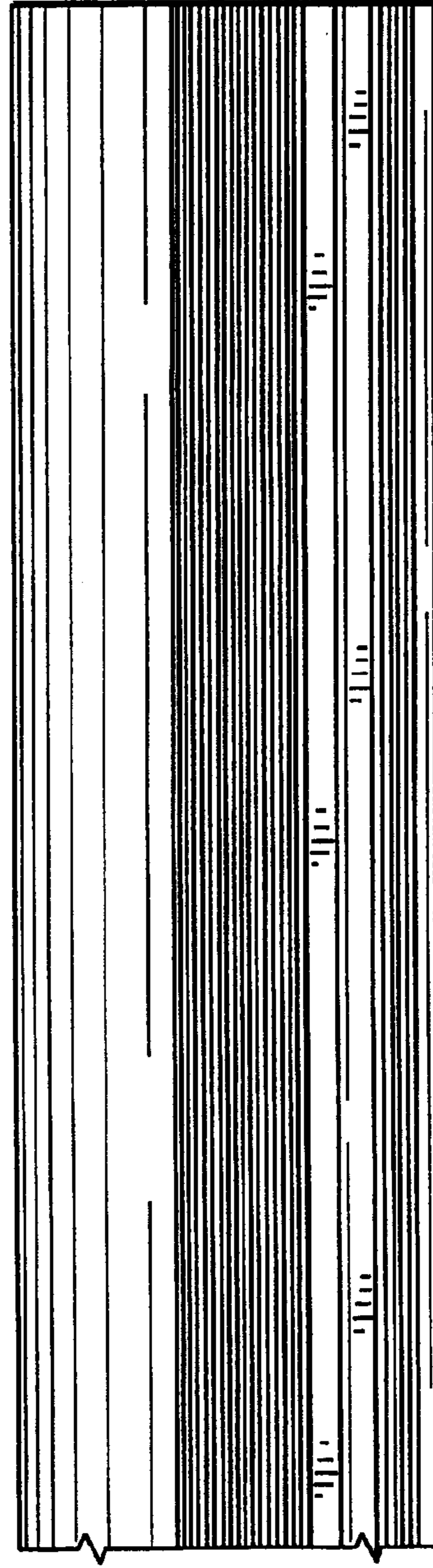


FIG. 4

FIG. 5

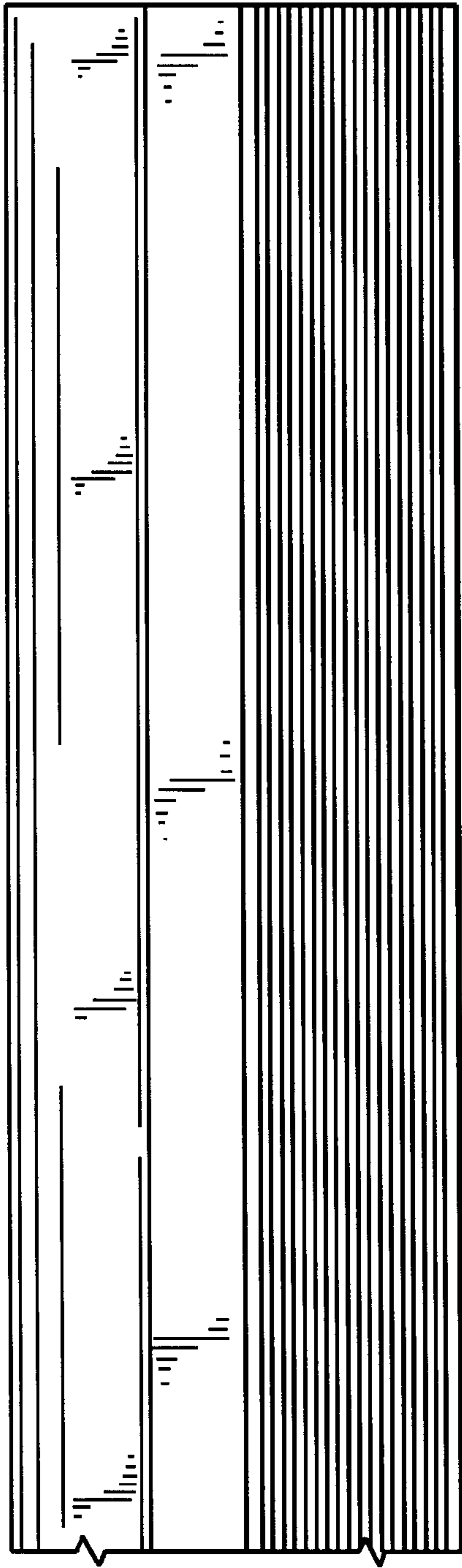


FIG. 6

