



US00D519435S

(12) **United States Design Patent** (10) **Patent No.:** **US D519,435 S**
Nodera (45) **Date of Patent:** **** Apr. 25, 2006**

(54) **AUTOMOBILE WHEEL** D509,782 S * 9/2005 Pollmann D12/209

(75) **Inventor:** **Akizumi Nodera**, Suita (JP)

(73) **Assignee:** **Rays Co., Ltd.**, Osaka (JP)

(**) **Term:** **14 Years**

(21) **Appl. No.:** **29/212,290**

(22) **Filed:** **Aug. 31, 2004**

(51) **LOC (8) Cl.** **12-16**

(52) **U.S. Cl.** **D12/211**

(58) **Field of Classification Search** D12/204–213;
301/37.101, 64.101, 65

See application file for complete search history.

(56) **References Cited**

U.S. PATENT DOCUMENTS

D402,251 S	*	12/1998	Timm	D12/211
D407,364 S	*	3/1999	Fisker	D12/209
D428,846 S	*	8/2000	Yoshida et al.	D12/211
D432,974 S	*	10/2000	Jablonski	D12/211
D450,647 S	*	11/2001	Pfeiffer	D12/211
D454,527 S	*	3/2002	Bhambra	D12/209
D460,037 S	*	7/2002	Takechi	D12/211
D476,283 S	*	6/2003	Baumgartner	D12/211
D484,839 S	*	1/2004	Scheu	D12/209
D487,418 S	*	3/2004	Hieke	D12/211
D504,648 S	*	5/2005	Pfeiffer	D12/209

FOREIGN PATENT DOCUMENTS

JP	D1046056 S	8/1999
JP	D1072931 S	6/2000
JP	D1096605 S	1/2001
JP	D1096679 S	1/2001

* cited by examiner

Primary Examiner—Stacia Cadmus

(74) *Attorney, Agent, or Firm*—Smith Patent Office

(57) **CLAIM**

The ornamental design for an automobile wheel, as shown and described.

DESCRIPTION

FIG. 1 is a front perspective view of an automobile wheel according to my new design;

FIG. 2 is a rear perspective view thereof;

FIG. 3 is a top plan view thereof;

FIG. 4 is a left-hand side view thereof;

FIG. 5 is a front elevational view thereof;

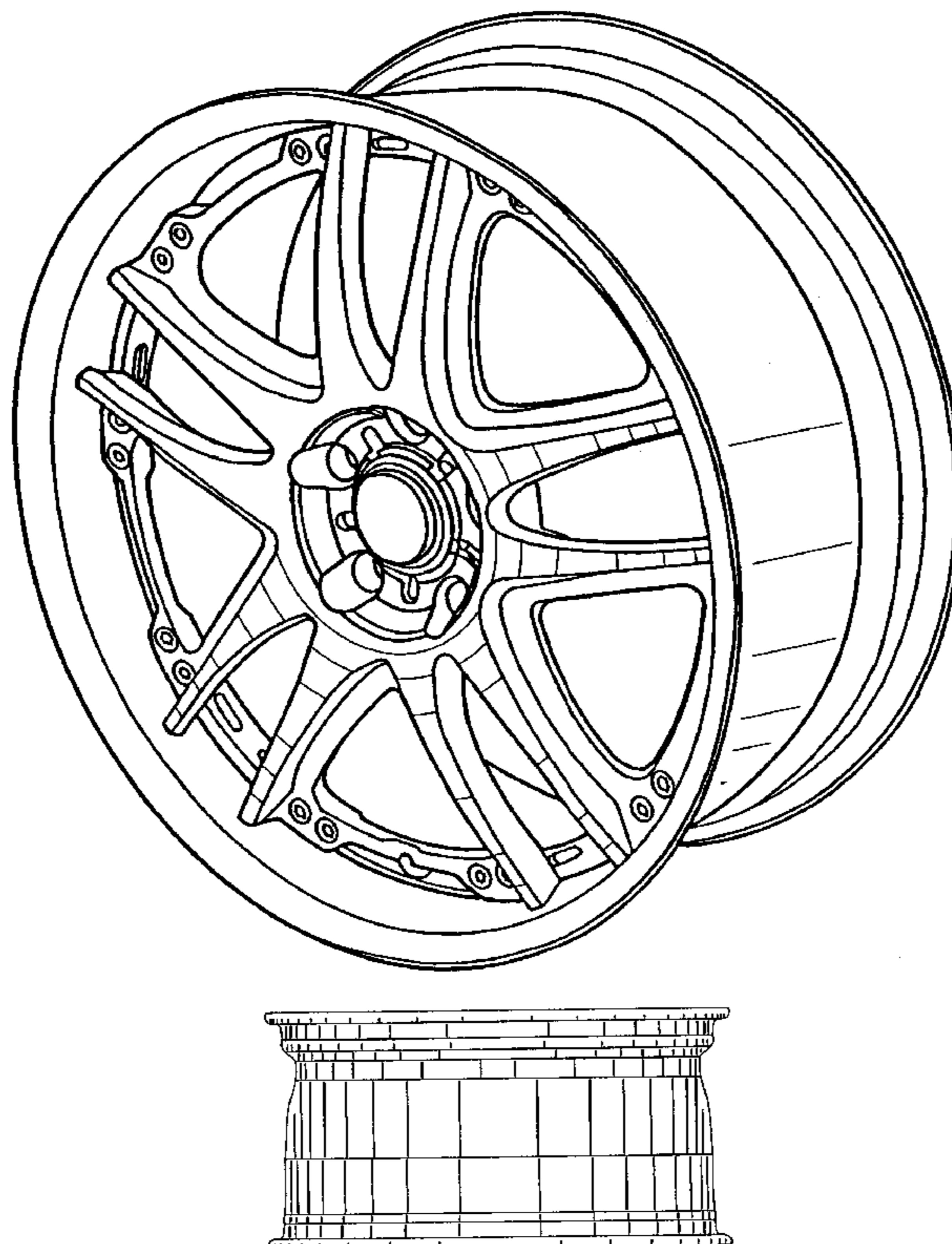
FIG. 6 is a right-hand side view thereof;

FIG. 7 is a bottom plan view thereof; and,

FIG. 8 is a rear elevational view thereof.

The wheel is shown on a reduced scale in FIGS. 3–8 as compared with FIGS. 1 and 2.

1 Claim, 3 Drawing Sheets



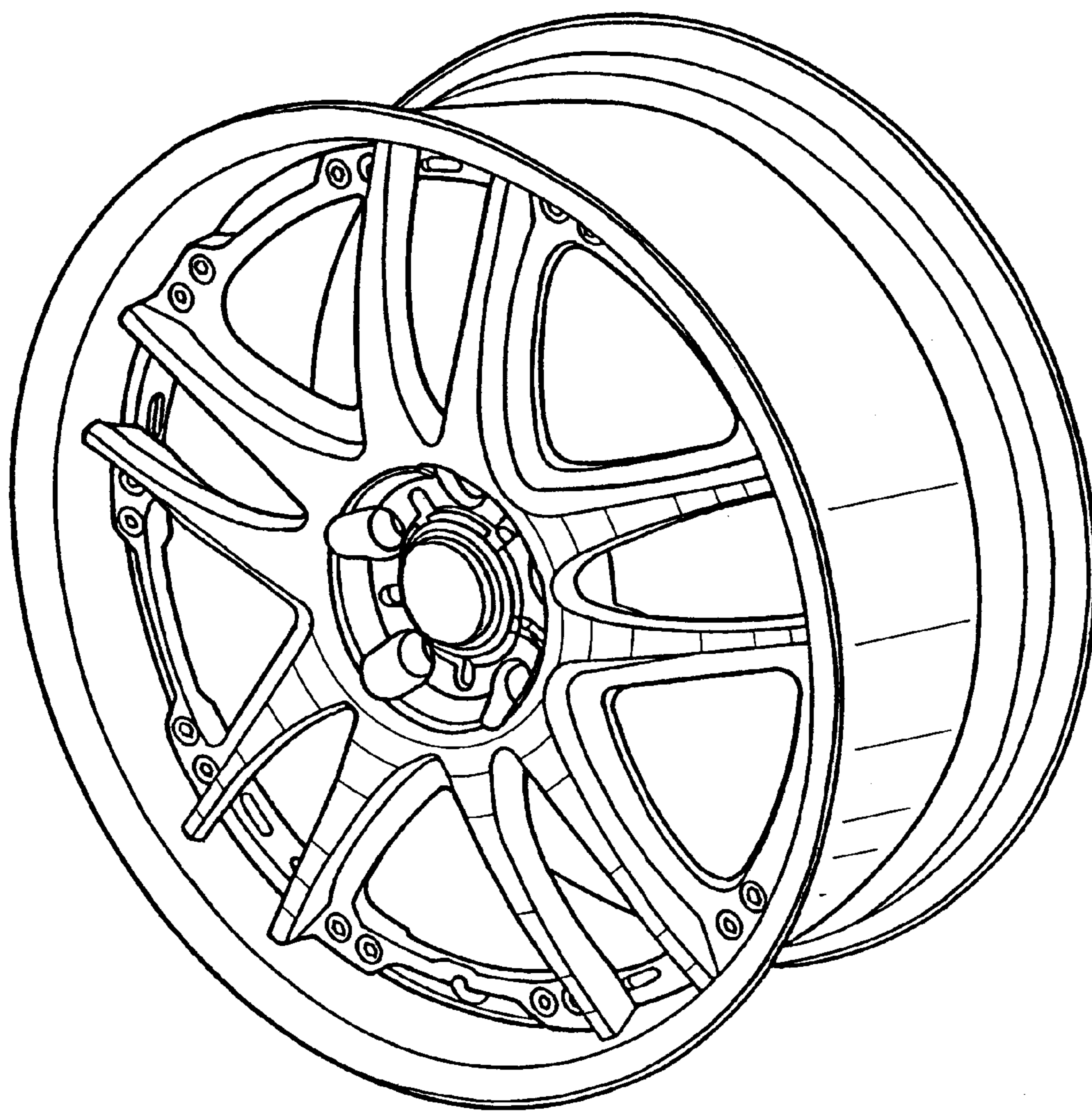


FIG. 1

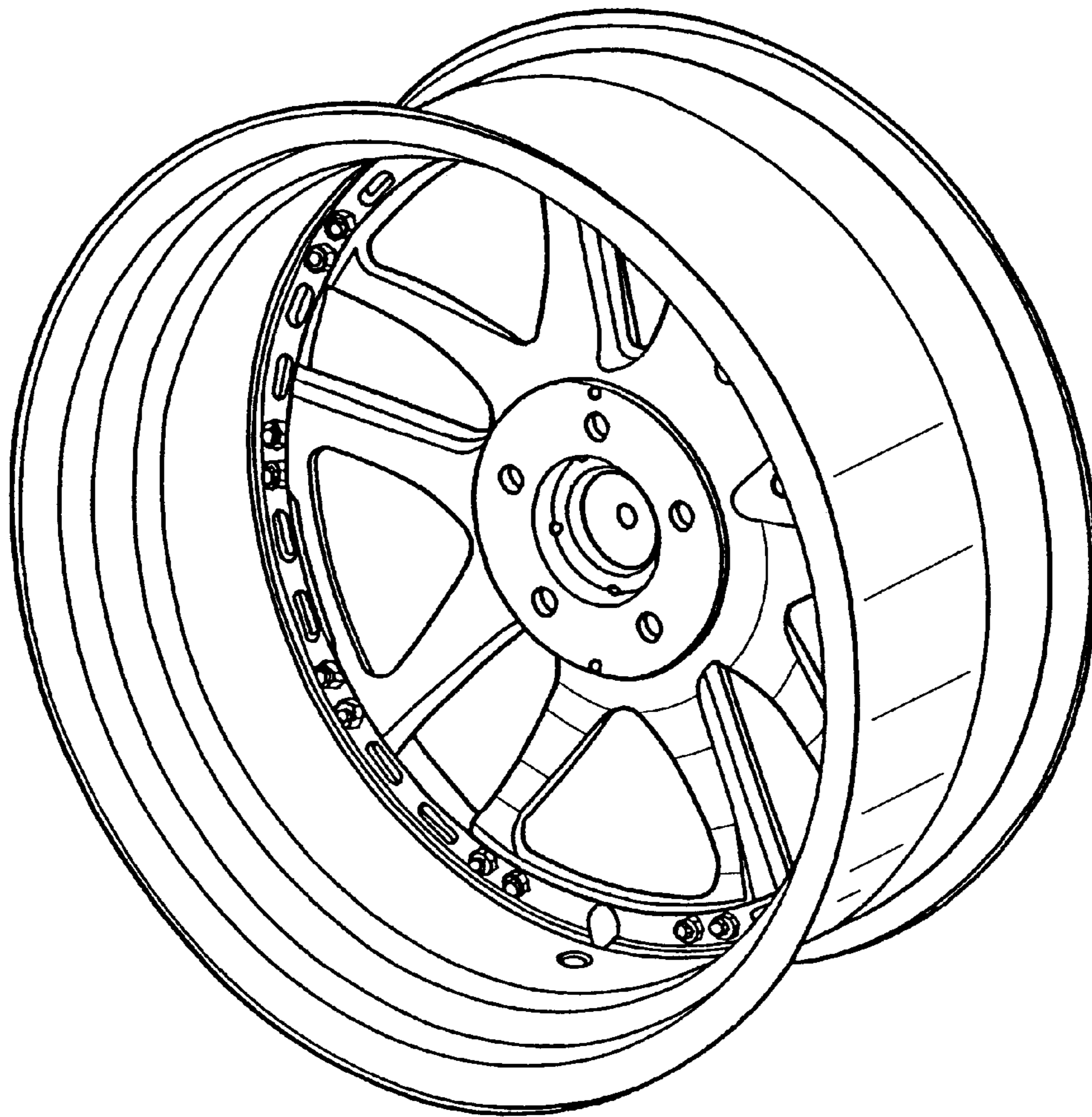


FIG. 2

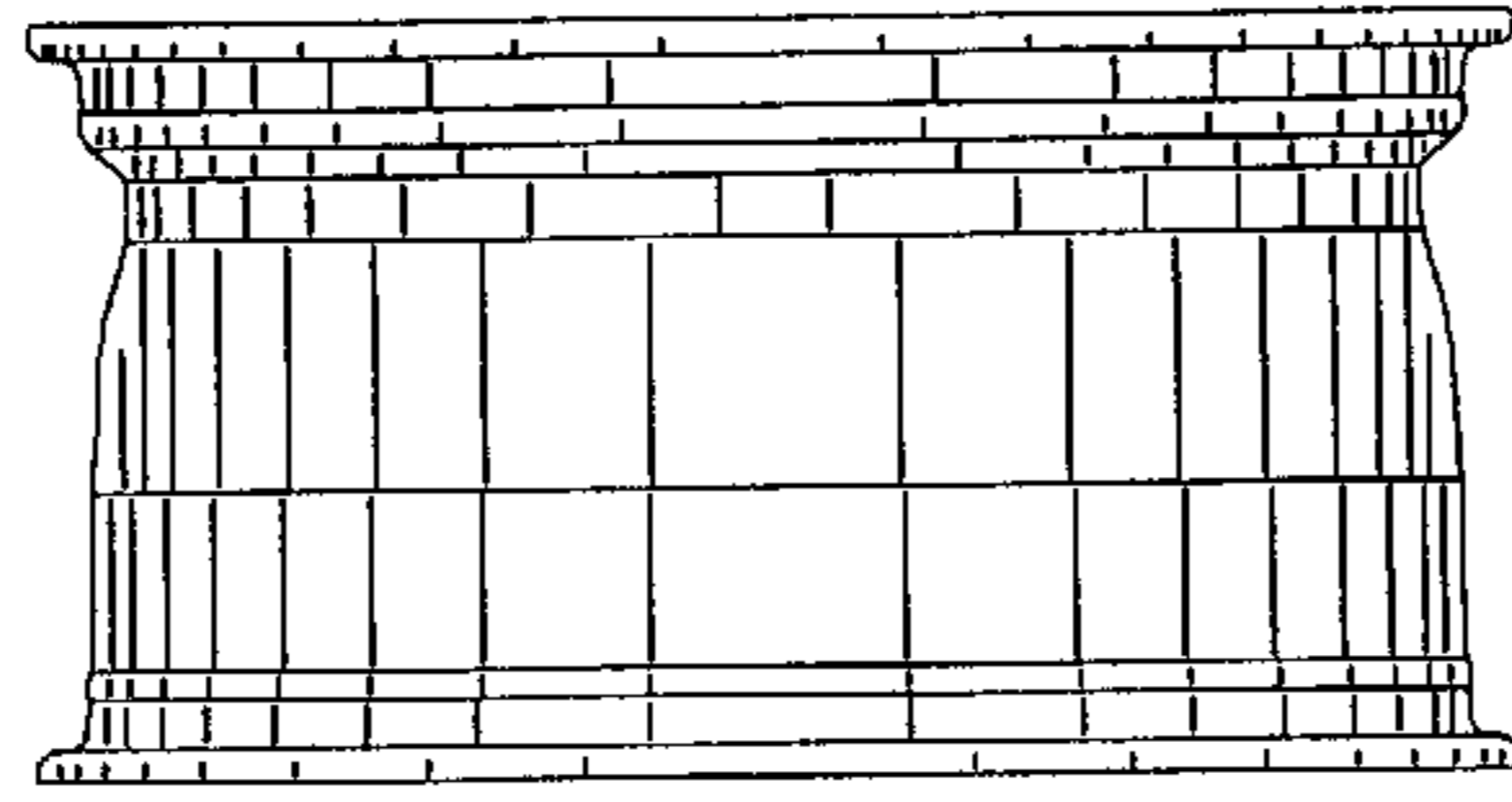


FIG. 3

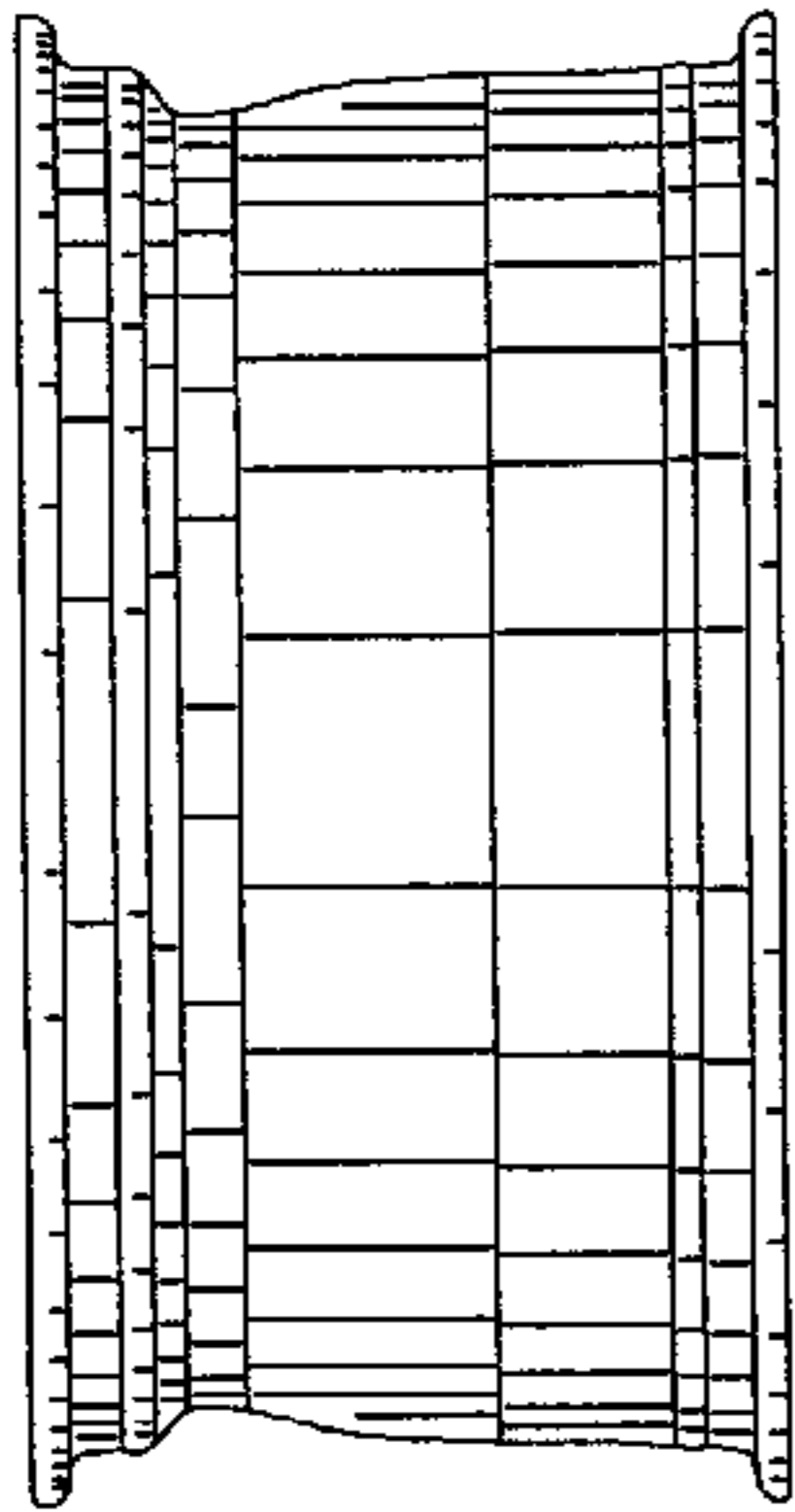


FIG. 4

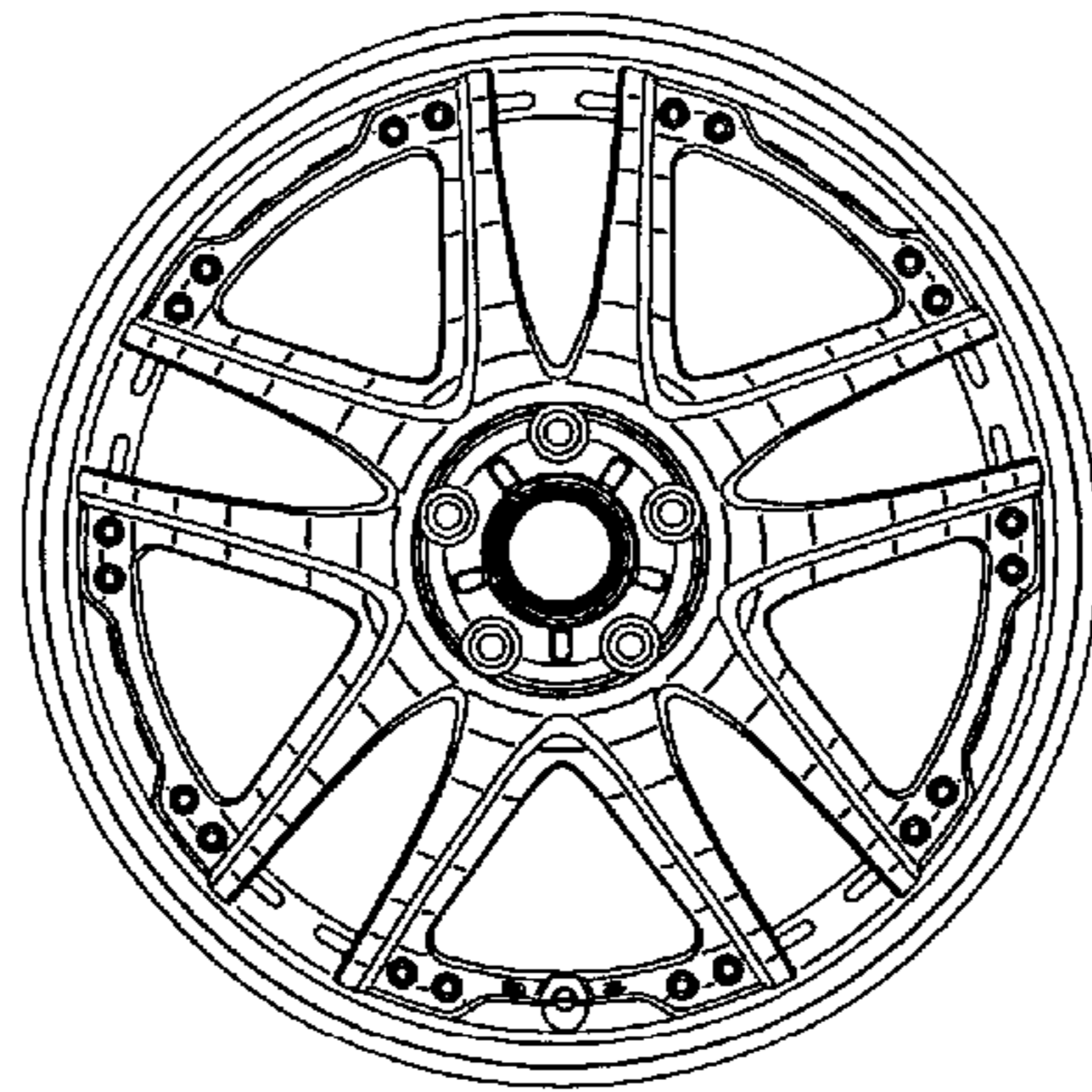


FIG. 5

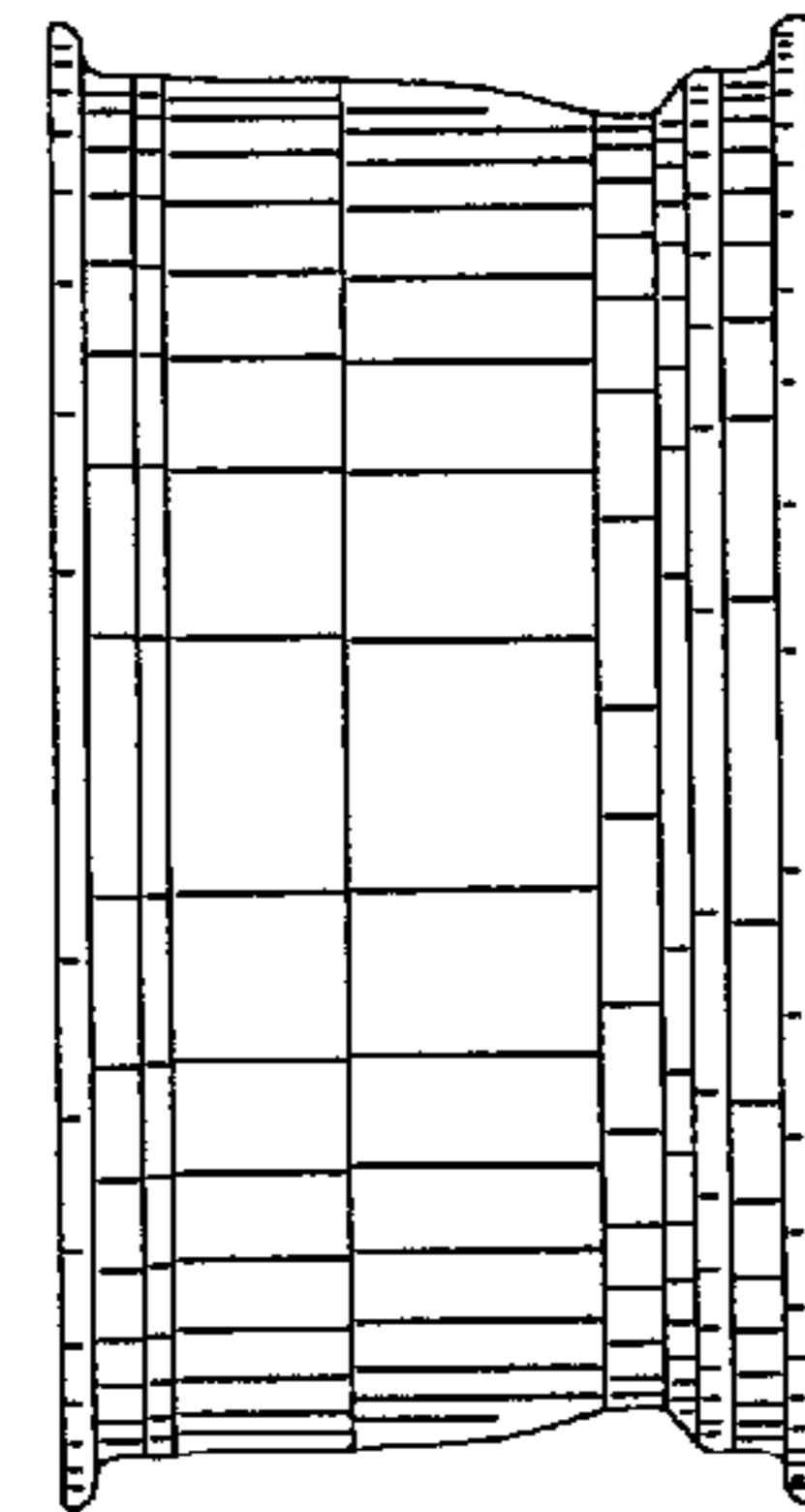


FIG. 6

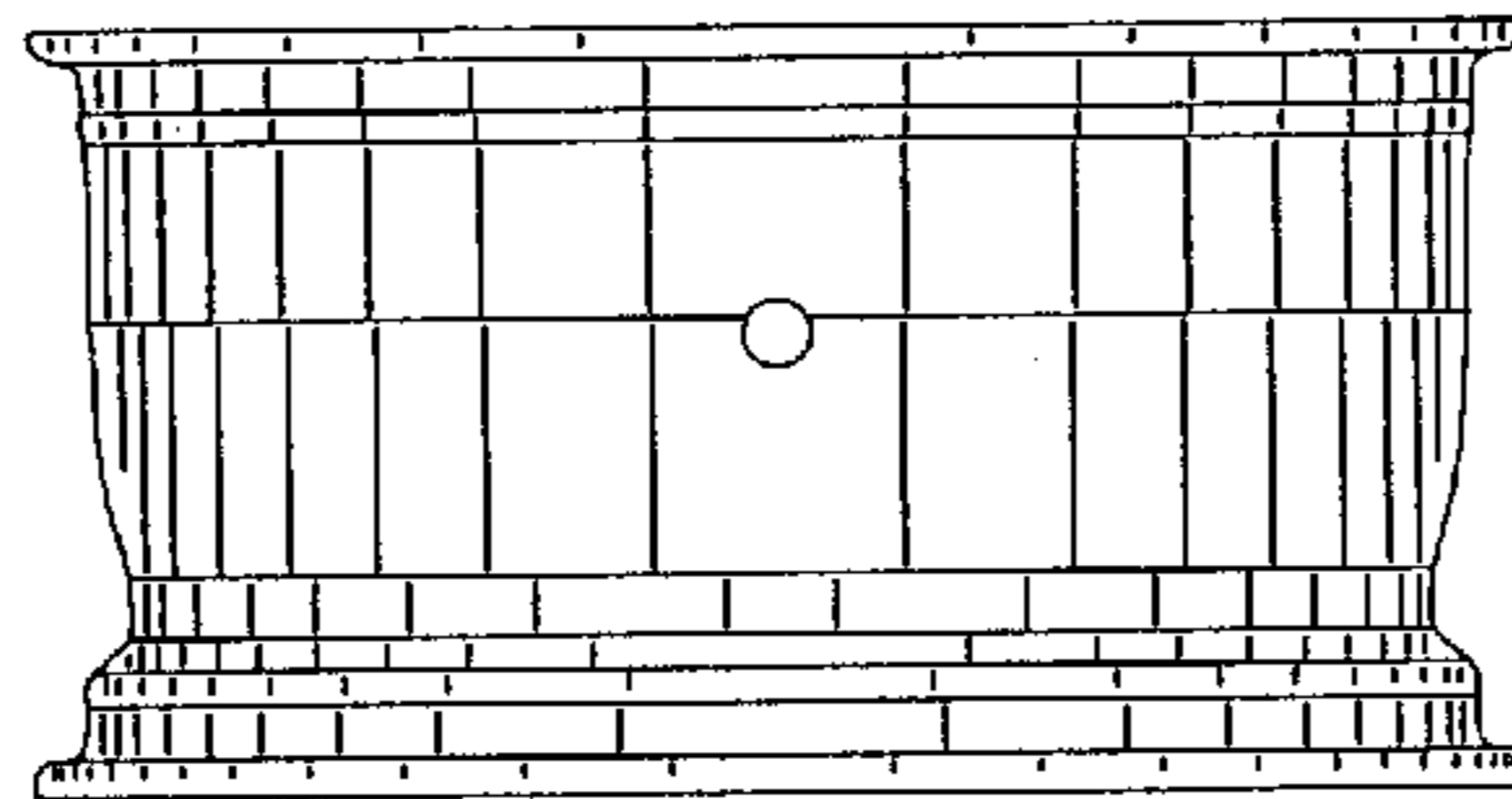


FIG. 7

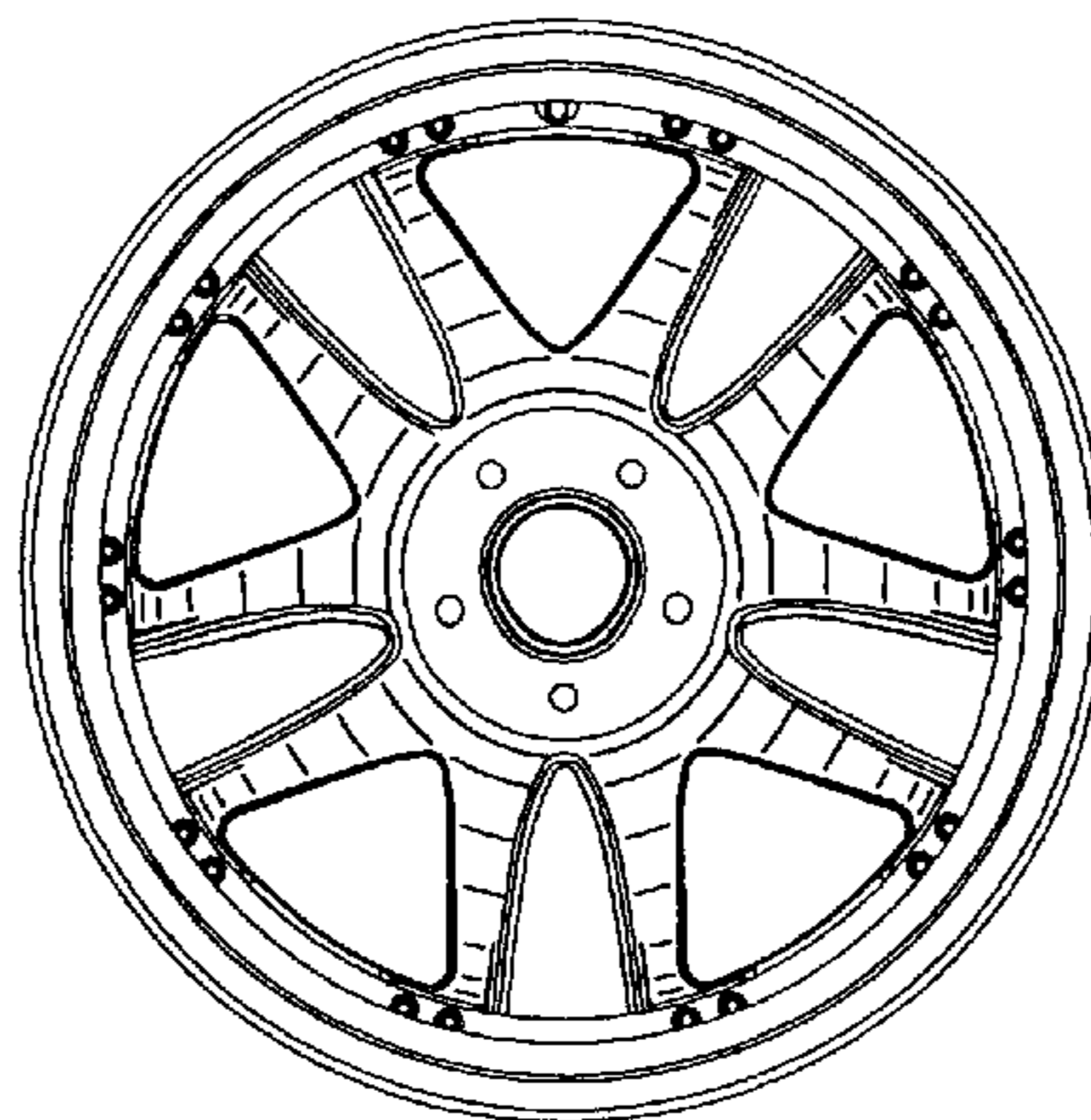


FIG. 8