



US00D519433S

(12) **United States Design Patent**
Finn et al.

(10) **Patent No.:** **US D519,433 S**

(45) **Date of Patent:** **** Apr. 25, 2006**

(54) **CONCAVE WHEEL FACE**

(75) Inventors: **Kellen M. Finn**, Broadview Heights, OH (US); **Matthew Charles Brest**, Hudson, OH (US); **Stephen T. Hamm**, Berea, OH (US); **Michael J. Doran**, LaKewood, OH (US)

(73) Assignee: **Alcoa Inc.**, Pittsburgh, PA (US)

(**) Term: **14 Years**

(21) Appl. No.: **29/209,760**

(22) Filed: **Jul. 21, 2004**

(51) **LOC (8) Cl.** **12-16**

(52) **U.S. Cl.** **D12/210**

(58) **Field of Classification Search** D12/204-213;
301/37.101, 64.101, 65

See application file for complete search history.

(56) **References Cited**

U.S. PATENT DOCUMENTS

D103,687 S	*	3/1937	Pattison	D12/210
D169,946 S	*	6/1953	Plotkin	D12/210
D173,666 S	*	12/1954	Mason	D12/210
D190,370 S	*	5/1961	Roberts	D12/210
D196,789 S	*	11/1963	Pyshe	D12/210
D213,314 S	*	2/1969	Reid	D12/209
D252,564 S	*	8/1979	Harty, Jr.	D12/210
D267,402 S		12/1982	Schinella		
D284,753 S	*	7/1986	Hedlund	D12/210
D288,197 S	*	2/1987	Goudy	D12/210
D288,312 S	*	2/1987	Envall	D12/210
D300,526 S	*	4/1989	Gilliam	D12/210
D324,200 S		2/1992	Lorinser		

D327,466 S	*	6/1992	Lipper	D12/210
D358,797 S	*	5/1995	Botterman	D12/209
D388,044 S		12/1997	Maier		
D437,278 S		2/2001	Sulahian		
D449,265 S		10/2001	Hull		
D492,923 S	*	7/2004	Whitehead	D12/204
D494,925 S	*	8/2004	Krieger et al.	D13/107
D502,678 S	*	3/2005	Weld	D12/210
D504,378 S	*	4/2005	Grossenbacher et al.	..	D12/209

* cited by examiner

Primary Examiner—Stacia Cadmus

(74) *Attorney, Agent, or Firm*—William F. Lang, IV; Eckert Seamans Cherin & Mellott, LLC

(57) **CLAIM**

The ornamental design for a concave wheel face, as shown and described.

DESCRIPTION

FIG. 1 is a front isometric view of a concave wheel face according to the new design.

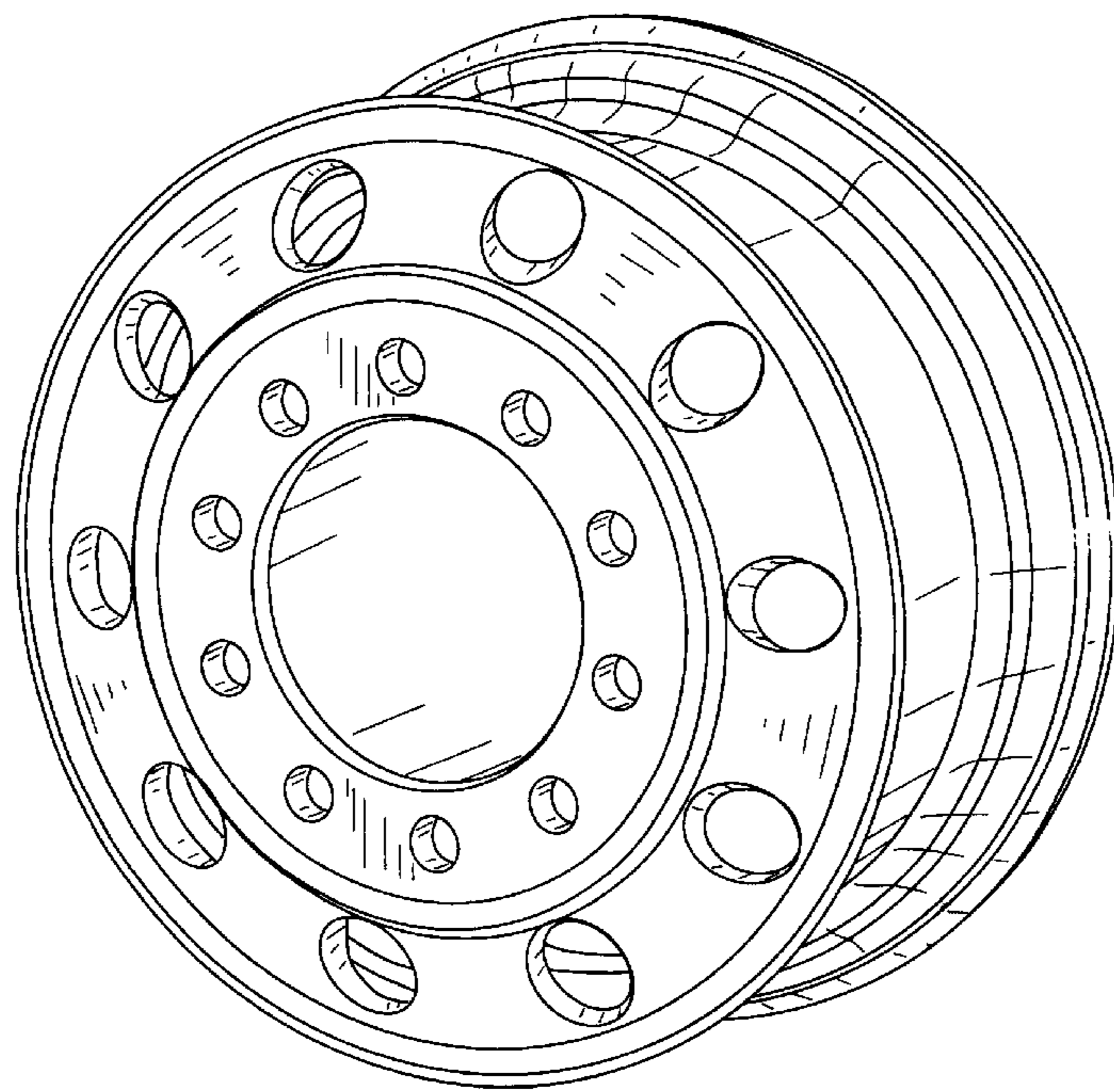
FIG. 2 is a front elevational view of a concave wheel face according to the new design; and,

FIG. 3 is a side view of the concave wheel face according to the new design.

The remaining side, top, and bottom views are identical to FIG. 3 except for the placement of the holes.

The characteristic feature of the design resides in the annular outwardly concave surface in which the larger radially outwardly disposed openings are present as shown in FIGS. 1-2 with the curvature best seen toward the front portion of FIG. 3.

1 Claim, 2 Drawing Sheets



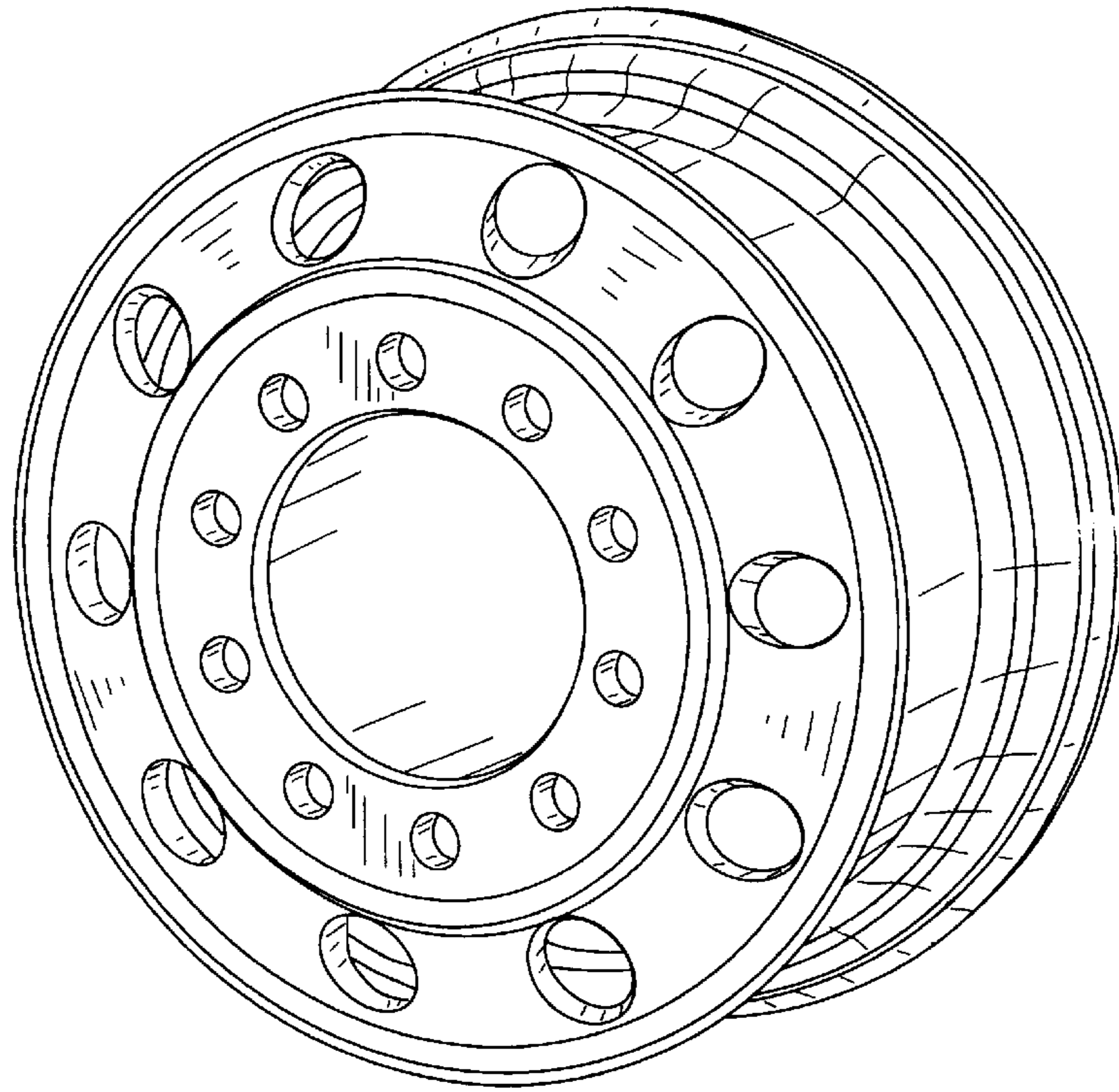


FIG. 1

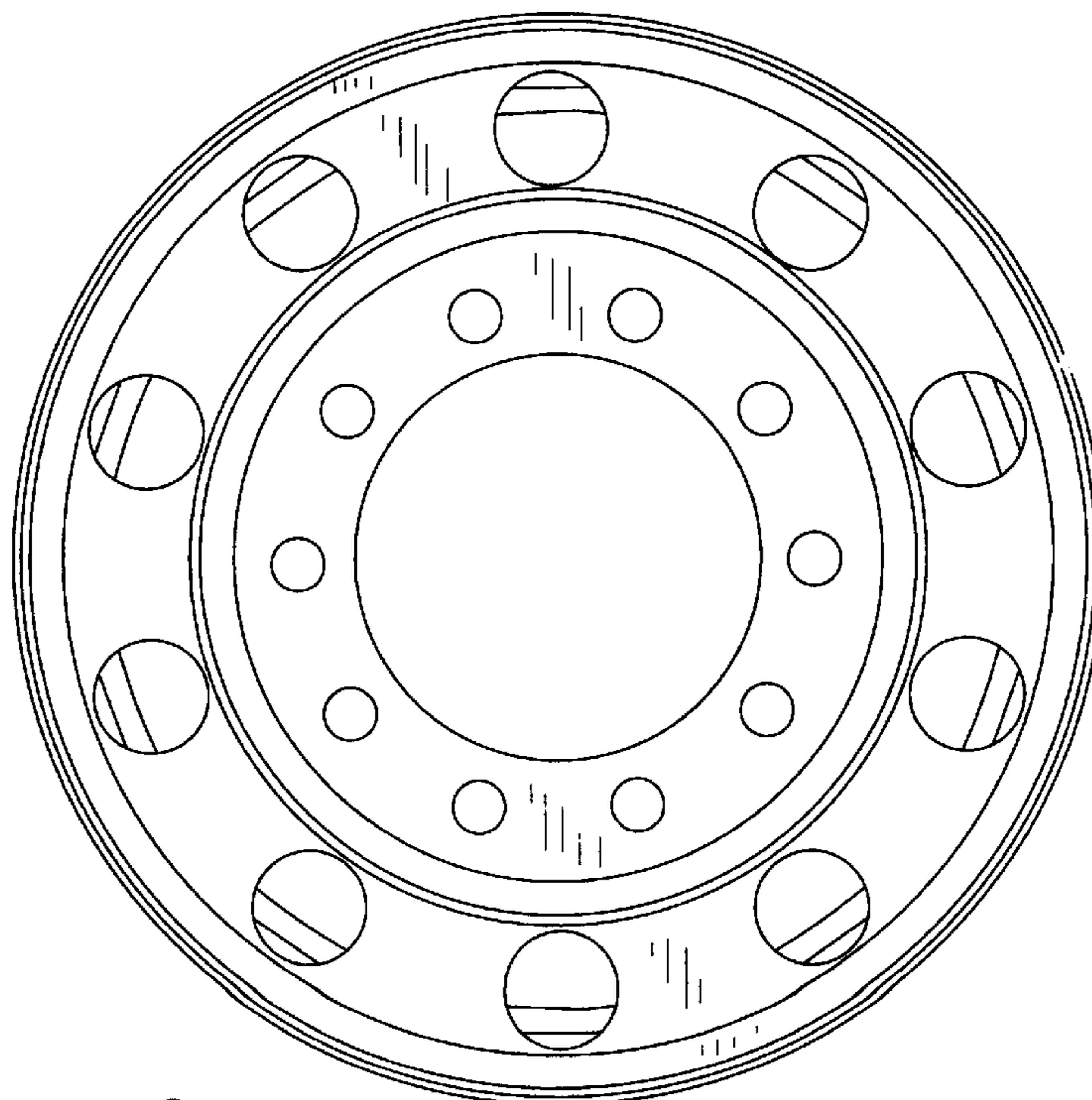


FIG. 2

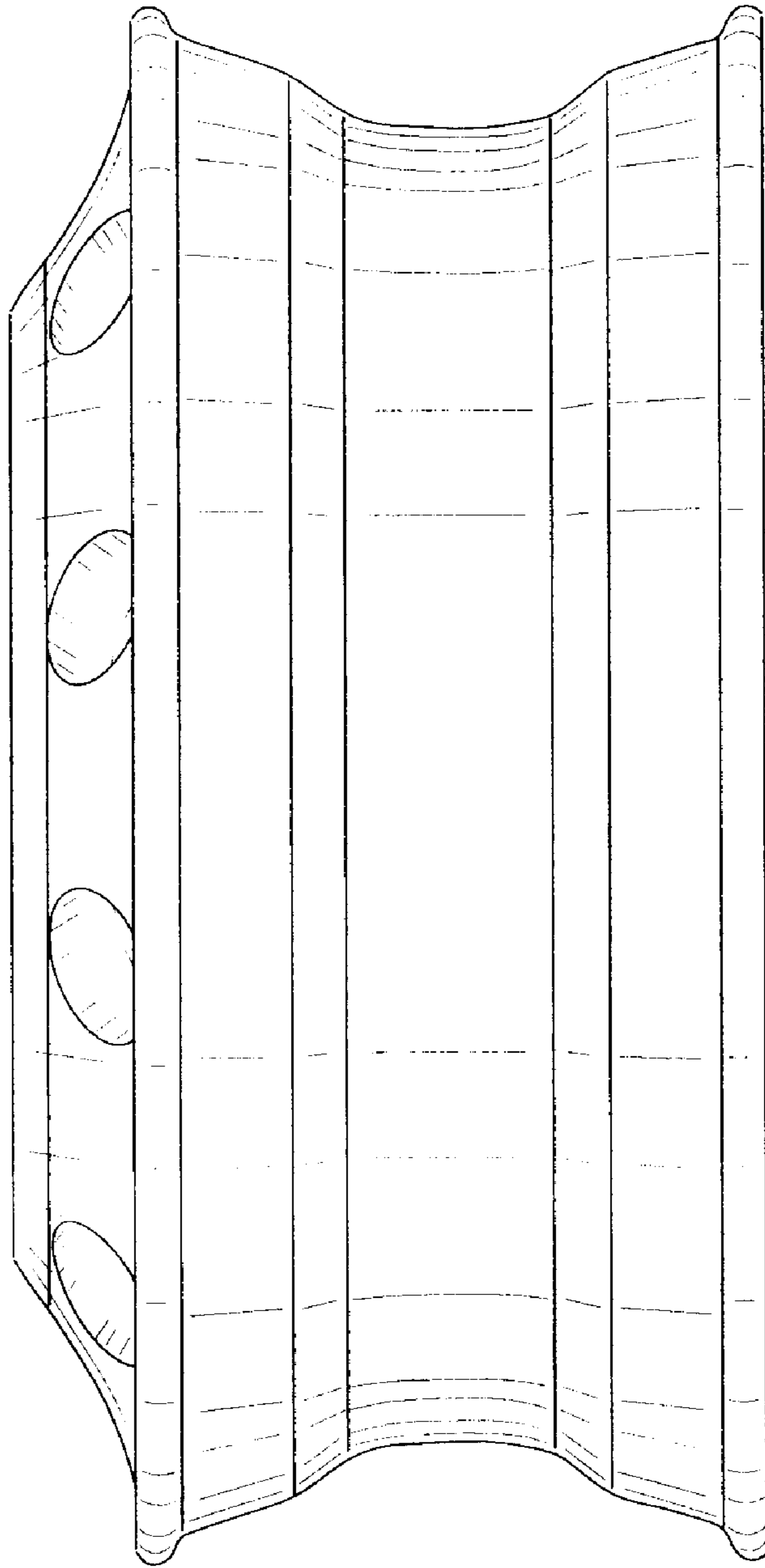


FIG. 3