



US00D519428S

(12) **United States Design Patent**
Ervolina

(10) **Patent No.:** **US D519,428 S**

(45) **Date of Patent:** **** Apr. 25, 2006**

(54) **MIRROR BRACKET**

FOREIGN PATENT DOCUMENTS

(75) Inventor: **Tony J. Ervolina**, Hacienda Heights,
CA (US)

JP 10058979 A * 3/1998

* cited by examiner

(73) Assignee: **Street Scene Manufacturing, Inc.**,
Costa Mesa, CA (US)

Primary Examiner—Holly H. Baynham
(74) *Attorney, Agent, or Firm*—Jones Day

(**) Term: **14 Years**

(57) **CLAIM**

(21) Appl. No.: **29/217,176**

The ornamental design for a mirror bracket, as shown and described.

(22) Filed: **Nov. 11, 2004**

DESCRIPTION

(51) **LOC (8) Cl.** **12-06**

FIG. 1 is a rear, left side perspective view of the mirror bracket.

(52) **U.S. Cl.** **D12/187**

FIG. 2 is a front, left side perspective view of the mirror bracket.

(58) **Field of Classification Search** D12/187;
D8/354, 349; 248/549, 539, 475.1; 296/146.1
See application file for complete search history.

FIG. 3 is a left side view of the mirror bracket.

FIG. 4 is a top plan view of the mirror bracket.

FIG. 5 is a rear elevational view of the mirror bracket.

FIG. 6 is a right side view of the mirror bracket.

FIG. 7 is a bottom plan view of the mirror bracket; and,

FIG. 8 is a front elevational view of the mirror bracket.

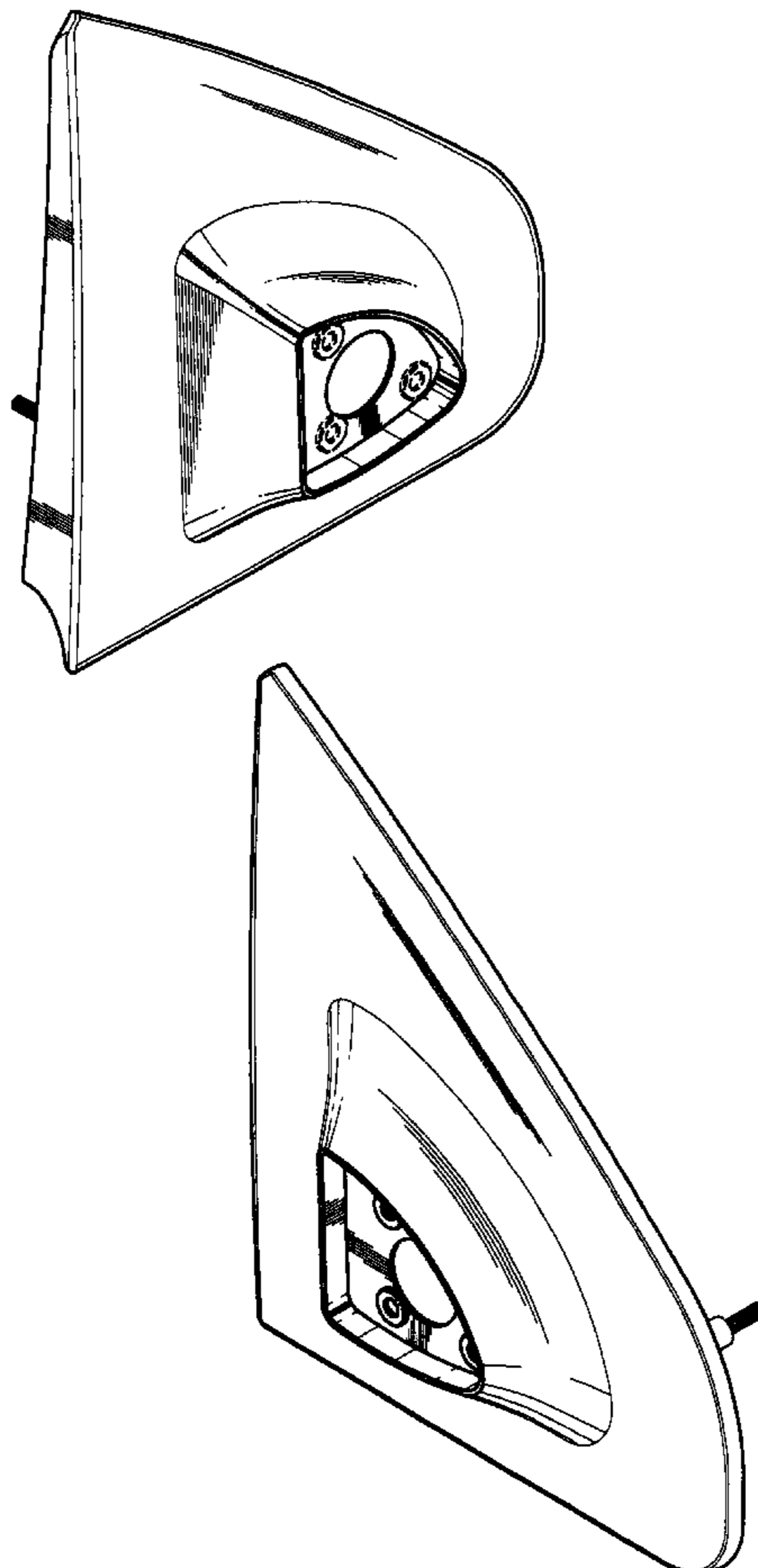
The broken line showing of bracket structure is for illustrative purposes only and forms no part of the claimed design.

(56) **References Cited**

U.S. PATENT DOCUMENTS

- D251,662 S * 4/1979 Hutchinson et al. D12/187
- 6,109,586 A * 8/2000 Hoek 248/476
- 6,239,928 B1 * 5/2001 Whitehead et al. 359/871

1 Claim, 3 Drawing Sheets



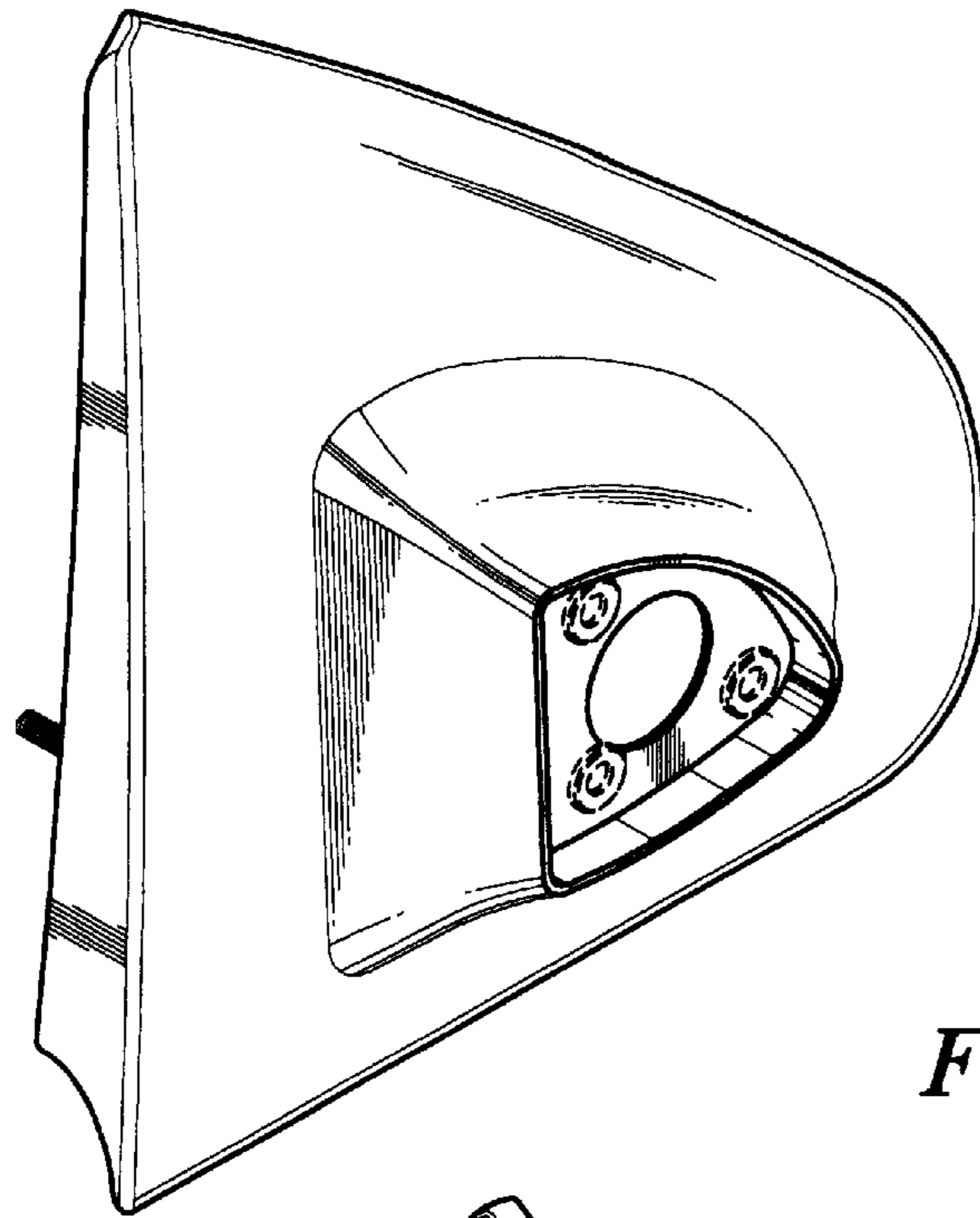
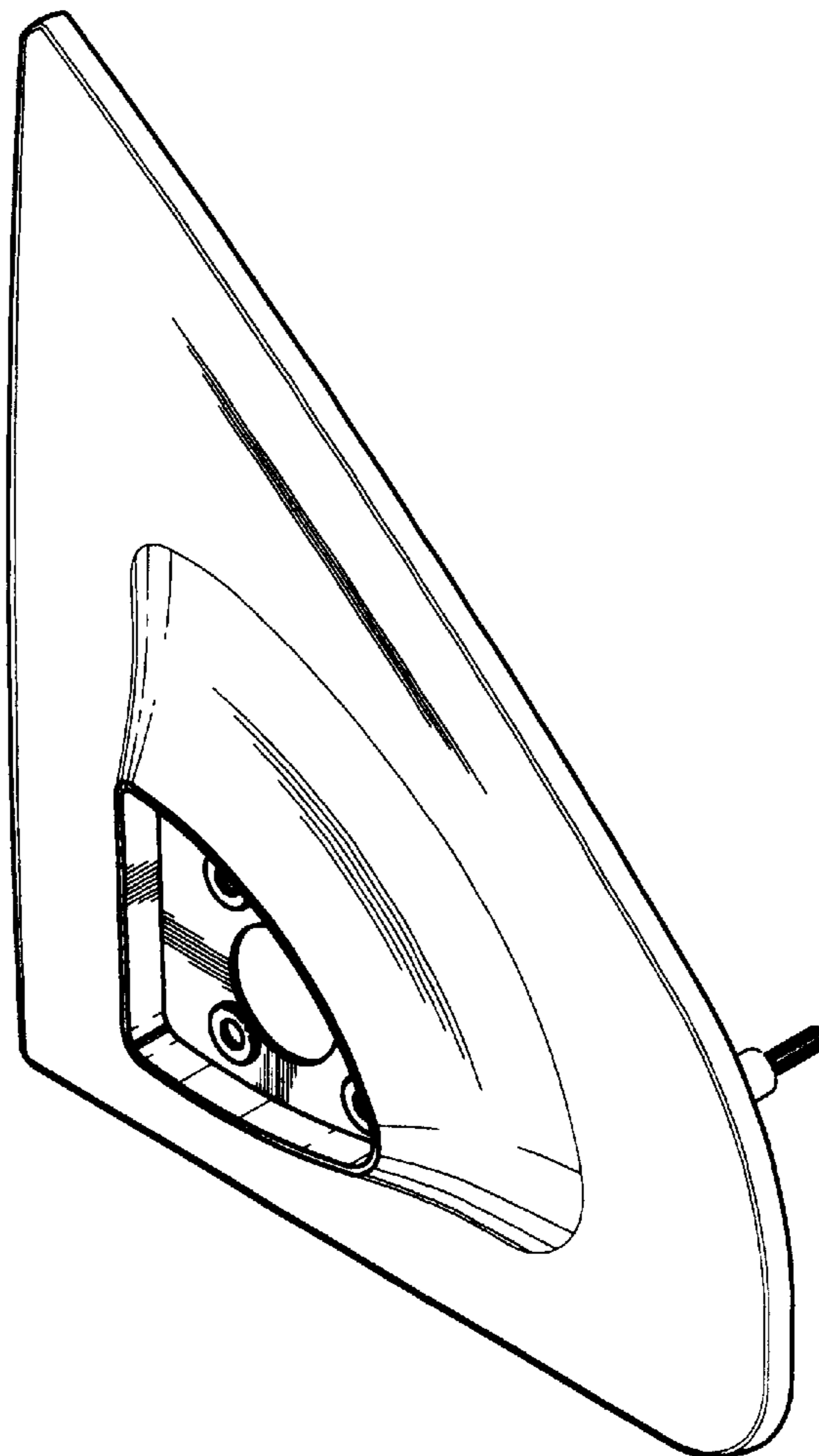


FIG. 1

FIG. 2



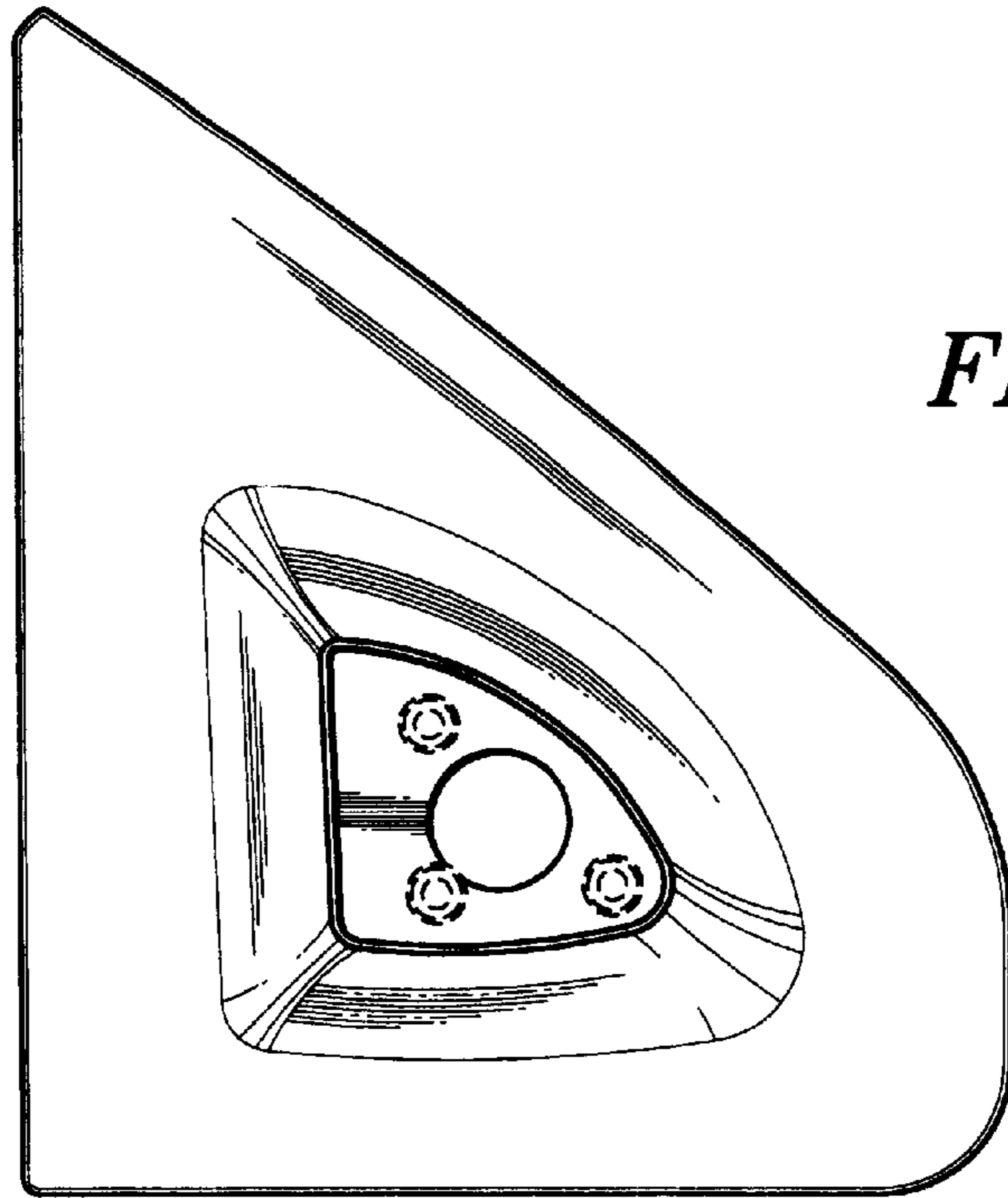


FIG. 3

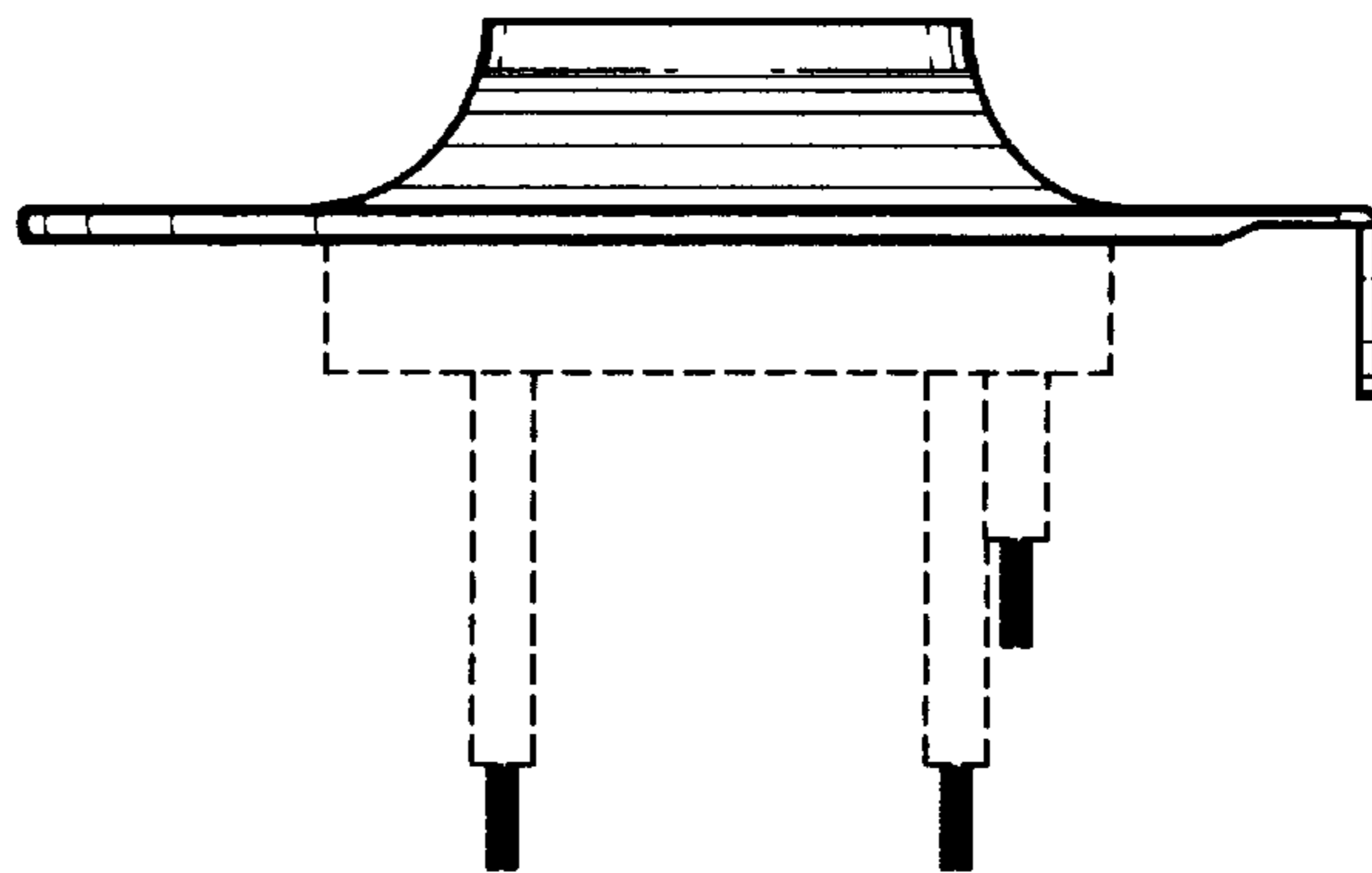


FIG. 4

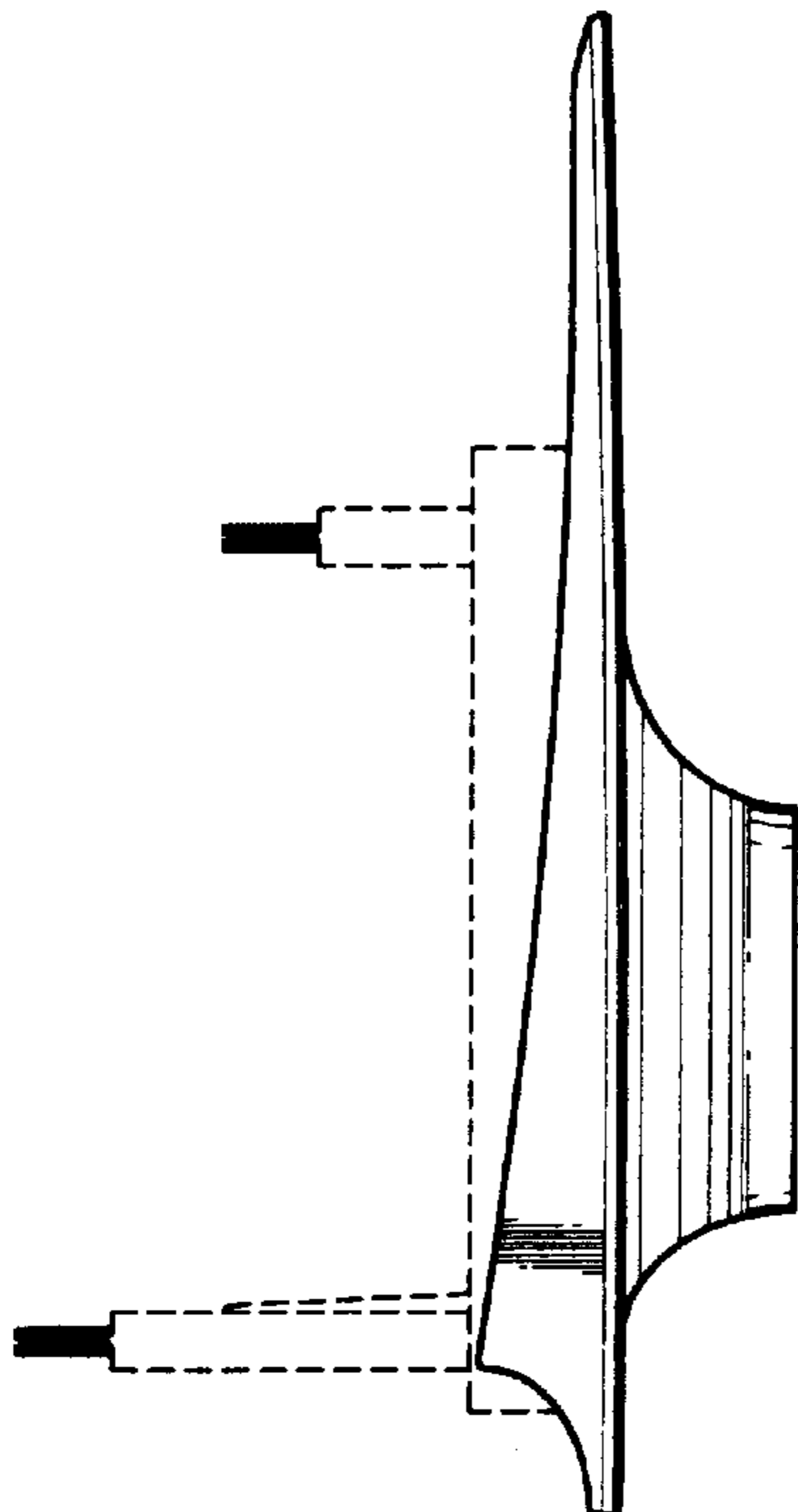


FIG. 5

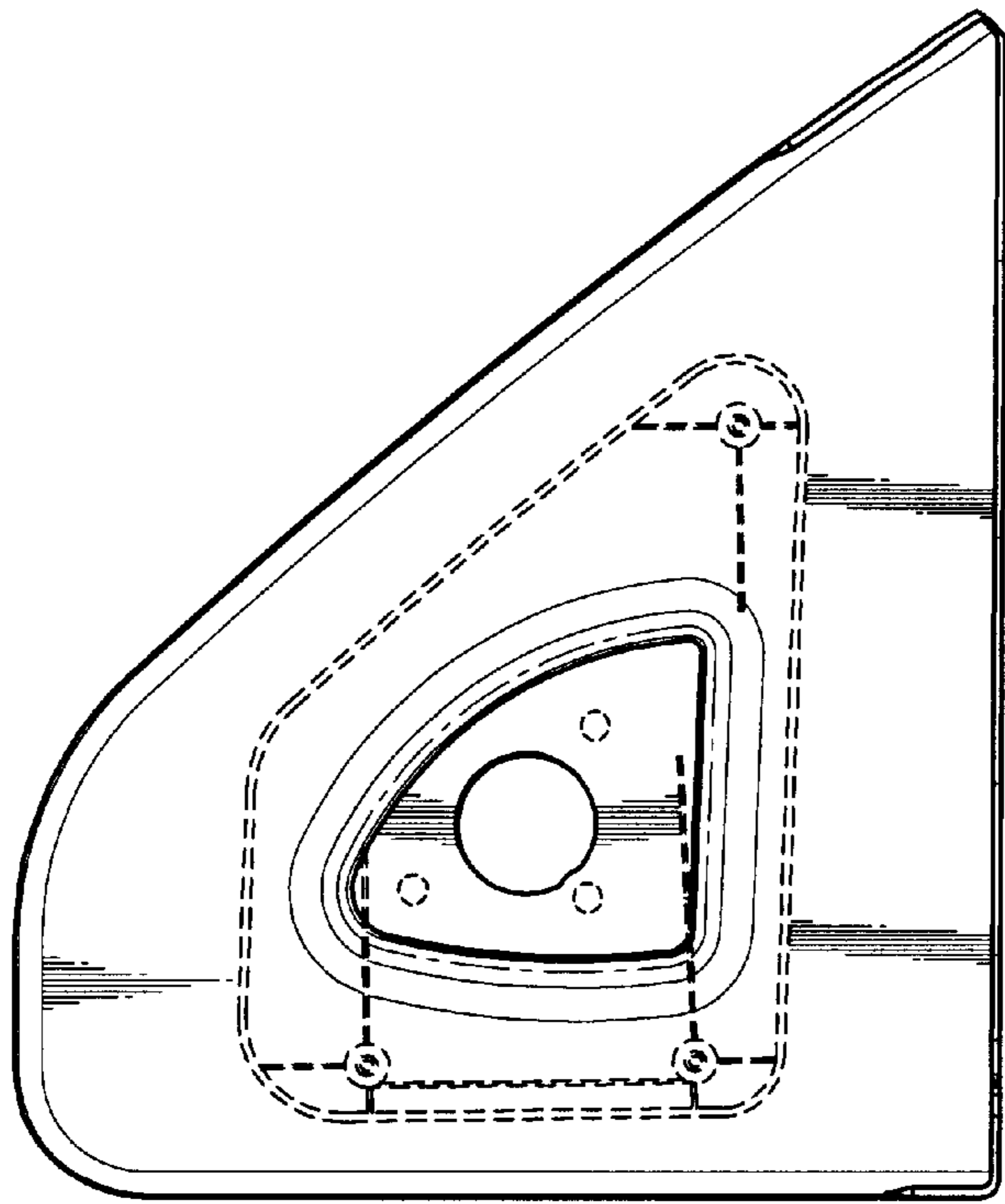


FIG. 6

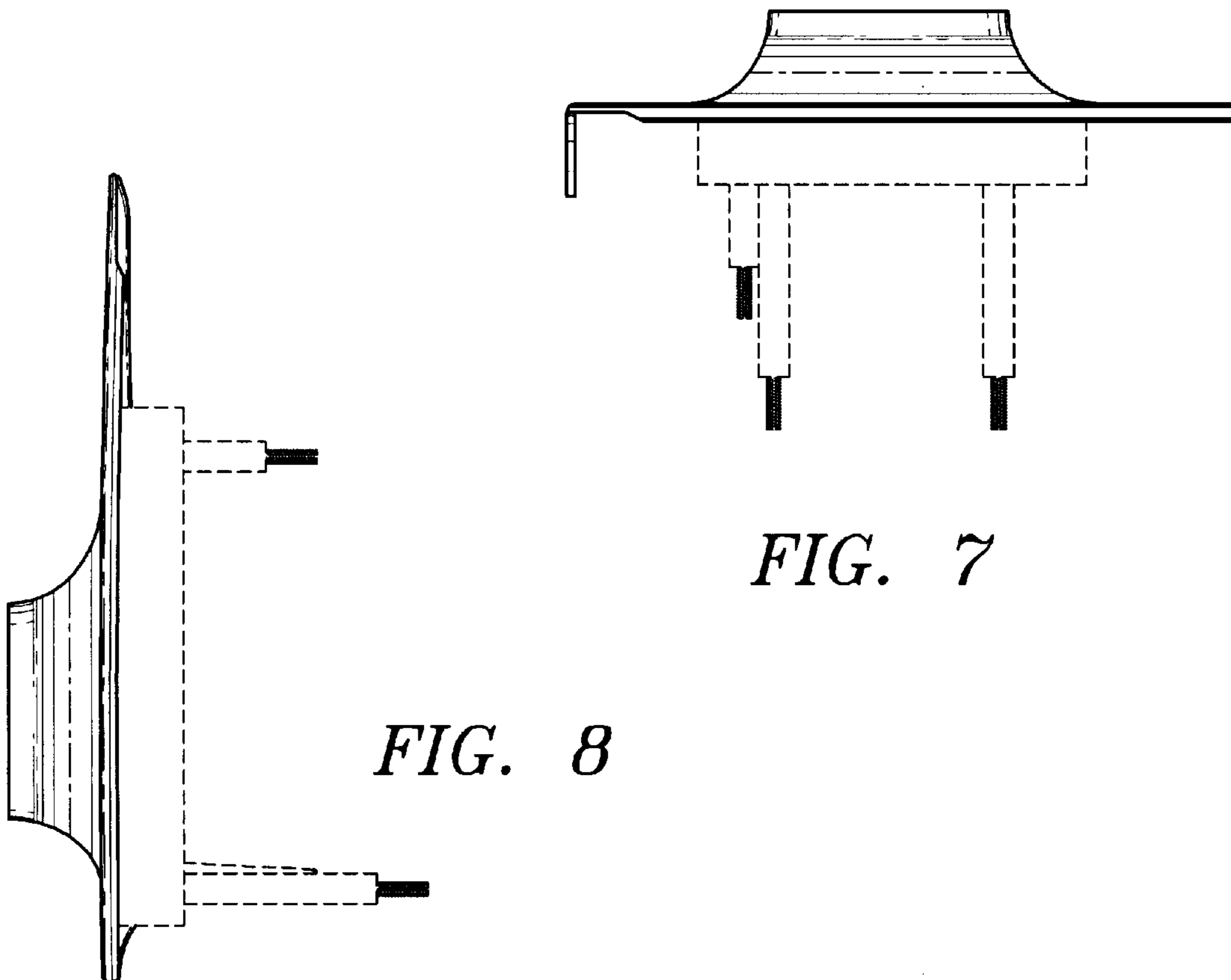


FIG. 7

FIG. 8