

US00D519424S

(12) **United States Design Patent**
Fisher

(10) **Patent No.:** **US D519,424 S**

(45) **Date of Patent:** **** Apr. 25, 2006**

(54) **TRAILER HITCH COVER**

(76) **Inventor:** **Francis Edwin Fisher**, 1958-190th St.,
Bronson, IA (US) 51007

(**) **Term:** **14 Years**

(21) **Appl. No.:** **29/222,049**

(22) **Filed:** **Jan. 25, 2005**

(51) **LOC (8) Cl.** **12-16**

(52) **U.S. Cl.** **D12/162**

(58) **Field of Classification Search** D12/162,
D12/400, 196; D7/515; D2/244; D9/307,
D9/441, 451; D29/102-104, 106; D23/260;
D14/230, 232; 211/14; 293/122; 280/415-416.3,
280/510-513, 504, 493-495, 477, 507
See application file for complete search history.

(56) **References Cited**

U.S. PATENT DOCUMENTS

D330,856 S * 11/1992 Kidd D9/451
D358,794 S * 5/1995 Thigpen D12/162
D378,197 S * 2/1997 Leverette et al. D9/451

D392,926 S * 3/1998 Adelaar D12/162
D401,193 S * 11/1998 Julian D12/162
D413,291 S * 8/1999 Corns, Jr. D12/162
D419,880 S * 2/2000 Adams D9/451
D428,839 S * 8/2000 Horowitz D12/162
D442,169 S * 5/2001 Shore et al. D14/232
D462,303 S * 9/2002 Swiggart D12/162
D475,328 S * 6/2003 Murguia D12/162
D484,076 S * 12/2003 O'Malley D12/162

* cited by examiner

Primary Examiner—Stacia Cadmus

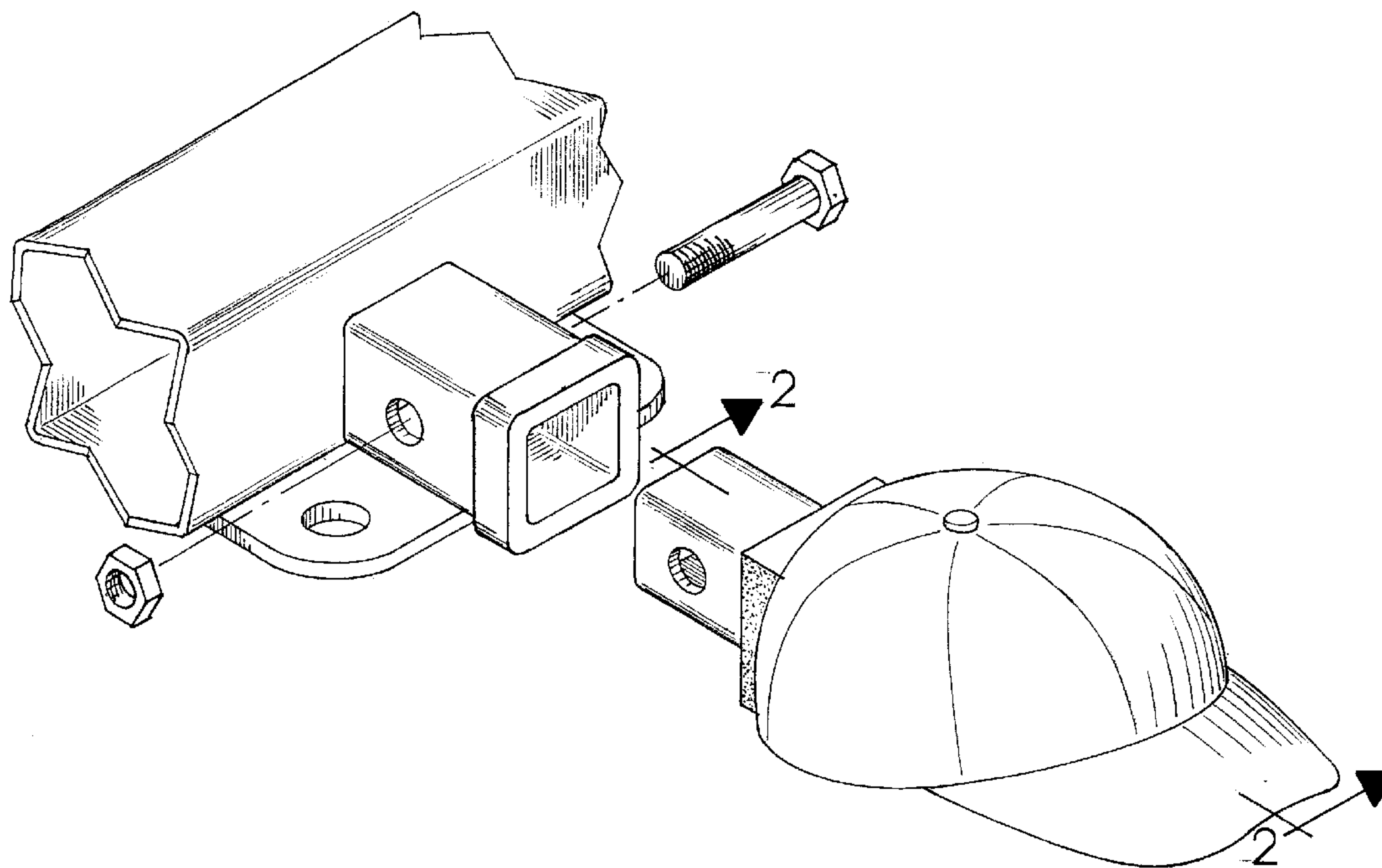
(57) **CLAIM**

The ornamental design for a trailer hitch cover, as shown and described.

DESCRIPTION

FIG. 1 is a perspective view of a trailer hitch cover, showing my new design; and,
FIG. 2 is a section view taken along line 2—2 in FIG. 1. The broken line showing of environment is for illustrative purposes only and forms no part of the claimed design.

1 Claim, 2 Drawing Sheets



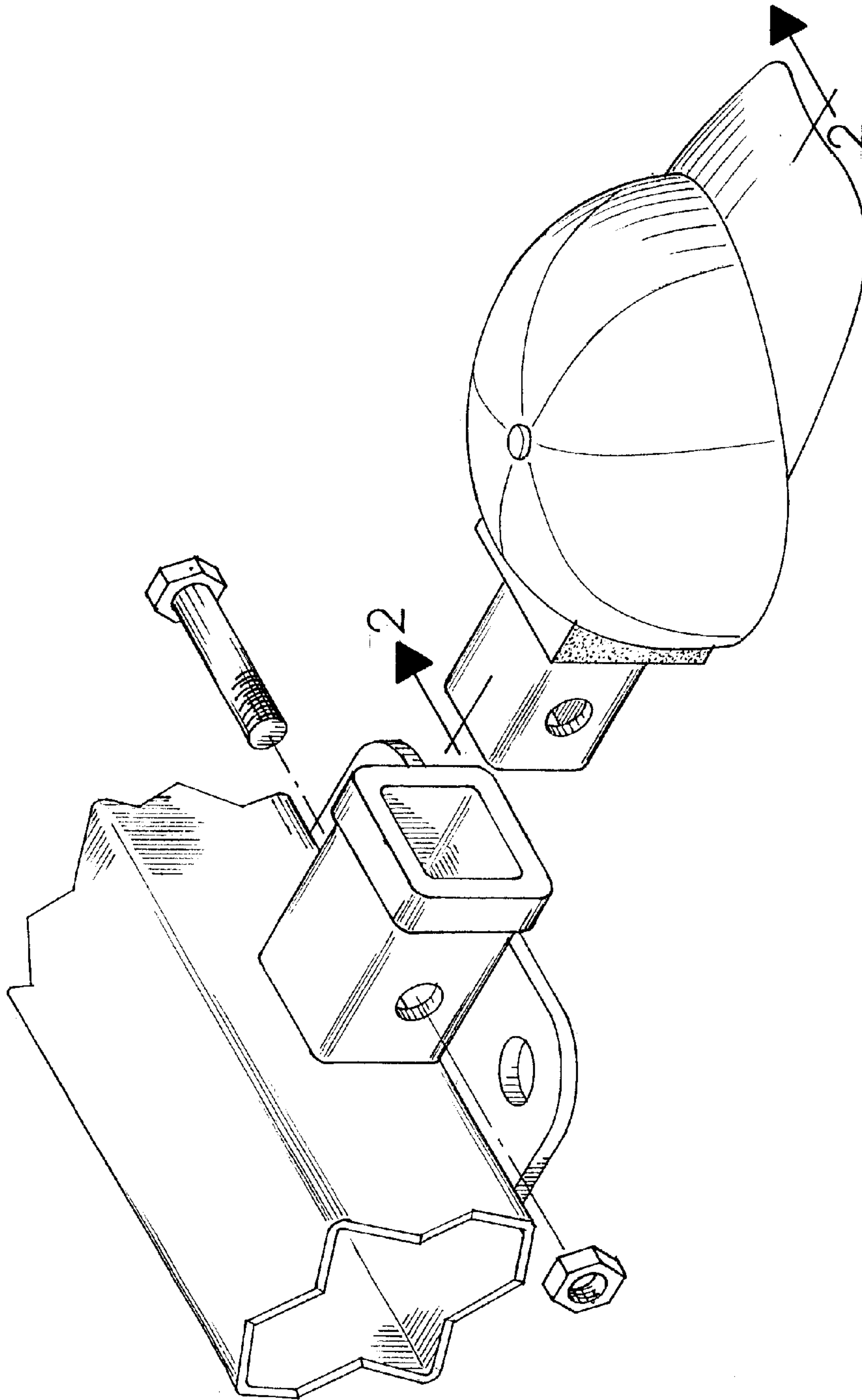


FIG. 1

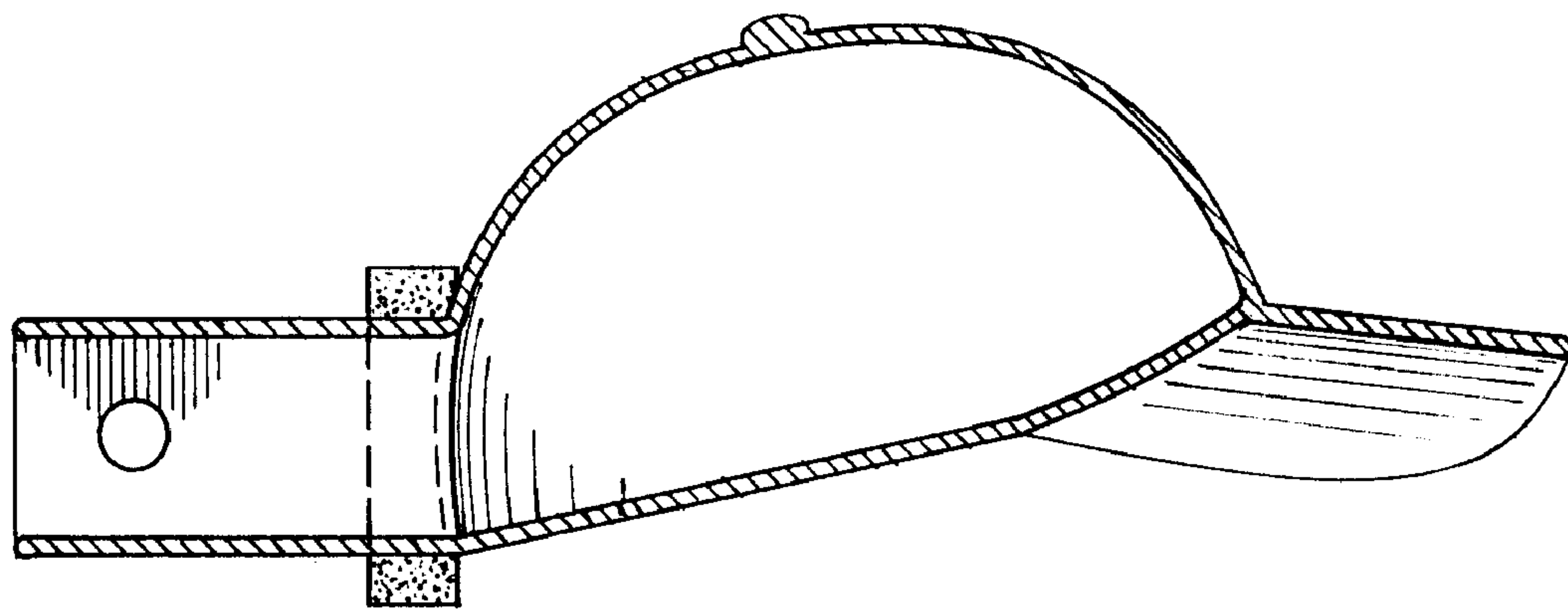


FIG. 2