



US00D519423S

(12) **United States Design Patent**
Tolfsen

(10) **Patent No.:** **US D519,423 S**
(45) **Date of Patent:** **** Apr. 25, 2006**

(54) **WALKER**

(75) Inventor: **Ulf Tolfsen**, Gamle Fredrikstad (NO)

(73) Assignee: **Access AS** (NO)

(**) Term: **14 Years**

(21) Appl. No.: **29/225,365**

(22) Filed: **Mar. 16, 2005**

(30) **Foreign Application Priority Data**

Sep. 17, 2004 (NO) 2004 0527

(51) **LOC (8) Cl.** **12-12**

(52) **U.S. Cl.** **D12/130**

(58) **Field of Classification Search** D12/128-133;
135/65, 66, 67, 70; 280/47.27, 47.29, 47.35
See application file for complete search history.

(56) **References Cited**

U.S. PATENT DOCUMENTS

D451,053 S	*	11/2001	Hallgrimsson	D12/130
D481,336 S	*	10/2003	Wu	D12/130
D495,628 S	*	9/2004	Cowie	D12/130
D501,432 S	*	2/2005	Møller	D12/130
D503,909 S	*	4/2005	Tolfsen et al.	D12/130

* cited by examiner

Primary Examiner—Marcus A. Jackson

(74) *Attorney, Agent, or Firm*—Rothwell, Figg, Ernst & Manbeck, P.C.

(57) **CLAIM**

The ornamental design for a walker, as shown and described.

DESCRIPTION

FIG. 1 is an isometric view of a walker of an embodiment according to the present invention view as seen generally from the front, slightly from an elevated position and from the right side

FIG. 2 is an isometric view of the embodiment of FIG. 1 as seen generally from the rear, slightly from an elevated position and from the left side

FIG. 3 is an isometric view as seen generally from the rear, slightly from a lowered position and from the left side shown in FIG. 1.

FIG. 4 is an isometric view as seen generally from the front, slightly from a lowered position and from the right side shown in FIG. 1

FIG. 5 is a front view of the walker shown in FIG. 1

FIG. 6 is a rear view of the walker shown in FIG. 1

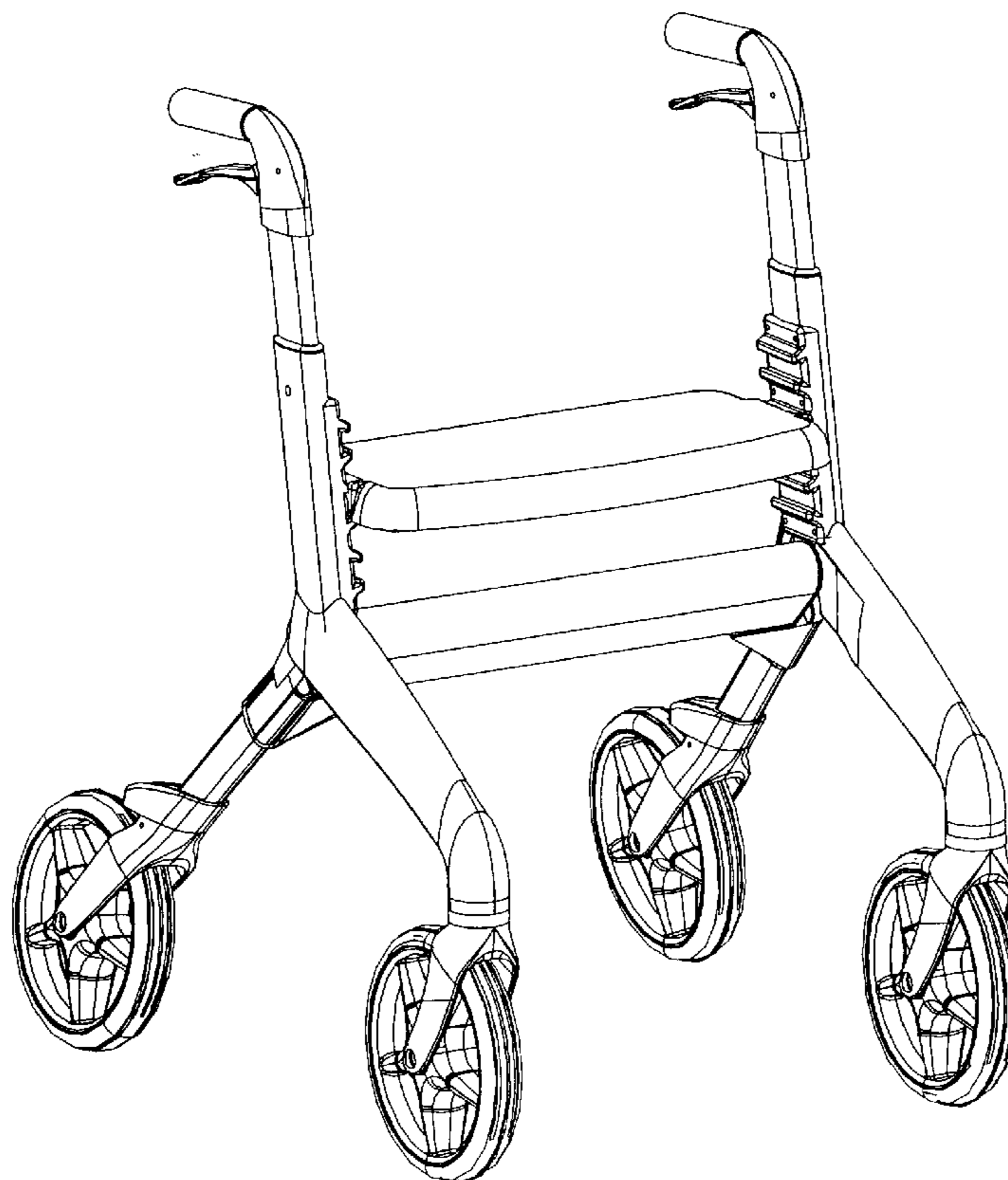
FIG. 7 is a right side view of the walker shown in FIG. 1

FIG. 8 is a left side view of the walker shown in FIG. 1

FIG. 9 is a top view of the walker shown in FIG. 1; and,

FIG. 10 is a bottom view of the walker shown in FIG. 1.

1 Claim, 10 Drawing Sheets



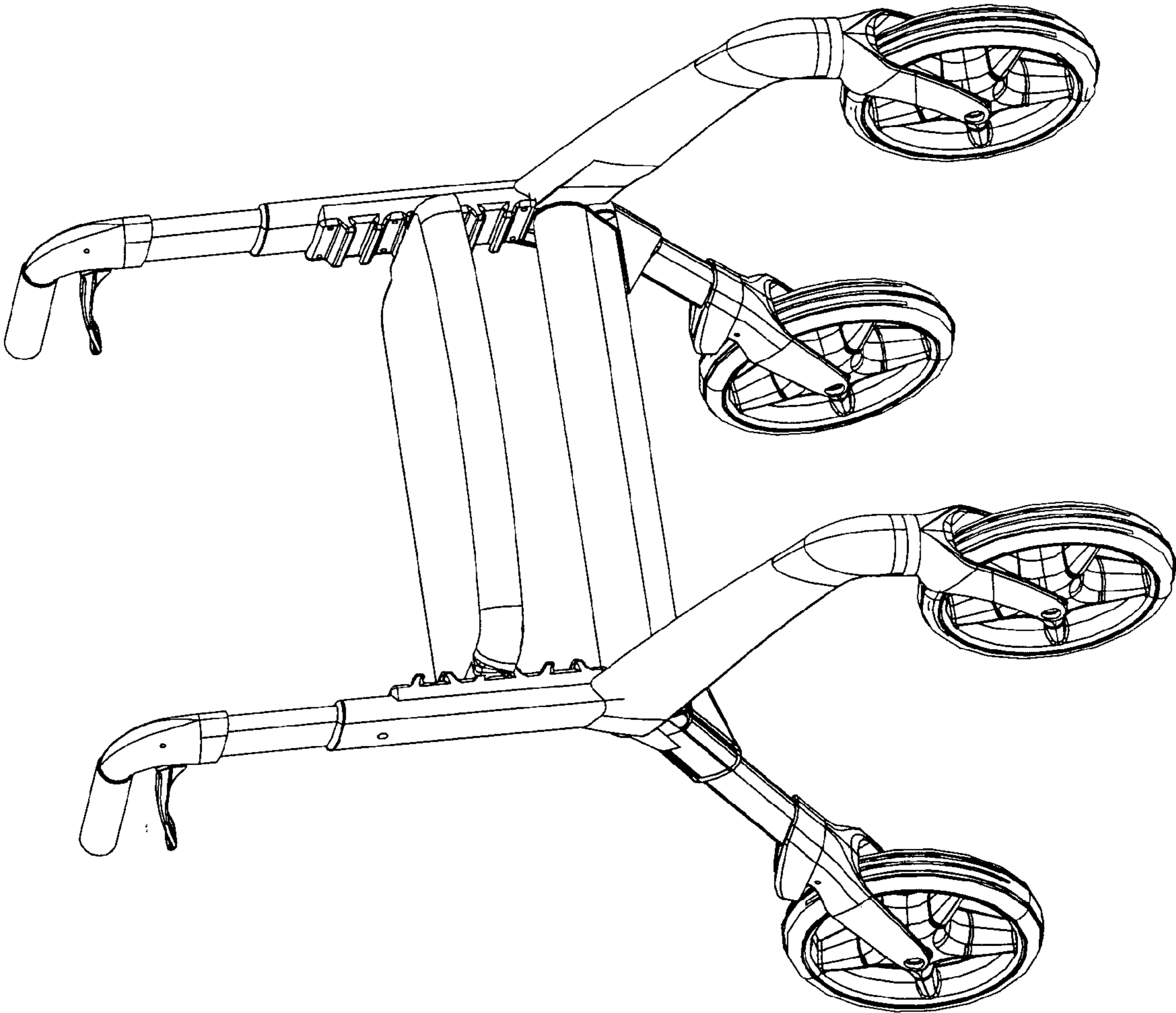


Fig. 1

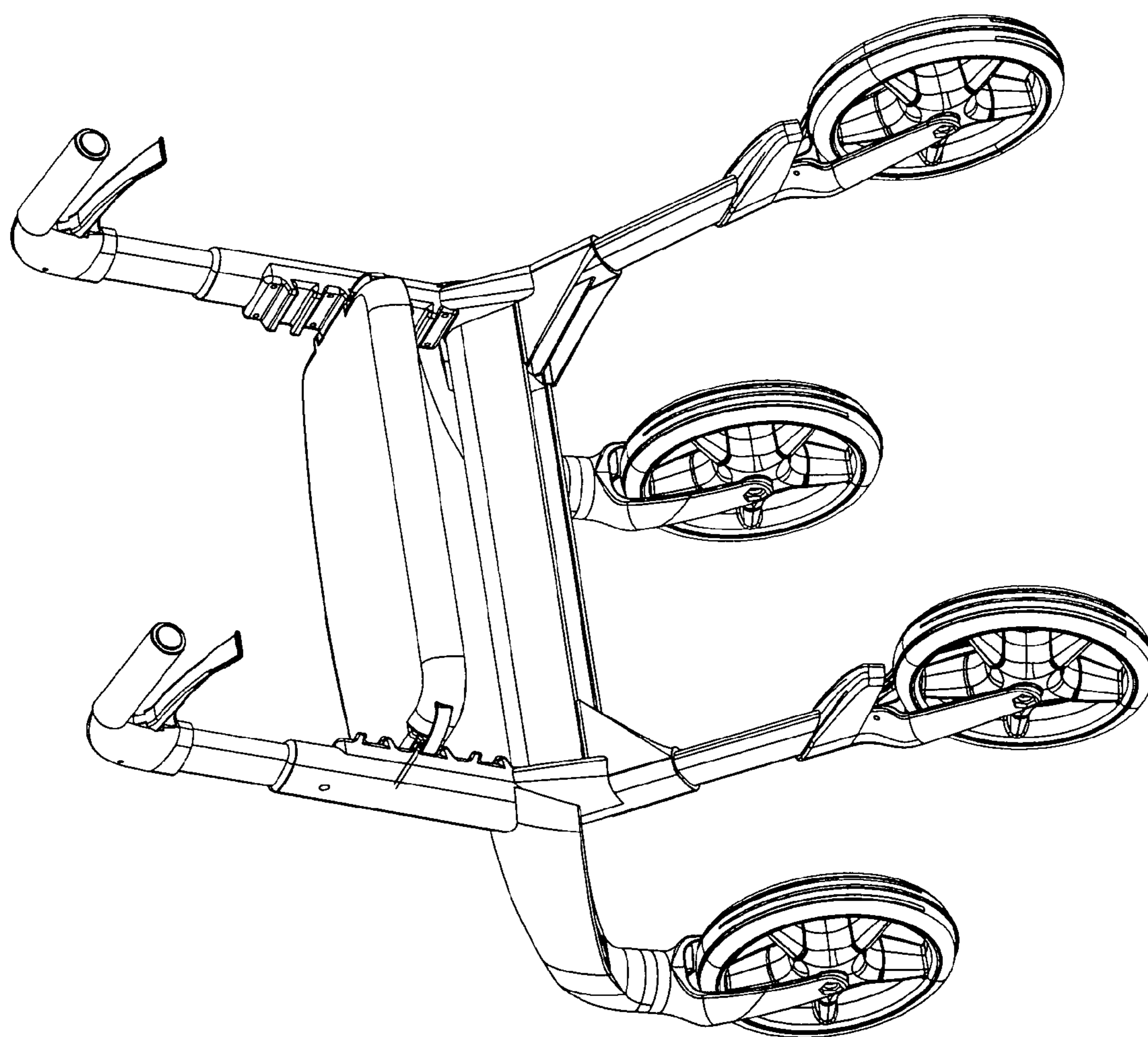


Fig. 2

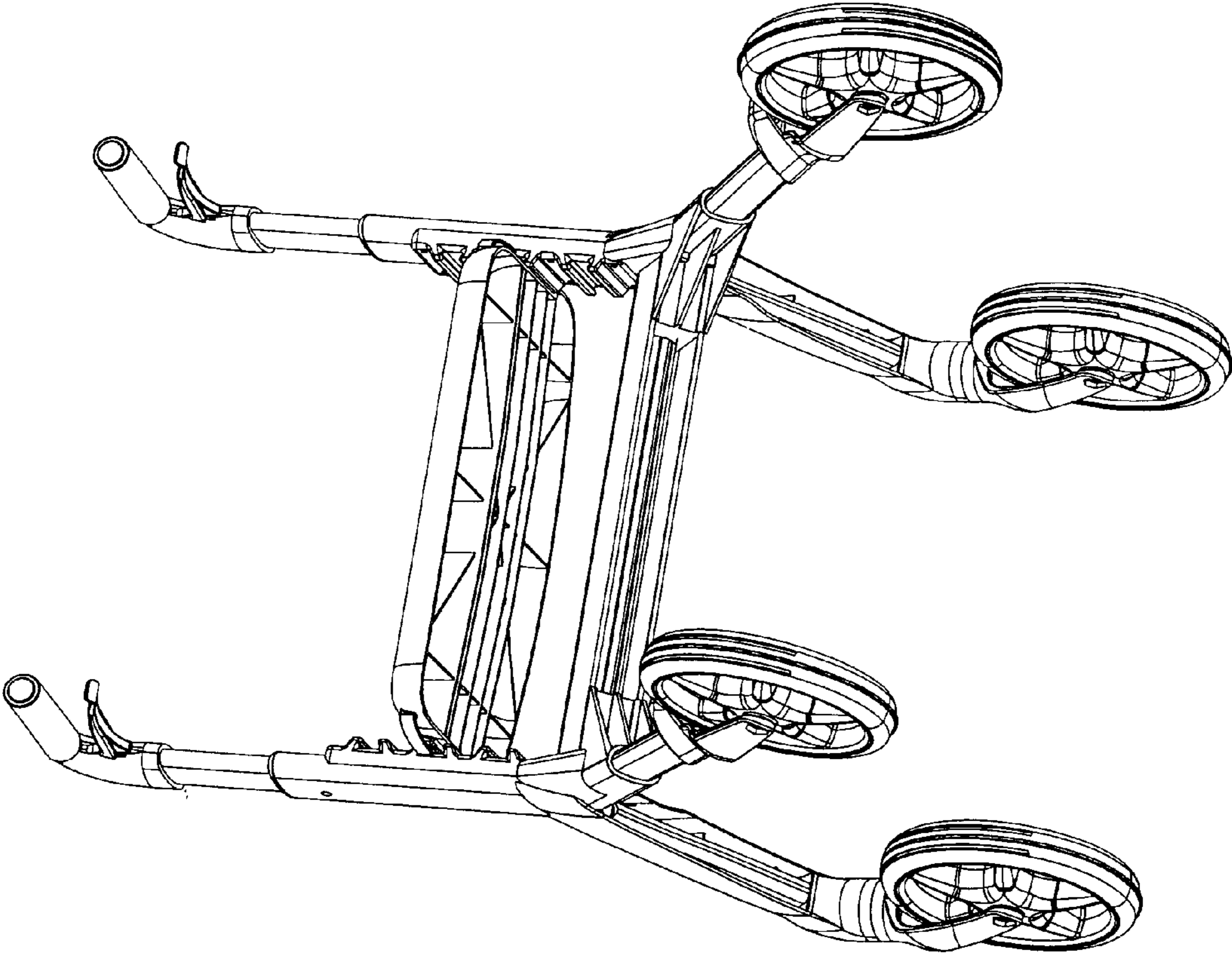


Fig. 3

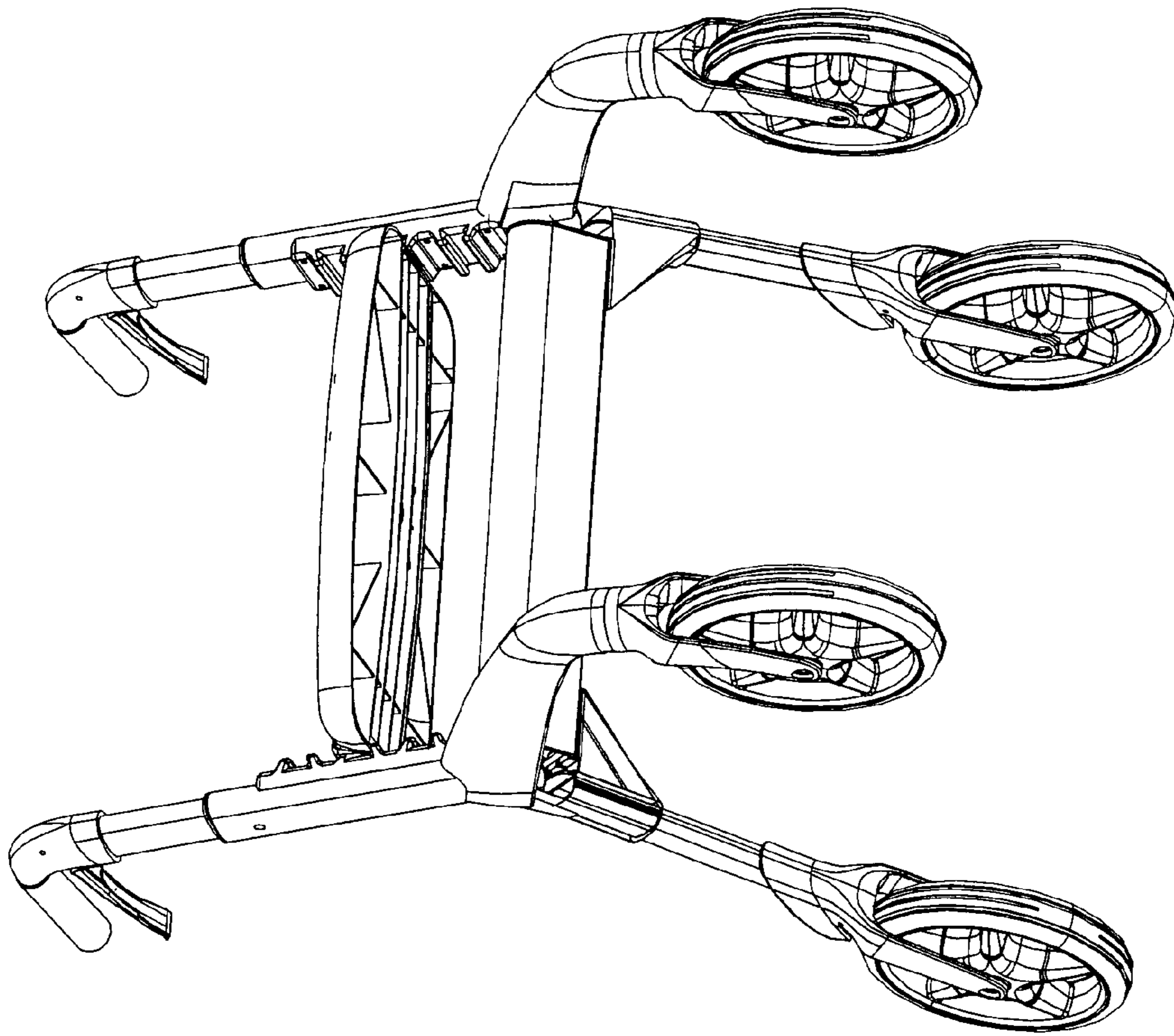


Fig. 4

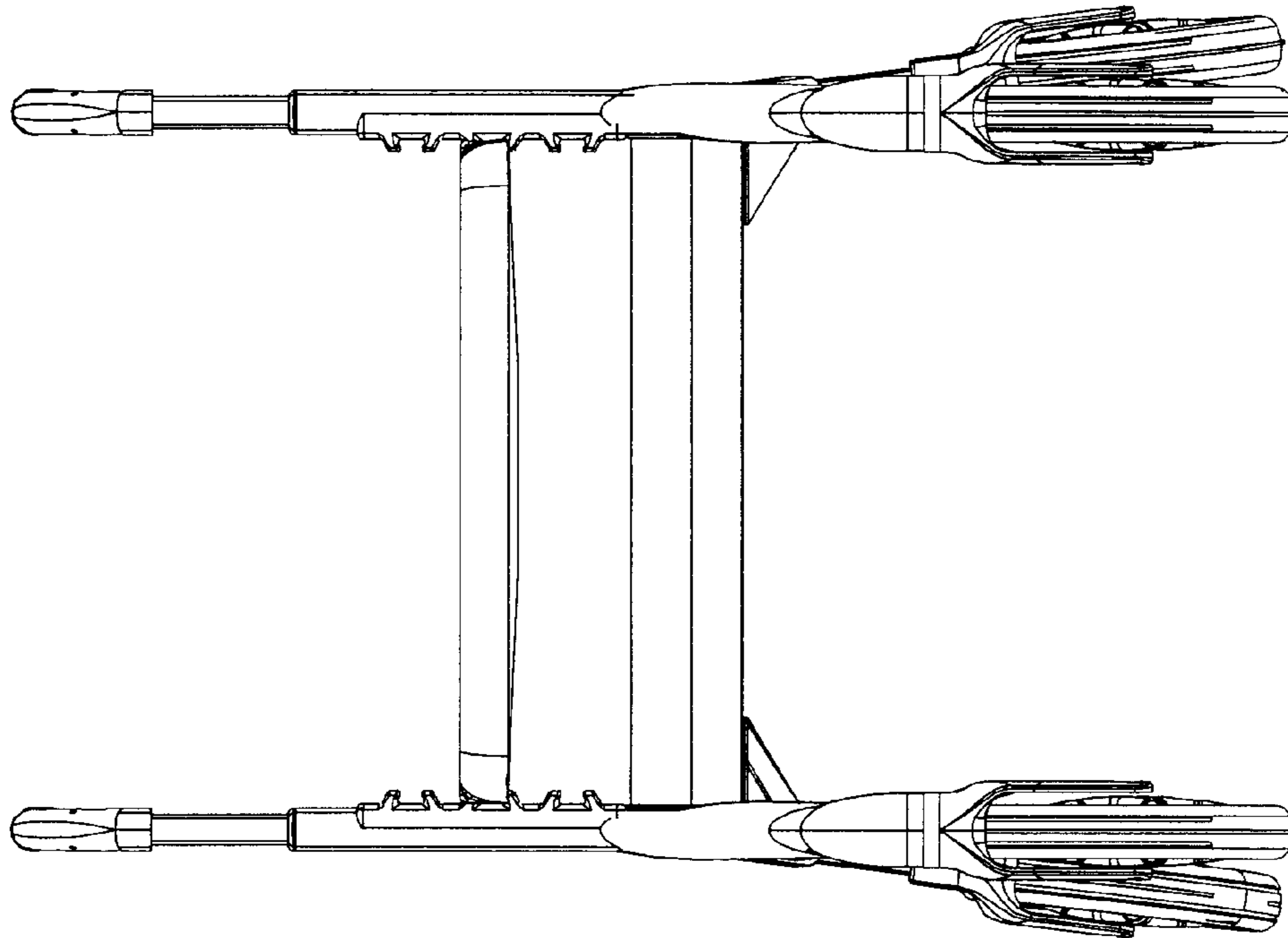


Fig. 5

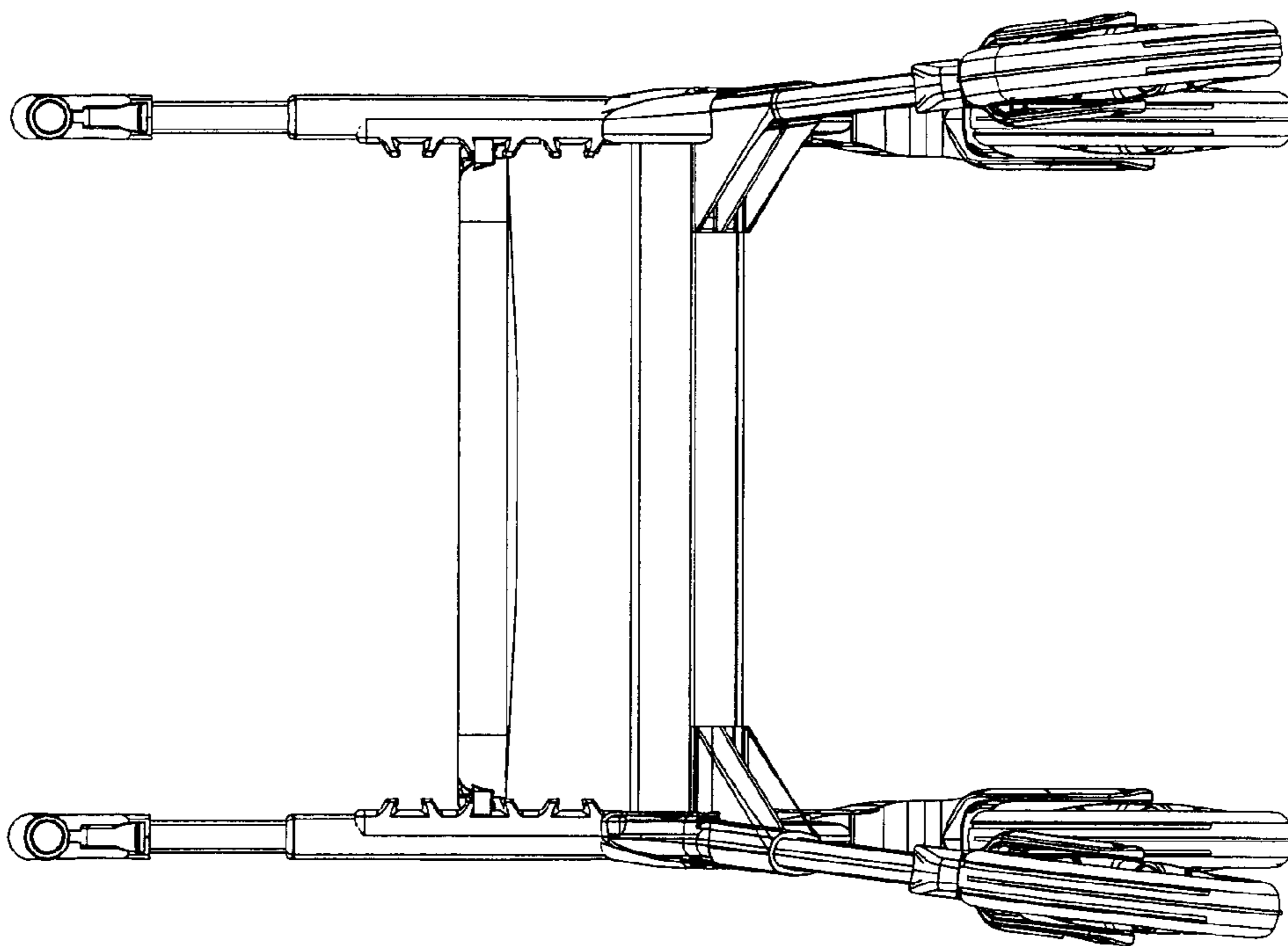


Fig. 6

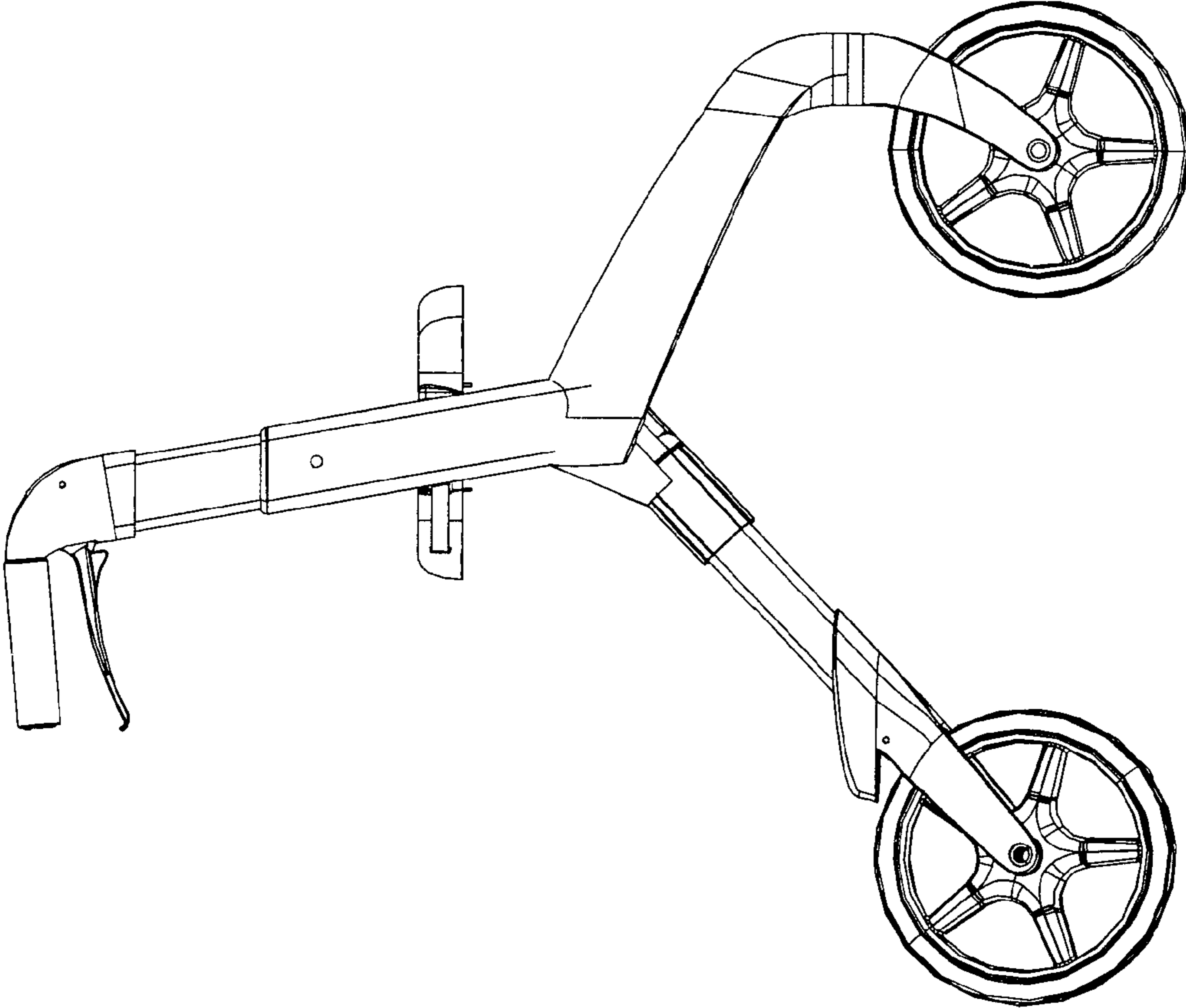


Fig. 7

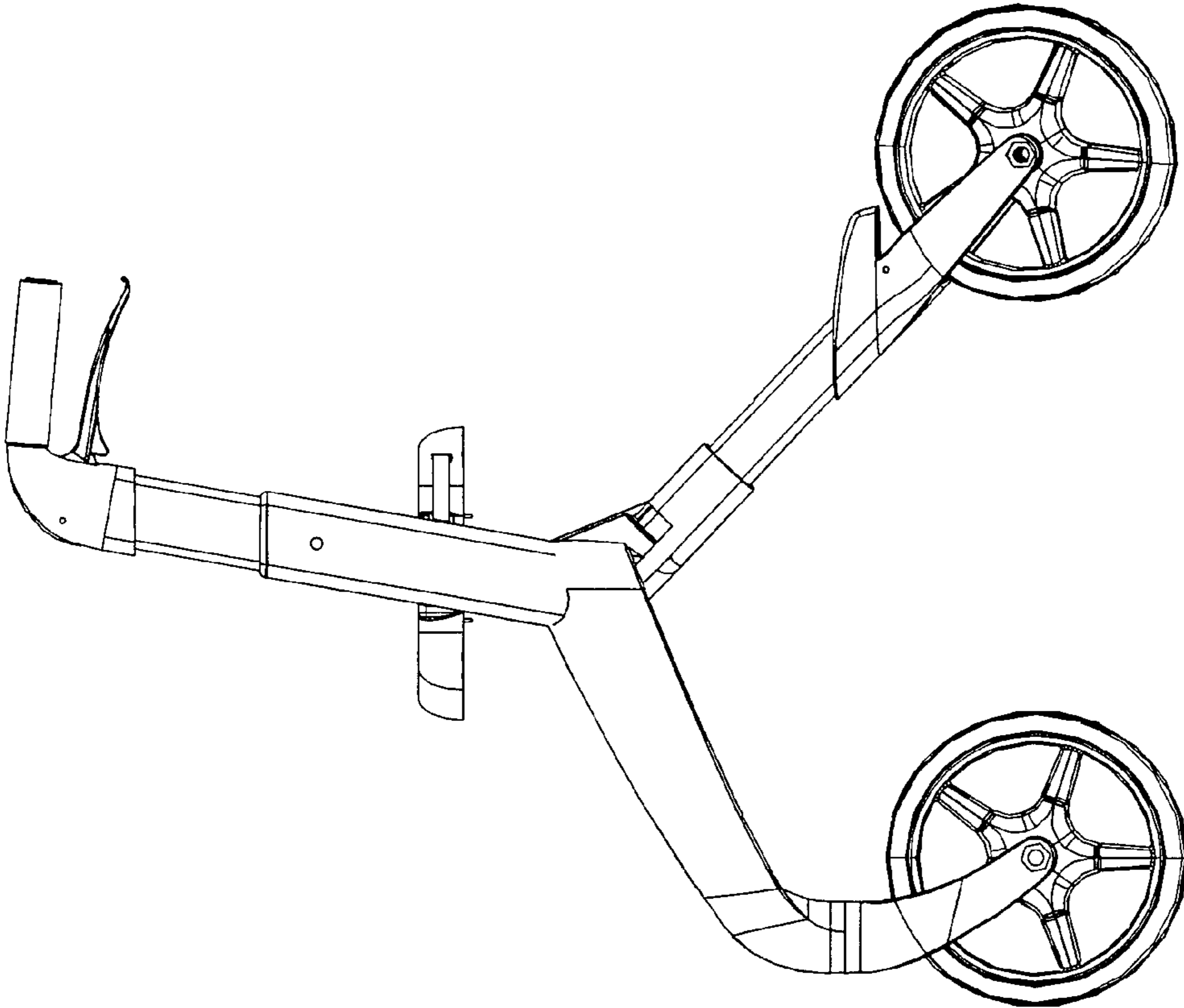


Fig. 8

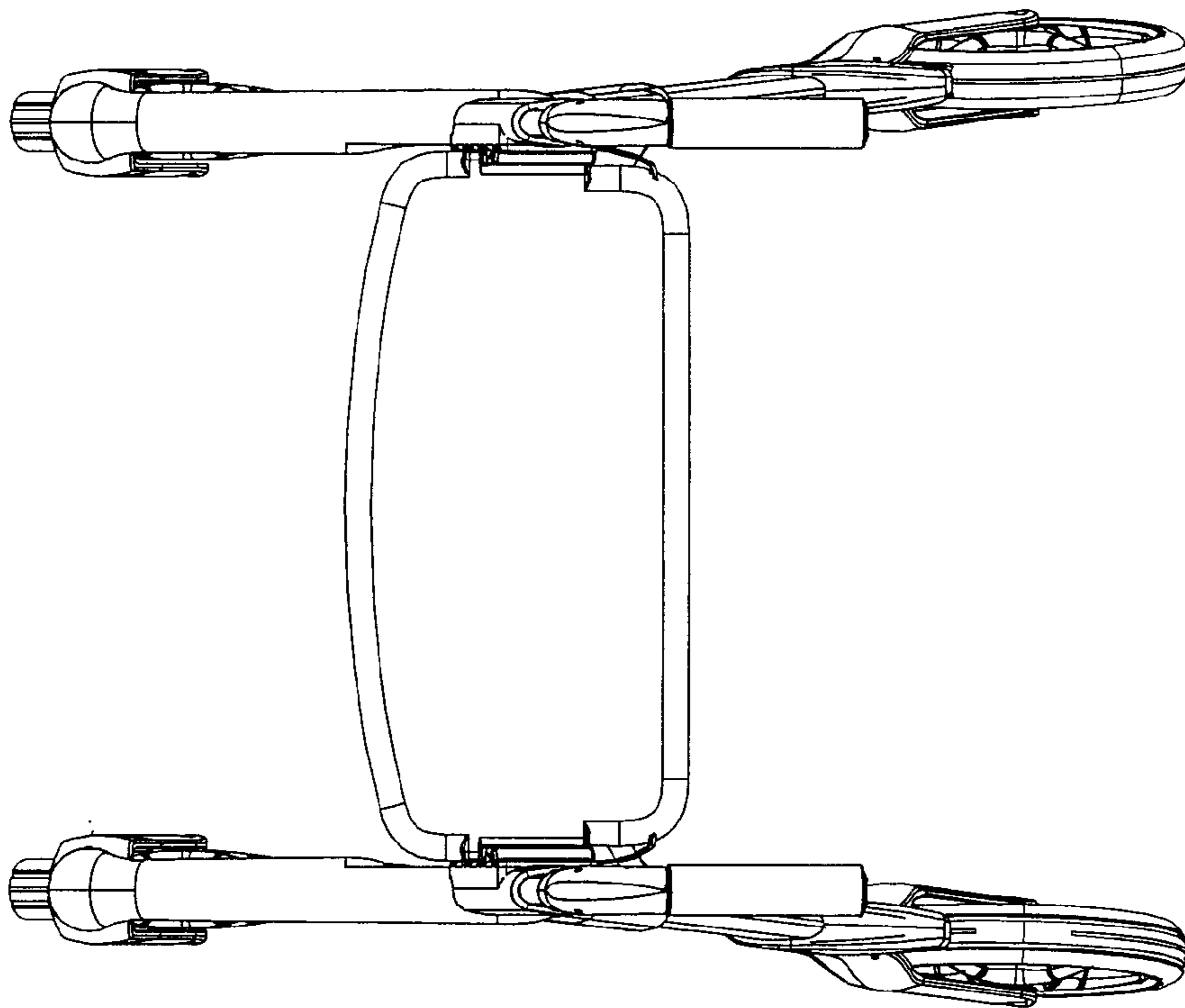


Fig. 9

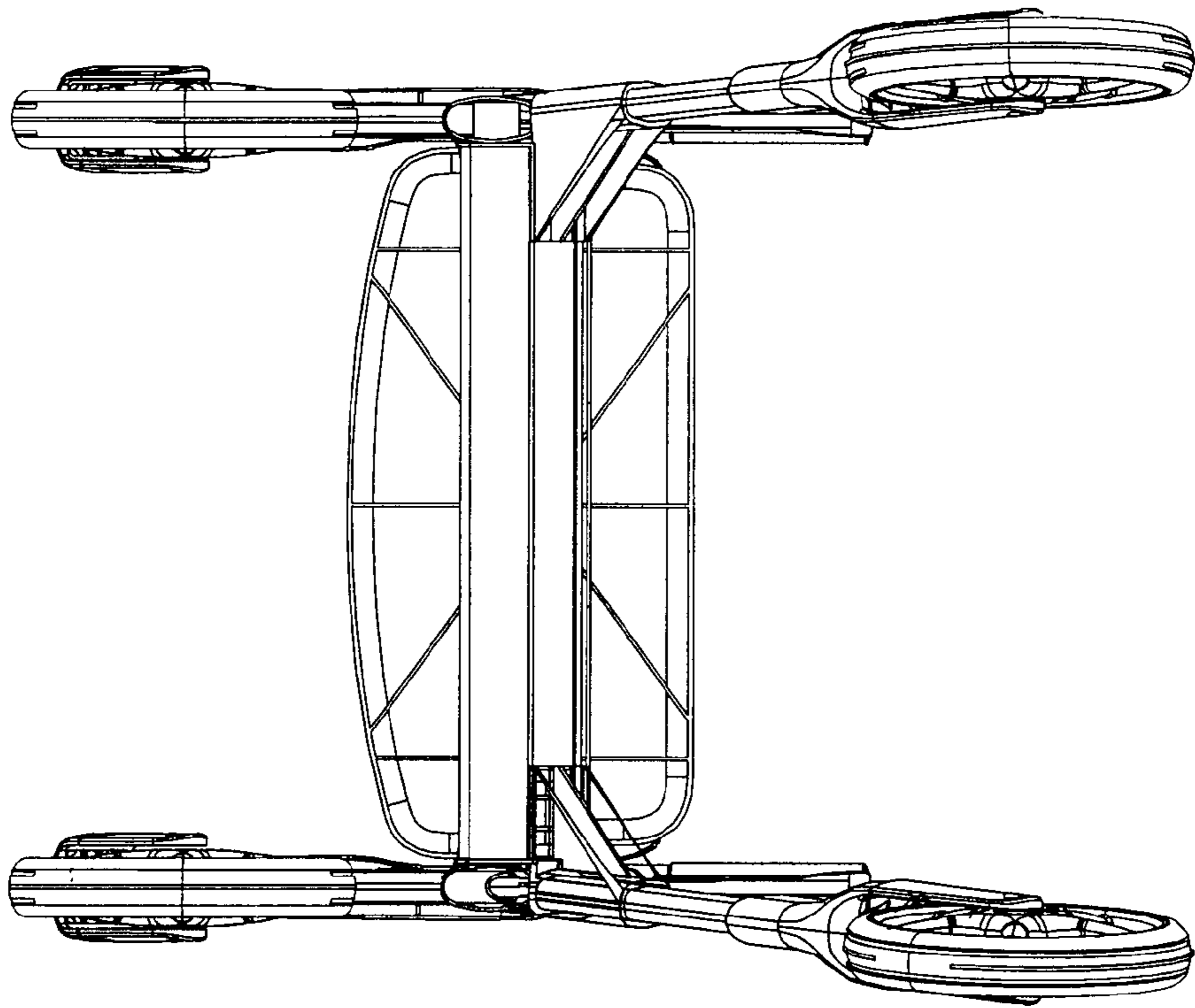


Fig. 10