

US00D519422S

(12) **United States Design Patent**  
**Huang**

(10) **Patent No.:** **US D519,422 S**

(45) **Date of Patent:** **\*\* Apr. 25, 2006**

(54) **STROLLER**

(76) Inventor: **Mien Chen Huang**, 123-2, Pitou,  
Kuanmiao, Tainan (TW)

(\*\*) Term: **14 Years**

(21) Appl. No.: **29/225,412**

(22) Filed: **Mar. 14, 2005**

(51) **LOC (8) Cl.** ..... **12-12**

(52) **U.S. Cl.** ..... **D12/129**

(58) **Field of Classification Search** ..... D12/128-133;  
280/62, 641, 642, 643, 647, 650, 657, 658  
See application file for complete search history.

(56) **References Cited**

**U.S. PATENT DOCUMENTS**

- D357,890 S \* 5/1995 Eyman et al. .... D12/129
- D409,530 S \* 5/1999 Chen et al. .... D12/129
- D426,176 S \* 6/2000 Sutherland et al. .... D12/129

D430,826 S \* 9/2000 Chen et al. .... D12/129

\* cited by examiner

*Primary Examiner*—Marcus A. Jackson

(74) *Attorney, Agent, or Firm*—Pro-Techtor Int'l Services

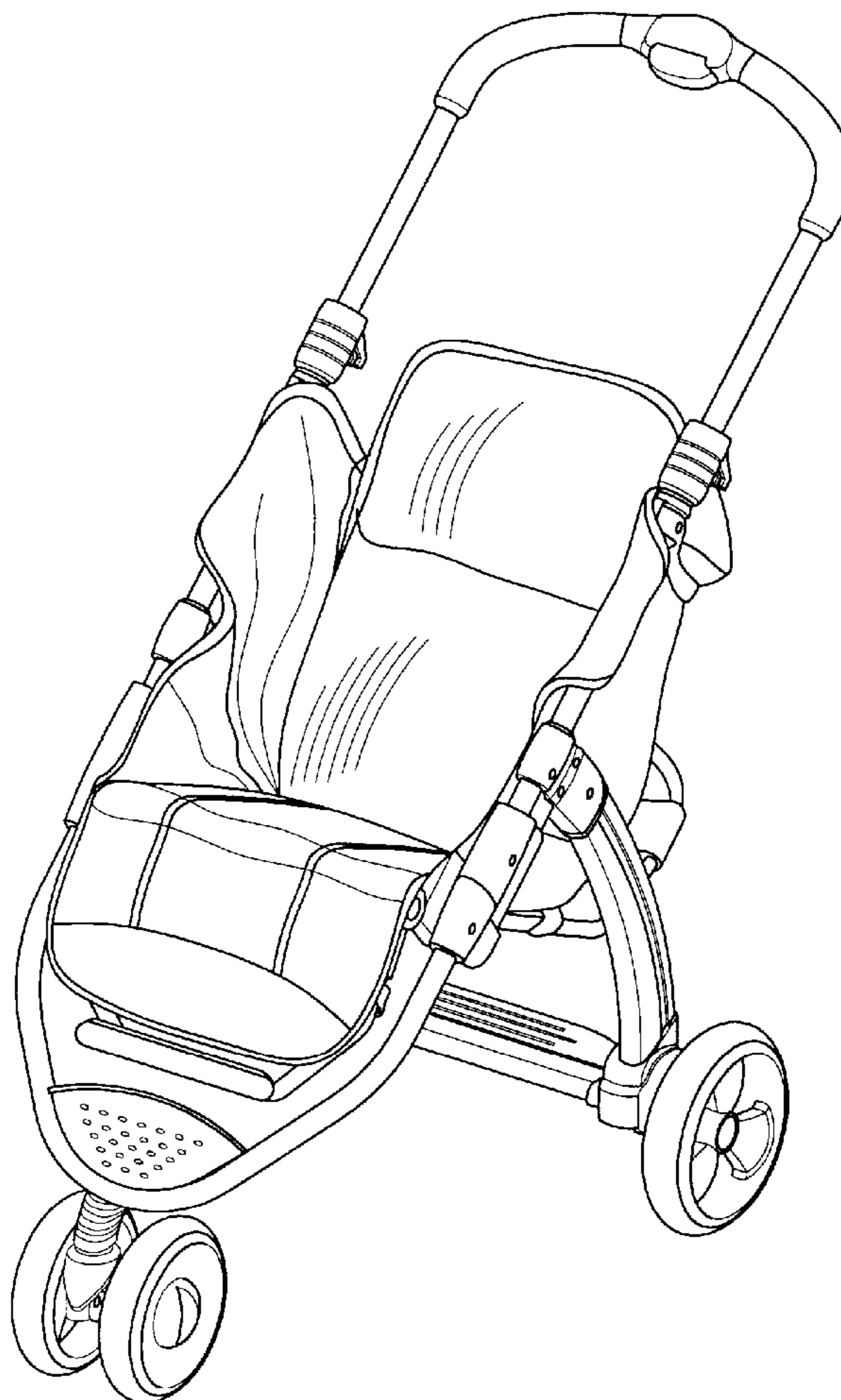
(57) **CLAIM**

The ornamental design for a stroller, as shown and described.

**DESCRIPTION**

FIG. 1 is a perspective view of a stroller showing my new design;  
FIG. 2 is a front view of the design;  
FIG. 3 is a rear view of the design;  
FIG. 4 is a left side view of the design;  
FIG. 5 is a right side view of the design;  
FIG. 6 is a top view of the design; and,  
FIG. 7 is a bottom view of the design.

**1 Claim, 5 Drawing Sheets**



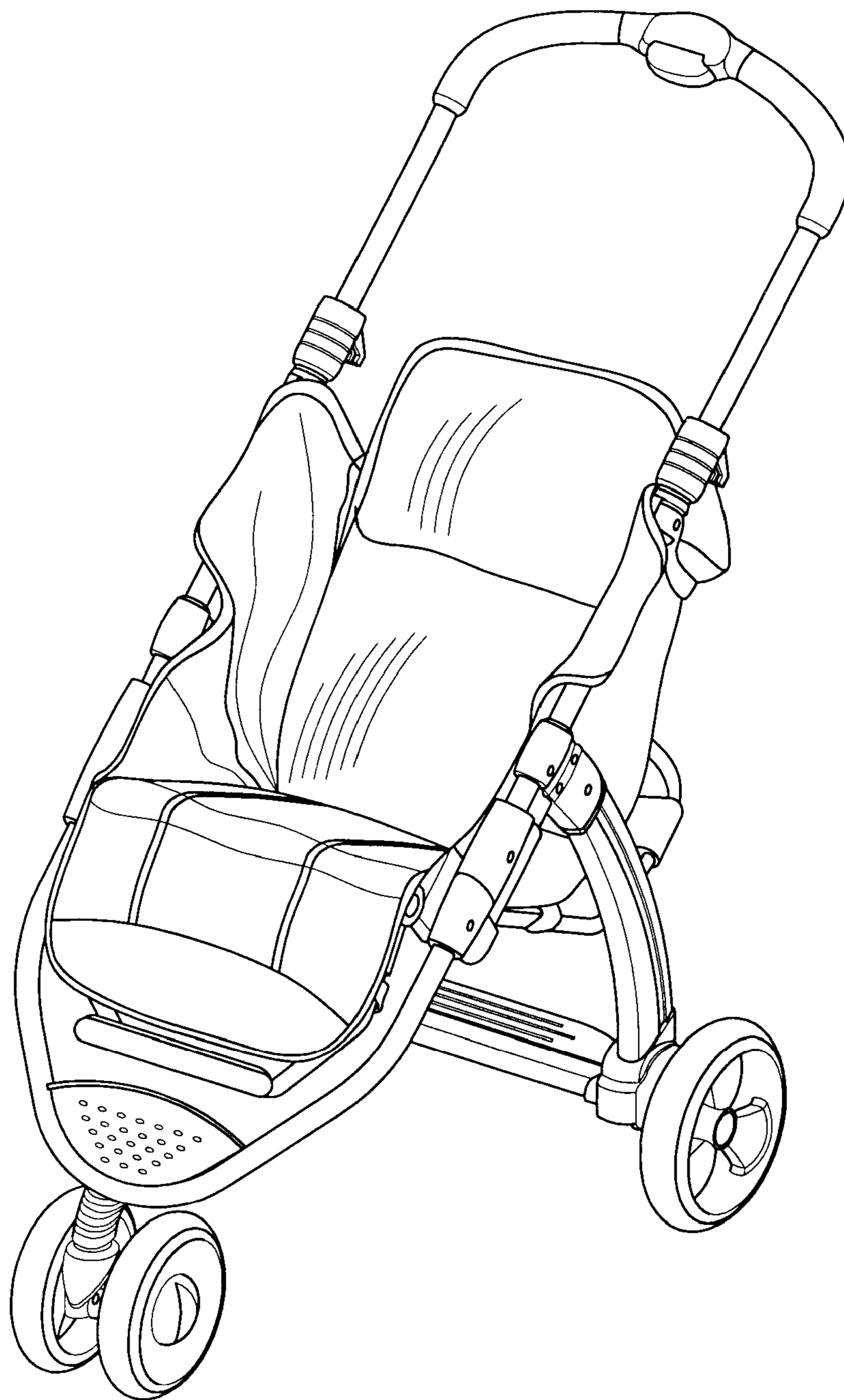


FIG. 1

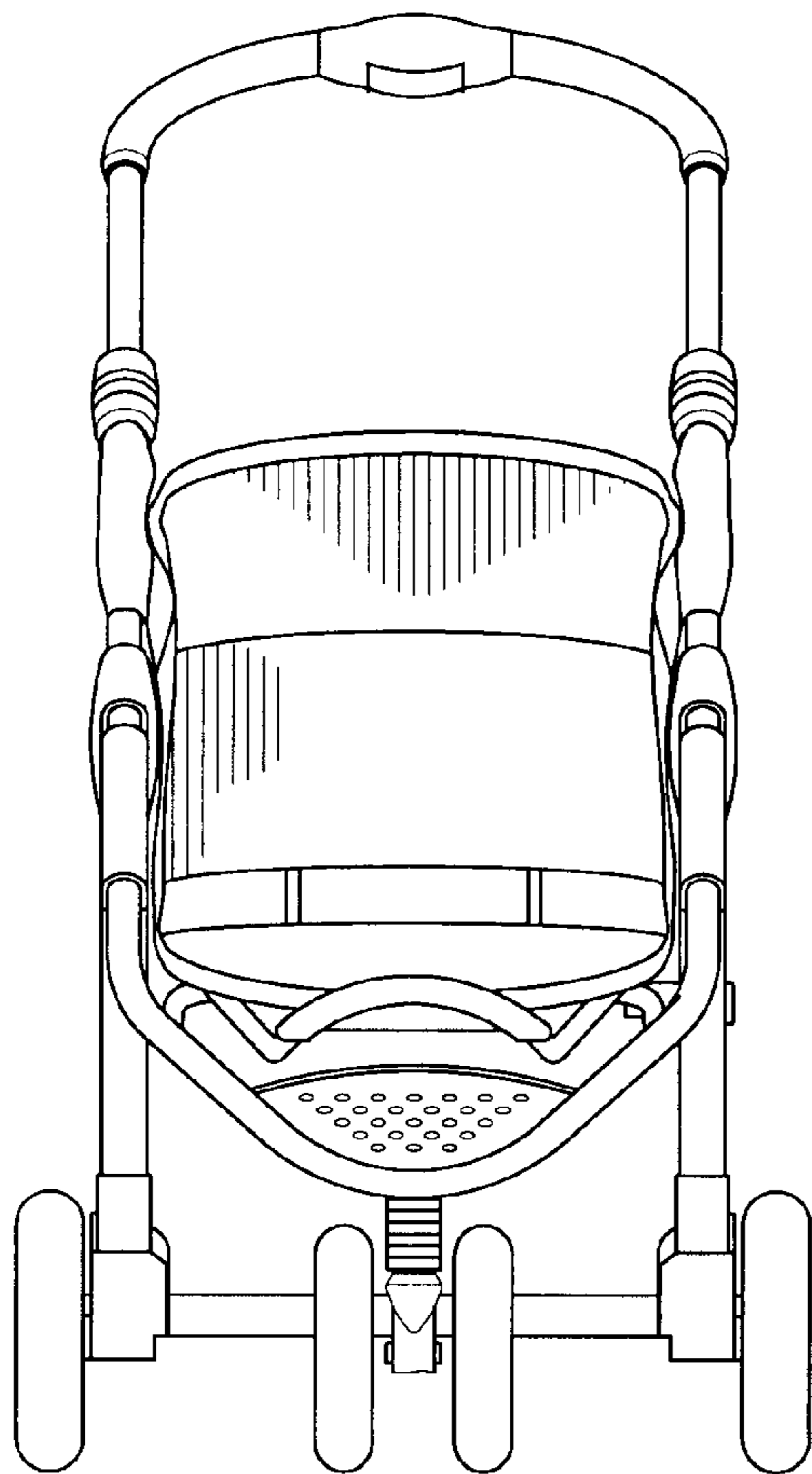


FIG. 2

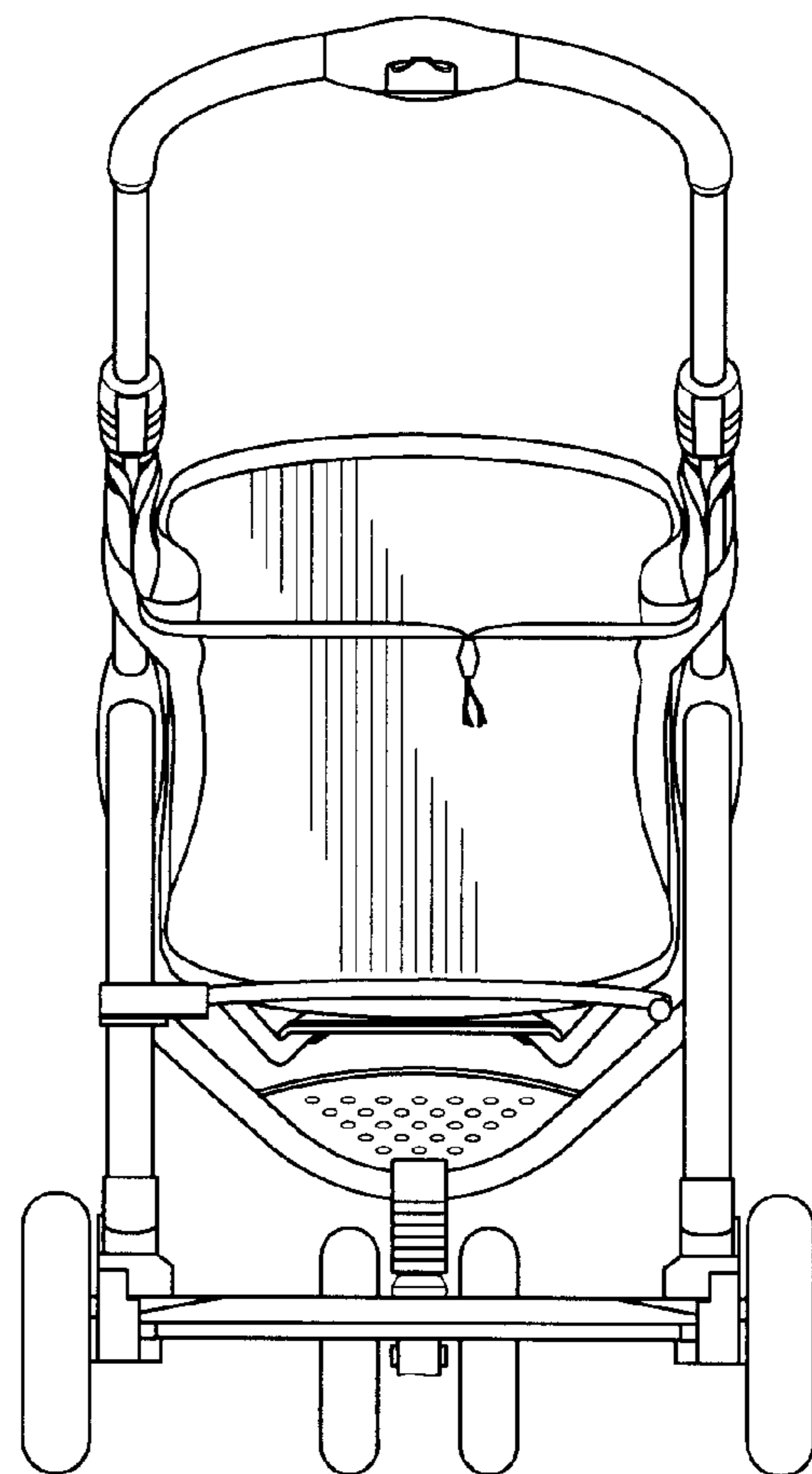


FIG. 3

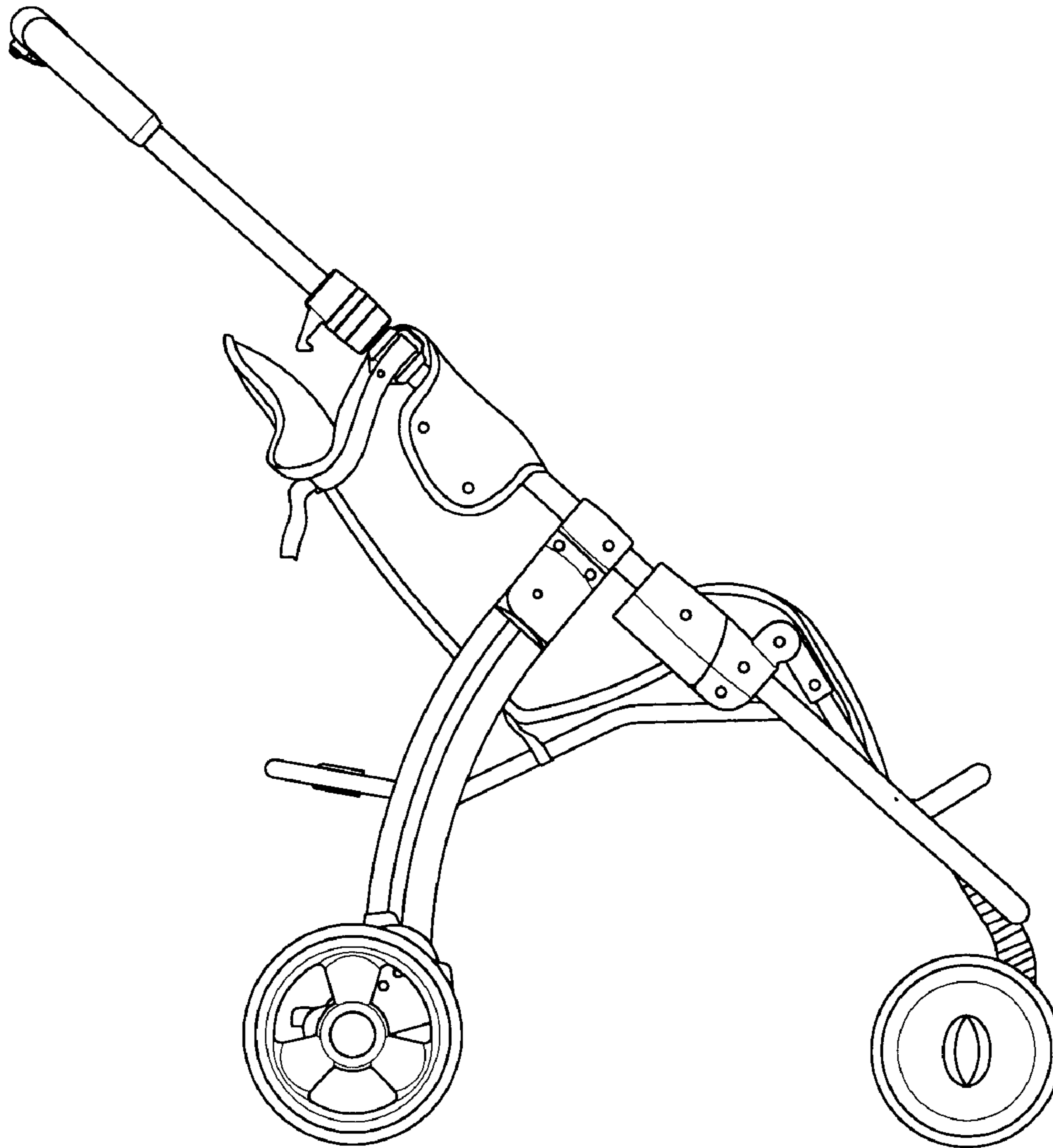


FIG. 4

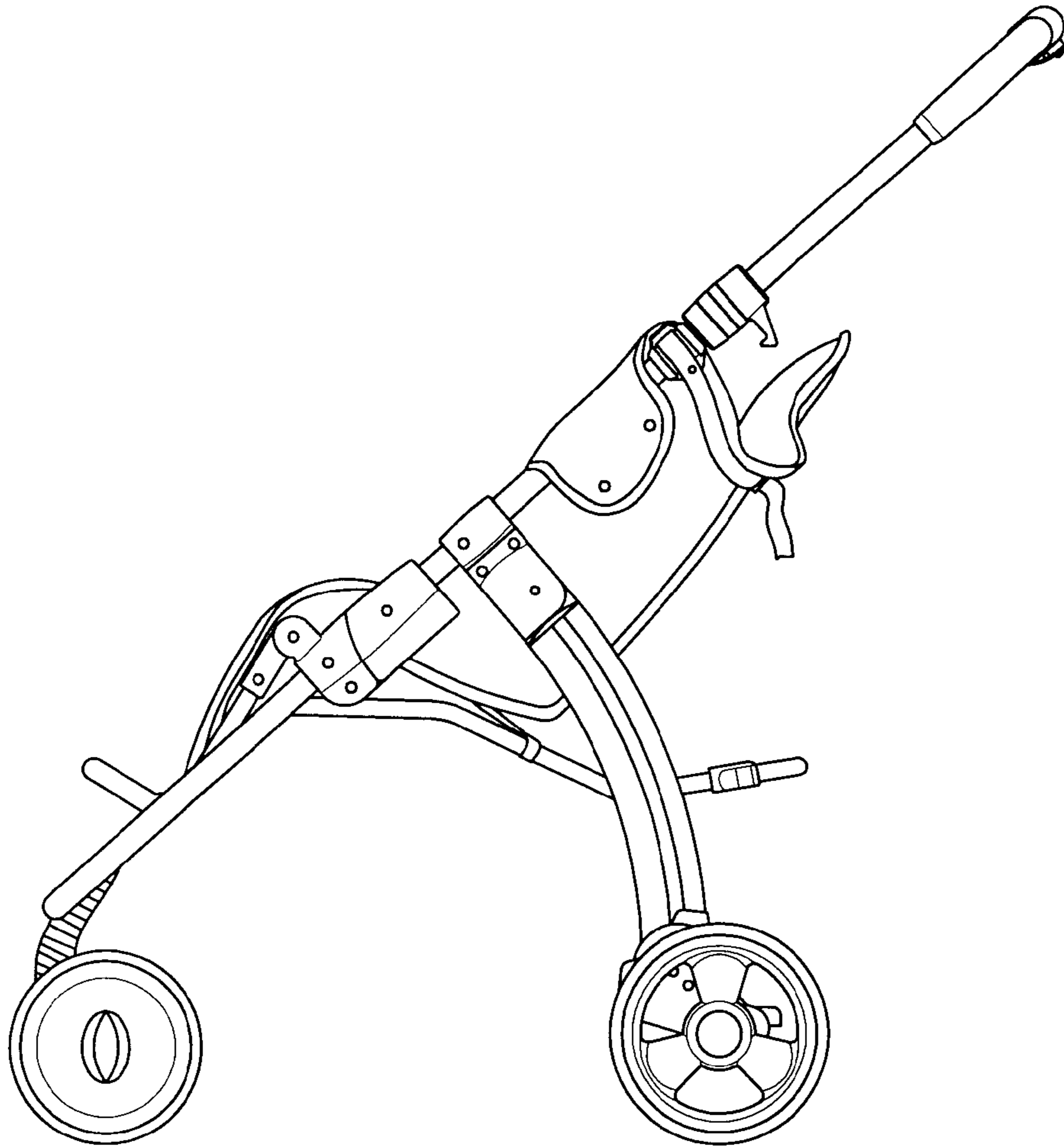


FIG. 5

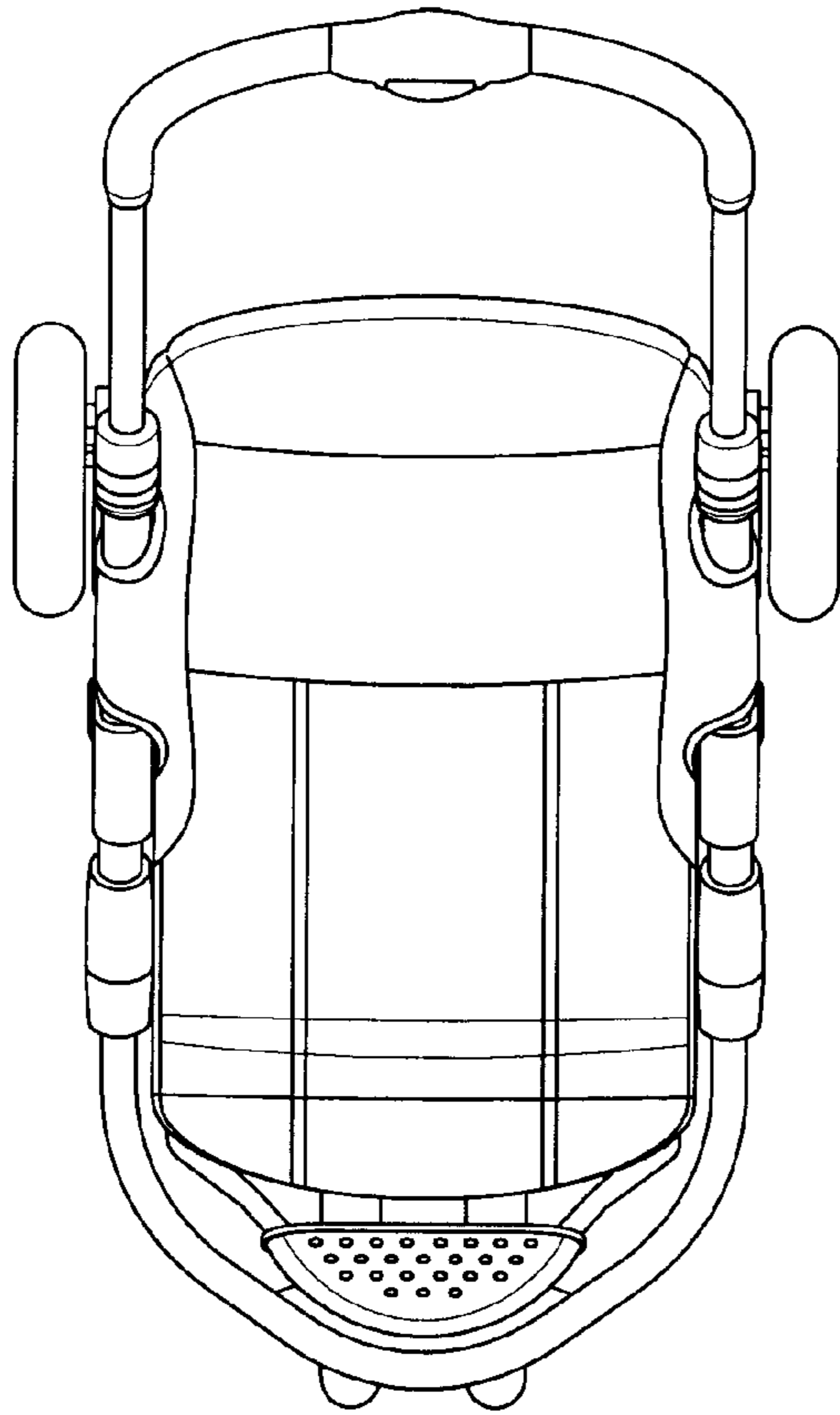


FIG. 6

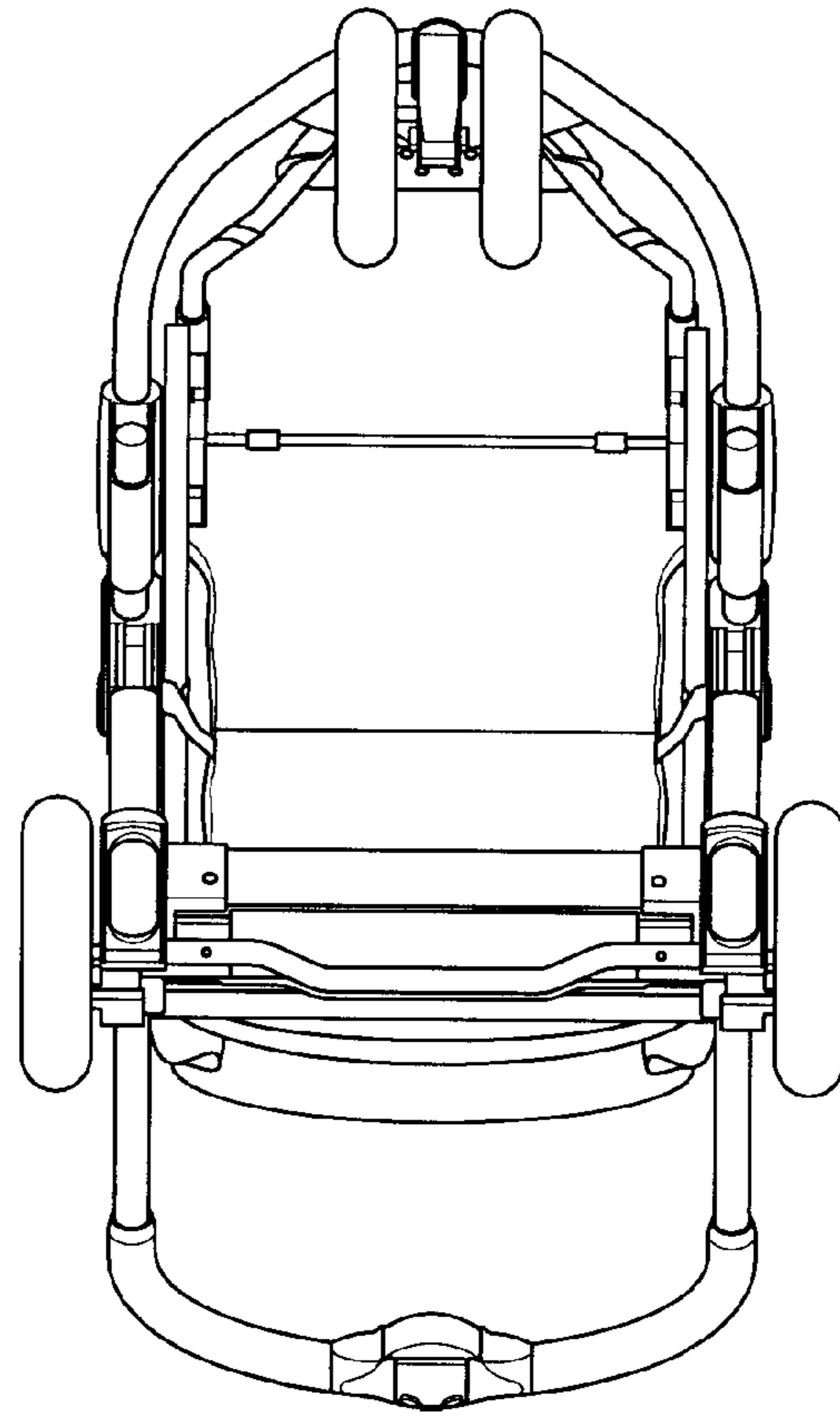


FIG. 7