



US00D519416S

(12) **United States Design Patent**
Wu

(10) **Patent No.:** **US D519,416 S**

(45) **Date of Patent:** **** Apr. 25, 2006**

(54) **ELECTRIC BIKE**

D392,603 S * 3/1998 Quick D12/111

(76) Inventor: **Yao-Ming Wu**, No. 146, Lane 439, Sec. 4, Jhangshuei Rd., Sihu Township, Changhua County 514 (TW)

* cited by examiner

Primary Examiner—Alan P. Douglas

Assistant Examiner—Linda Brooks

(74) *Attorney, Agent, or Firm*—Troxell Law Office, PLLC

(**) Term: **14 Years**

(21) Appl. No.: **29/225,951**

(22) Filed: **Mar. 23, 2005**

(51) **LOC (8) Cl.** **12-11**

(52) **U.S. Cl.** **D12/111**

(58) **Field of Classification Search** D12/110, D12/111; 180/219, 220; 280/274–278, 288.1–288.3, 280/281.1, 283–288, 827, 828; D21/432, D21/538; 446/440

See application file for complete search history.

(56) **References Cited**

U.S. PATENT DOCUMENTS

D350,087 S * 8/1994 Sanborn D12/111

(57) **CLAIM**

The ornamental design for an electric bike, as shown and described.

DESCRIPTION

FIG. 1 is a front elevation view thereof.

FIG. 2 is a rear elevation view thereof.

FIG. 3 is a left side view thereof.

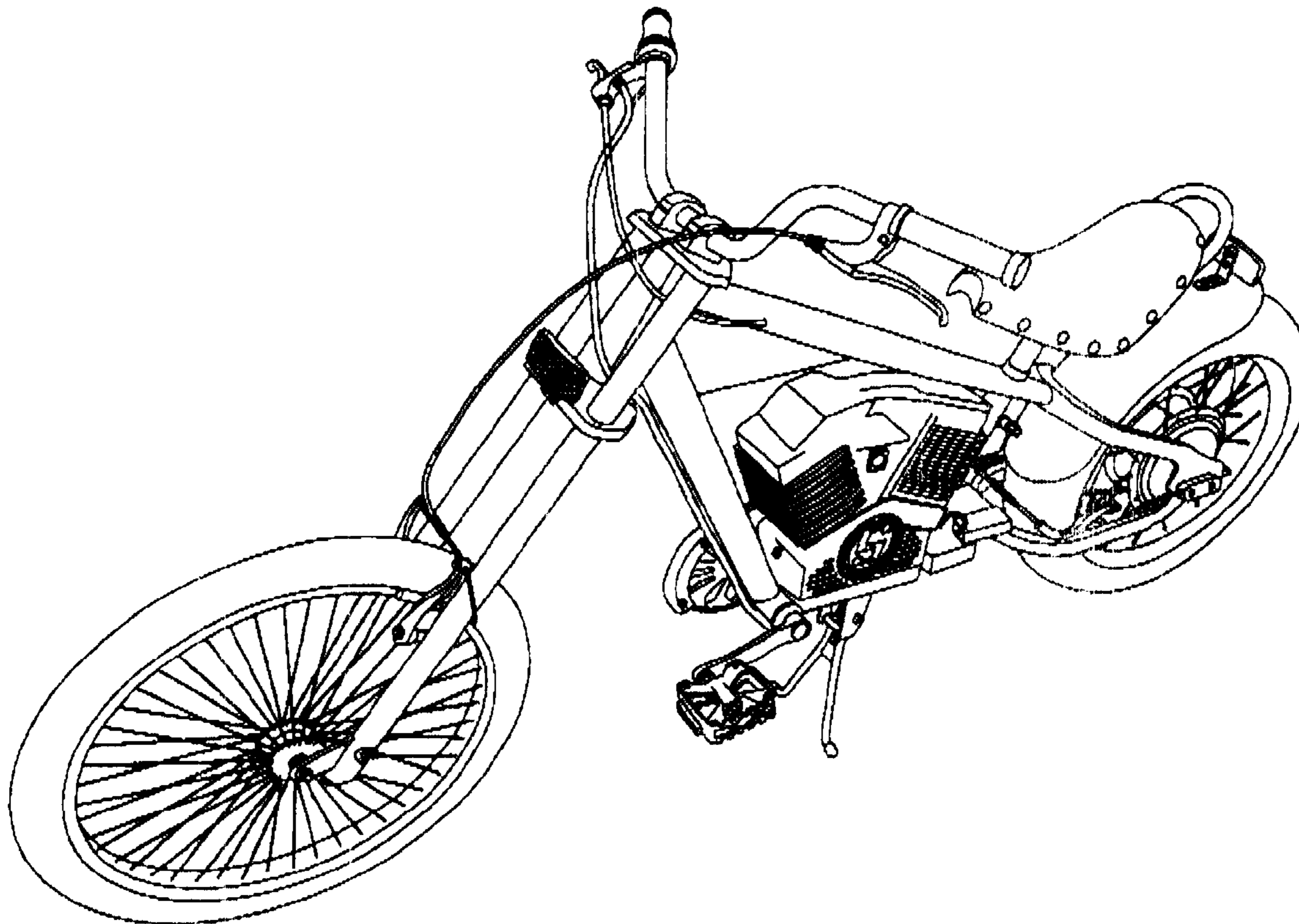
FIG. 4 is a right side view thereof.

FIG. 5 is a top plan view thereof.

FIG. 6 is a bottom plan view thereof; and,

FIG. 7 is a perspective view of an electric bike showing my new design.

1 Claim, 4 Drawing Sheets



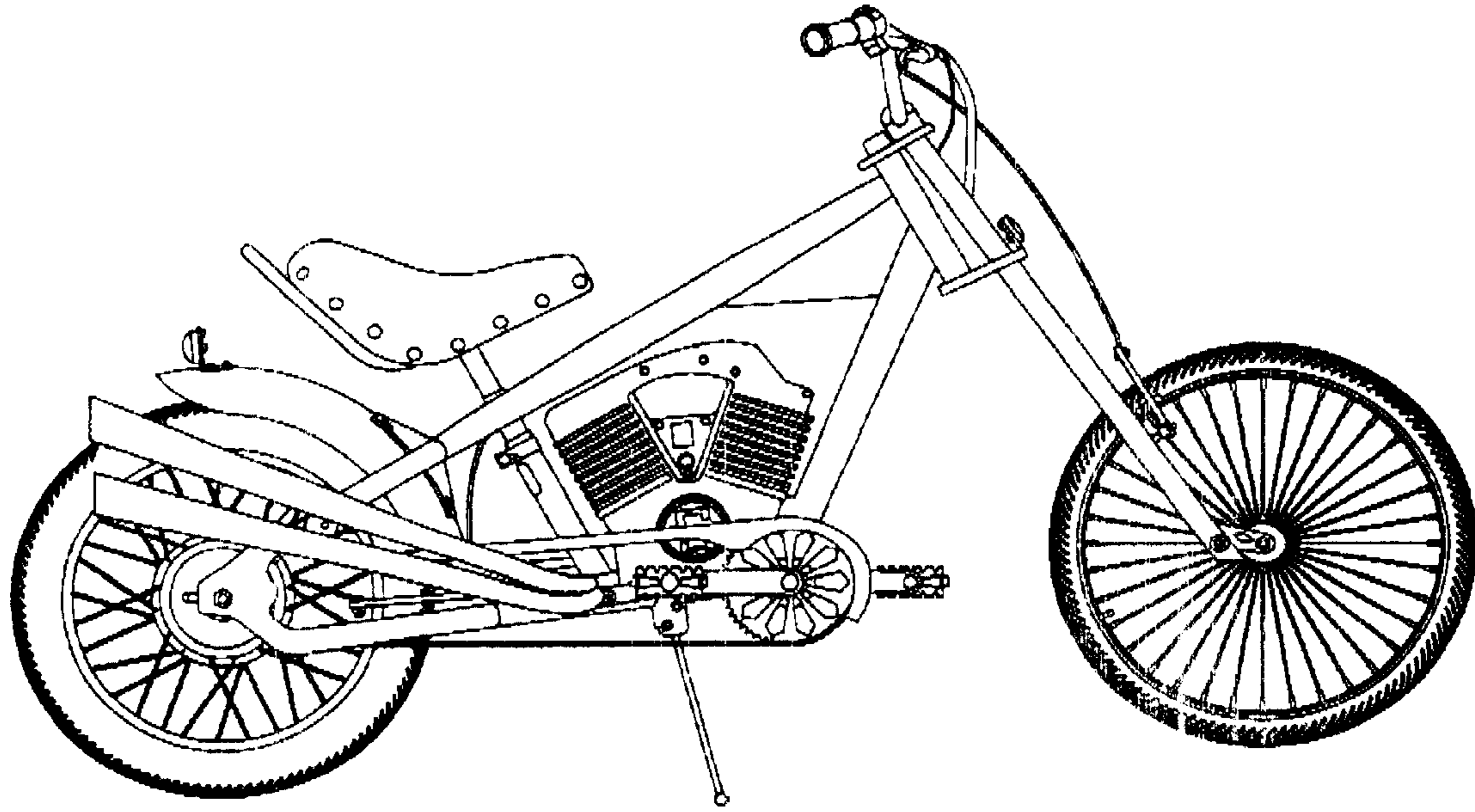


Fig. 1

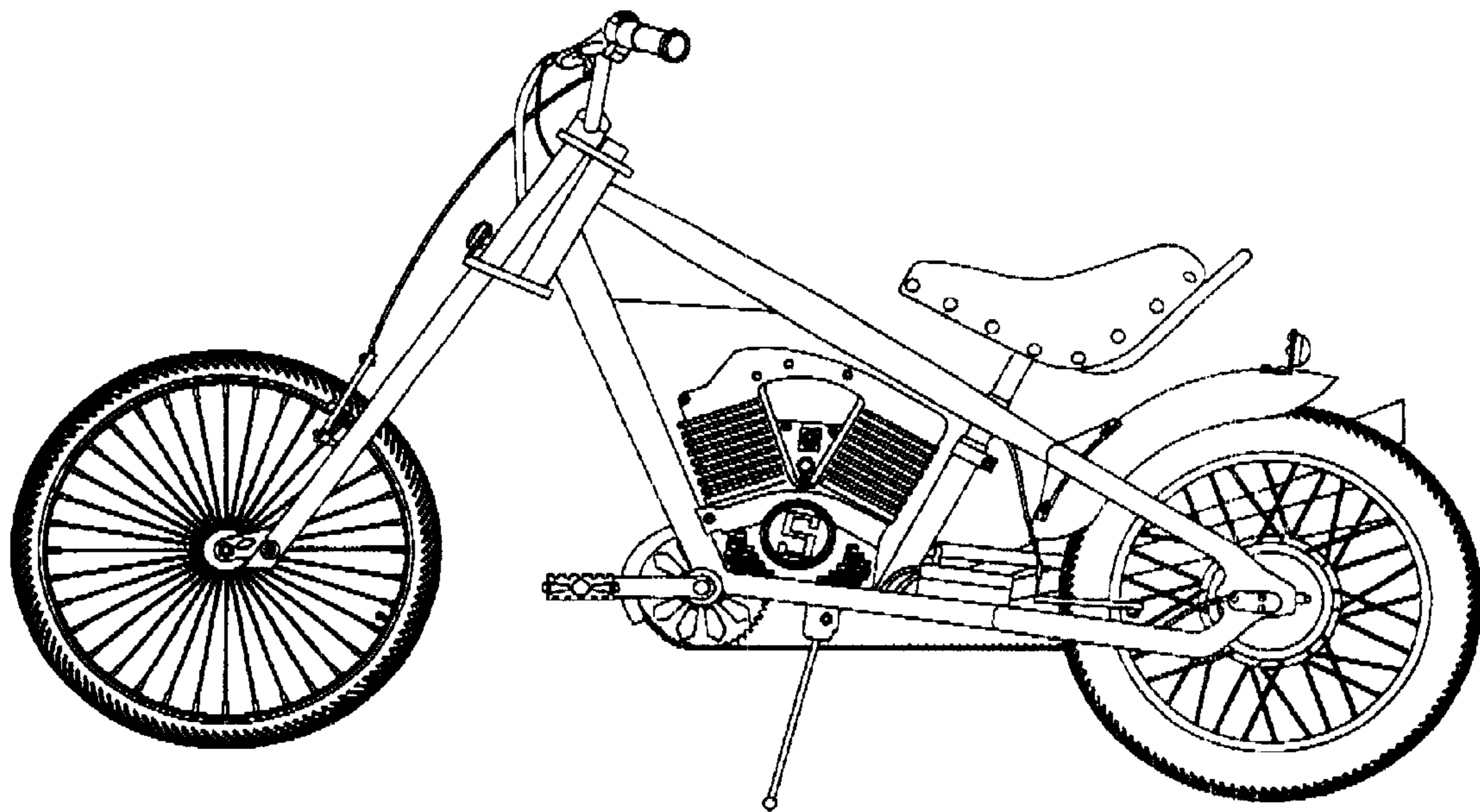


Fig. 2

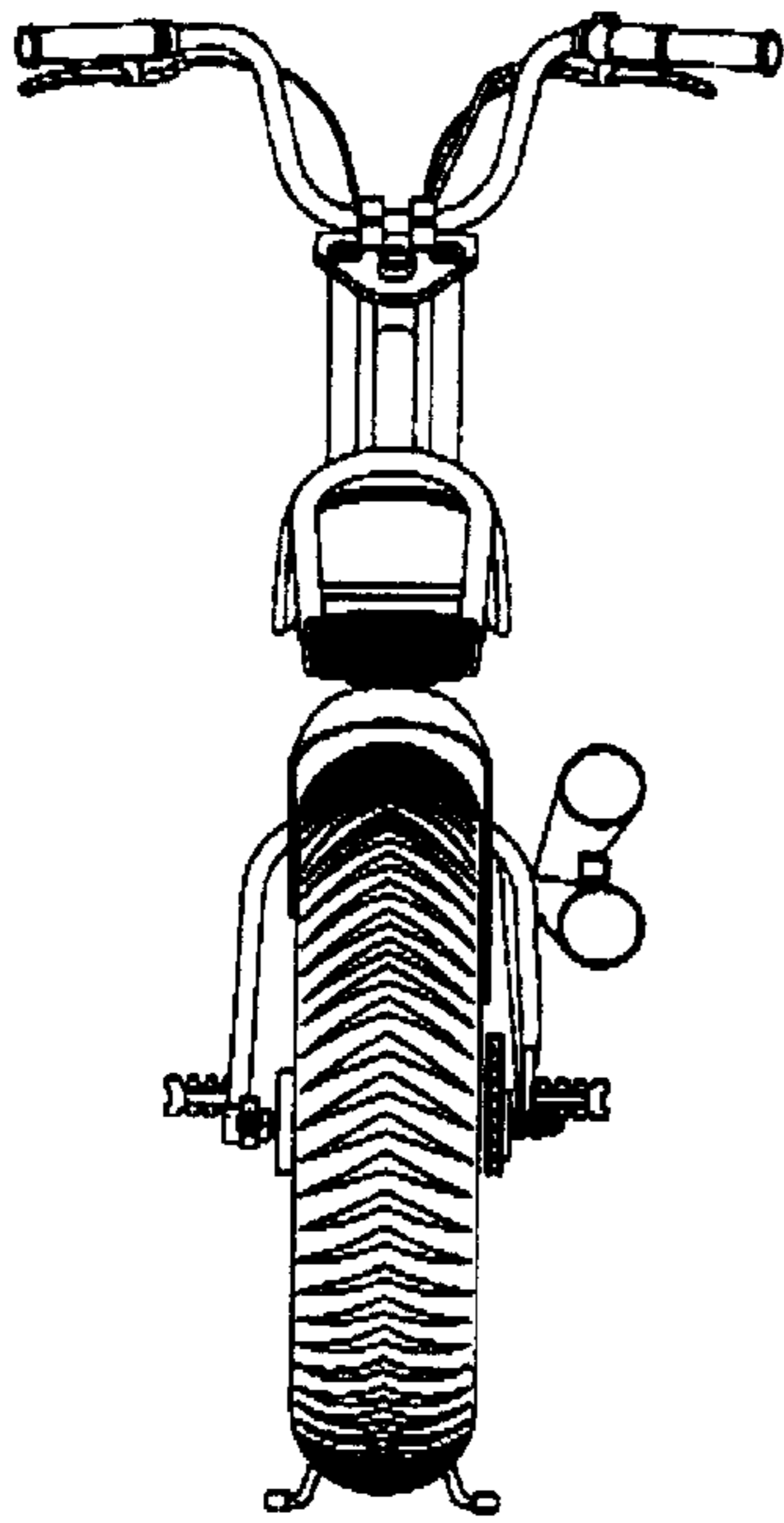


Fig. 3

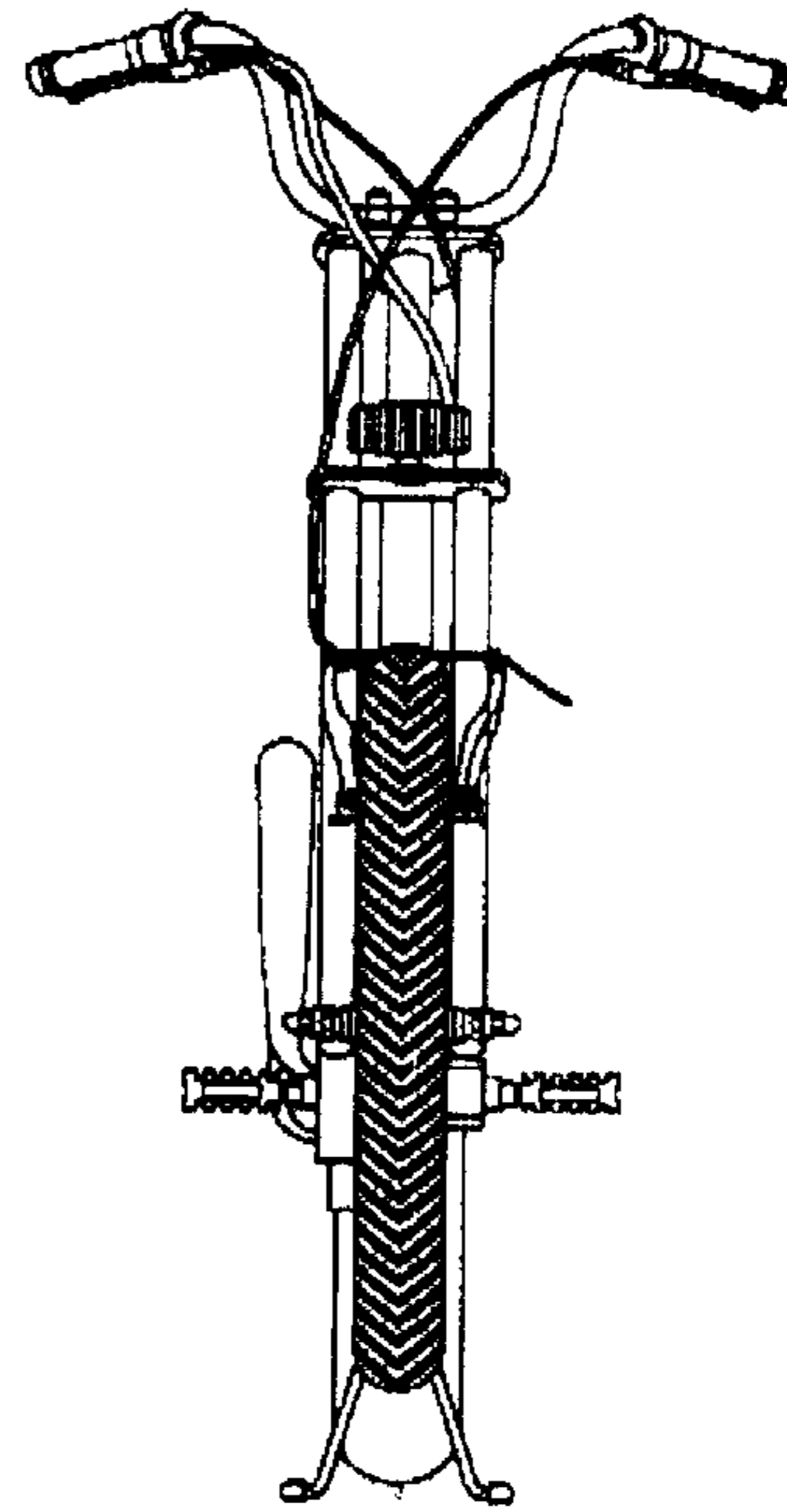


Fig. 4

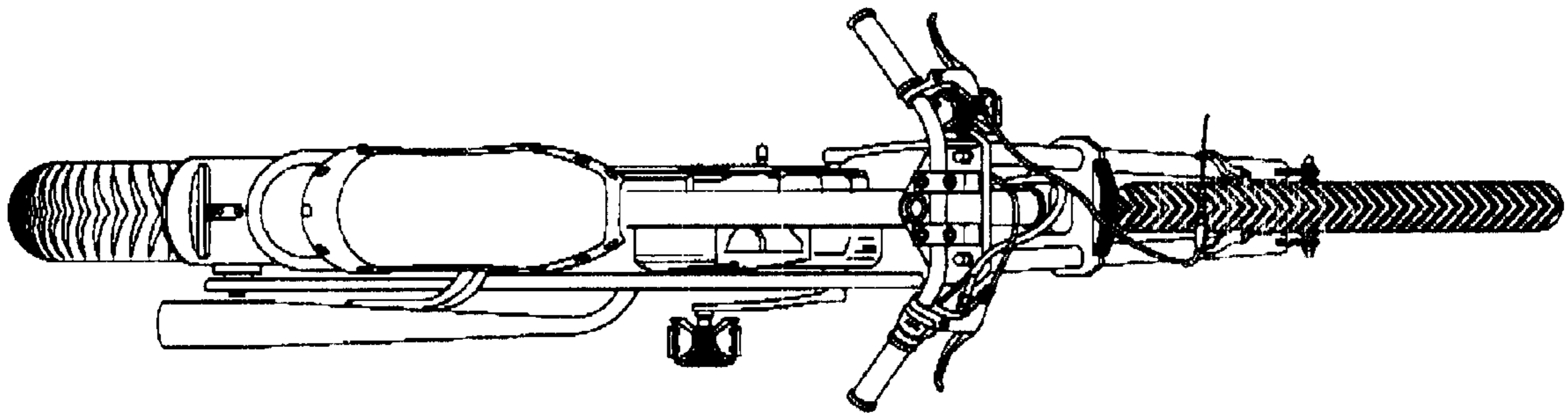


Fig. 5

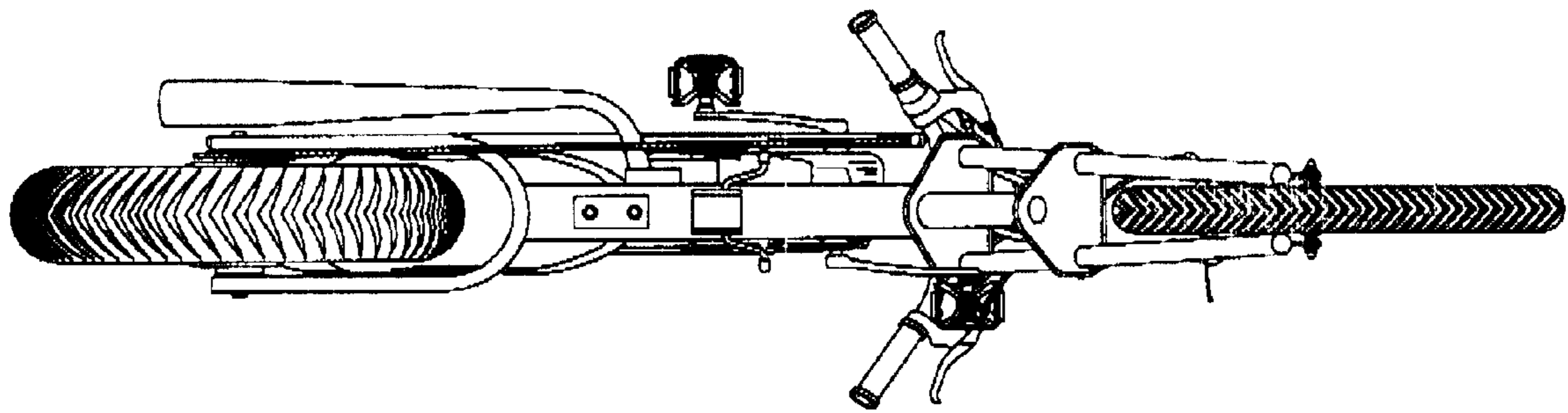


Fig. 6

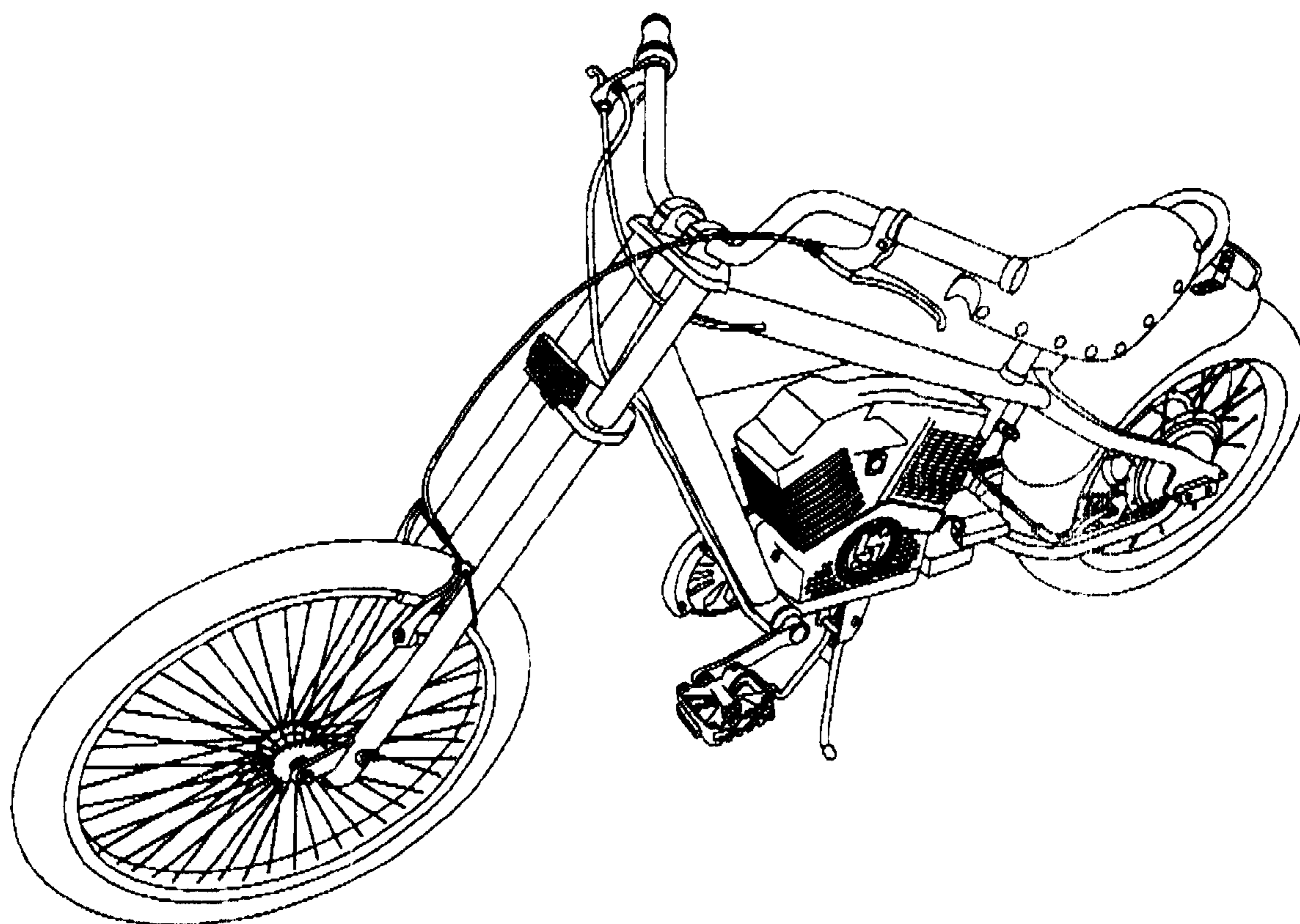


Fig. 7