



US00D519413S

(12) **United States Design Patent**
Wilcox

(10) **Patent No.:** **US D519,413 S**

(45) **Date of Patent:** **** Apr. 25, 2006**

(54) **TOBOGGAN**

(76) Inventor: **Gerald B. Wilcox**, 7835 El Verano Ave., Elverta, CA (US) 95626

(**) Term: **14 Years**

(21) Appl. No.: **29/227,365**

(22) Filed: **Apr. 11, 2005**

(51) **LOC (8) Cl.** **12-14**

(52) **U.S. Cl.** **D12/11**

(58) **Field of Classification Search** D12/6,
D12/9-11; D21/760, 766-770; 280/15-21.1,
280/14.1, 24, 22; 441/129-132
See application file for complete search history.

(56) **References Cited**

U.S. PATENT DOCUMENTS

D139,386 S	*	11/1944	Worden	D12/11
D191,832 S	*	11/1961	Greenberg	D12/11
D216,530 S	*	2/1970	Ziff	D12/11
D219,463 S	*	12/1970	Diemond	D12/11
D220,979 S	*	6/1971	Belik	D12/11
D226,937 S	*	5/1973	Heniges	D12/11
D235,982 S	*	7/1975	Thompson, Jr.	D12/11
D255,820 S	*	7/1980	Borden et al.	D21/767
D296,311 S	*	6/1988	Dunmon, Jr.	D12/11
6,017,043 A	*	1/2000	Bennett et al.	280/18

D475,947 S	*	6/2003	Eckert	D12/11
6,588,774 B1	*	7/2003	Sawatzky	280/24

* cited by examiner

Primary Examiner—Stacia Cadmus

(74) *Attorney, Agent, or Firm*—Catherine Ashley Straight

(57) **CLAIM**

The ornamental design for a toboggan, as shown and described.

DESCRIPTION

FIG. 1 is a front perspective view of a toboggan showing my new design;

FIG. 2 is a top plan view, thereof;

FIG. 3 is a right side elevational view, thereof, the left side elevational view thereof being a mirror image;

FIG. 4 is a front elevational view, thereof;

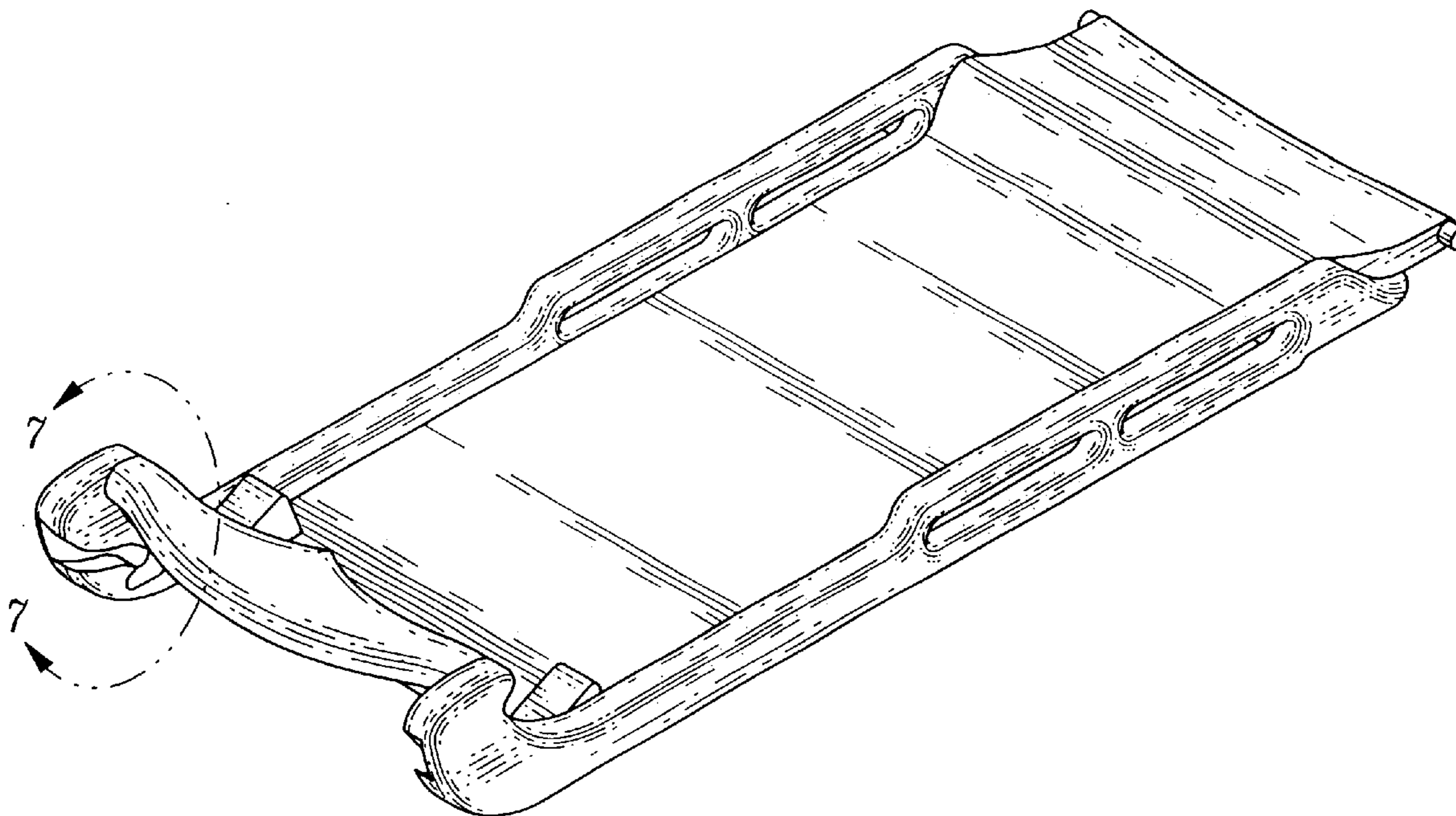
FIG. 5 is a rear elevational view, thereof;

FIG. 6 is a bottom plan view, thereof;

FIG. 7 is a detail inset view, taken to an enlarged scale, showing the portion of the article circumscribed by the arc 7-7, show in FIG. 1; and,

FIG. 8 is a reduced front perspective view, thereof, connected fore and aft with additional toboggans, shown in broken lines, said toboggans included for illustrative purposes only forming no part of the claimed design.

1 Claim, 2 Drawing Sheets



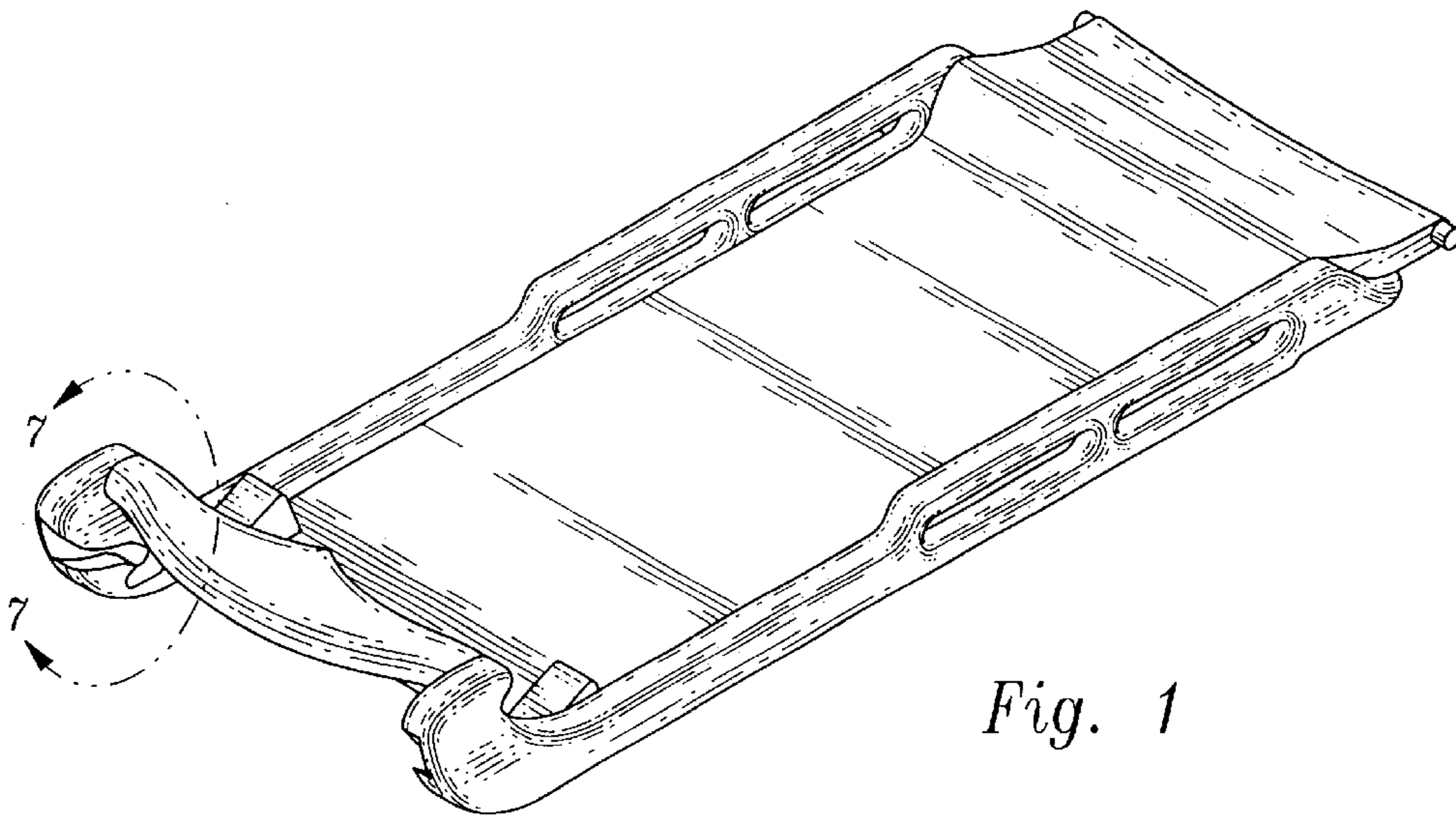


Fig. 1

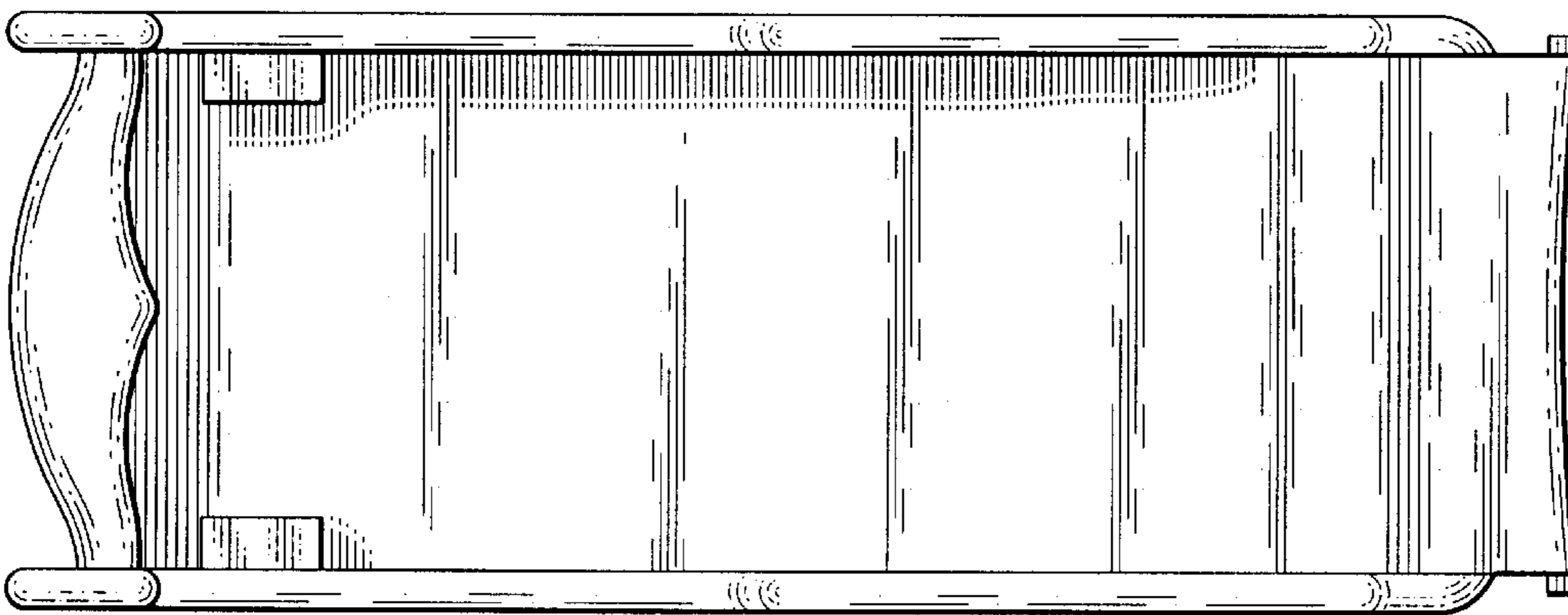


Fig. 2

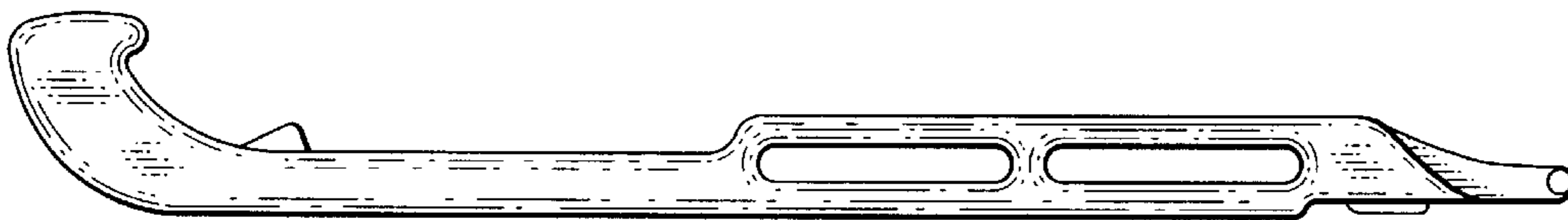


Fig. 3

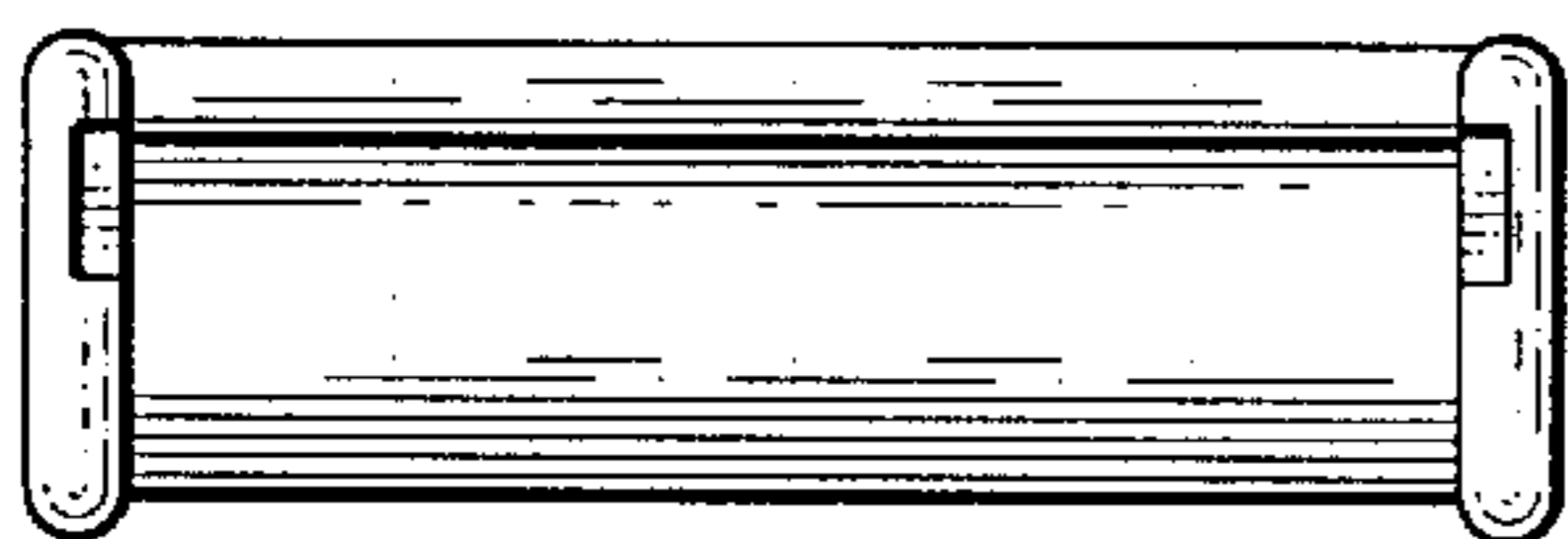


Fig. 4

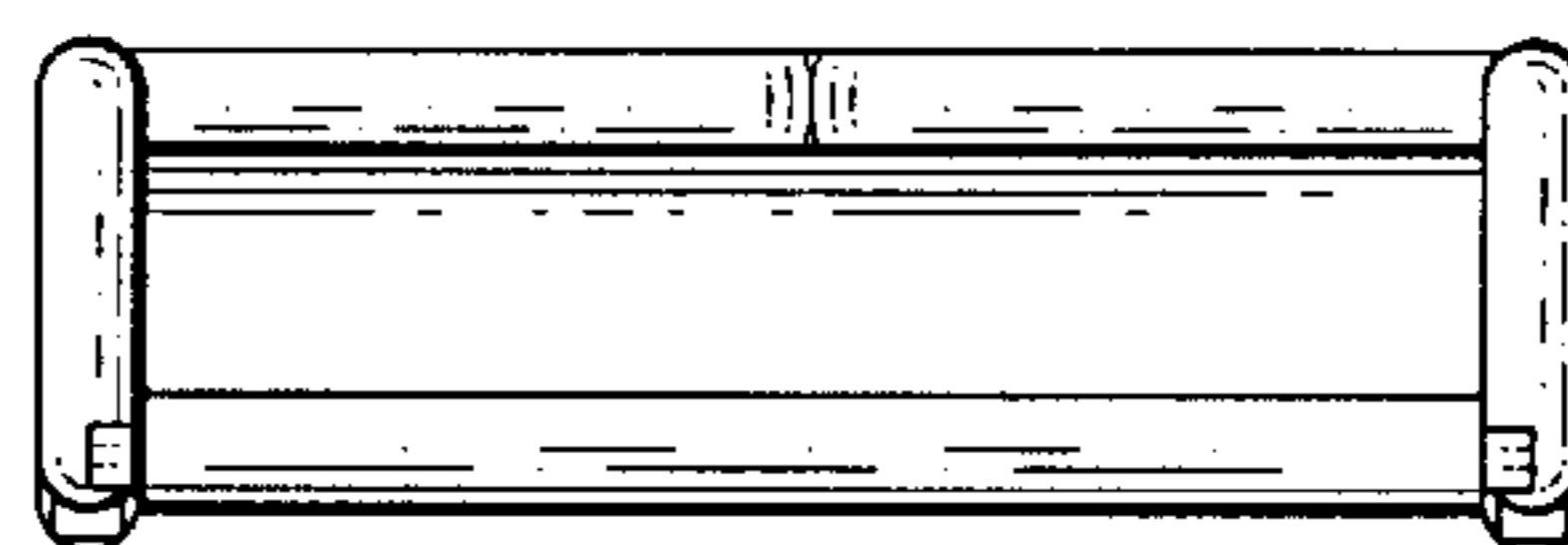


Fig. 5

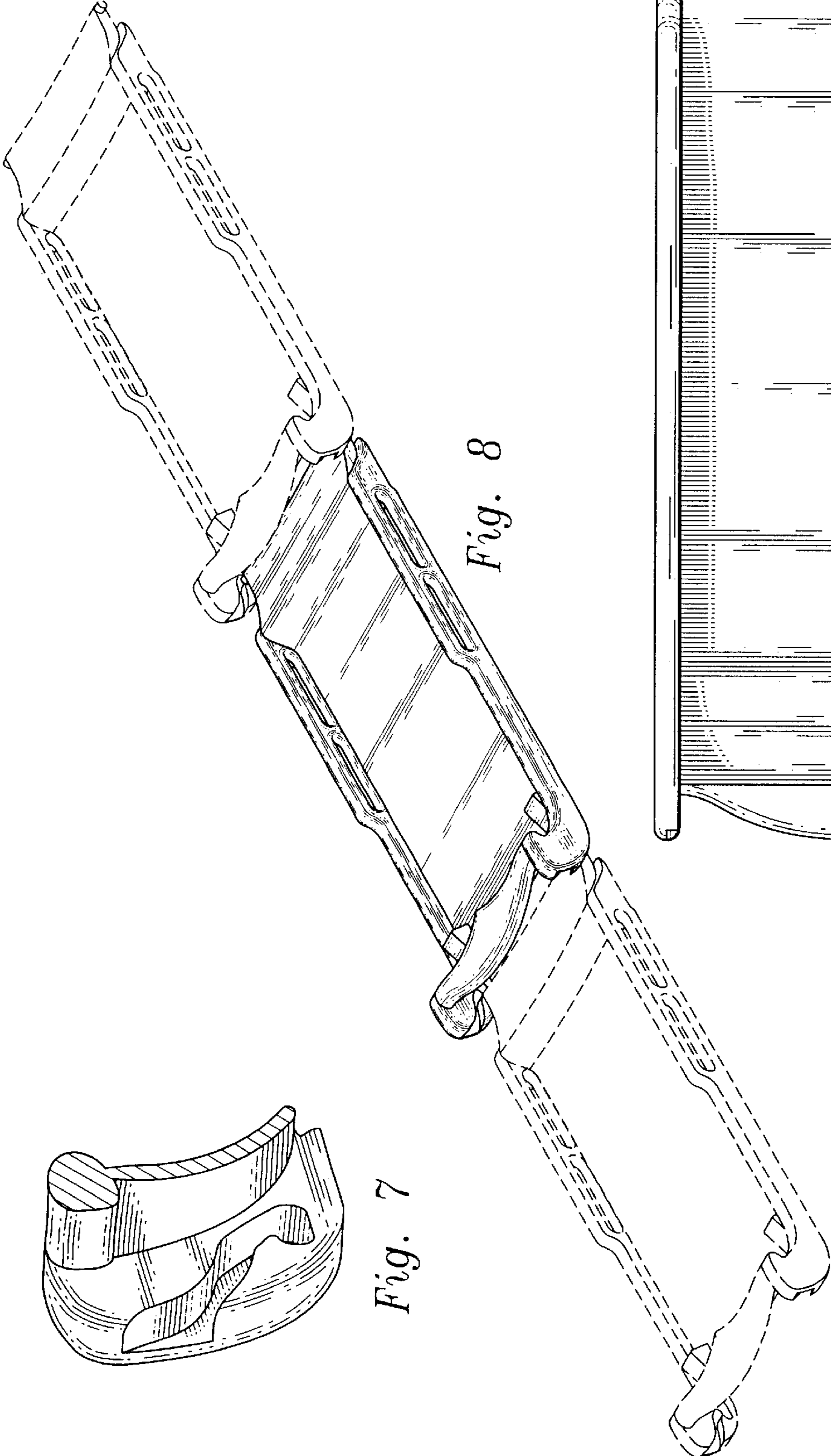


Fig. 7

Fig. 8

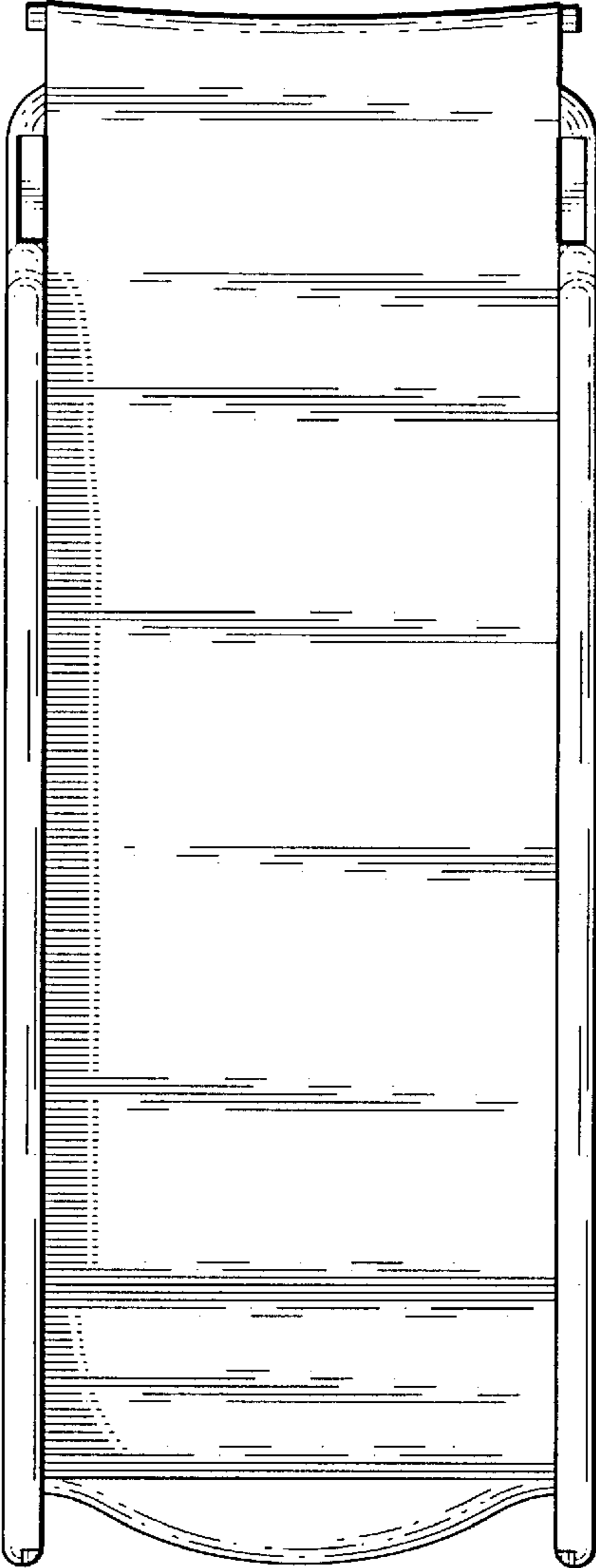


Fig. 6