



US00D519412S

(12) **United States Design Patent**
Dolce et al.

(10) **Patent No.:** **US D519,412 S**

(45) **Date of Patent:** **** Apr. 25, 2006**

(54) **BUCKLE**

(75) Inventors: **Domenico Dolce**, Milan (IT); **Stefano Gabbana**, Milan (IT)

(73) Assignee: **Dolce & Gabbana SRL**, Milan (IT)

(**) Term: **14 Years**

(21) Appl. No.: **29/228,200**

(22) Filed: **Apr. 21, 2005**

(30) **Foreign Application Priority Data**

Oct. 28, 2004 (EM) 000246830-0001

(51) **LOC (8) Cl.** **02-07**

(52) **U.S. Cl.** **D11/232**

(58) **Field of Classification Search** D11/200,
D11/201, 208-210, 212-218, 220, 230-234,
D11/237, 86-87, 94; 63/15.2, 15; 24/307,
24/625, 616, 200, 196, 171, 169, 112
See application file for complete search history.

(56) **References Cited**

U.S. PATENT DOCUMENTS

2,597,155 A * 5/1952 Marien 40/640

3,381,495 A * 5/1968 Emerson 63/33
D213,419 S * 3/1969 Aigner D11/232
D264,767 S * 6/1982 Spreter D11/230
D449,557 S * 10/2001 Smith D11/61
D452,187 S * 12/2001 Perez D11/231
D474,423 S * 5/2003 James D11/231

* cited by examiner

Primary Examiner—Ralf Seifert

(74) *Attorney, Agent, or Firm*—Stevens Davis Miller & Mosher LLP

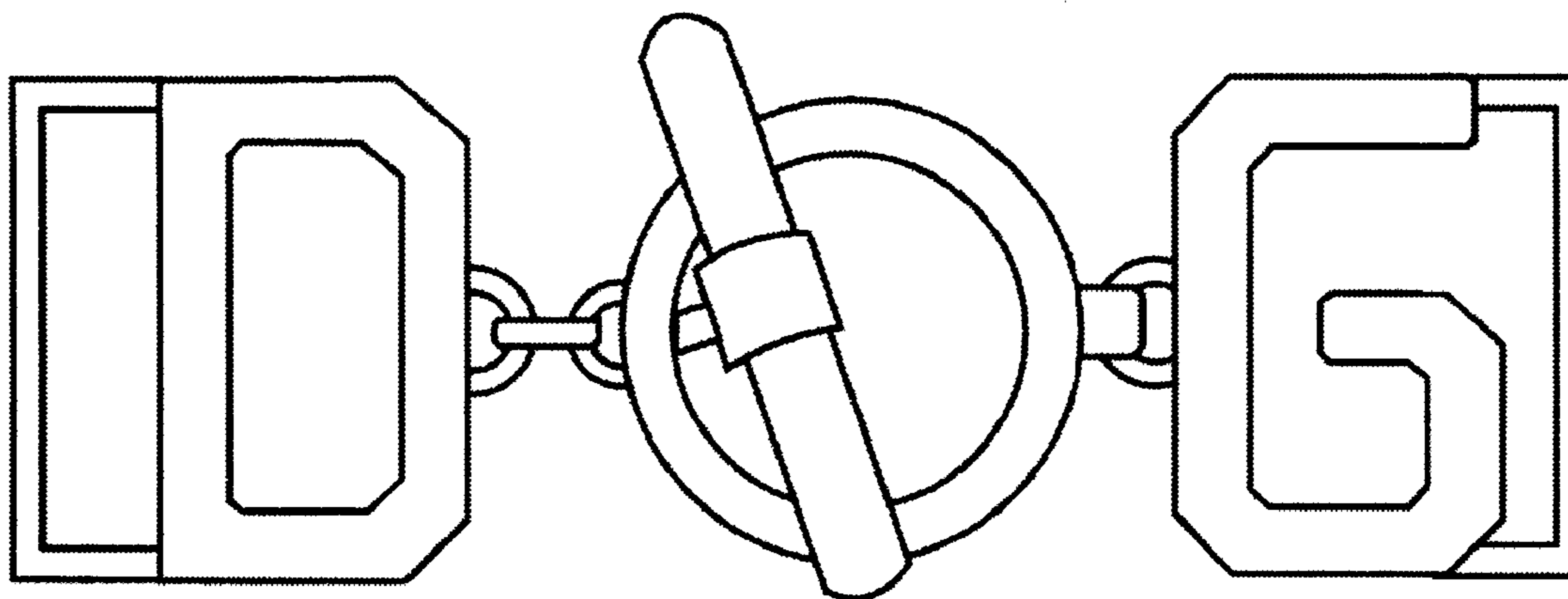
(57) **CLAIM**

The ornamental design for a buckle, as shown and described.

DESCRIPTION

FIG. 1 is a top plan view of a buckle showing the new design;
FIG. 2 is a bottom plan view thereof;
FIG. 3 is an elevational view of one side thereof;
FIG. 4 is an elevational view of the other side thereof;
FIG. 5 is an elevational view from one end thereof;
FIG. 6 is an elevational view from the other end thereof; and,
FIG. 7 is a perspective view thereof.

1 Claim, 2 Drawing Sheets



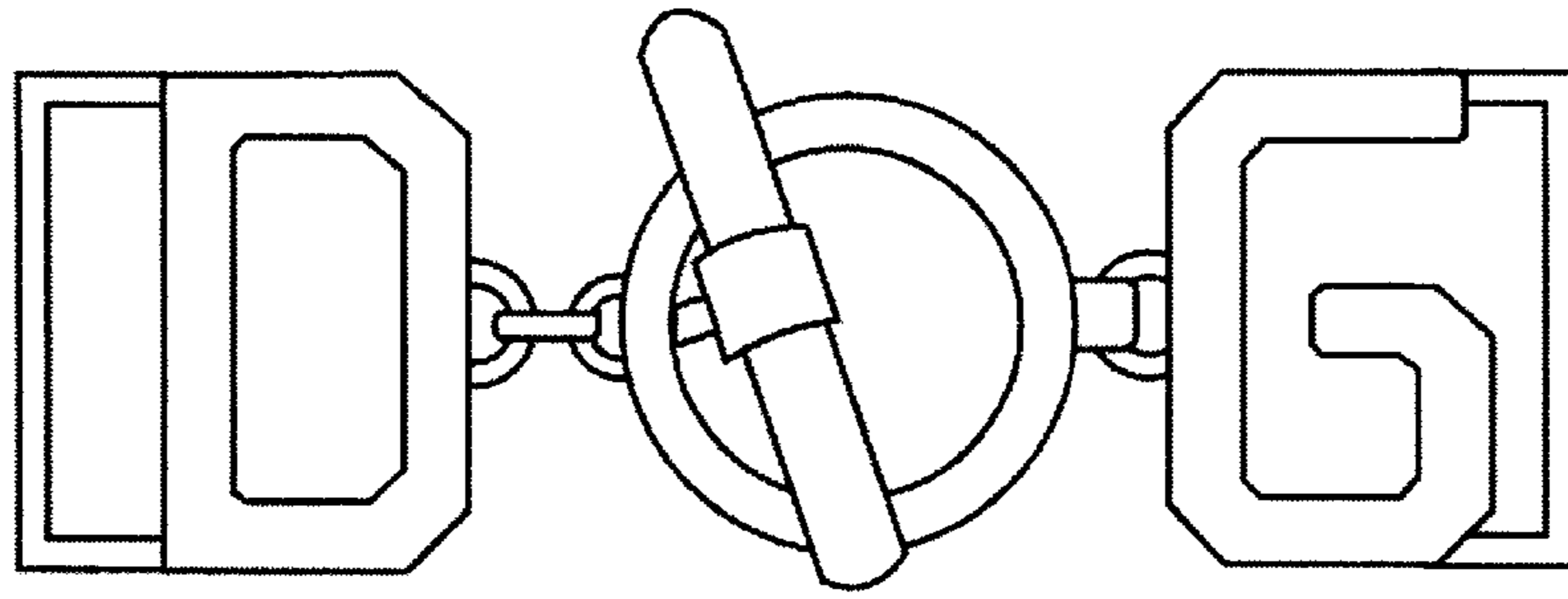


Fig. 1

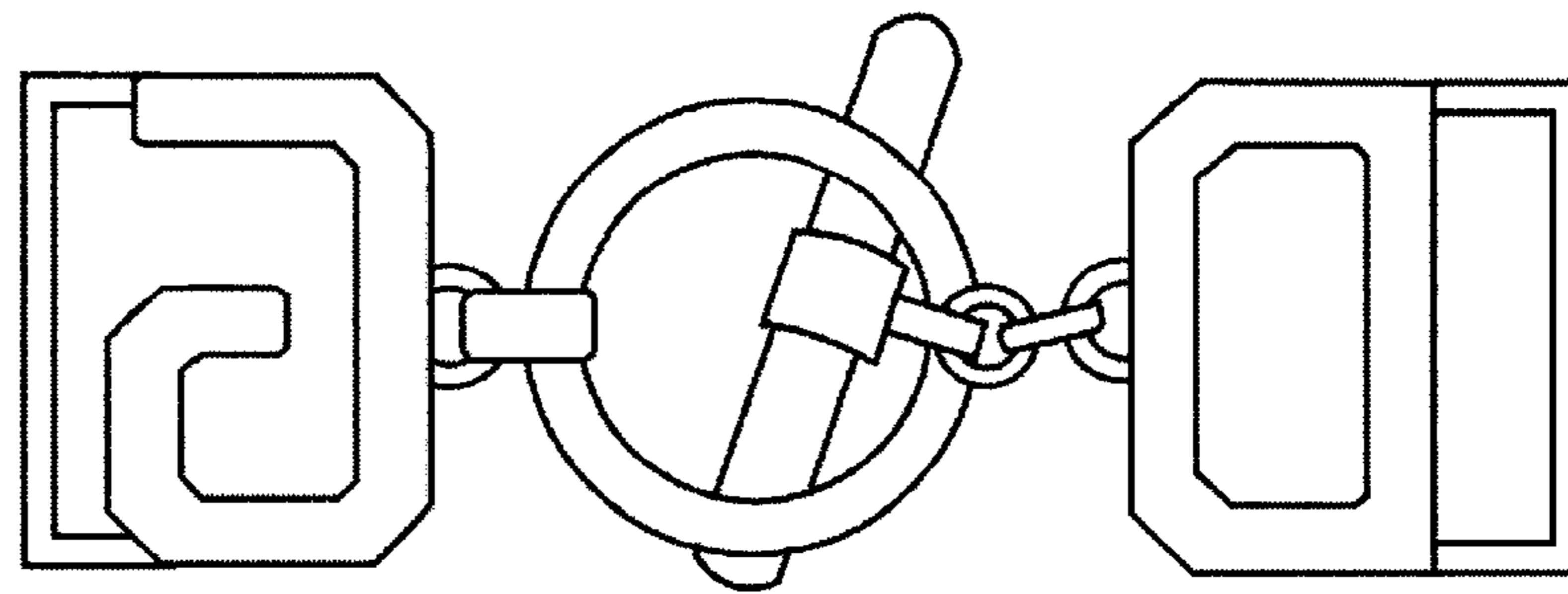


Fig. 2

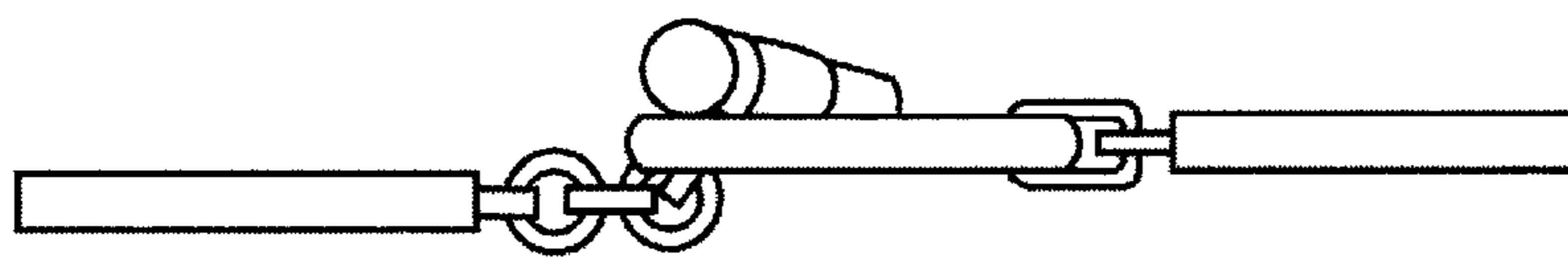


Fig. 3

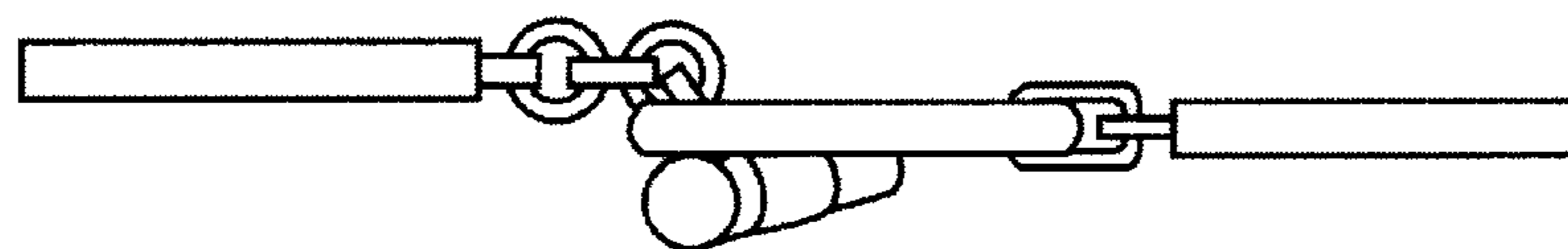


Fig. 4

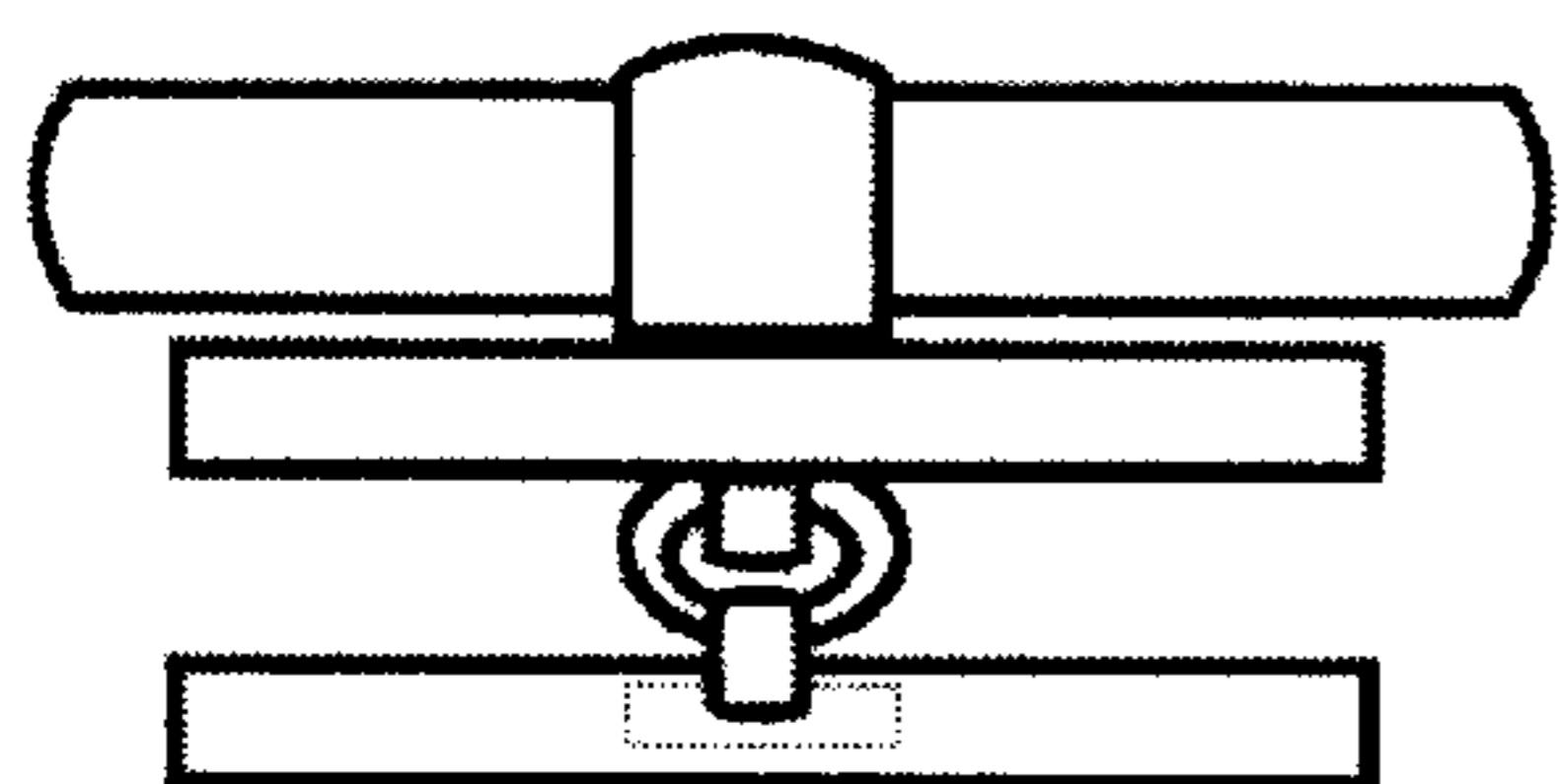


Fig. 5

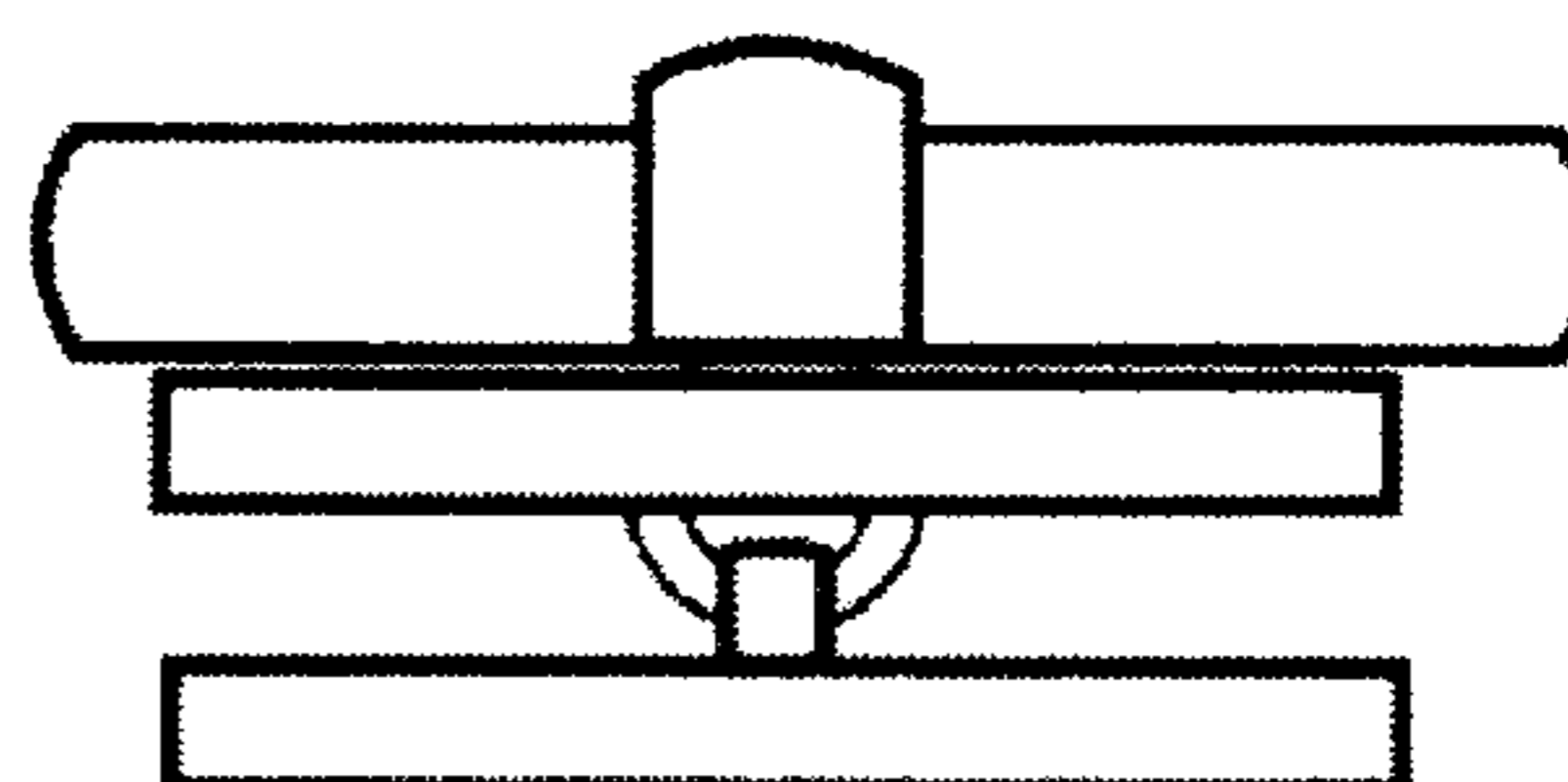


Fig. 6

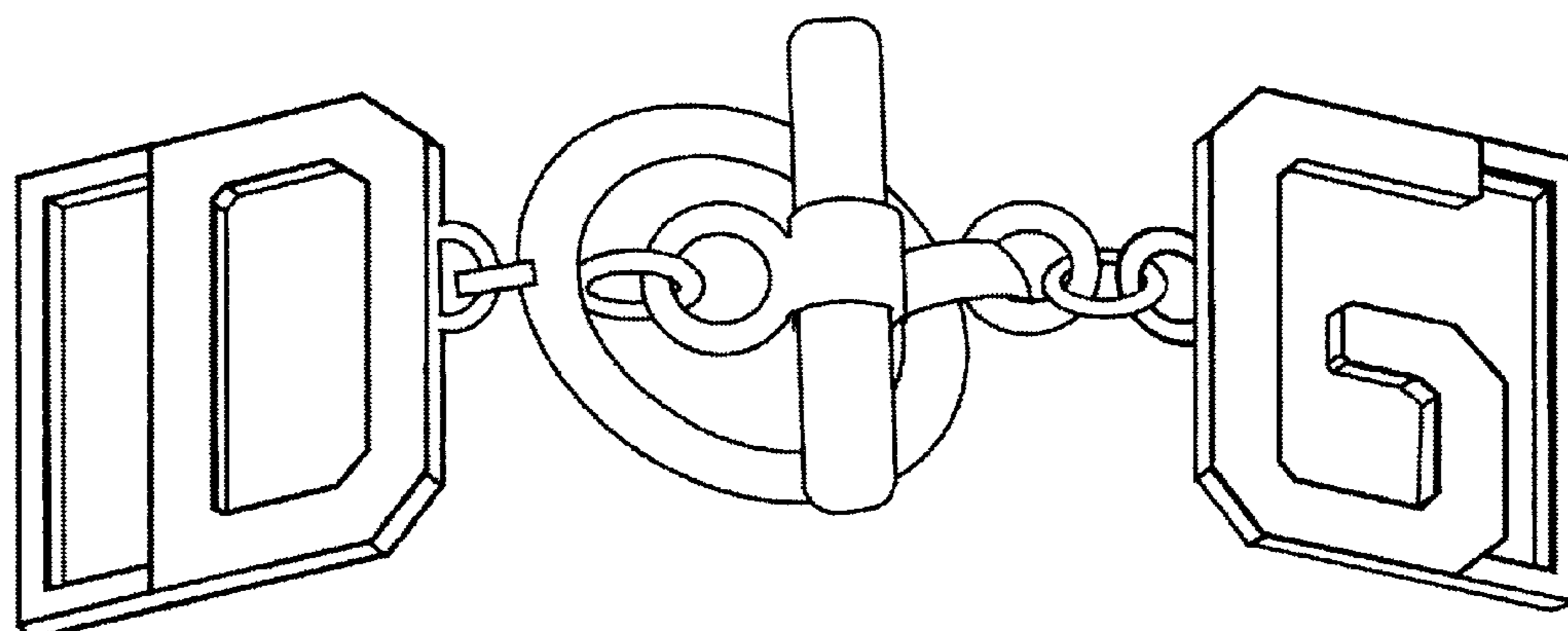


Fig. 7