

US00D519411S

(12) **United States Design Patent**
Yoshiguchi

(10) **Patent No.:** **US D519,411 S**

(45) **Date of Patent:** **** Apr. 25, 2006**

(54) **BUCKLE**

D386,124 S * 11/1997 Anscher D11/216
D387,014 S * 12/1997 Matoba D11/218

(75) Inventor: **Manabu Yoshiguchi**, Kamakura (JP)

* cited by examiner

(73) Assignee: **Nifco Inc.**, Yokohama (JP)

Primary Examiner—Ralf Seifert

(**) Term: **14 Years**

(74) *Attorney, Agent, or Firm*—Manabu Kanesaka

(21) Appl. No.: **29/218,985**

(57) **CLAIM**

(22) Filed: **Dec. 10, 2004**

The ornamental design for a buckle, as shown and described.

(51) **LOC (8) Cl.** **02-07**

DESCRIPTION

(52) **U.S. Cl.** **D11/218**

(58) **Field of Classification Search** D11/200,
D11/201, 208–210, 212–218, 220, 230–234,
D11/237, 86–87, 94; 63/15.2, 15; 24/307,
24/625, 616, 200, 196, 171, 169, 112
See application file for complete search history.

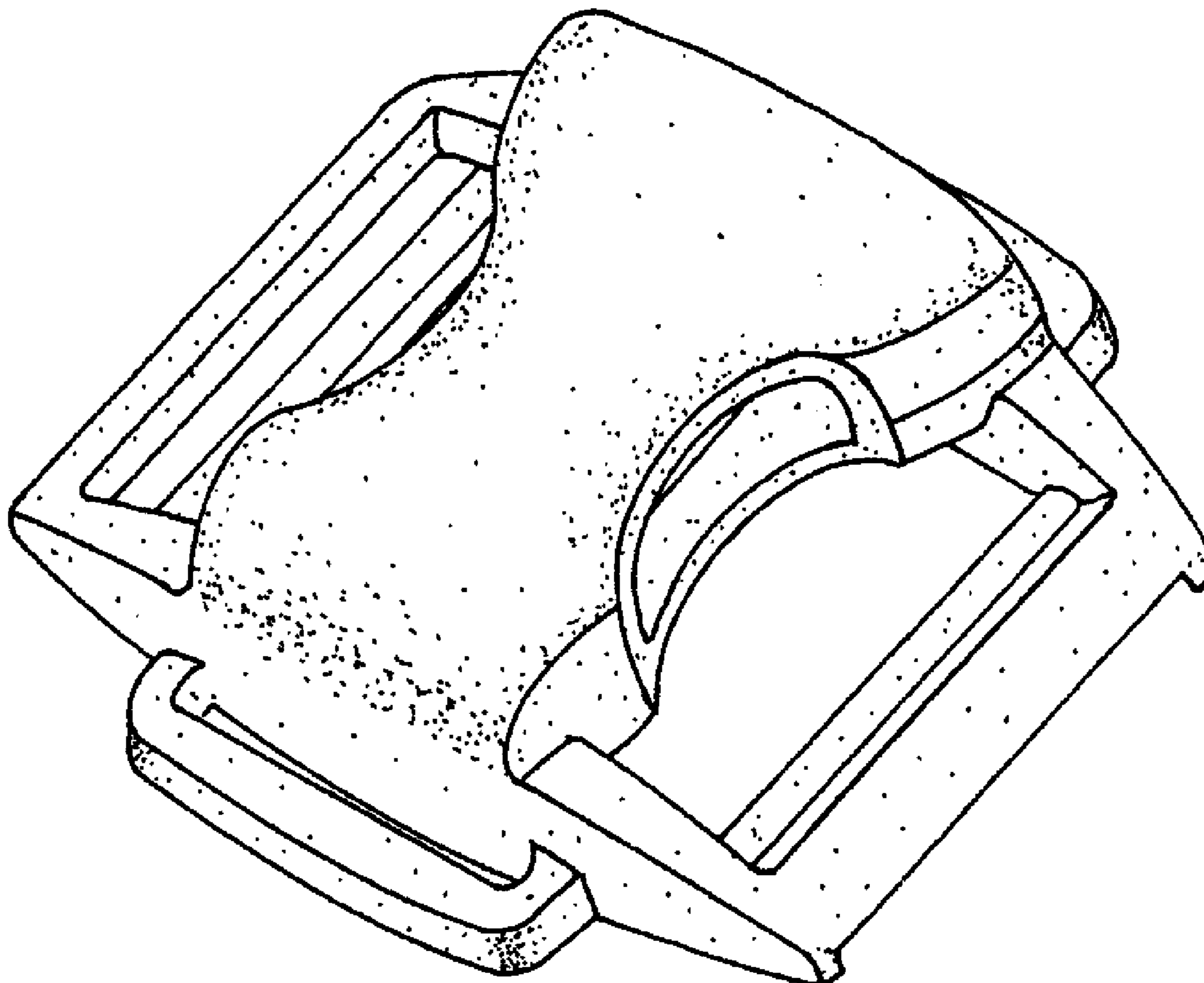
FIG. 1 is a perspective view of a buckle showing my new design;
FIG. 2 is a front view thereof;
FIG. 3 is a rear view thereof;
FIG. 4 is a plan view thereof;
FIG. 5 is a bottom view thereof;
FIG. 6 is a right side view thereof, a left side view being symmetrical to the right side view;
FIG. 7 is a sectional view taken along line 7—7 in FIG. 6; and,
FIG. 8 is a sectional view taken along line 8—8 in FIG. 4.

(56) **References Cited**

U.S. PATENT DOCUMENTS

D349,664 S * 8/1994 Ueno D11/216
D360,390 S * 7/1995 Murai D11/216

1 Claim, 3 Drawing Sheets



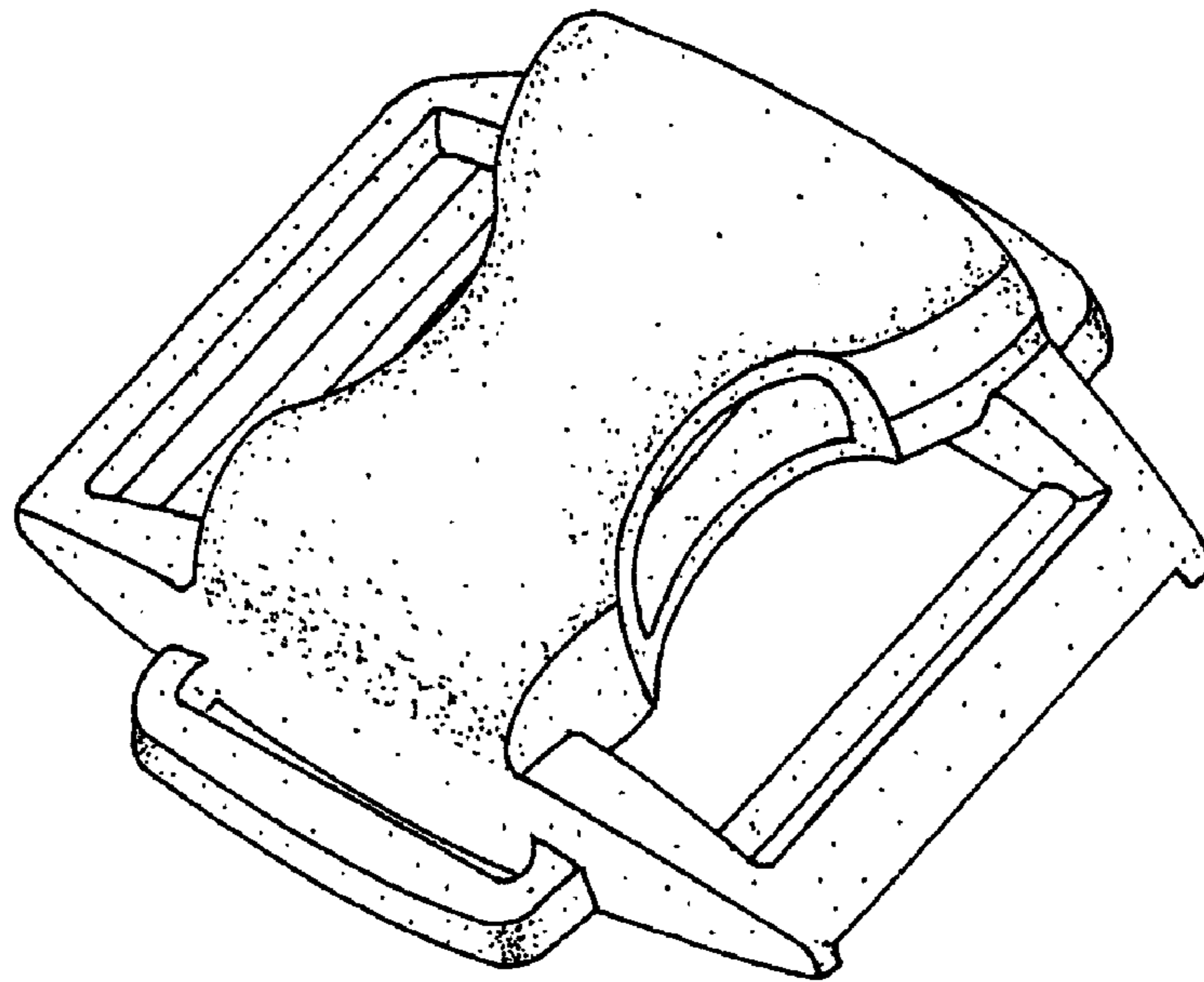


Fig. 1

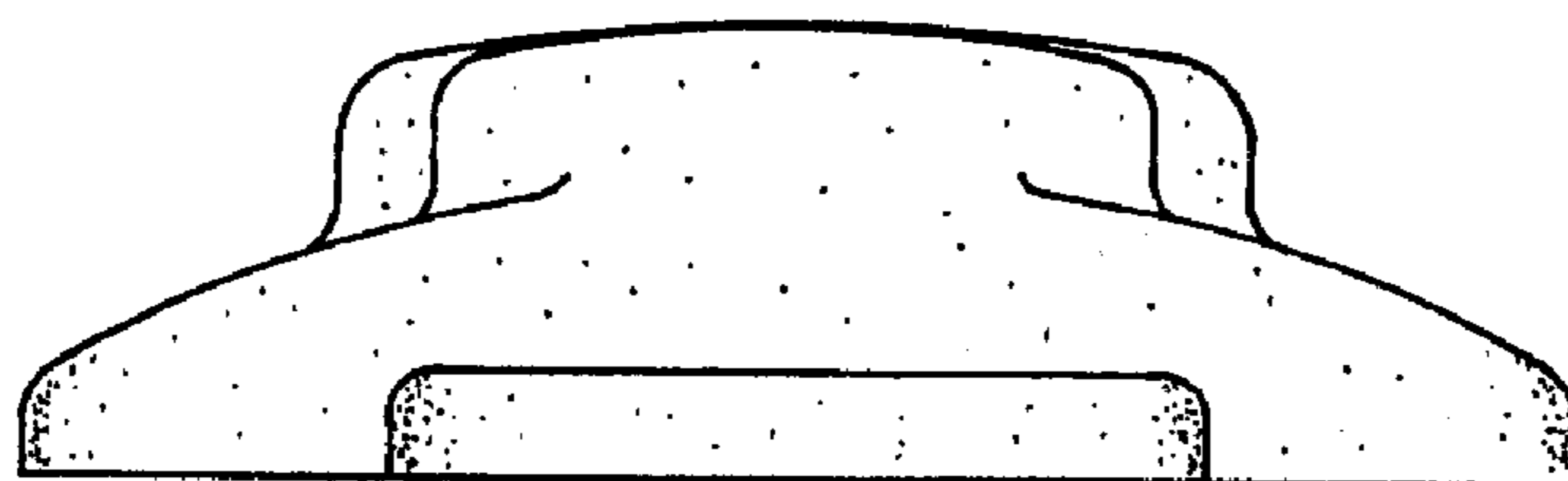


Fig. 2

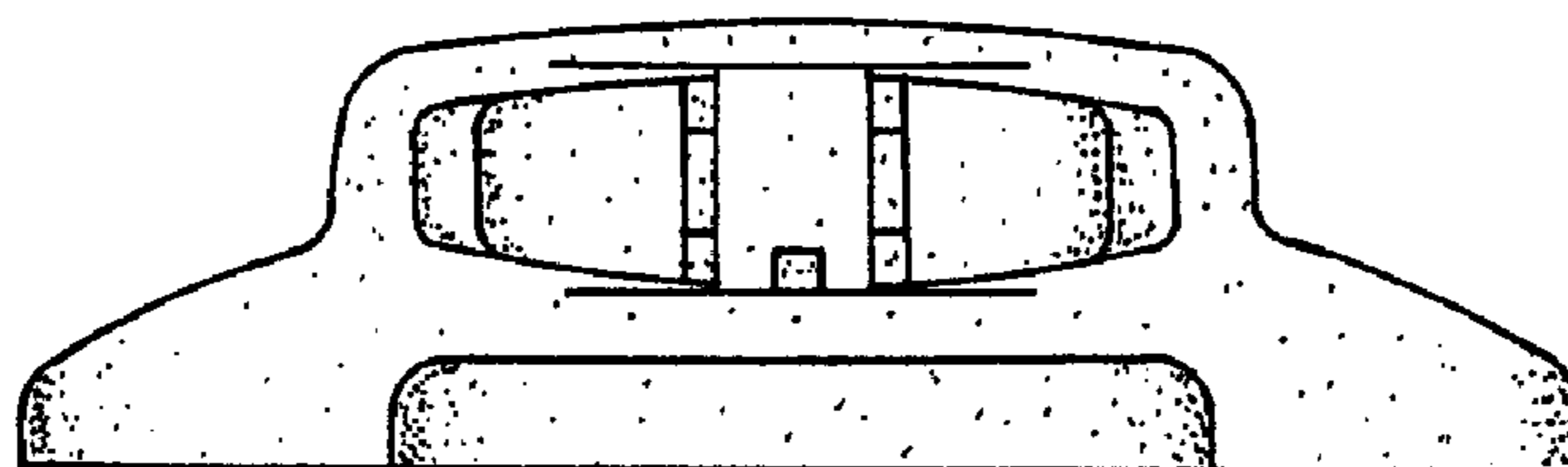


Fig. 3

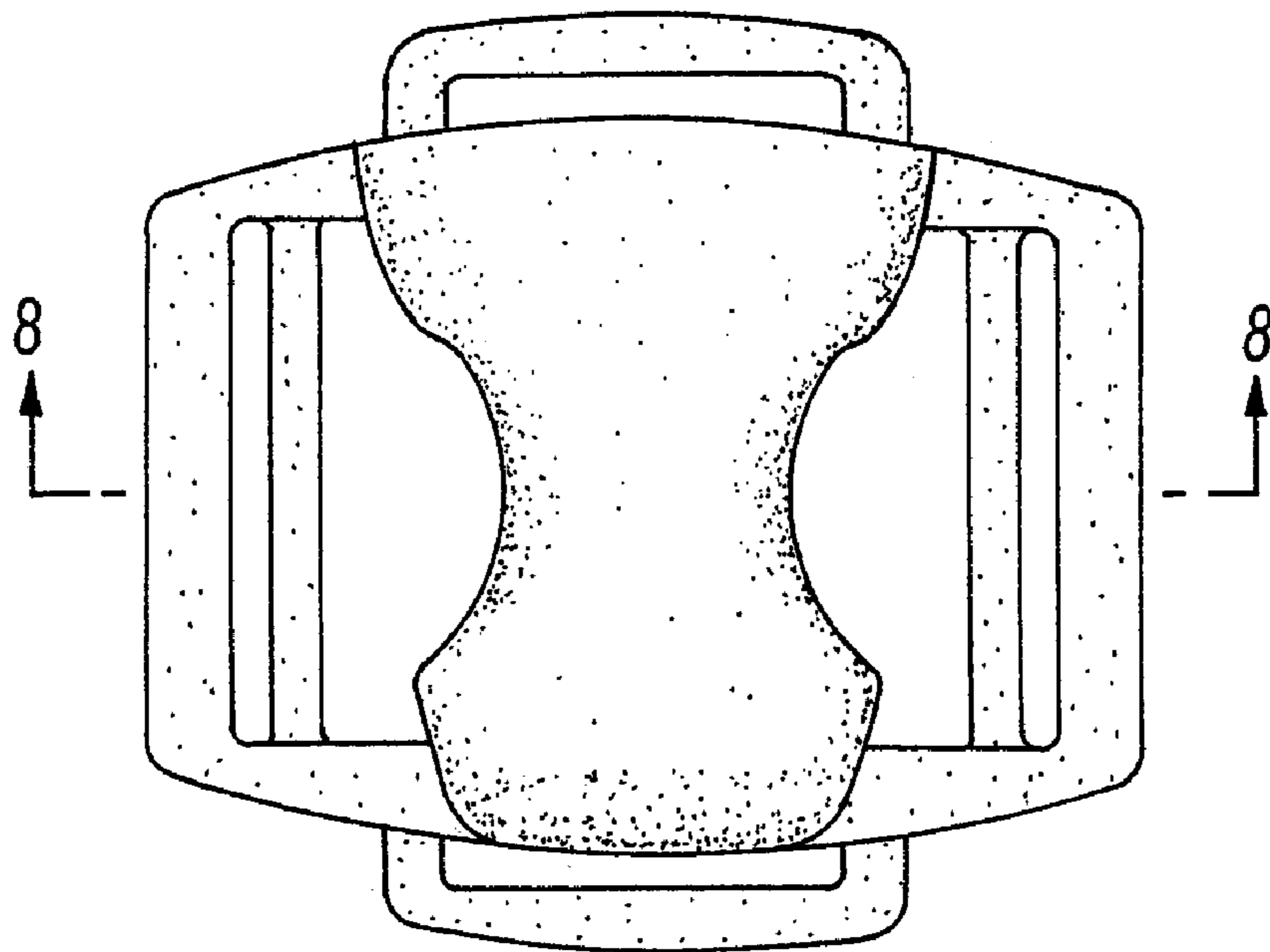


Fig. 4

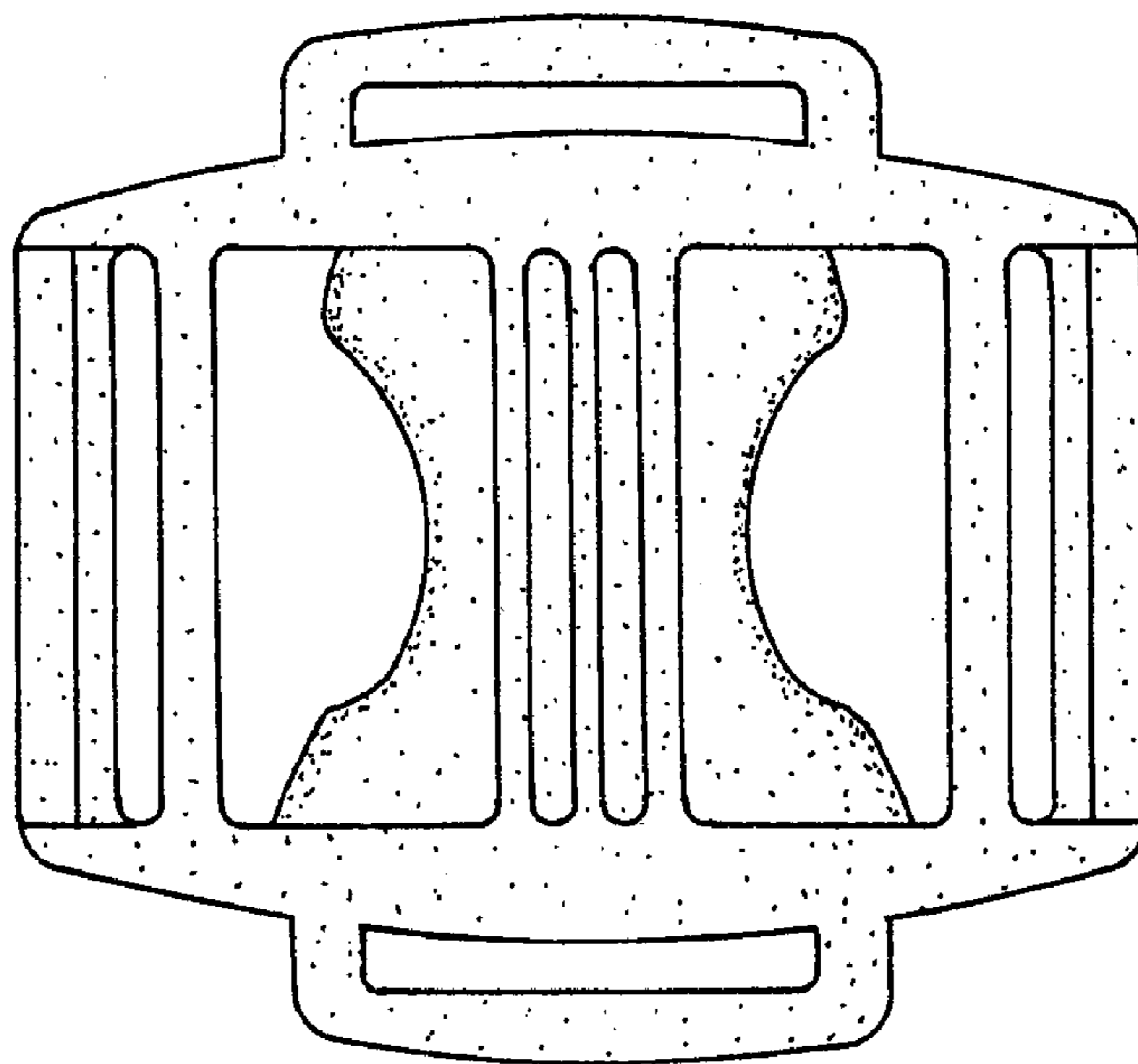


Fig. 5

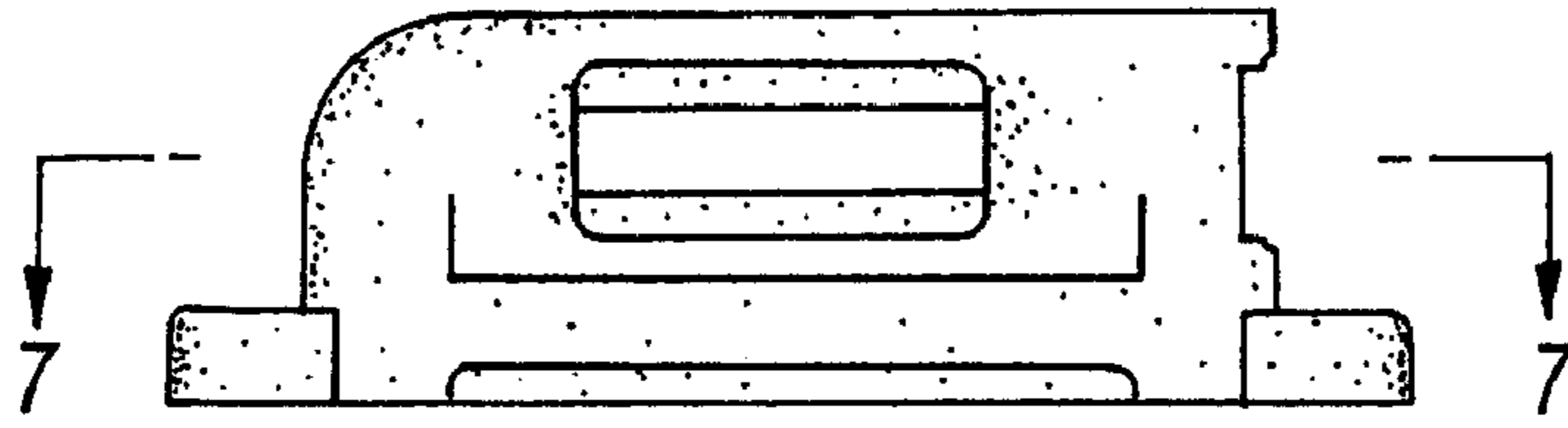


Fig. 6

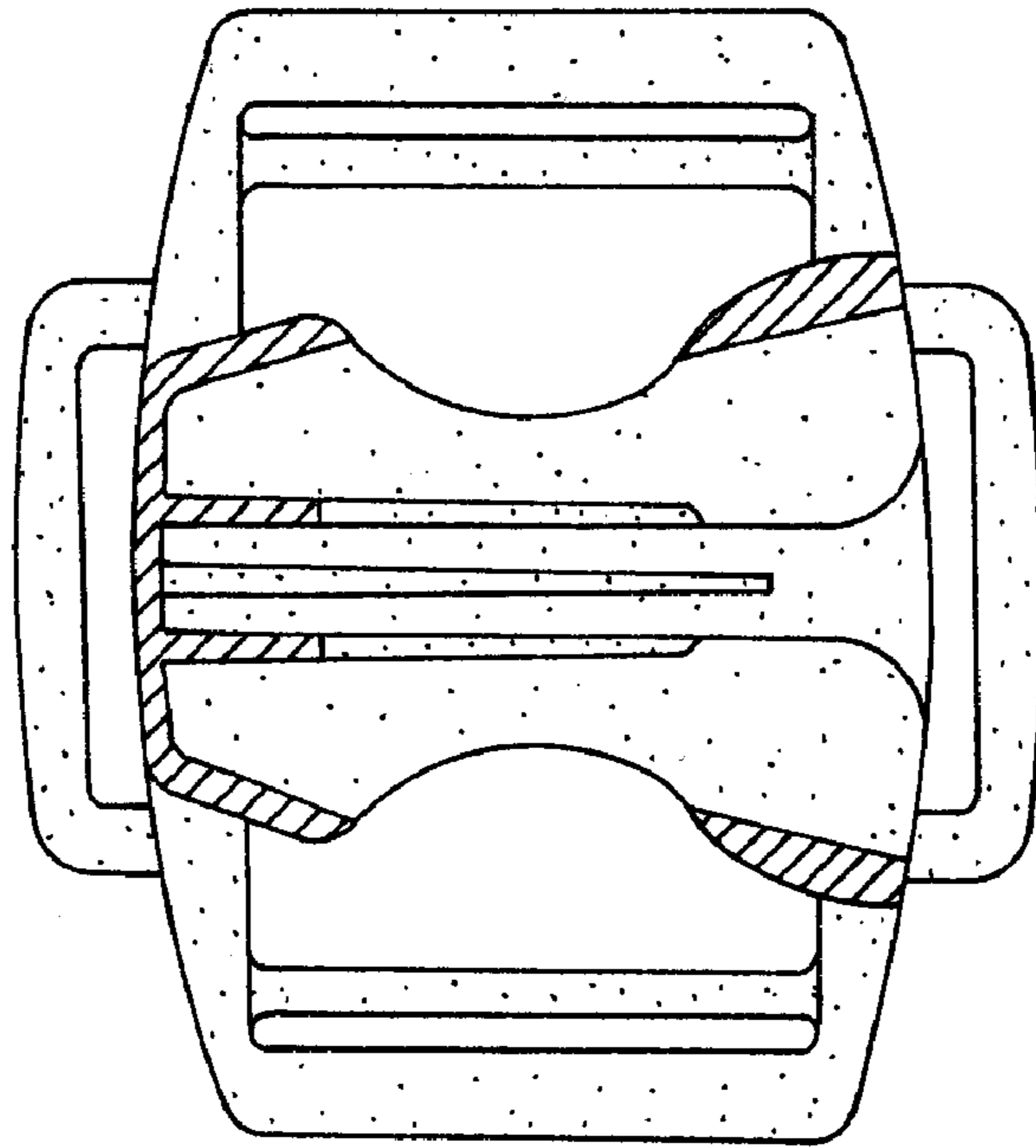


Fig. 7

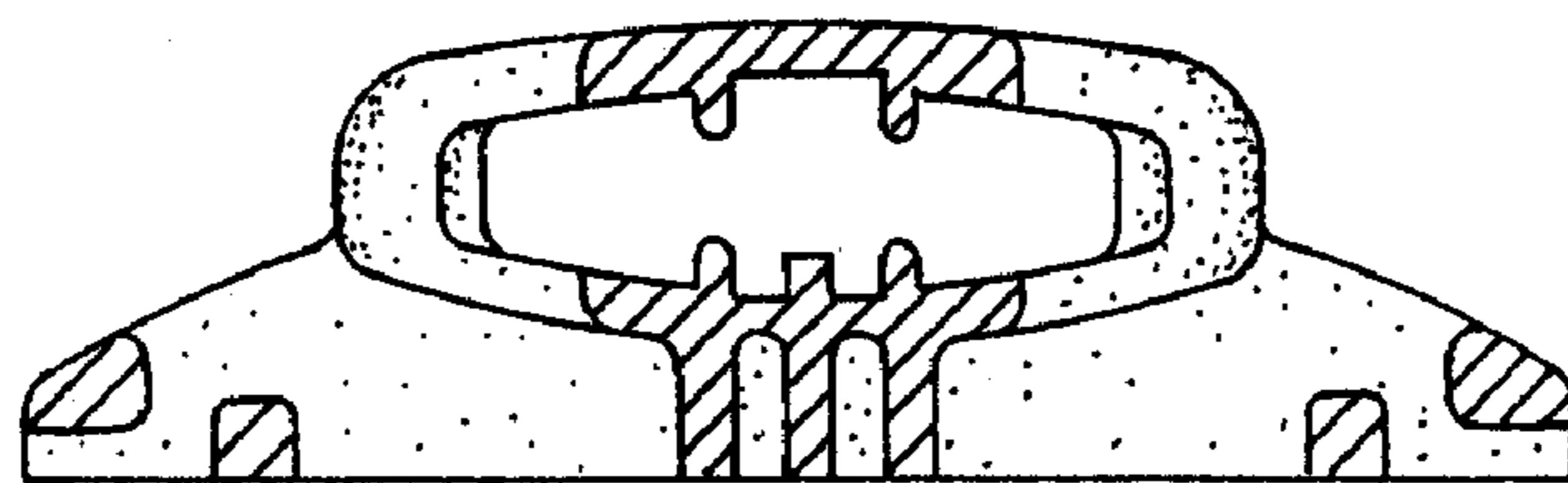


Fig. 8