



US00D519410S

(12) **United States Design Patent**  
**Luk**

(10) **Patent No.:** **US D519,410 S**

(45) **Date of Patent:** **\*\* Apr. 25, 2006**

(54) **BUCKLE**

(75) **Inventor:** **Siu Ming Luk, Cheung Sha Wan (HK)**

(73) **Assignee:** **Luk's Brothers Metal Button Factory and Company Limited (HK)**

(\*\*) **Term:** **14 Years**

(21) **Appl. No.:** **29/197,654**

(22) **Filed:** **Jan. 20, 2004**

(51) **LOC (8) Cl.** ..... **02-07**

(52) **U.S. Cl.** ..... **D11/218; D11/200**

(58) **Field of Classification Search** ..... D11/200,  
D11/201, 208-210, 212-218, 220, 230-234,  
D11/237, 86-87, 94; 63/15.2, 15; 24/307,  
24/625, 616, 200, 196, 171, 169, 112  
See application file for complete search history.

(56) **References Cited**

**U.S. PATENT DOCUMENTS**

D21,860 S \* 9/1892 Shillitto ..... D11/218

4,005,904 A \* 2/1977 Weman et al. .... 297/483  
D357,435 S \* 4/1995 Cook ..... D11/218  
D364,126 S \* 11/1995 Ochiai et al. .... D11/218  
D406,250 S \* 3/1999 Luk ..... D11/218  
D470,793 S \* 2/2003 Horn et al. .... D11/200

\* cited by examiner

*Primary Examiner*—Ralf Seifert

(74) *Attorney, Agent, or Firm*—Rabin & Berdo, PC

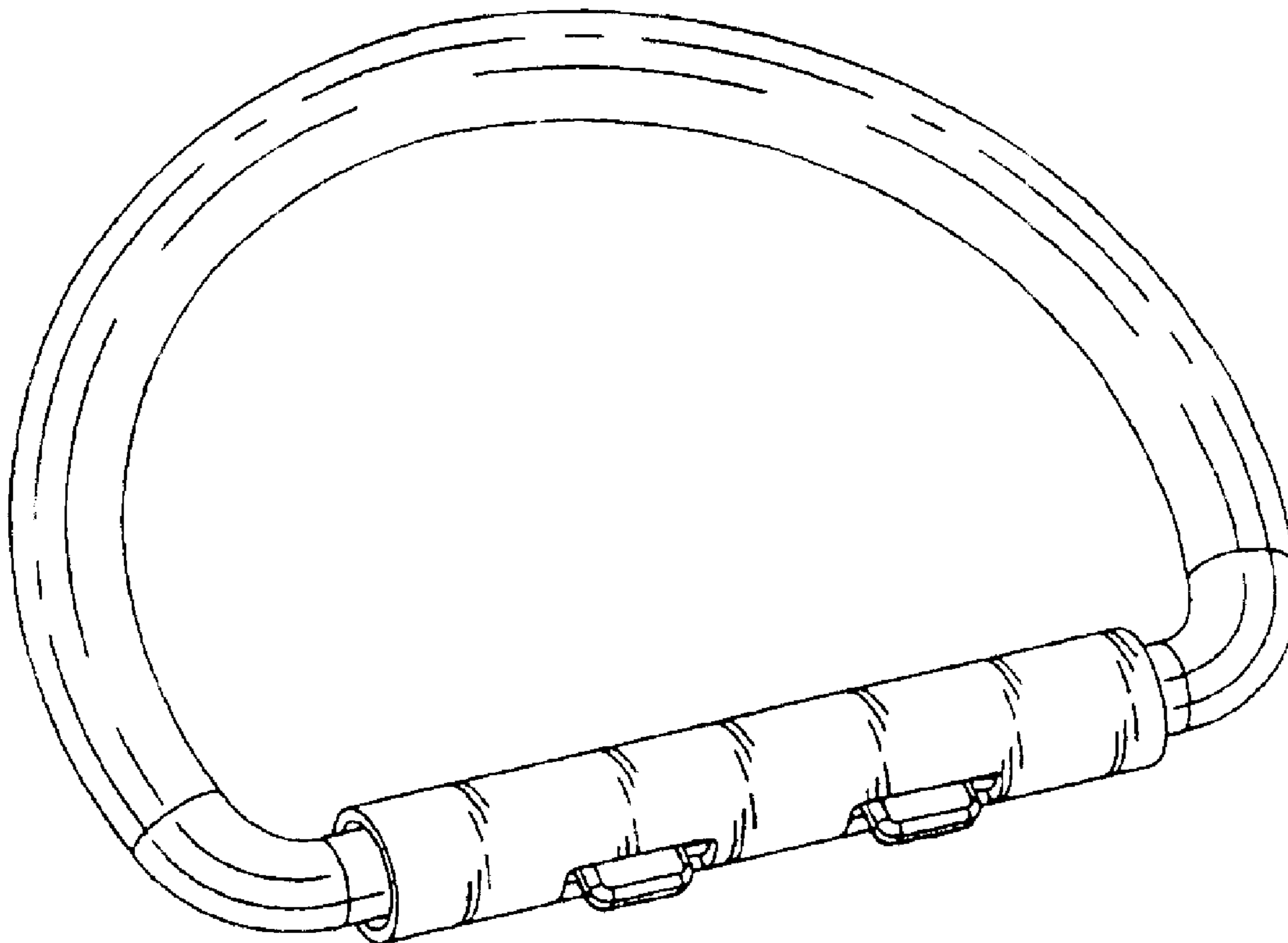
(57) **CLAIM**

The ornamental design for a buckle, as shown and described.

**DESCRIPTION**

FIG. 1 is a back view of the design;  
FIG. 2 is a front view;  
FIG. 3 is a top view,  
FIG. 4 is a bottom view;  
FIG. 5 is a right side view;  
FIG. 6 is a left side view; and,  
FIG. 7 is a perspective view.

**1 Claim, 3 Drawing Sheets**



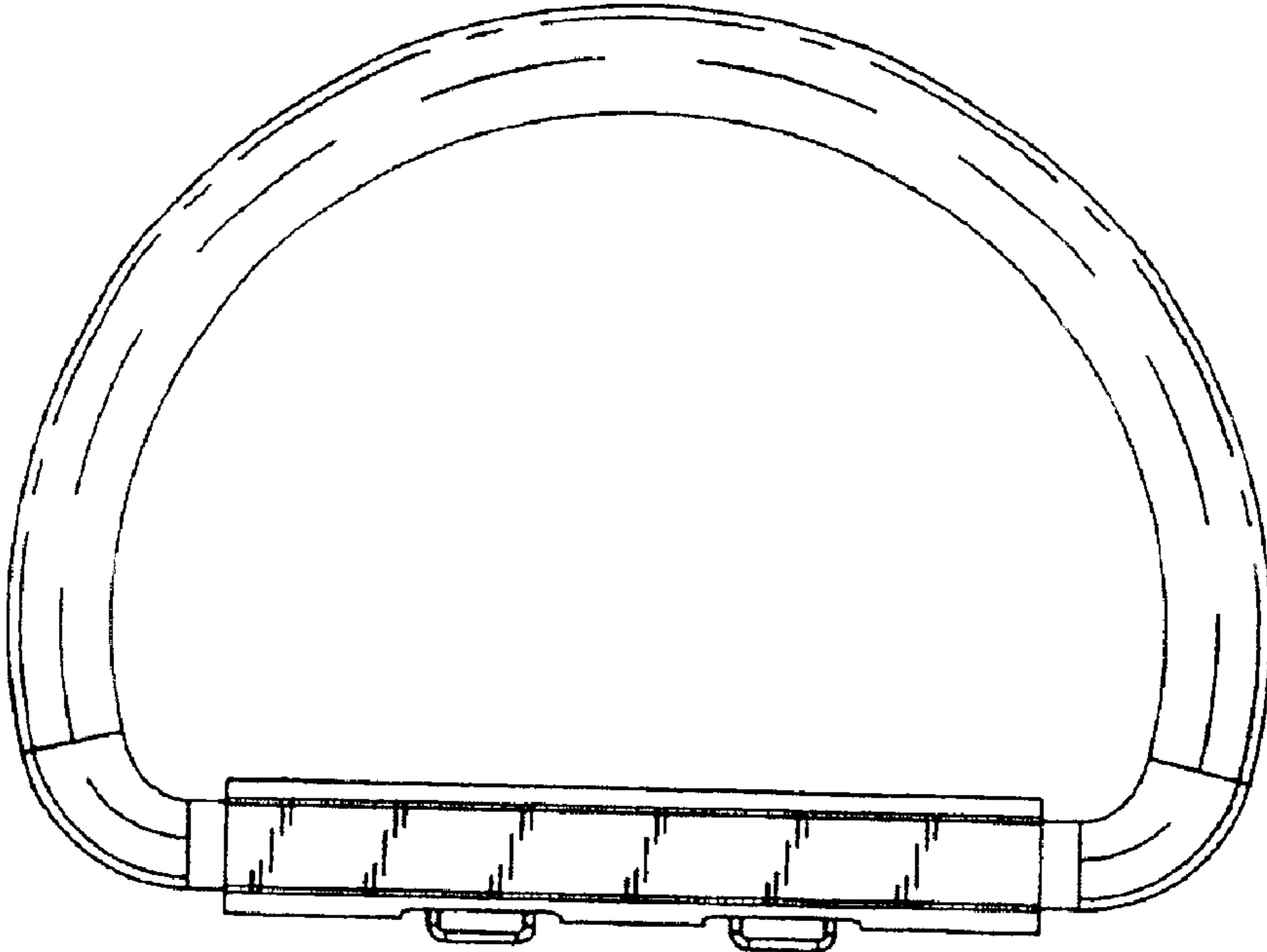


FIG. 1

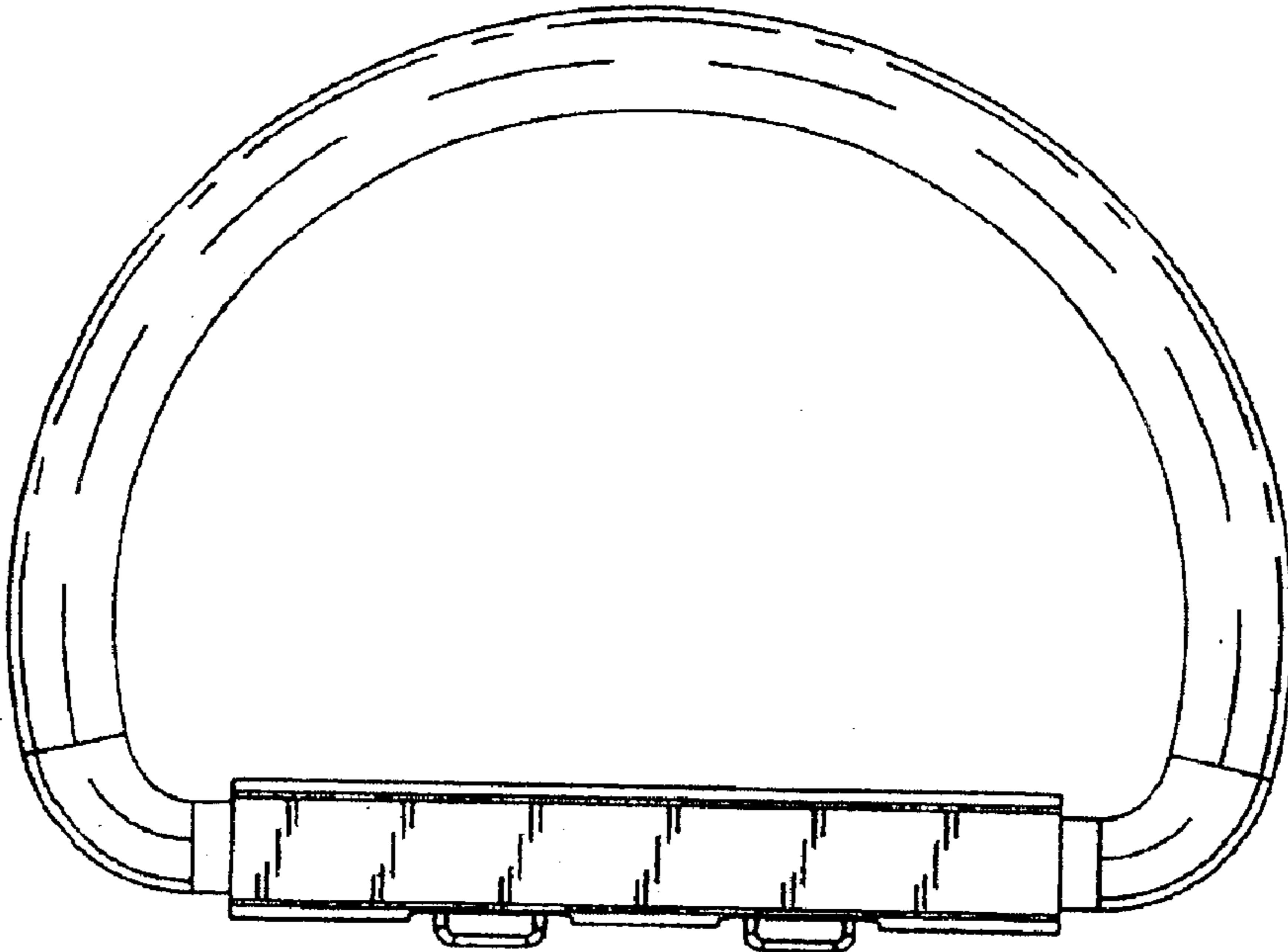


FIG. 2

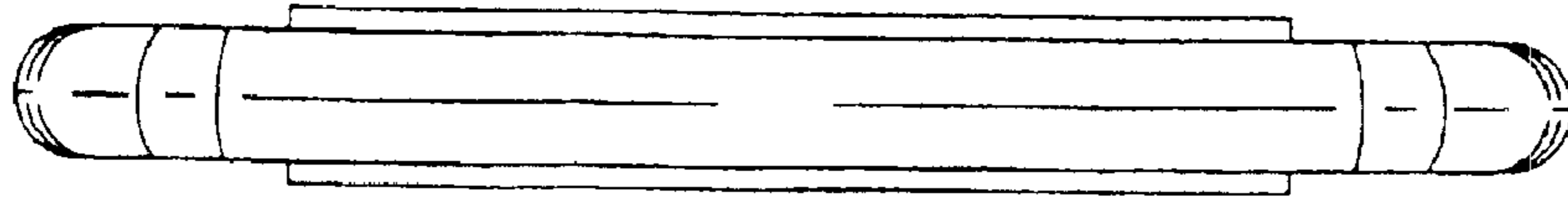


FIG. 3



FIG. 4



FIG. 5

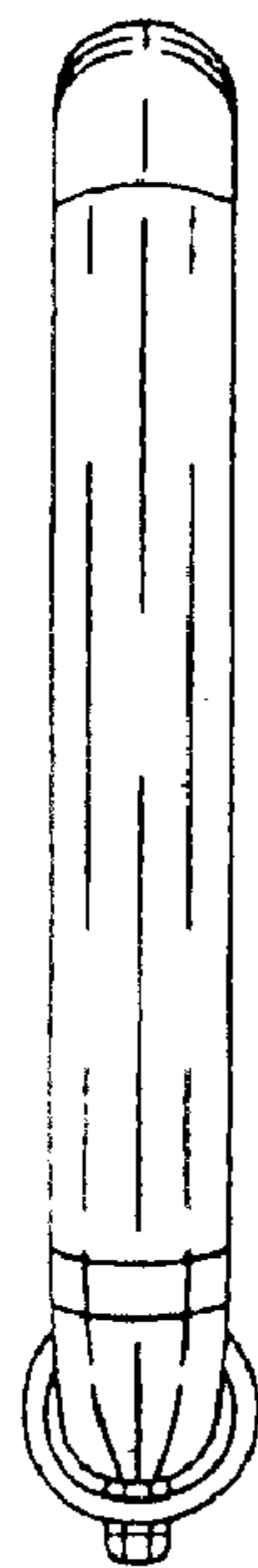


FIG. 6

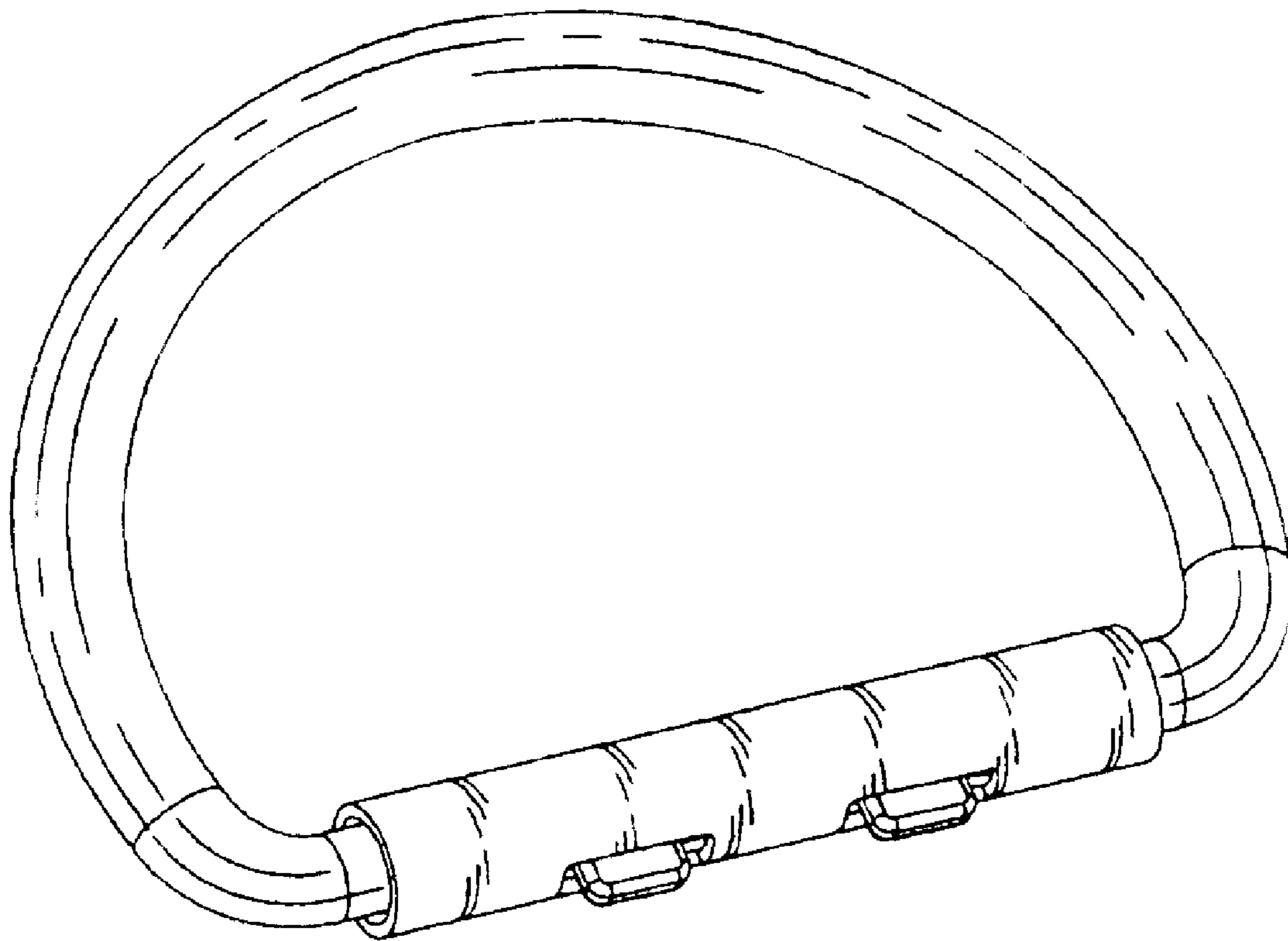


FIG. 7