



US00D519406S

(12) **United States Design Patent**
Merrill et al.

(10) **Patent No.:** **US D519,406 S**
(45) **Date of Patent:** **** Apr. 25, 2006**

(54) **BUCKLE WITH SLIDE BUTTON**
(76) Inventors: **David T. Merrill**, 6101 E. Calle del Paisano, Scottsdale, AZ (US) 85251;
Jeffrey P. Baldwin, 3420 W. Via Montoya Dr., Phoenix, AZ (US) 85027

(**) **Term:** **14 Years**

(21) **Appl. No.:** **29/197,618**

(22) **Filed:** **Jan. 16, 2004**

(51) **LOC (8) Cl.** **02-07**

(52) **U.S. Cl.** **D11/216**

(58) **Field of Classification Search** D11/200,
D11/201, 208–210, 212–218, 220, 230–234,
D11/237, 86–87, 94; 63/15.2, 15; 24/307,
24/625, 616, 200, 196, 171, 169, 112, 642,
24/632

See application file for complete search history.

(56) **References Cited**

U.S. PATENT DOCUMENTS

3,921,262 A 11/1975 Tanaka
4,457,052 A 7/1984 Hauber
4,646,400 A 3/1987 Tanaka
4,660,889 A 4/1987 Anthony et al.
4,679,852 A 7/1987 Anthony et al.
5,031,962 A 7/1991 Lee
5,160,186 A 11/1992 Lee
D342,465 S * 12/1993 Anthony et al. D11/218
5,267,377 A 12/1993 Gillis et al.
5,269,051 A 12/1993 McFalls
D351,122 S * 10/1994 Janeke D11/216

5,380,067 A 1/1995 Turvill et al.
5,383,708 A 1/1995 Nagasaka et al.
D364,124 S * 11/1995 Lortz et al. D11/216
5,487,588 A 1/1996 Burleigh et al.
5,695,243 A 12/1997 Anthony et al.
6,095,604 A 8/2000 Stack et al.
D454,092 S * 3/2002 Lindblad D11/200
6,463,638 B1 * 10/2002 Pontaoe 24/614
D474,714 S * 5/2003 Karlsson et al. D11/216
6,619,753 B1 9/2003 Takayama
6,796,007 B1 * 9/2004 Anscher 24/633
6,868,591 B1 * 3/2005 Dingman et al. 24/615
2003/0056346 A1 3/2003 Perrero

FOREIGN PATENT DOCUMENTS

JP 11-59246 3/1999

* cited by examiner

Primary Examiner—Ralf Seifert
(74) *Attorney, Agent, or Firm*—DLA Piper Rudnick

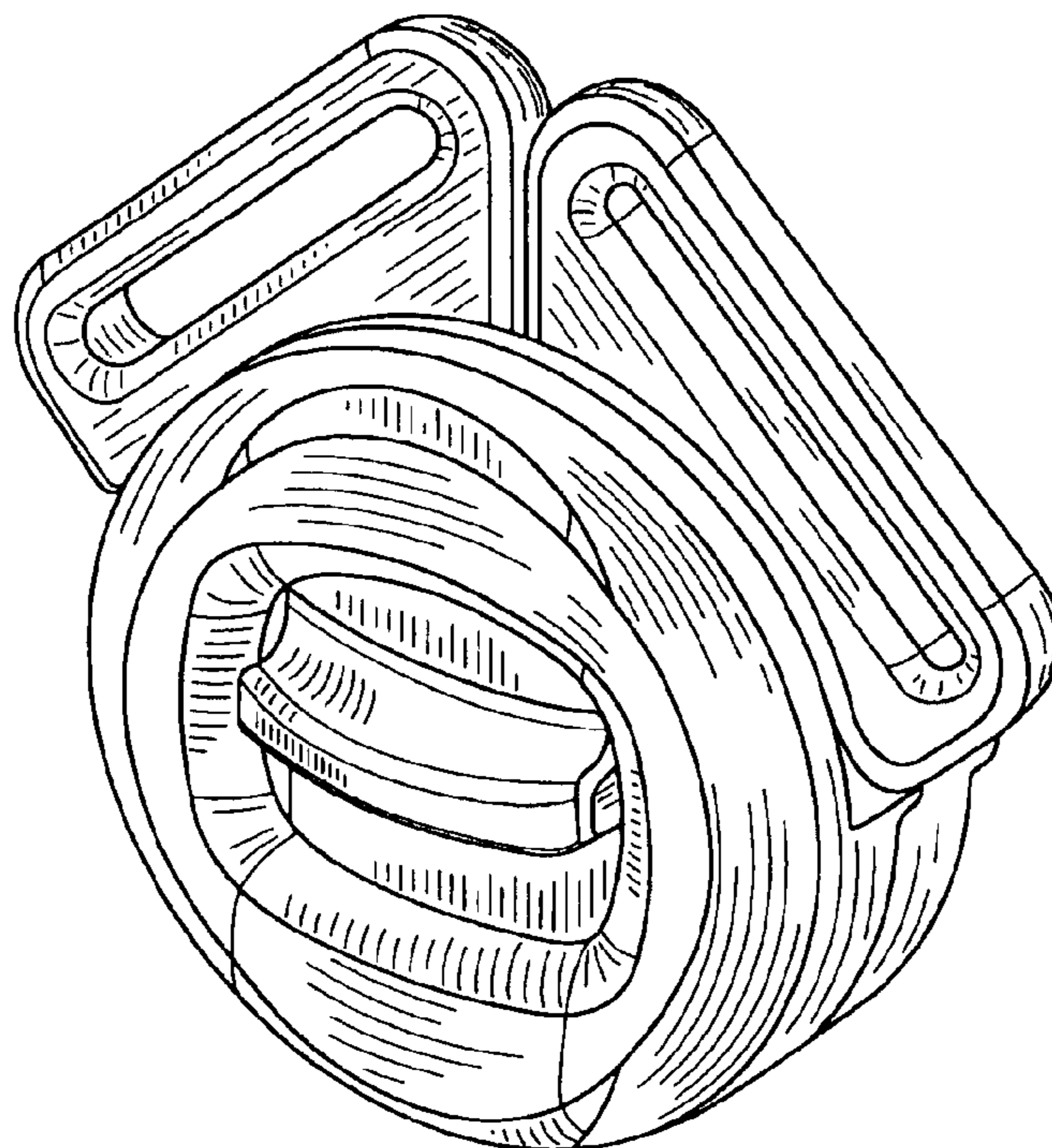
(57) **CLAIM**

The ornamental design for a buckle with slide button, as shown.

DESCRIPTION

FIG. 1 is a perspective view of the design;
FIG. 2 is a front elevational view of the design;
FIG. 3 is a rear elevational of the design;
FIG. 4 is a right side elevational view of the design, with the left elevational view being a mirror image thereof;
FIG. 5 is a top plan view of the design; and,
FIG. 6 is a bottom plan view of the design.

1 Claim, 3 Drawing Sheets



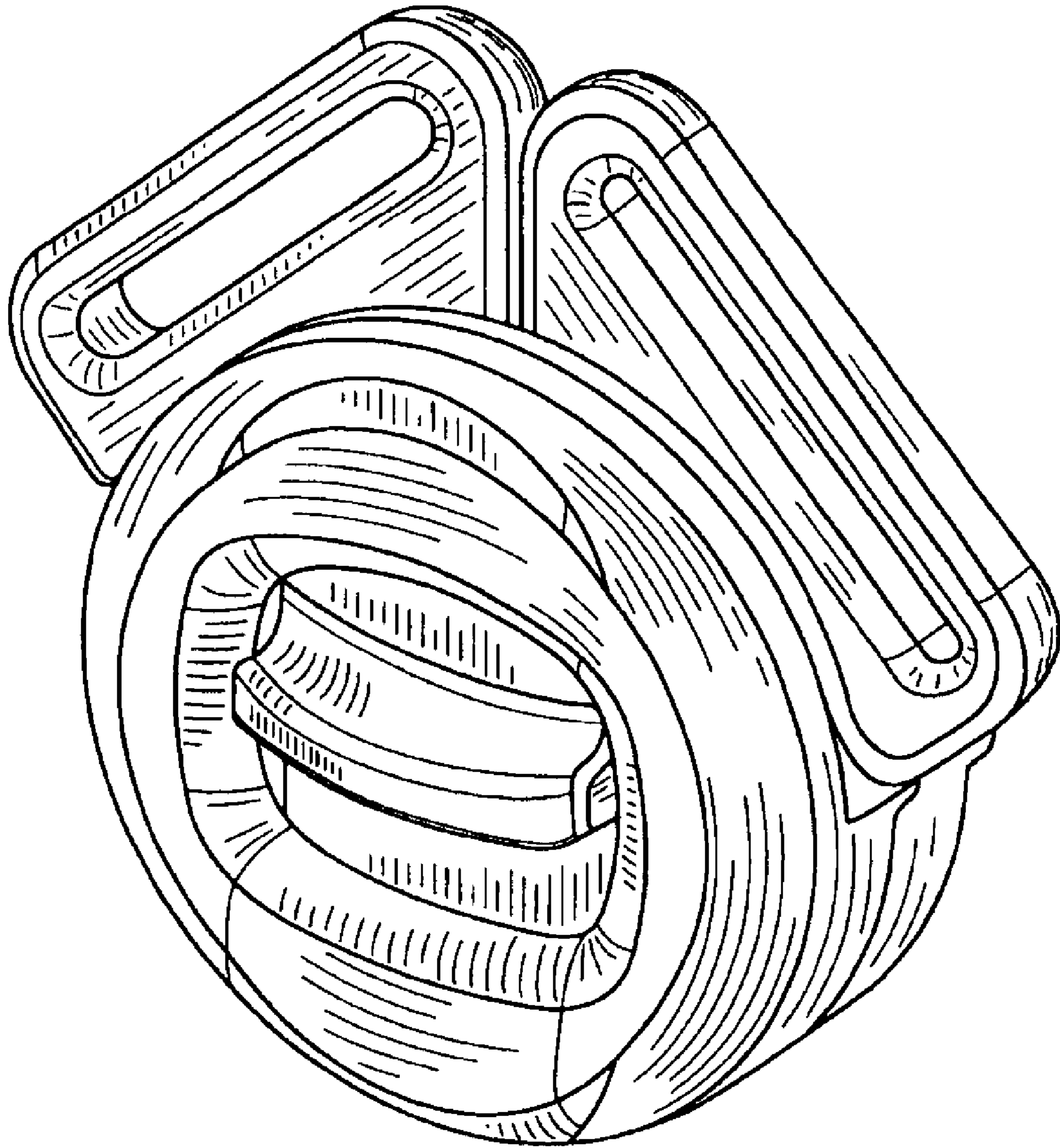


FIG. 1

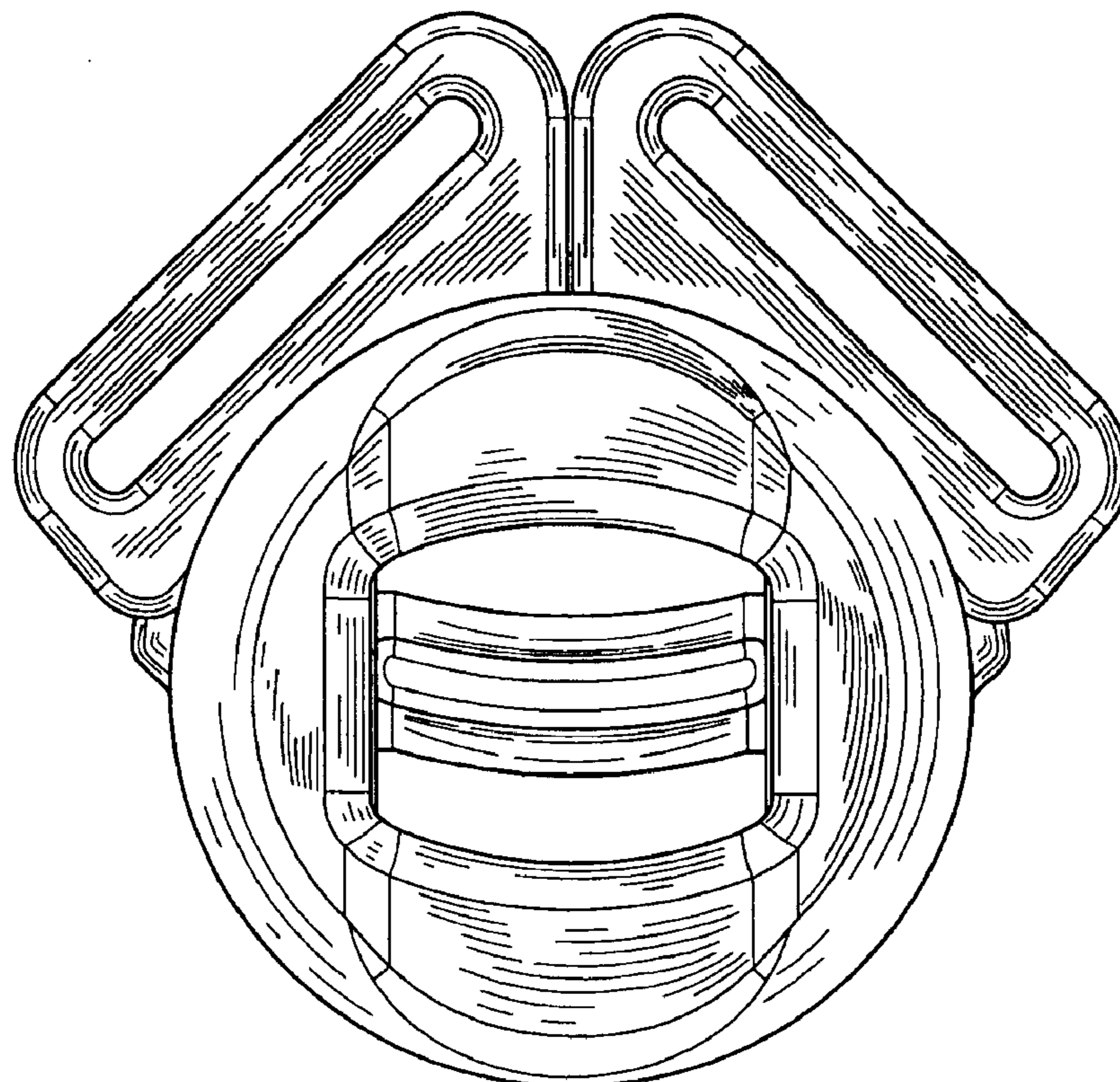


FIG. 2

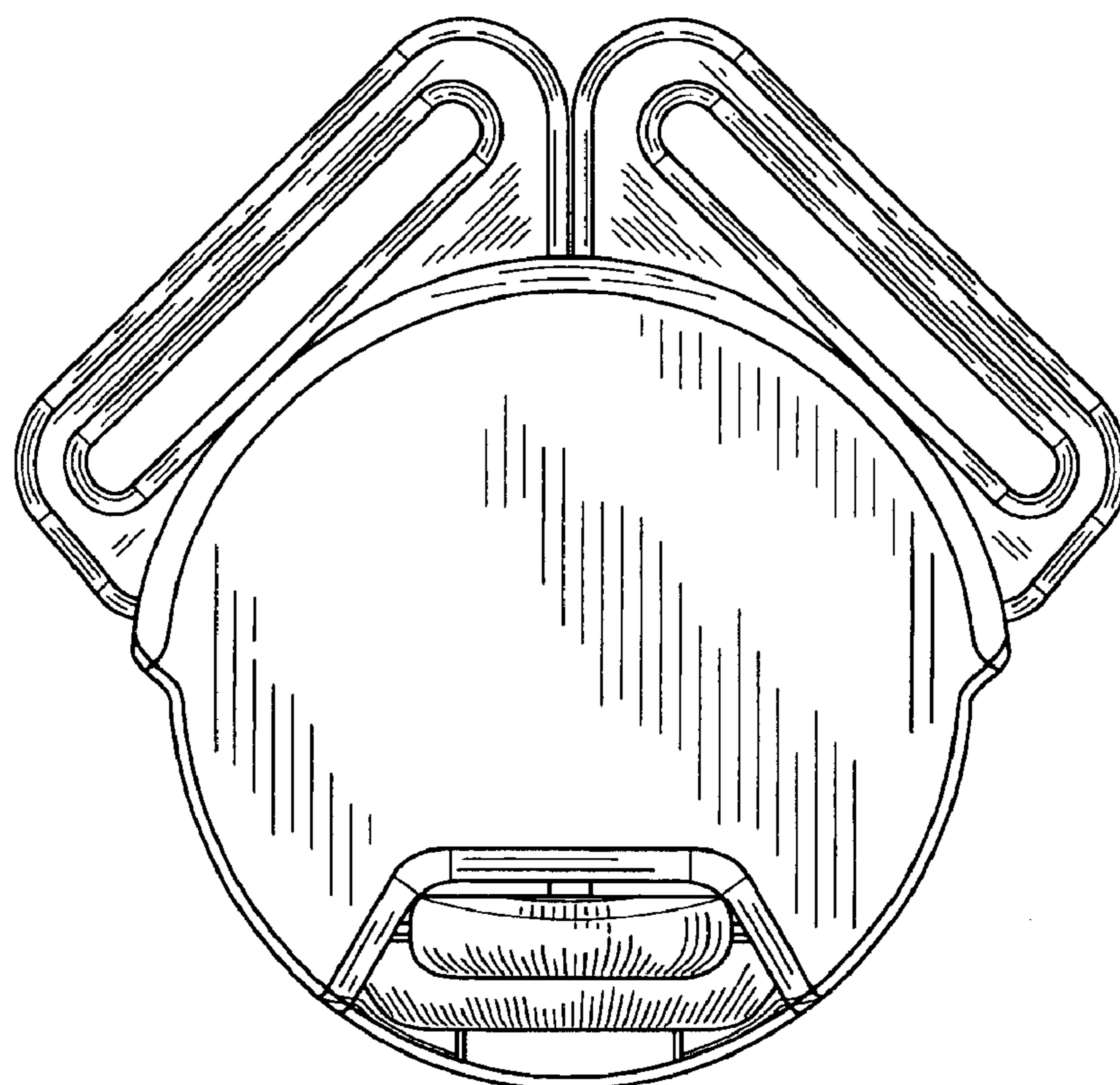


FIG. 3

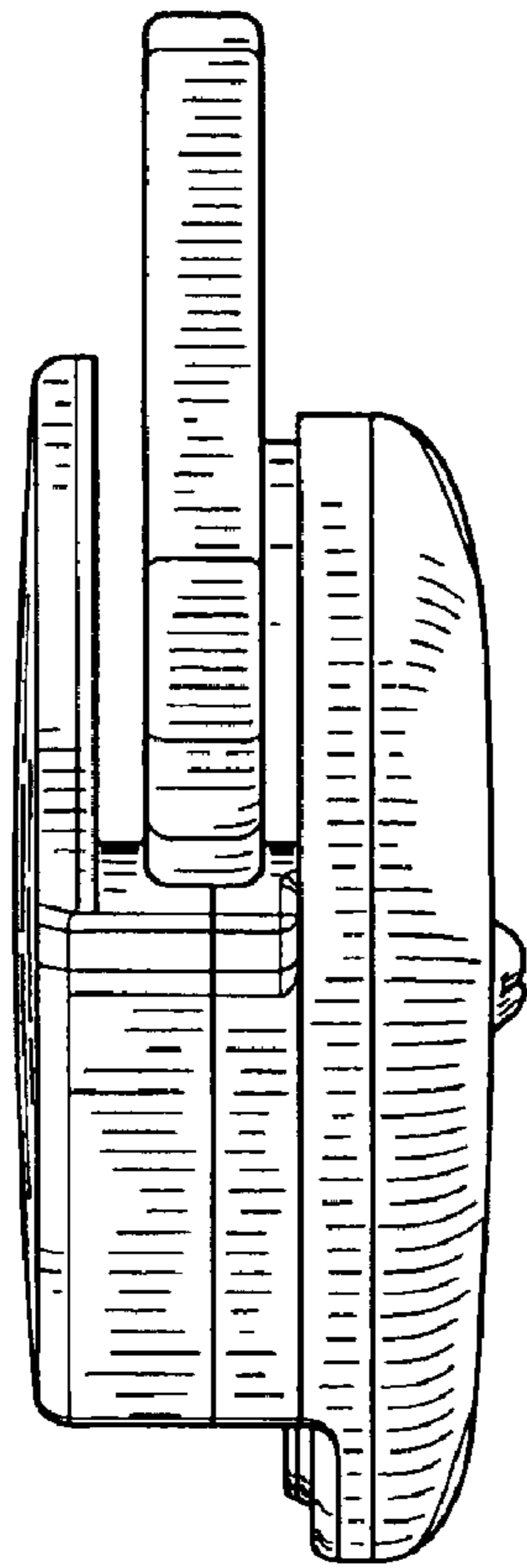


FIG. 4

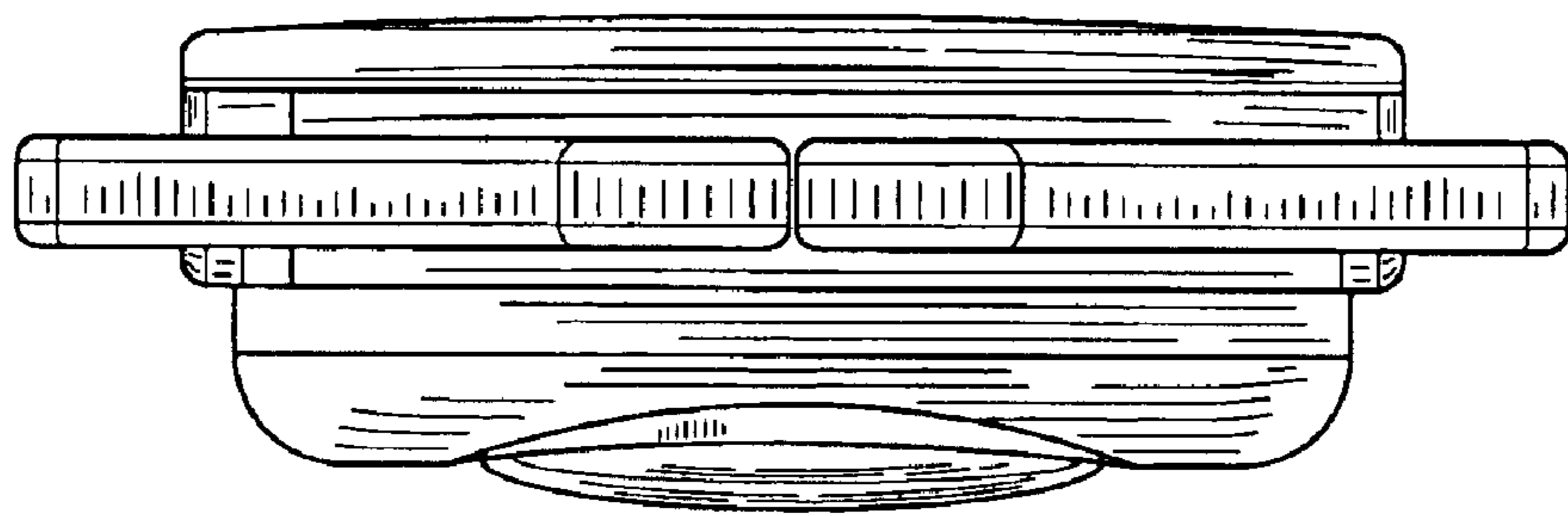


FIG. 5

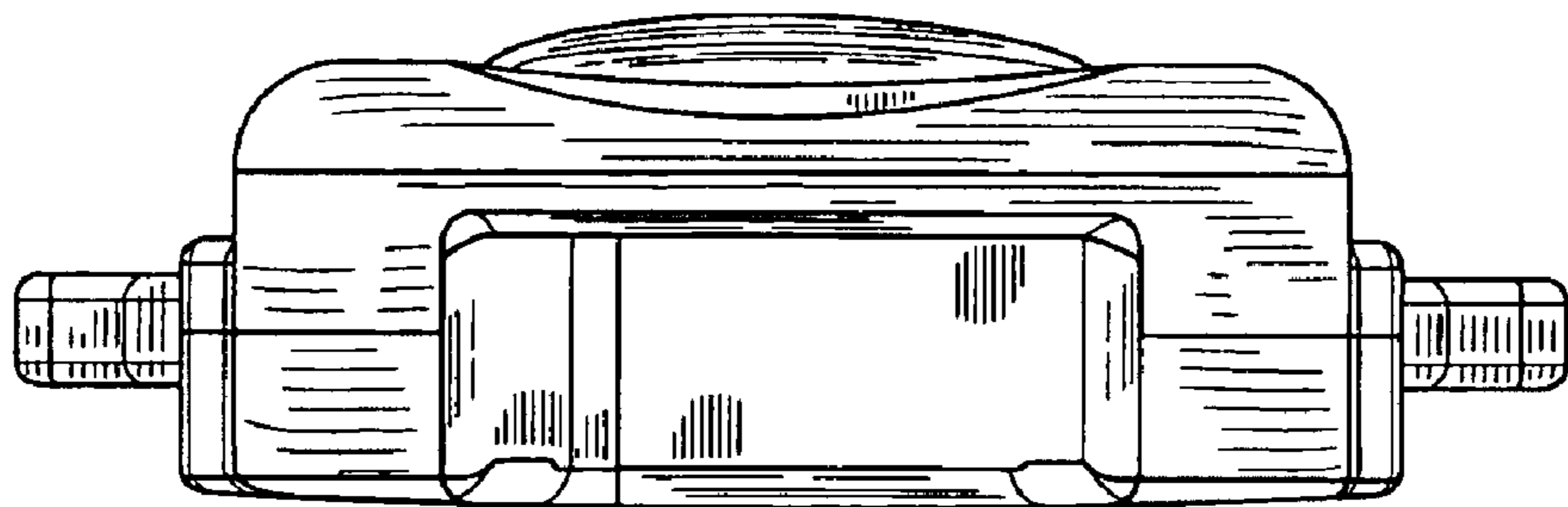


FIG. 6