



US00D519394S

(12) **United States Design Patent**  
**DiPasquale**

(10) **Patent No.:** **US D519,394 S**

(45) **Date of Patent:** **\*\* Apr. 25, 2006**

(54) **DOOR/WINDOW SENSOR**

(75) Inventor: **Kathy E. DiPasquale**, Baltimore, MD  
(US)

(73) Assignee: **Black & Decker, Inc.**, Newark, DE  
(US)

(\*\*) Term: **14 Years**

(21) Appl. No.: **29/216,969**

(22) Filed: **Nov. 10, 2004**

(51) **LOC (8) Cl.** ..... **10-05**

(52) **U.S. Cl.** ..... **D10/106**

(58) **Field of Classification Search** ..... D10/121,  
D10/106; D13/165; D14/346, 341; D26/85,  
D26/51, 26; 250/221; 340/555, 556  
See application file for complete search history.

(56) **References Cited**

**U.S. PATENT DOCUMENTS**

D71,080 S	9/1926	Raymond	
D190,306 S	5/1961	Willis	
D275,658 S	9/1984	Kahl et al.	
D287,408 S	* 12/1986	Gaines	D26/26
4,703,171 A	10/1987	Kahl et al.	
D302,951 S	8/1989	Kotlicki et al.	
D307,245 S	* 4/1990	Biersdorff	D10/106
D307,560 S	5/1990	Andrews et al.	
D317,942 S	* 7/1991	Fritz et al.	D20/17
D332,776 S	* 1/1993	Kelly et al.	D14/346
D336,260 S	* 6/1993	Jensen	D10/106
D339,079 S	9/1993	Behlke	
D346,567 S	5/1994	Rimon	
D346,982 S	5/1994	Greene et al.	
D354,559 S	* 1/1995	Knute et al.	D24/108
D356,550 S	* 3/1995	Mizusugi et al.	D14/341
D356,748 S	3/1995	Carmi	
D359,922 S	7/1995	Sandell	
D359,923 S	7/1995	Sandell	
D361,552 S	* 8/1995	Iino	D14/341
D364,827 S	12/1995	Carmi	
D370,863 S	6/1996	Carmi	

(Continued)

**OTHER PUBLICATIONS**

Lelux Electronics Motion Sensor Mar. 5, 2005 [http://www.globalsources.com/gsol/GeneralManager?&catalog\\_id=2000000003844&design=clean&language=en&action=GetProduct&page=ProductDetail&product\\_id=1000449985&action=GetPoint&point\\_id=3000000149681&big=y](http://www.globalsources.com/gsol/GeneralManager?&catalog_id=2000000003844&design=clean&language=en&action=GetProduct&page=ProductDetail&product_id=1000449985&action=GetPoint&point_id=3000000149681&big=y).

Nietzsche Enterprise Co. Motion sensor Mar. 5, 2005 Ltd[http://www.globalsources.com/gsol/GeneralManager?&design=clean&language=en&page=ProductDetail&product\\_id=8830502566&action=GetProduct&action=GetPoint&point\\_id=3000000149681&catalog\\_id=2000000003844](http://www.globalsources.com/gsol/GeneralManager?&design=clean&language=en&page=ProductDetail&product_id=8830502566&action=GetProduct&action=GetPoint&point_id=3000000149681&catalog_id=2000000003844).

(Continued)

*Primary Examiner*—Cathron C. Brooks

*Assistant Examiner*—Austin Murphy

(74) *Attorney, Agent, or Firm*—Harness, Dickey & Pierce, P.L.C.

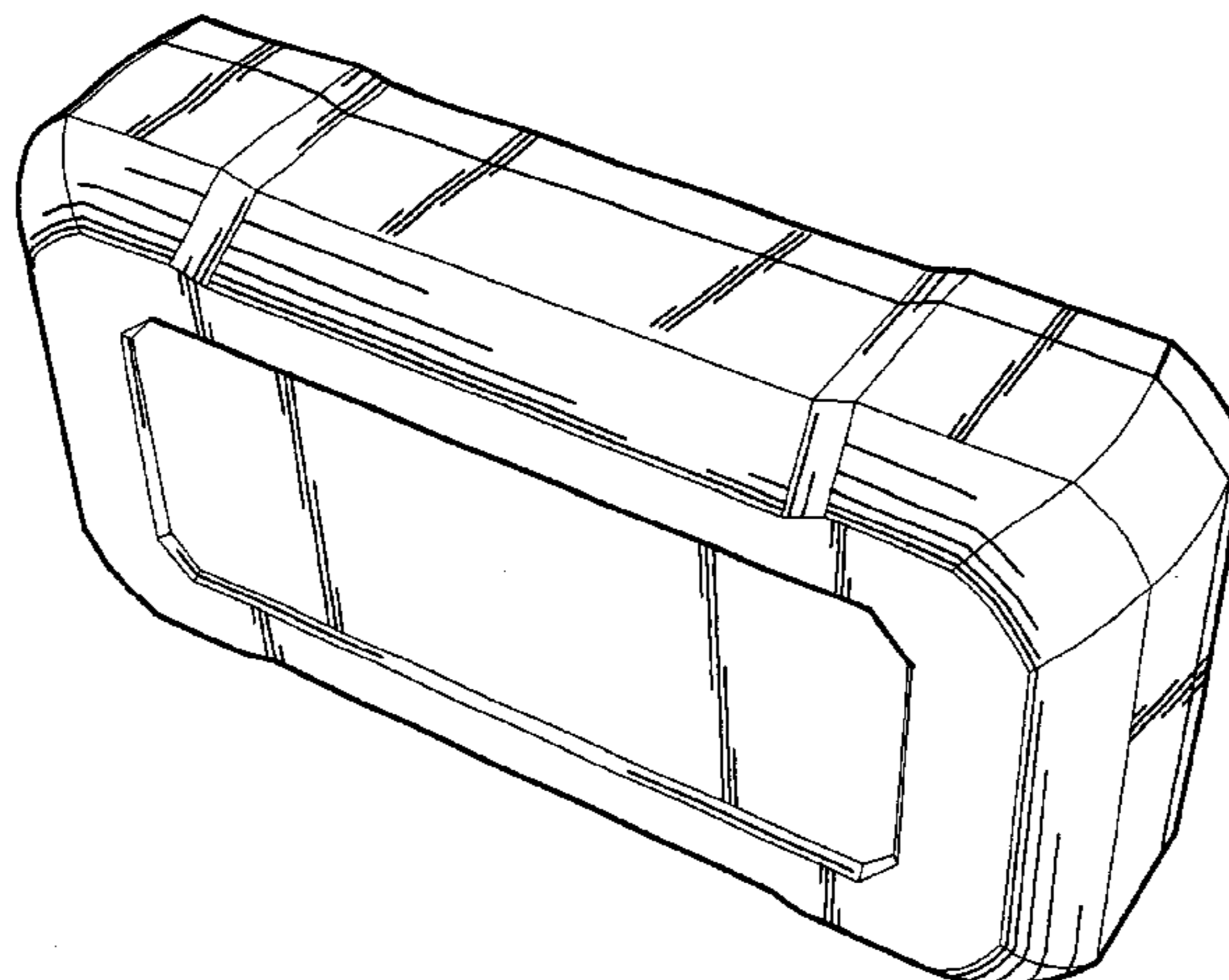
(57) **CLAIM**

The ornamental design for a door/window sensor, as shown and described.

**DESCRIPTION**

FIG. 1 is a perspective view of a door/window sensor in accordance with the present invention;  
FIG. 2 is a front plan view of the door/window sensor of FIG. 1;  
FIG. 3 is a bottom plan view of the door/window sensor of FIG. 1;  
FIG. 4 is a left side plan view of the door/window sensor of FIG. 1;  
FIG. 5 is a rear plan view of the door/window sensor of FIG. 1;  
FIG. 6 is a top plan view of the door/window sensor of FIG. 1; and,  
FIG. 7 is a right side plan view of the door/window sensor of FIG. 1.

**1 Claim, 3 Drawing Sheets**



# US D519,394 S

Page 2

---

## U.S. PATENT DOCUMENTS

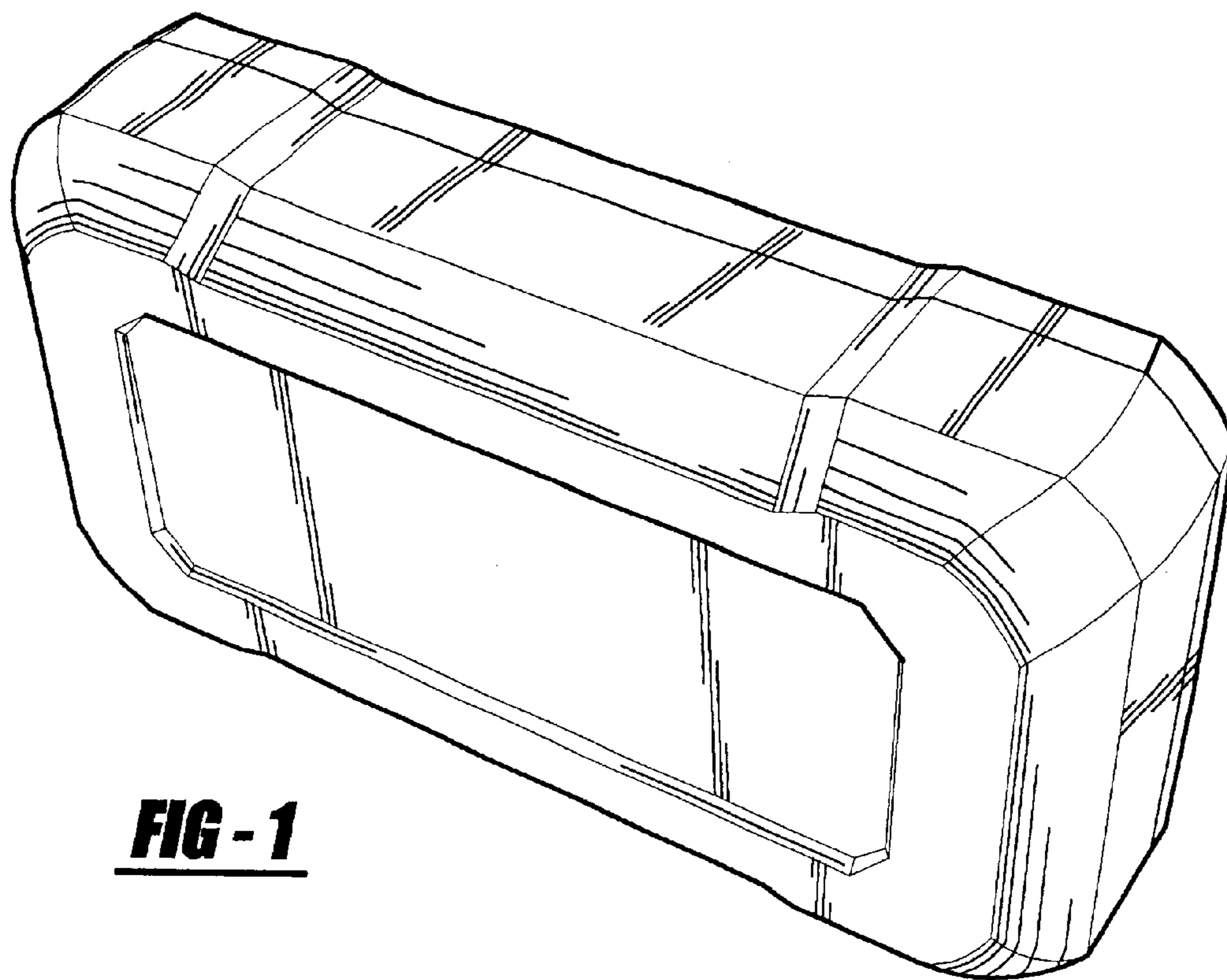
D381,283 S 7/1997 Soreo  
D383,078 S 9/1997 Carmi  
D392,257 S 3/1998 Lecheler et al.  
5,739,753 A 4/1998 Porter  
D398,904 S \* 9/1998 Tamaki et al. .... D14/341  
D399,155 S 10/1998 Roberts  
D404,165 S \* 1/1999 Vakil ..... D26/85  
D409,936 S 5/1999 Baldwin et al.  
D421,403 S 3/2000 Kanzaki  
D426,658 S \* 6/2000 Yuen ..... D26/26  
D430,055 S 8/2000 Aiello et al.  
D432,503 S 10/2000 Taylor  
D455,406 S 4/2002 Pinchuk

D467,890 S \* 12/2002 Lai et al. .... D14/138  
D485,774 S 1/2004 Hwang et al.  
D505,676 S \* 5/2005 Porter et al. .... D14/388  
2005/0030180 A1 2/2005 Pantus et al.

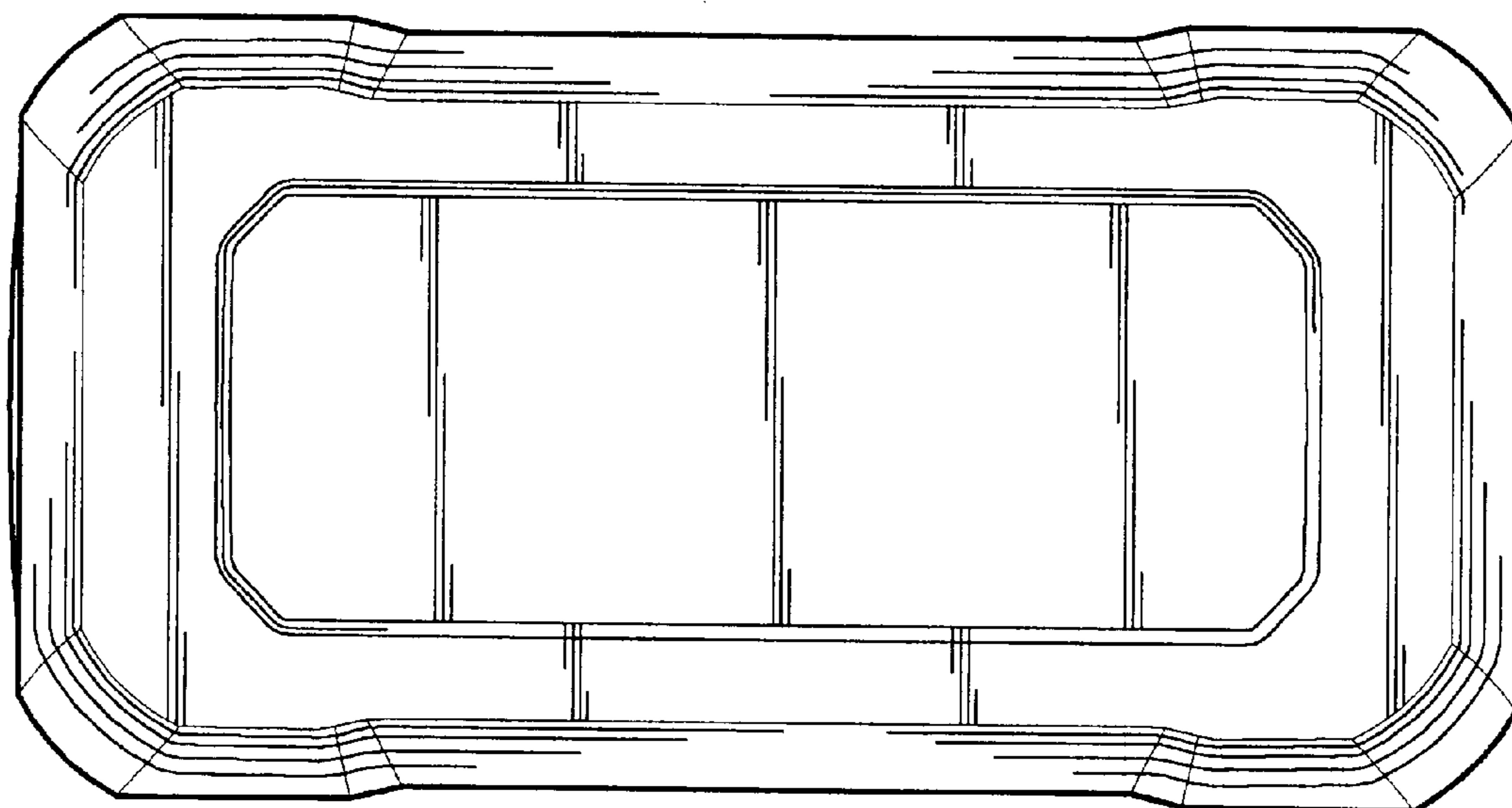
## OTHER PUBLICATIONS

Longhorn Industrial Motion Sensor Mar. 5, 2005 [http://www.globalsources.com/gsol/GeneralManager?&catalog\\_id=2000000003844&design=clean&language=en&action=GetProduct&page=ProductDetail&product\\_id=1000610597&action=GetPoint&point\\_id=3000000149681&big=y](http://www.globalsources.com/gsol/GeneralManager?&catalog_id=2000000003844&design=clean&language=en&action=GetProduct&page=ProductDetail&product_id=1000610597&action=GetPoint&point_id=3000000149681&big=y).

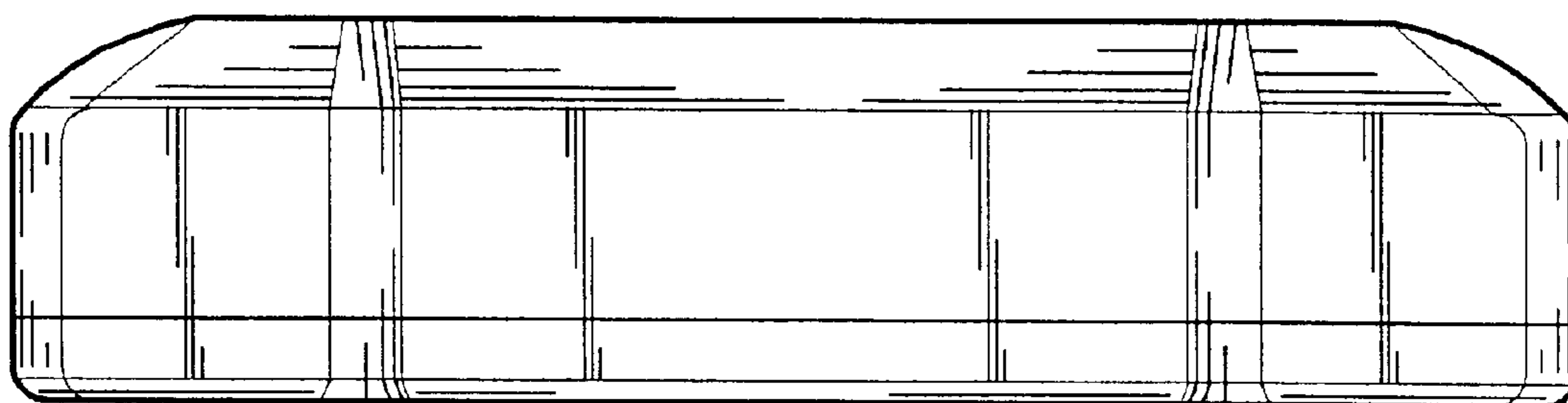
\* cited by examiner



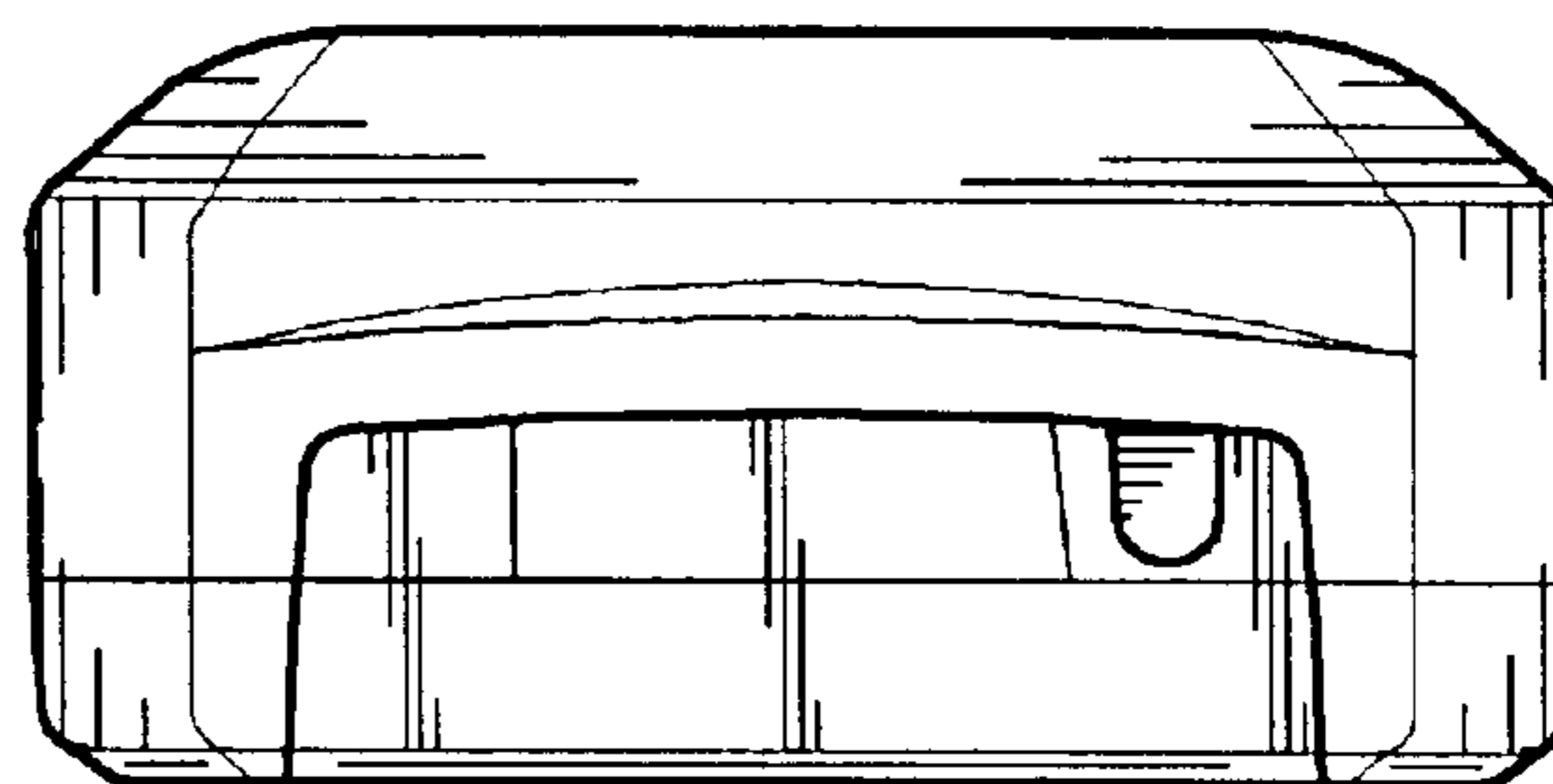
**FIG - 1**



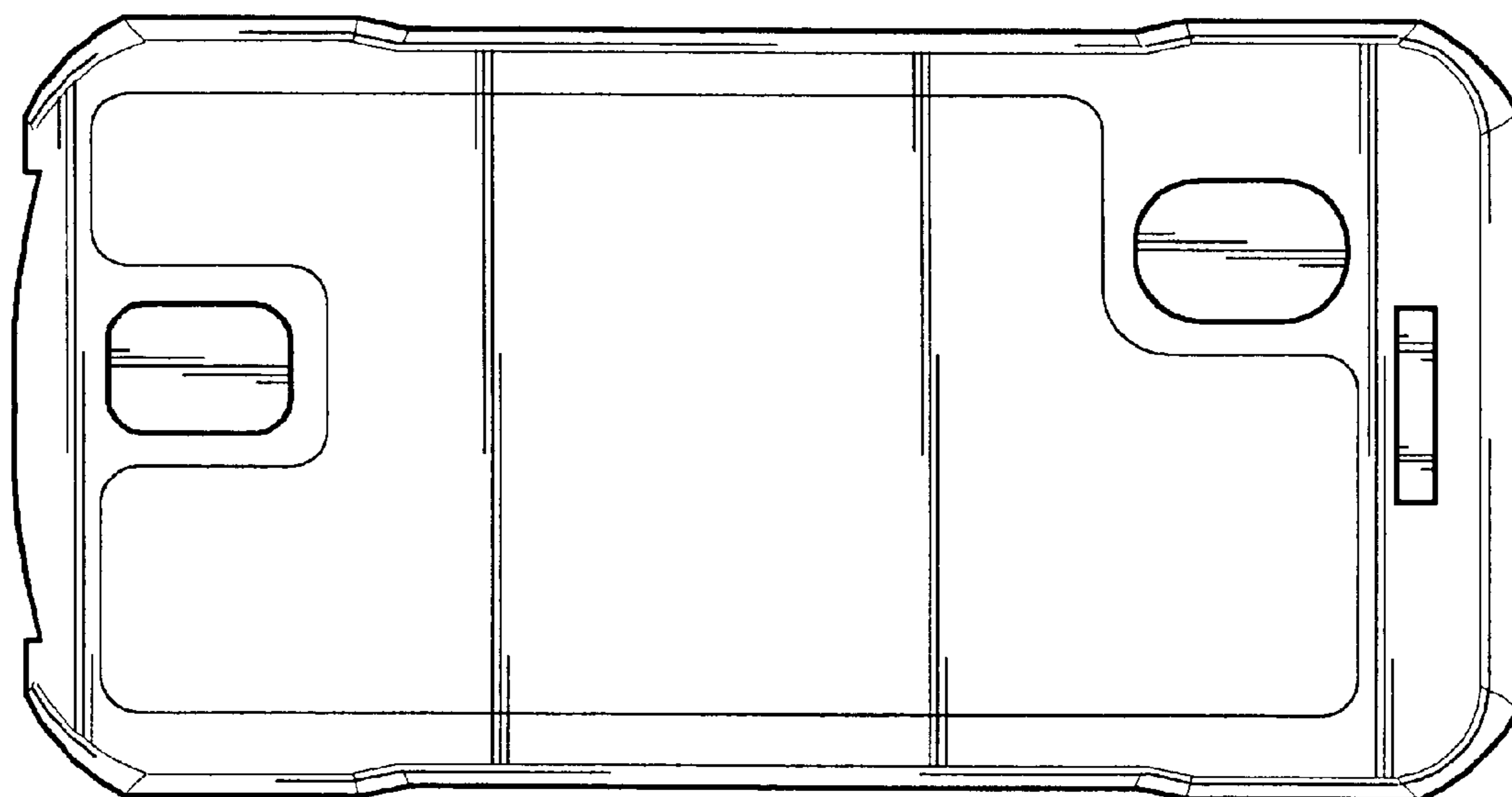
**FIG - 2**



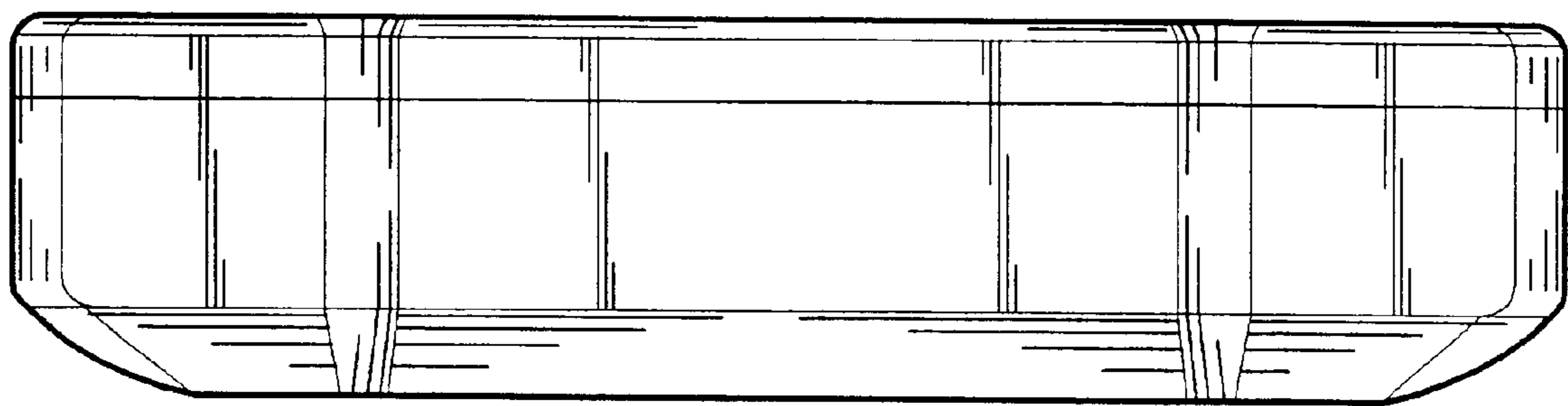
**FIG - 3**



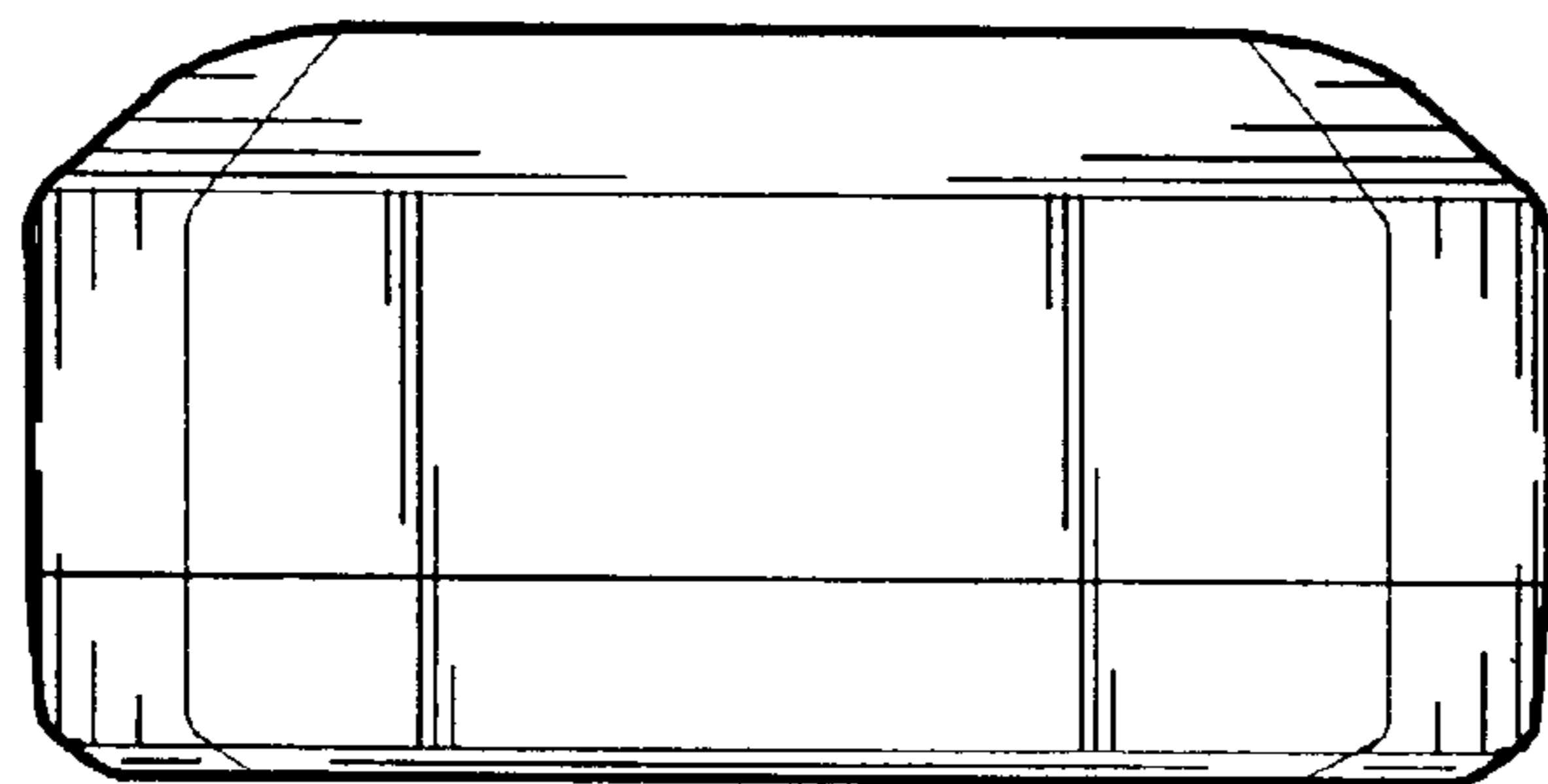
**FIG - 4**



**FIG - 5**



**FIG - 6**



**FIG - 7**