



US00D519393S

(12) **United States Design Patent**
Levinson

(10) **Patent No.:** **US D519,393 S**

(45) **Date of Patent:** **** Apr. 25, 2006**

(54) **SPIRIT LEVEL END CAP**

(75) Inventor: **Amy Levinson**, Upper Galilee (IL)

(73) Assignee: **Kapro Industries Ltd.**, M.P. Beit
Hakerem (IL)

(**) Term: **14 Years**

(21) Appl. No.: **29/211,642**

(22) Filed: **Aug. 19, 2004**

(51) **LOC (8) Cl.** **10-04**

(52) **U.S. Cl.** **D10/69**

(58) **Field of Classification Search** D10/69;
33/365, 366.11-366.27, 367-391

See application file for complete search history.

(56) **References Cited**

U.S. PATENT DOCUMENTS

D222,722 S * 12/1971 Ostrager D10/69

* cited by examiner

Primary Examiner—Antoine D. Davis

(74) *Attorney, Agent, or Firm*—Nath & Associates PLLC;
Harold L. Novick

(57) **CLAIM**

The ornamental design for a spirit level end cap, as shown and described.

DESCRIPTION

FIG. 1 is a perspective view of a spirit level including an end cap of the present invention;

FIG. 2 is a perspective view of the end cap of FIG. 1;

FIG. 3 is a front or rear view thereof;

FIG. 4 is a top view thereof;

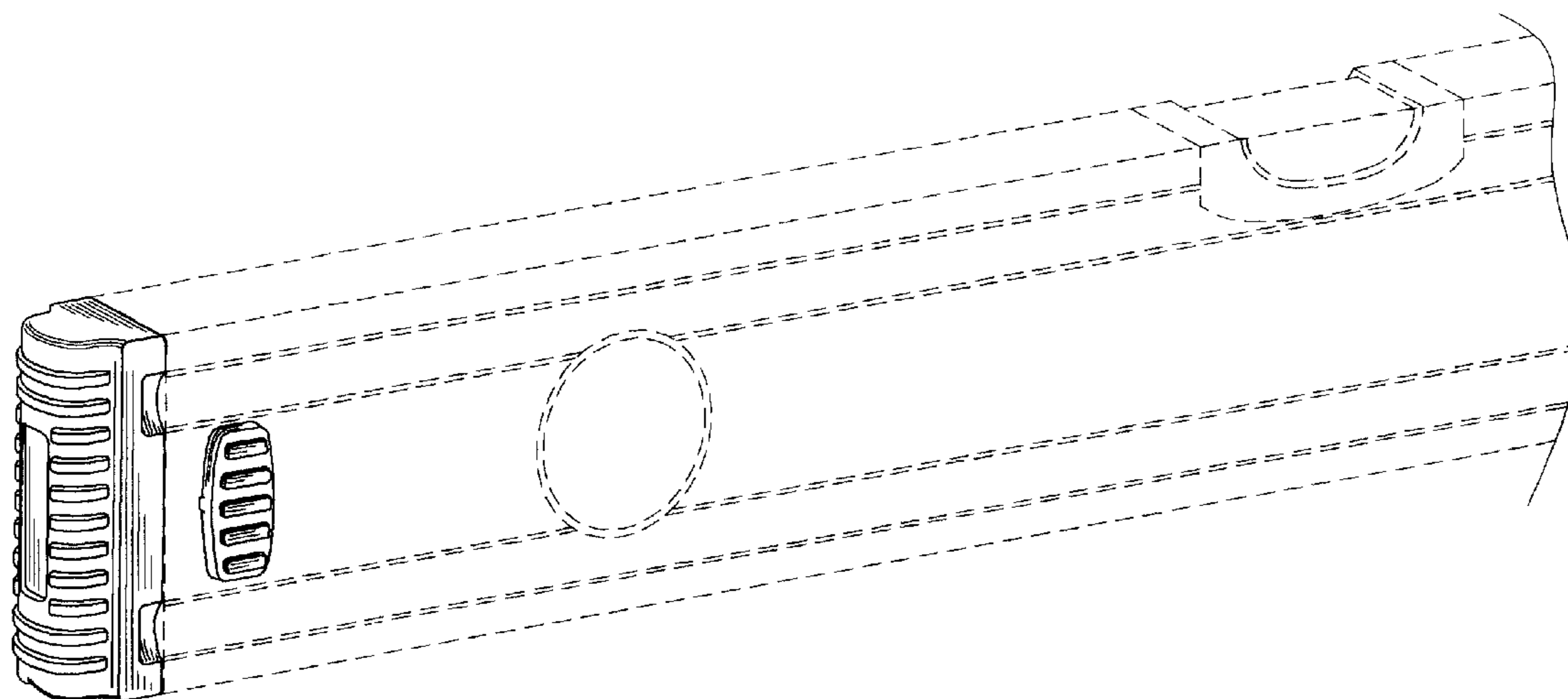
FIG. 5 is a bottom view thereof;

FIG. 6 is a left view thereof; and,

FIG. 7 is a right view thereof.

The broken line showing is for illustrative purposes only and forms no part of the claimed design.

1 Claim, 4 Drawing Sheets



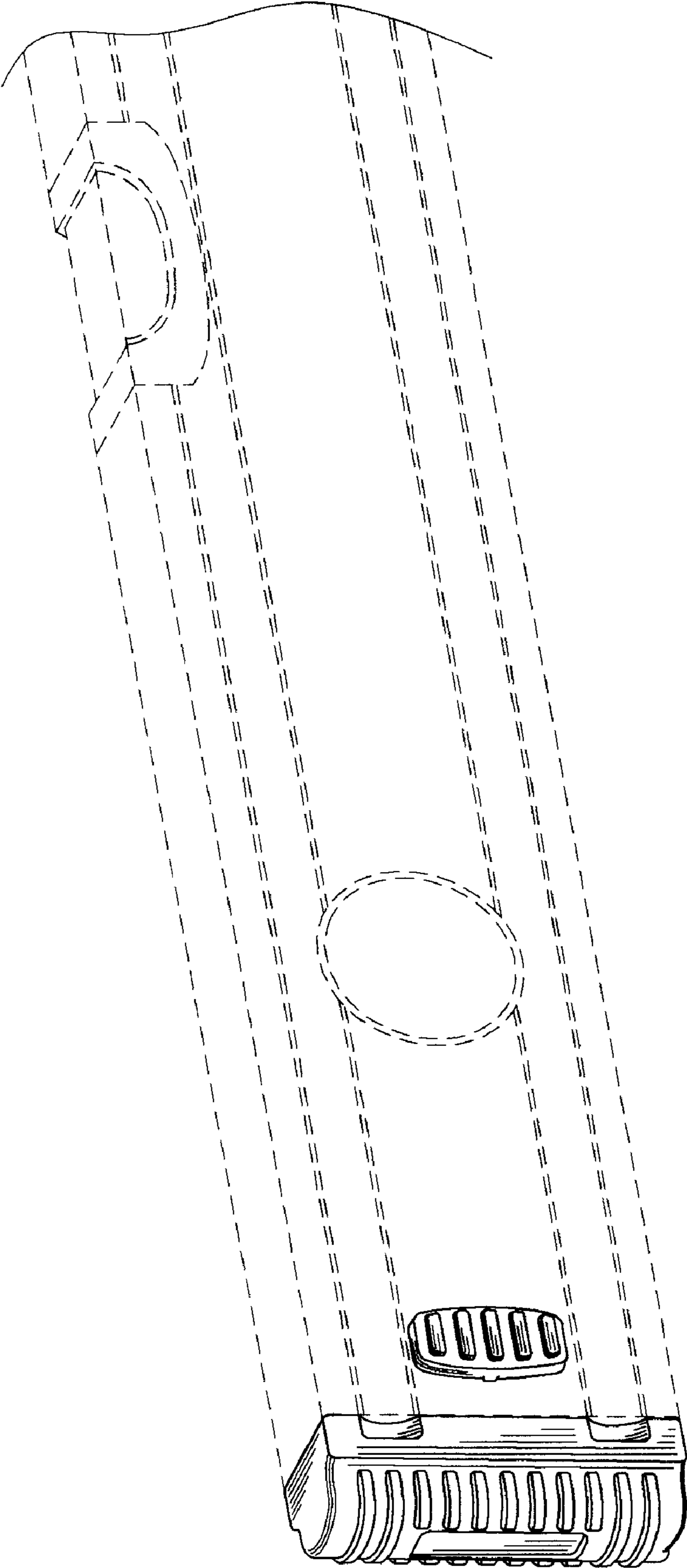


FIG.1

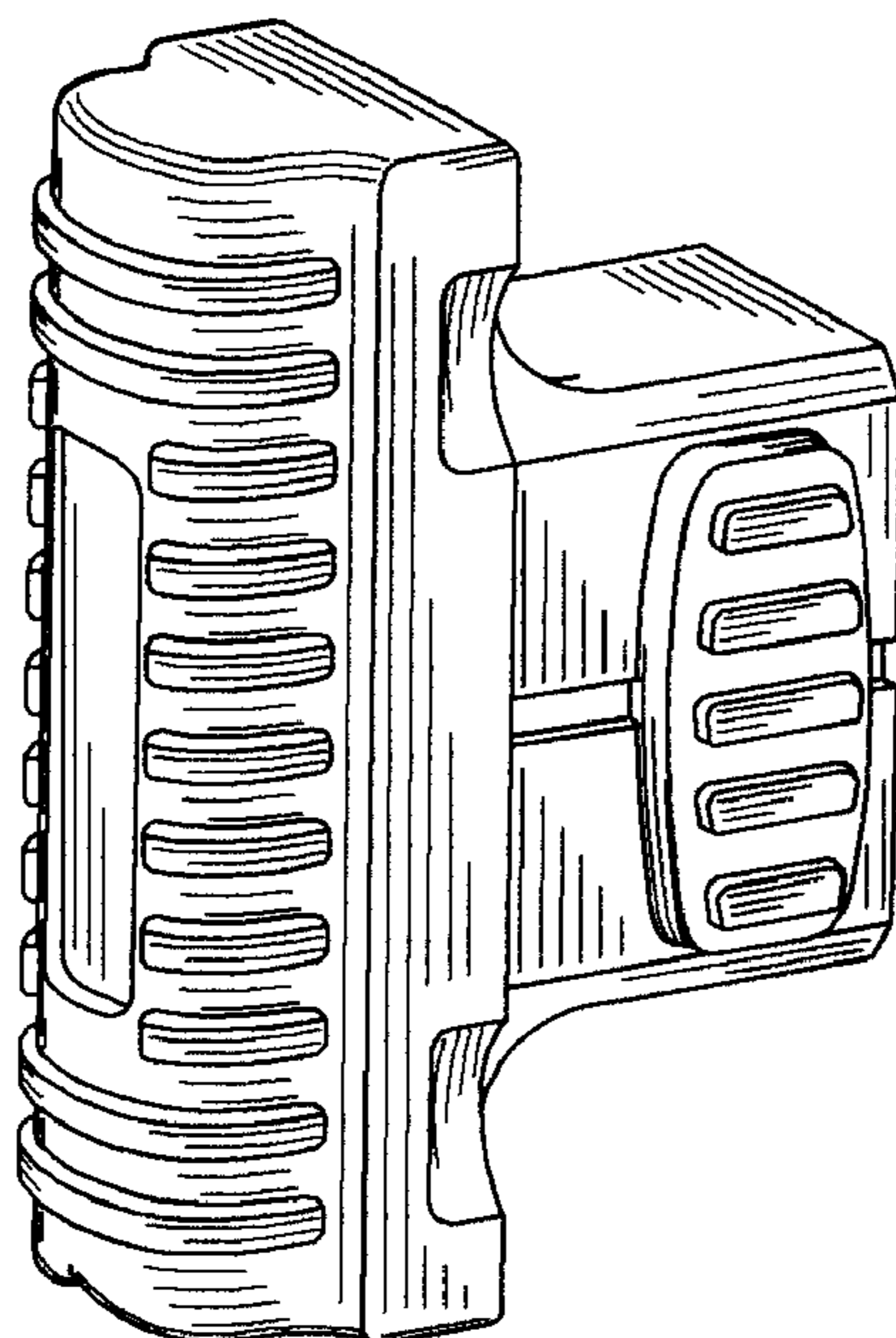


FIG. 2

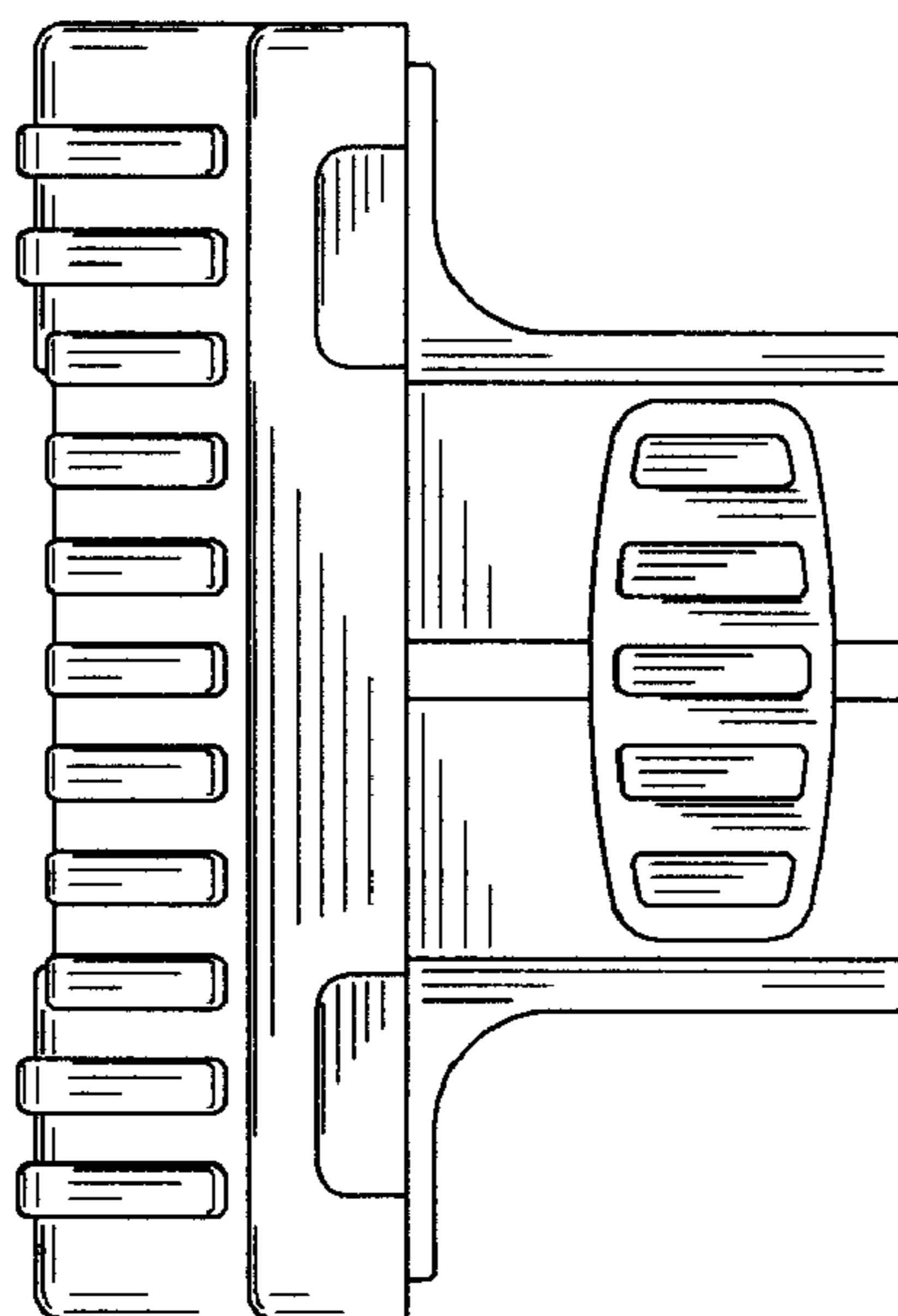


FIG. 3

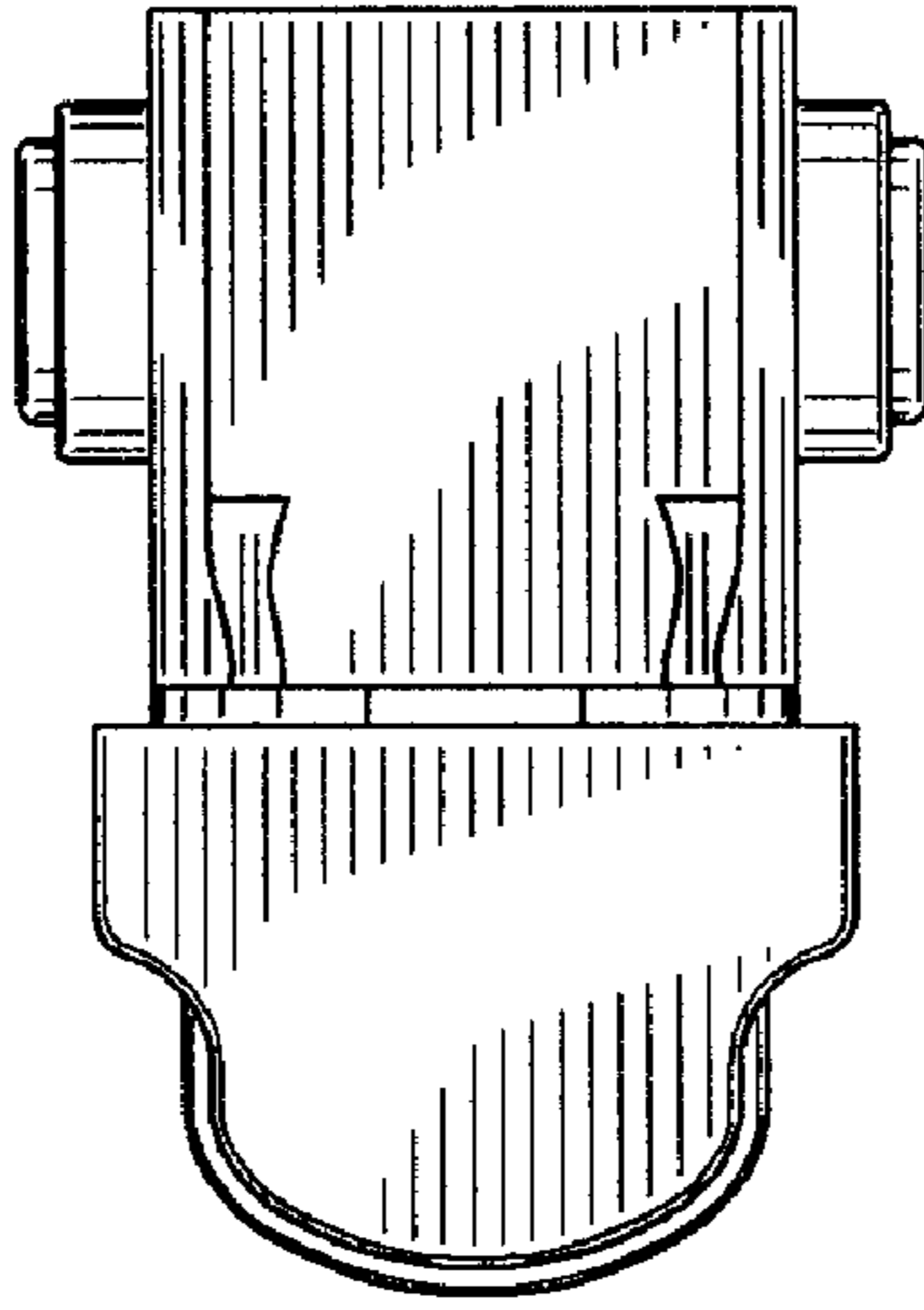


FIG. 4

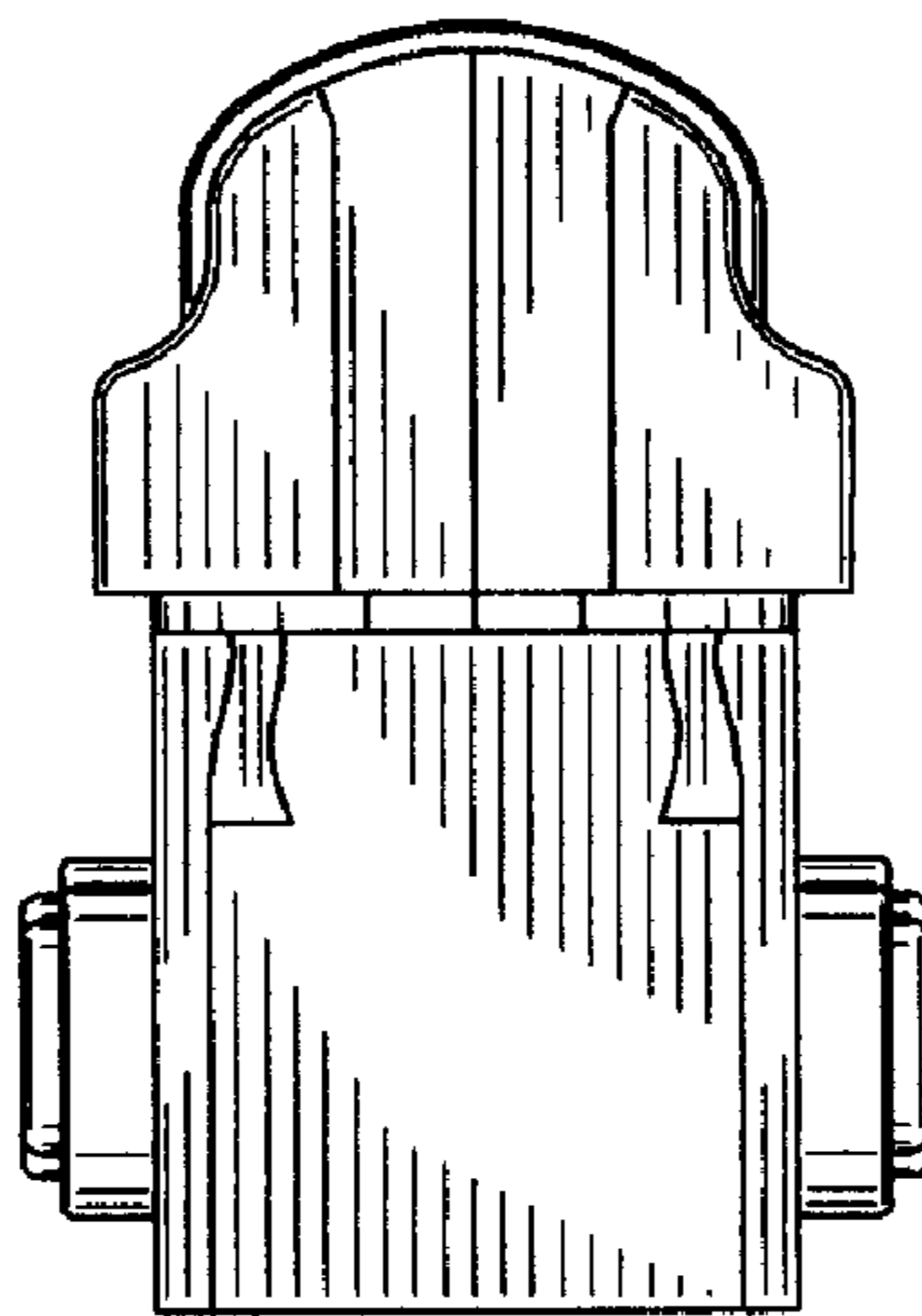


FIG. 5

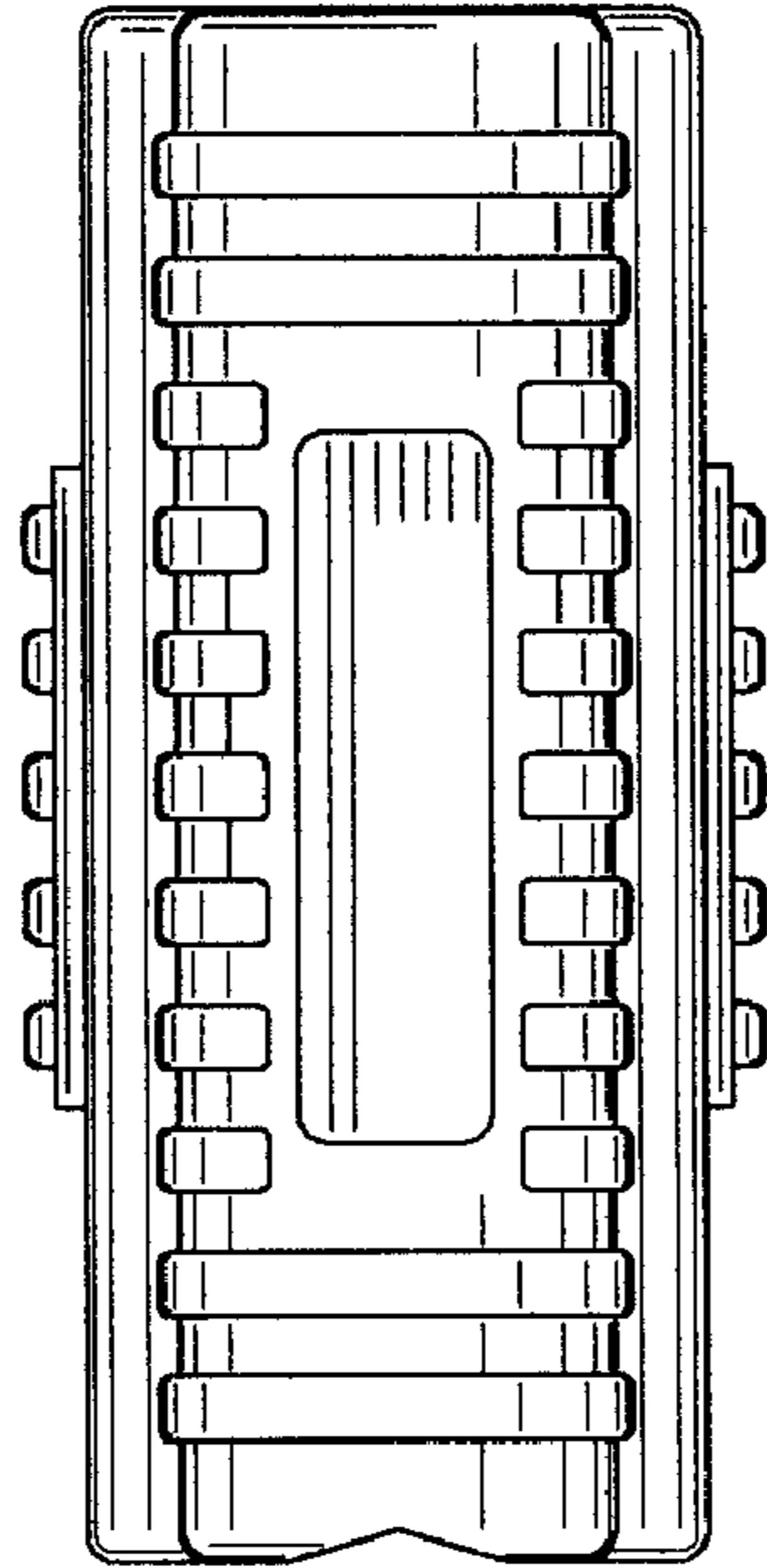


FIG. 6

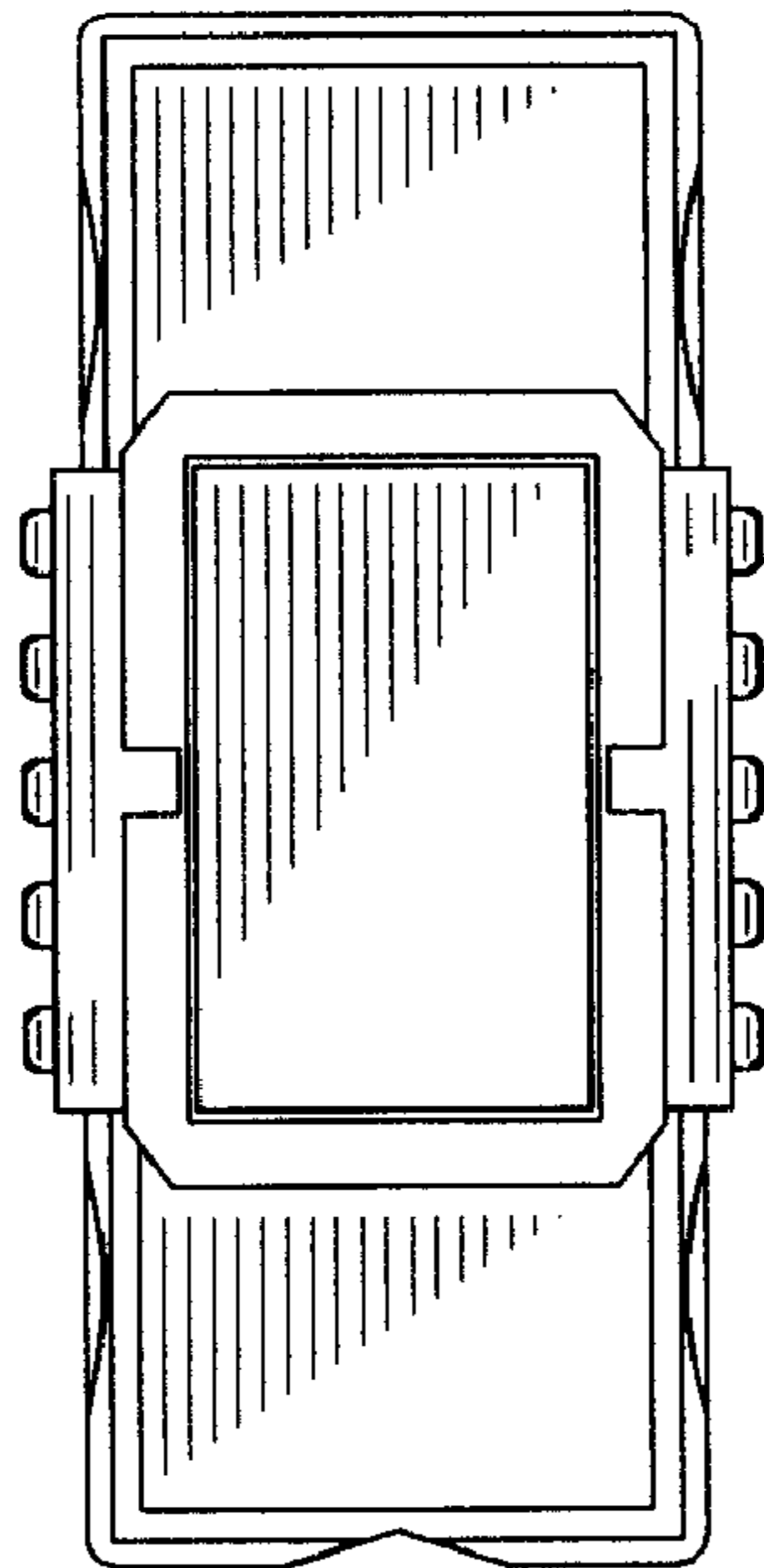


FIG. 7