



US00D519392S

(12) **United States Design Patent**
Ishii et al.

(10) **Patent No.:** **US D519,392 S**
(45) **Date of Patent:** **** Apr. 25, 2006**

(54) **SATELLITE SURVEYING RECEIVER**

(75) Inventors: **Mitsuo Ishii**, Itabashi-ku (JP); **Takaaki Yamazaki**, Itabashi-ku (JP)

(73) Assignee: **Kabushiki Kaisha Topcon**, Tokyo (JP)

(**) Term: **14 Years**

(21) Appl. No.: **29/211,019**

(22) Filed: **Aug. 11, 2004**

(30) **Foreign Application Priority Data**

Feb. 16, 2004 (JP) D2004-003940
Feb. 16, 2004 (JP) D2004-003941

(51) **LOC (8) Cl.** **10-04**

(52) **U.S. Cl.** **D10/65**

(58) **Field of Classification Search** D10/66,
D10/69, 65; 342/357.06–357.09, 357.01,
342/357.11–357.14, 27, 438, 439; 701/29,
701/216, 34, 36; 244/158.4; 324/210–213,
324/260, 326, 345; 307/9.1; 340/990, 993

See application file for complete search history.

(56) **References Cited**

U.S. PATENT DOCUMENTS

3,919,686 A * 11/1975 Narbaits-Jaureguy et al. ... 340/

993
5,785,279 A * 7/1998 Gregory 244/158.4
D440,890 S * 4/2001 Warner et al. D10/65
D467,511 S * 12/2002 Kitamura et al. D10/65
D487,023 S * 2/2004 Takahashi D10/65
6,823,244 B1 * 11/2004 Breed 701/29
6,841,994 B1 * 1/2005 Wiegert 324/244

* cited by examiner

Primary Examiner—Antoine D. Davis

(74) *Attorney, Agent, or Firm*—Jacobson Holmam PLLC

(57) **CLAIM**

The ornamental design for a satellite surveying receiver, as shown and described.

DESCRIPTION

FIG. 1 is a perspective view from above right of the first embodiment of the receiver according to our novel design; FIG. 2 is a front view of the receiver of FIG. 1; FIG. 3 is a rear view of the receiver of FIG. 1; FIG. 4 is a left side view of the receiver of FIG. 1; FIG. 5 is a right side view of the receiver of FIG. 1; FIG. 6 is a plan view of the receiver of FIG. 1; and, FIG. 7 is a bottom view of the receiver of FIG. 1.

The broken line showing in the figures is for illustrative purposes only and forms no part of the claimed design.

1 Claim, 4 Drawing Sheets

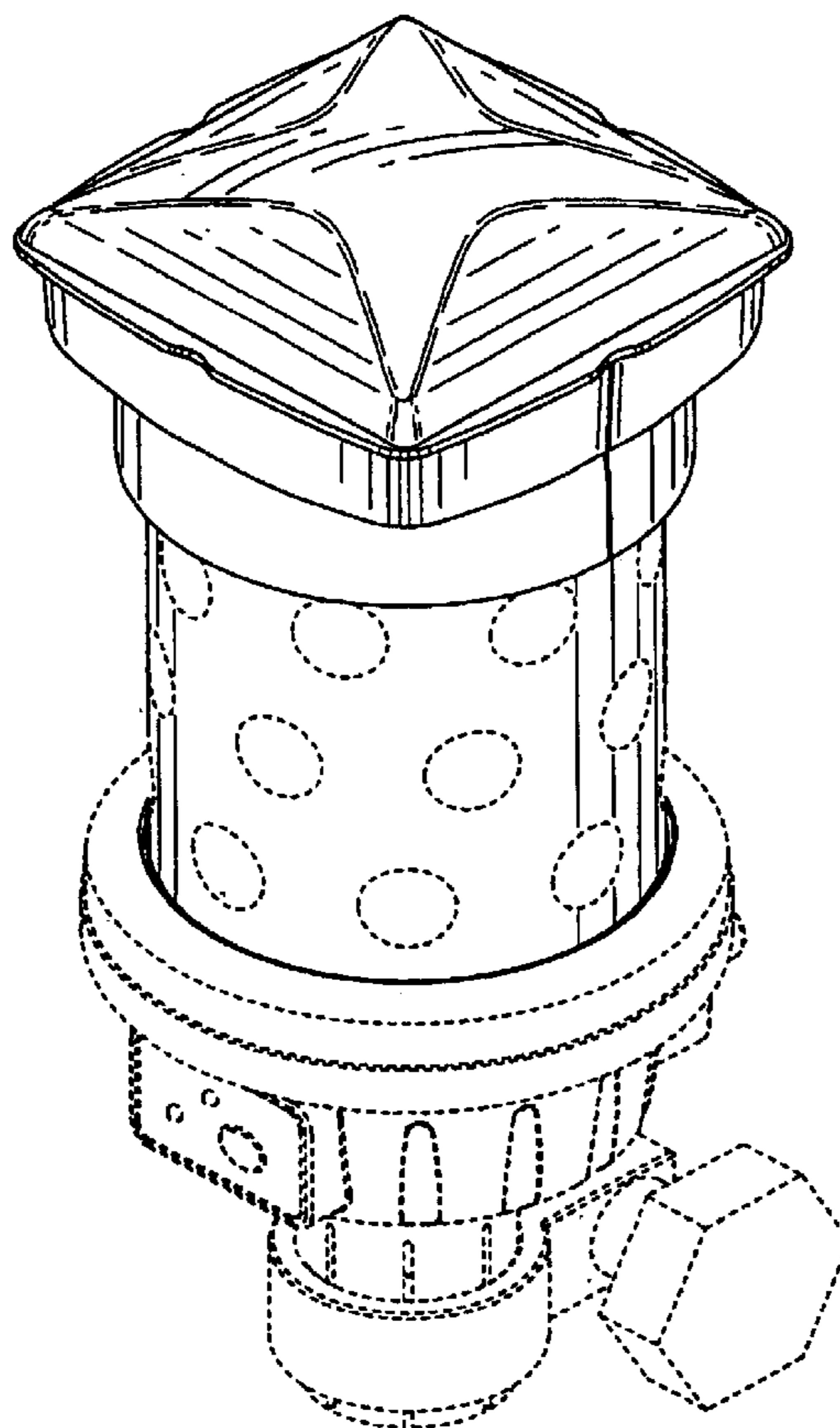


FIG. 1

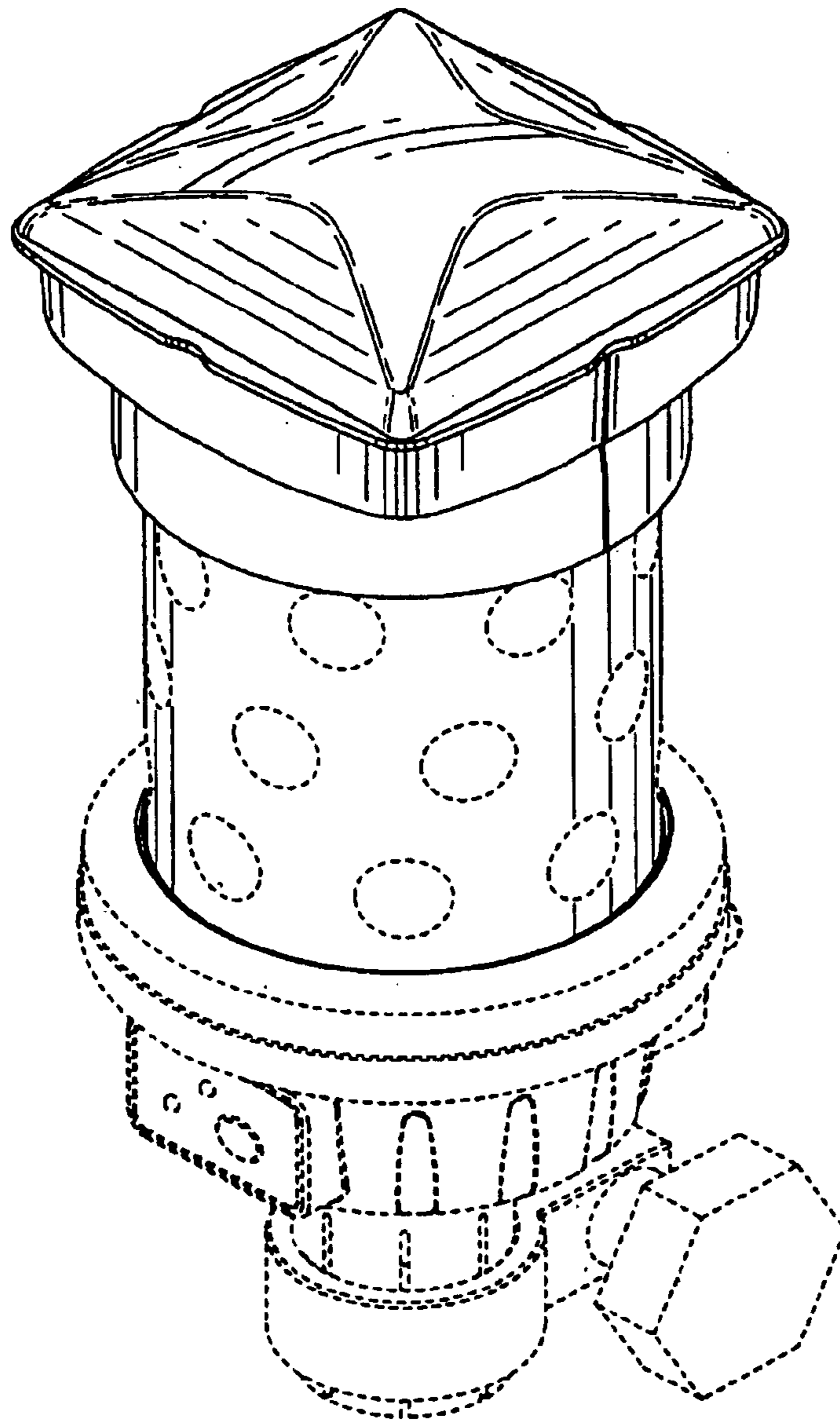


FIG.2

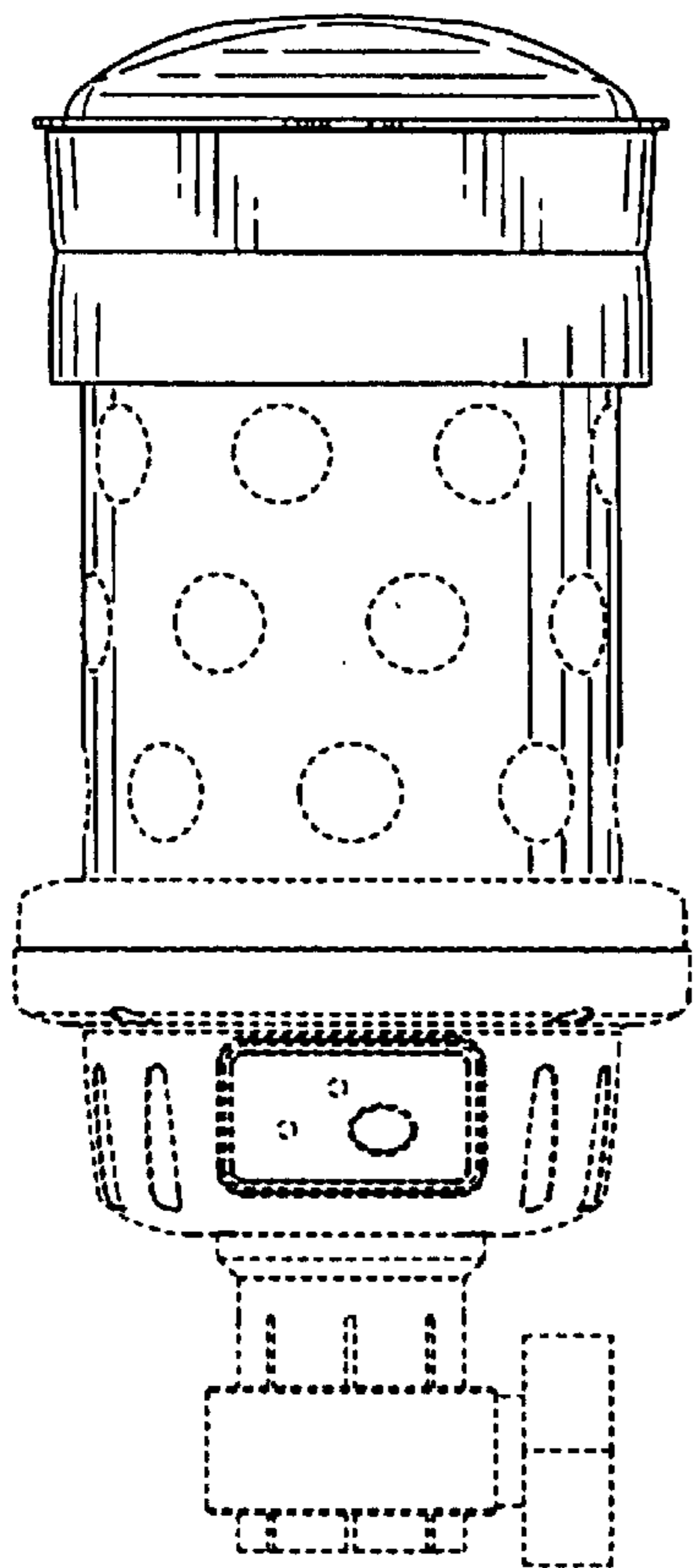


FIG.3

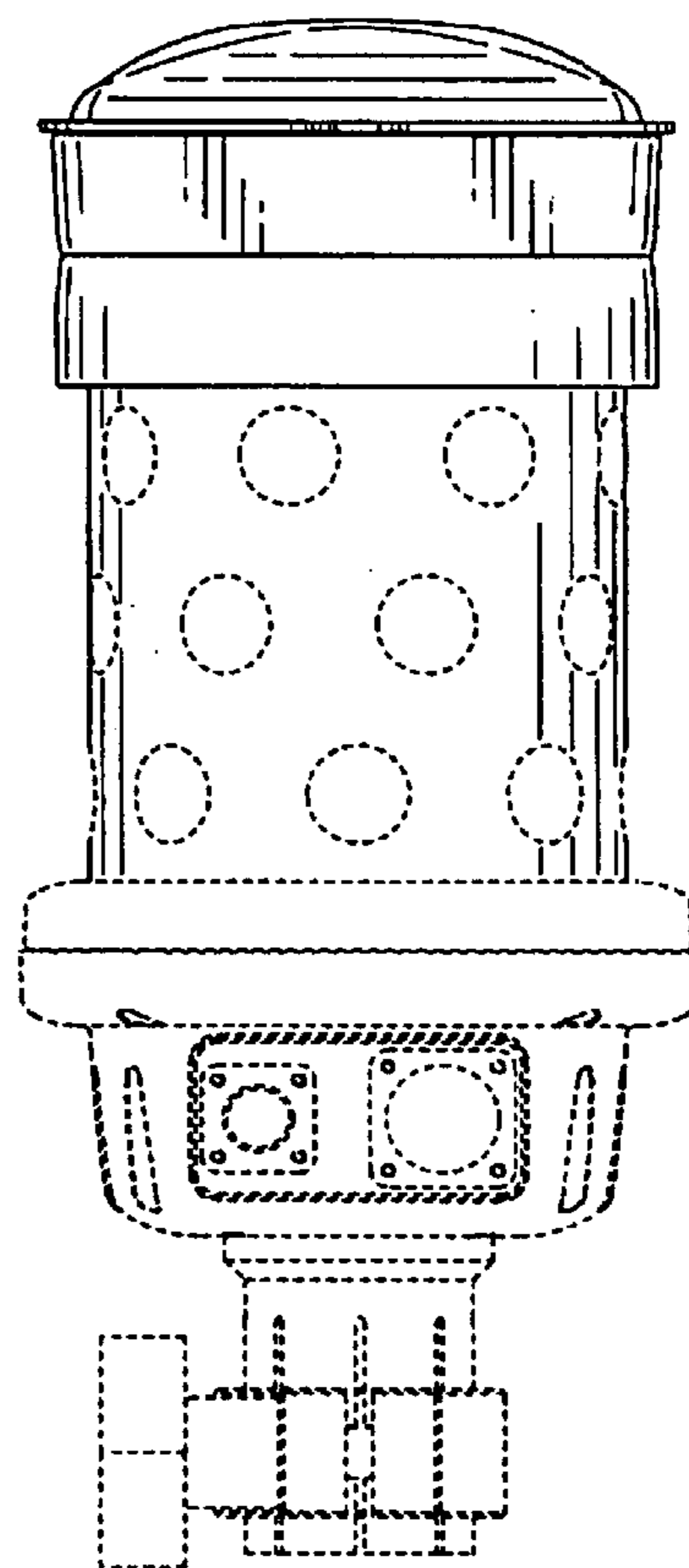


FIG.4

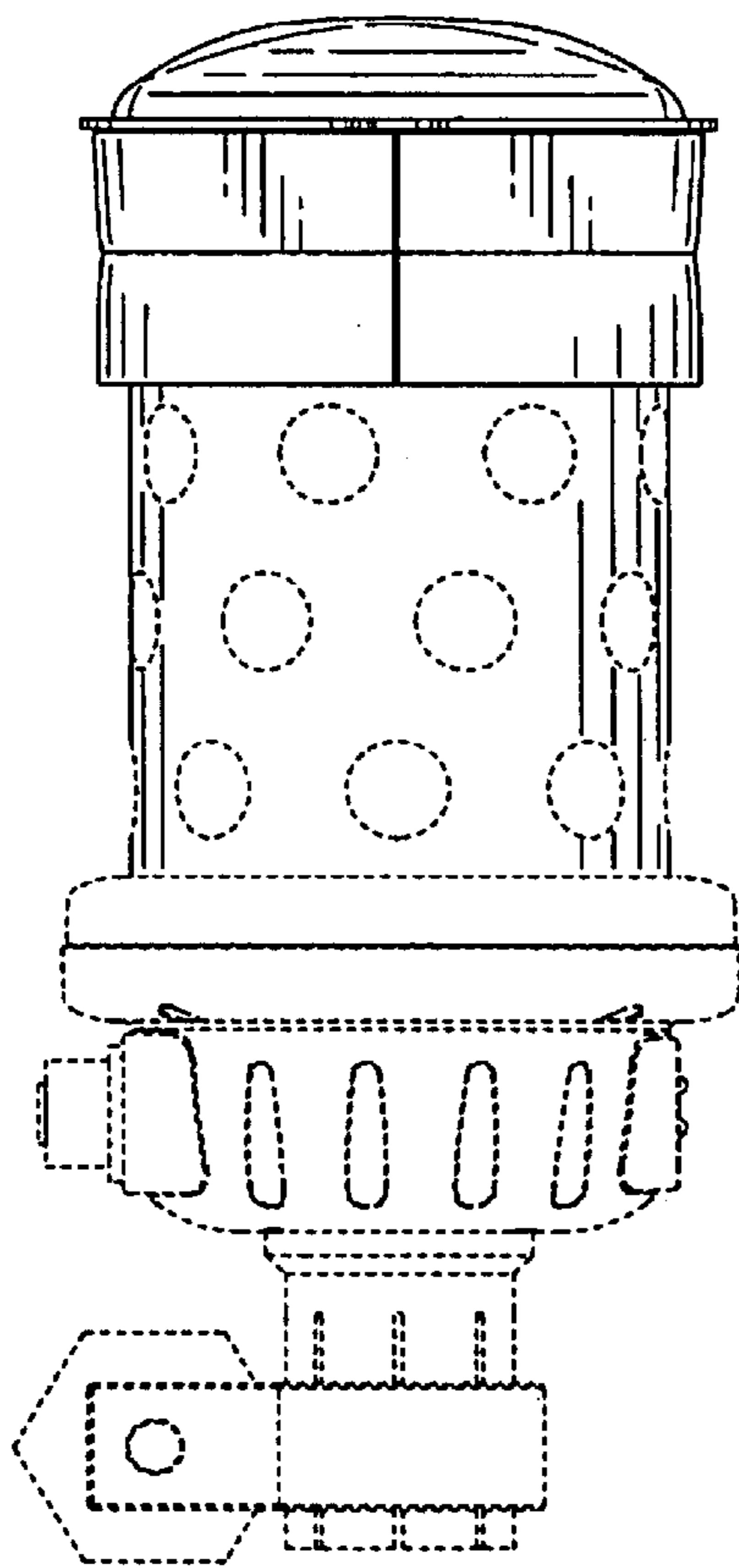


FIG.5

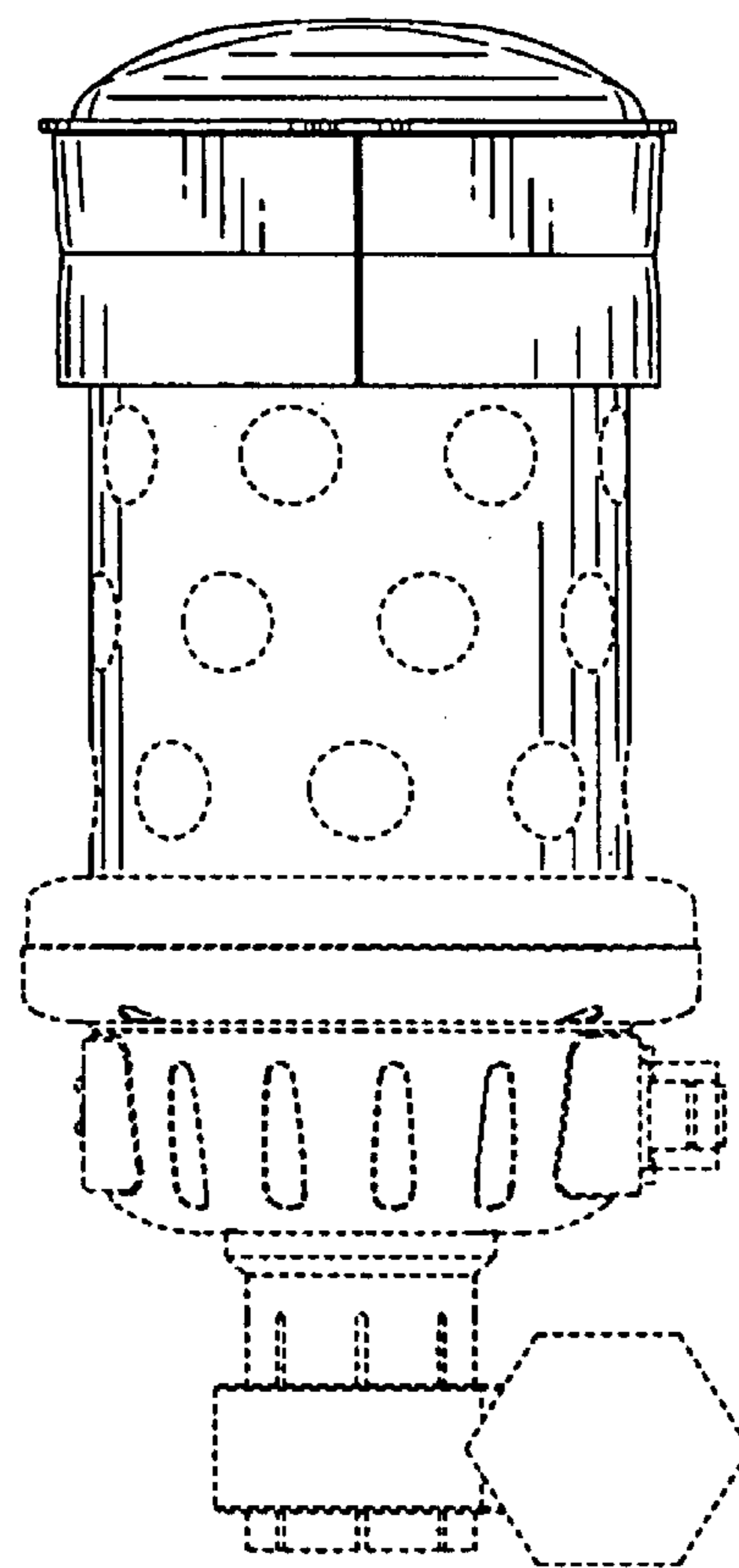


FIG.6

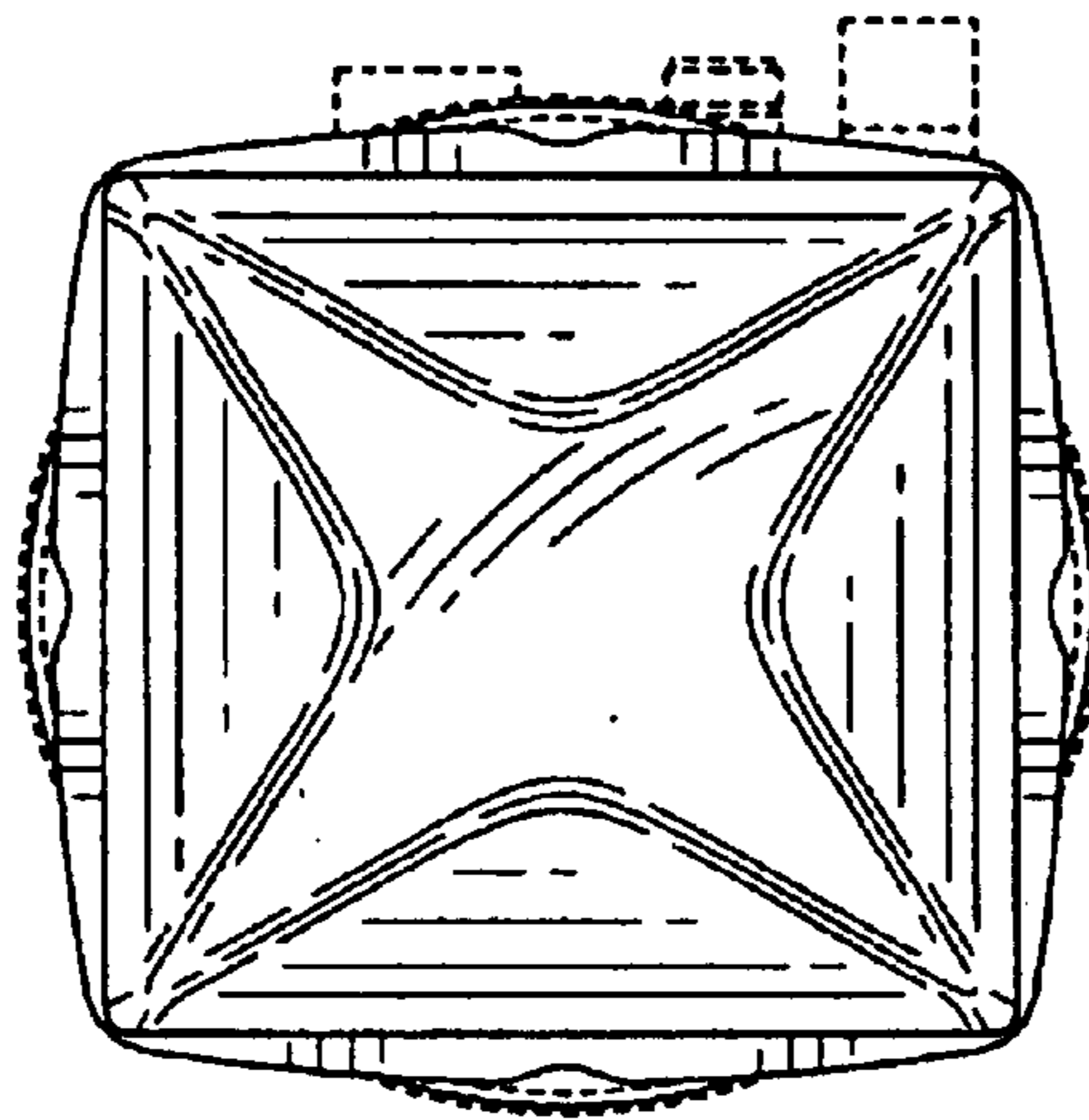


FIG.7

