



US00D519388S

(12) **United States Design Patent**  
**Calvani**

(10) **Patent No.:** **US D519,388 S**  
(45) **Date of Patent:** **\*\* Apr. 25, 2006**

- (54) **WATCH CASE WITH ENGRAVED CHARACTERS ON FLANGE**
- (75) Inventor: **Maria Cristina Calvani**, Coligny (CH)
- (73) Assignee: **Rolex Watch U.S.A., Inc.**, New York, NY (US)
- (\*\*) Term: **14 Years**

(21) Appl. No.: **29/197,956**

(22) Filed: **Jan. 21, 2004**

(30) **Foreign Application Priority Data**

Jul. 21, 2003 (CH) ..... 129873

(51) **LOC (8) Cl.** ..... **10-02**

(52) **U.S. Cl.** ..... **D10/30**

(58) **Field of Classification Search** ..... D10/30-39,  
D10/122-132; 368/280-283, 82-84, 28-30,  
368/21, 239-242, 276-278, 228-236, 285-287,  
368/238, 113, 294, 295, 223, 80, 292, 110

See application file for complete search history.

(56) **References Cited**

**U.S. PATENT DOCUMENTS**

2,361,563	A	*	10/1944	Pellaton	.....	368/80
D178,771	S	*	9/1956	Doerwald	.....	D10/39
D221,289	S	*	7/1971	VanHanftan		
D326,419	S	*	5/1992	Bulgari	.....	D10/39
D327,022	S	*	6/1992	Bulgari	.....	D10/39
D350,071	S	*	8/1994	Giardiello	.....	D10/32
D353,108	S	*	12/1994	Rabassa	.....	D10/32
D365,526	S	*	12/1995	Gardner	.....	D10/39
D371,077	S	*	6/1996	Terashima	.....	D10/30
D417,627	S		12/1999	Spandrio et al.		
D438,472	S	*	3/2001	Fichter	.....	D10/39
D443,527	S		6/2001	Jacob et al.		
6,570,823	B1	*	5/2003	Gilomen et al.	.....	368/113
D488,724	S	*	4/2004	Bertucci	.....	D10/30
D500,955	S	*	1/2005	Sabarthes et al.	.....	D10/39
D502,413	S	*	3/2005	Sugiura et al.	.....	D10/39

**OTHER PUBLICATIONS**

*Timex Expedition watch design* (1 sheets), 1997-2004  
Timex Corporation.

*Bulgari Automatic watch design* (1 sheet), www.horlogerie-suisse.com (no date).

*Bulgari watch designs: AT35WGLDAUTO and AT26WGLD* (1 sheet) (no date).

*International Heure catalog*, vol. No. 69, Apr./May 2004 (5 pages).

*Audemars Piguet watch design*, May 2002, (1 sheets).

*Tissot T-Race, T90.4.596.81 watch design*, from Tissot, Swiss watches since 1853—Official site (1 sheet).

*Le Chronographe Mille Miglia GMT 2004 watch design* (1 sheet) (no date).

*“La Ronde” watch designs by Chanel* (3 sheets) (no date).  
*Mauboussin watch design* (1 sheet) (no date).

\* cited by examiner

*Primary Examiner*—Lucy Lieberman

(74) *Attorney, Agent, or Firm*—Morgan & Finnegan, LLP

(57) **CLAIM**

I claim the ornamental design for a watch case with engraved characters on flange, as shown and described.

**DESCRIPTION**

FIG. 1 is a front plan view of a design for the watch case with engraved characters on flange;

FIG. 2 is a bottom plan view of the claimed design;

FIG. 3 is a back plan view thereof;

FIG. 4 is a top plan view thereof;

FIG. 5 is a left side view thereof;

FIG. 6 is a right side view thereof;

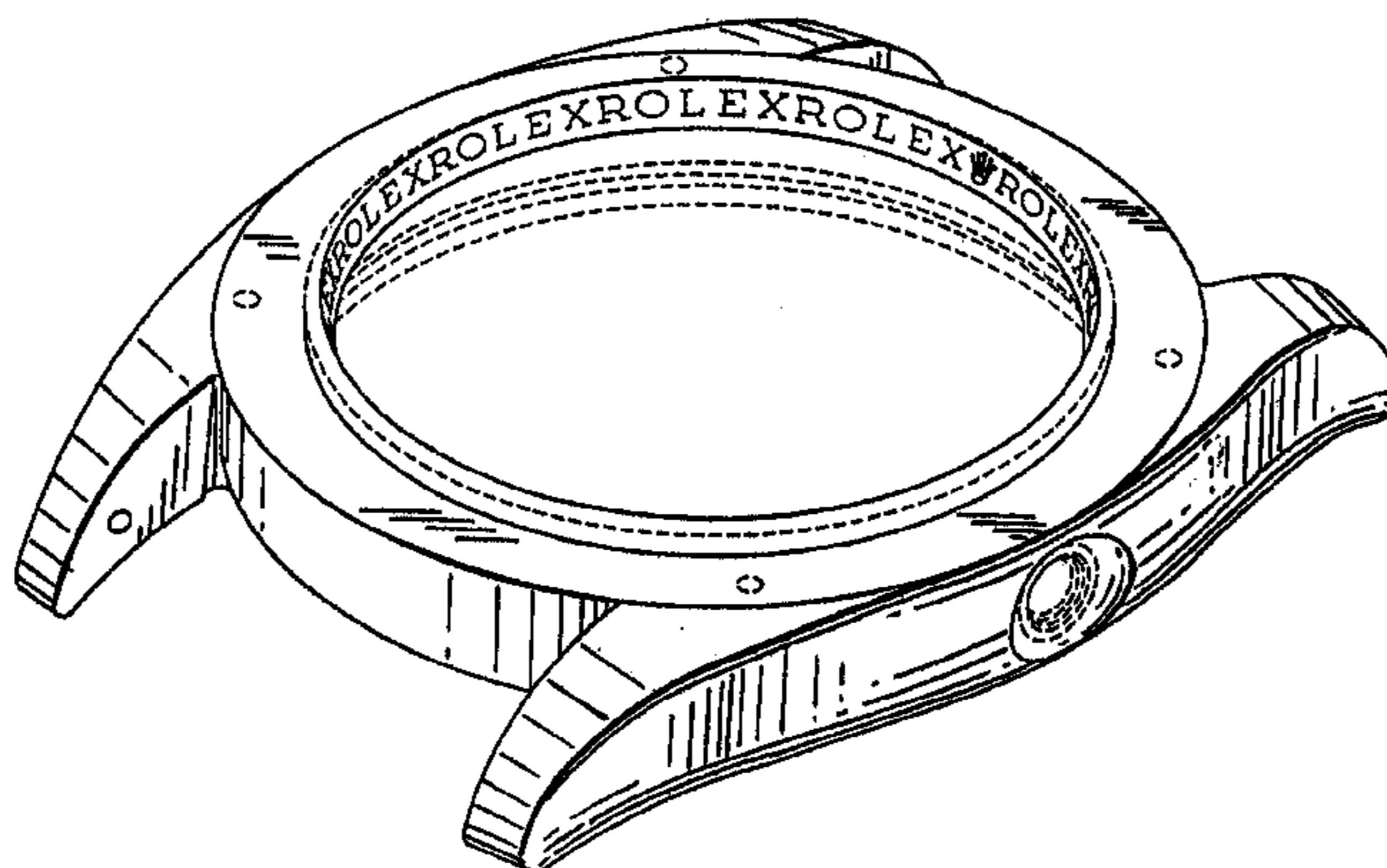
FIG. 7 is a perspective view showing the front, bottom and right sides and a first portion of the flange of FIG. 1 thereof; and,

FIG. 8 is a perspective view showing the front, top and left sides; and a second portion of the flange of FIG. 1 thereof.

The broken line disclosure in the drawings is for illustrative purposes only and forms no part of the claimed design.

The engraved flange comprises a repeating sequence of characters positioned to provide the appearance of minute indicators and a different character located at, and denoting, the “12 o’clock” position.

**1 Claim, 4 Drawing Sheets**



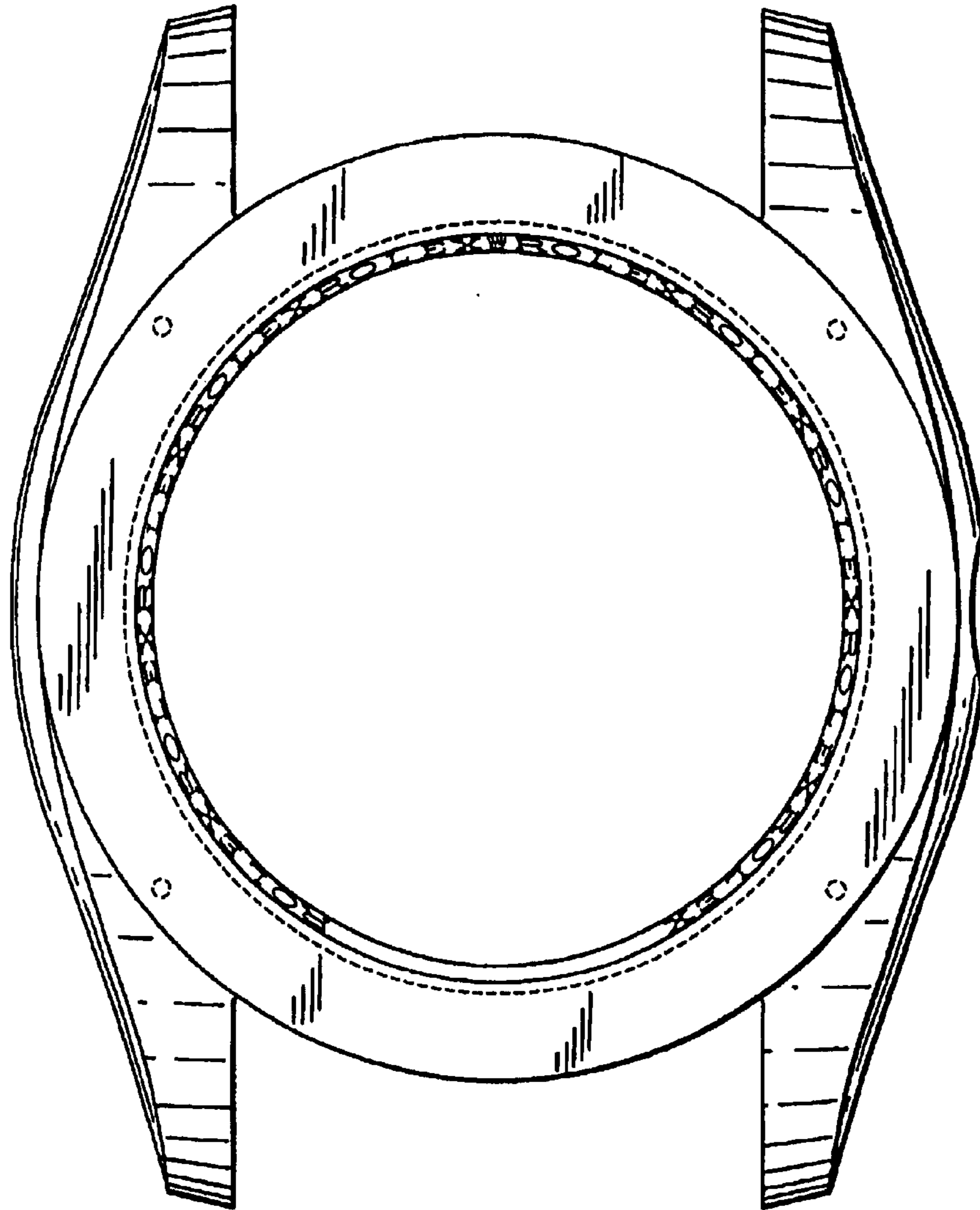


FIG. 1

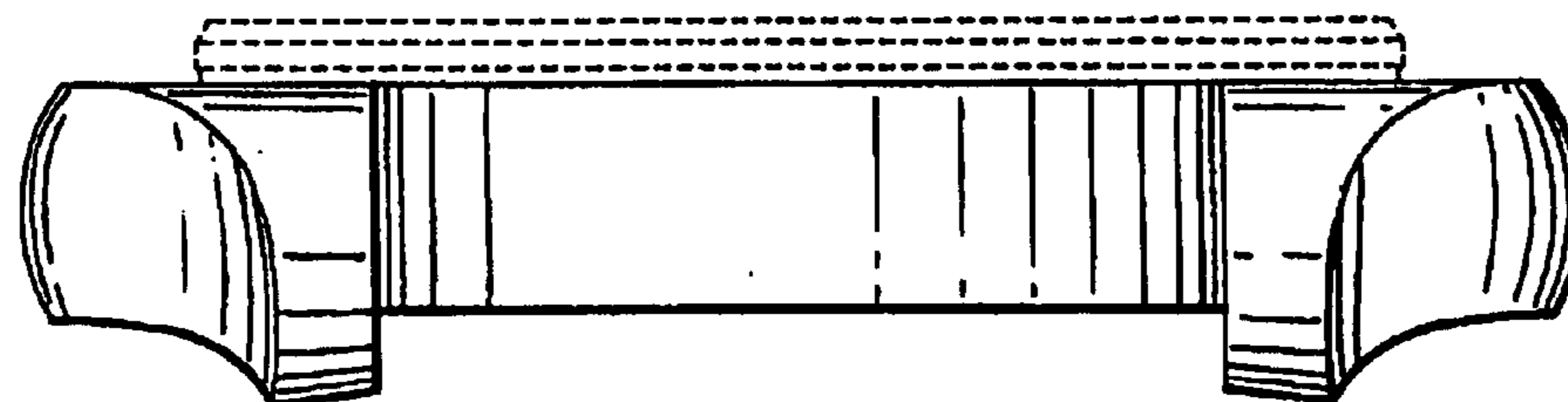


FIG. 2

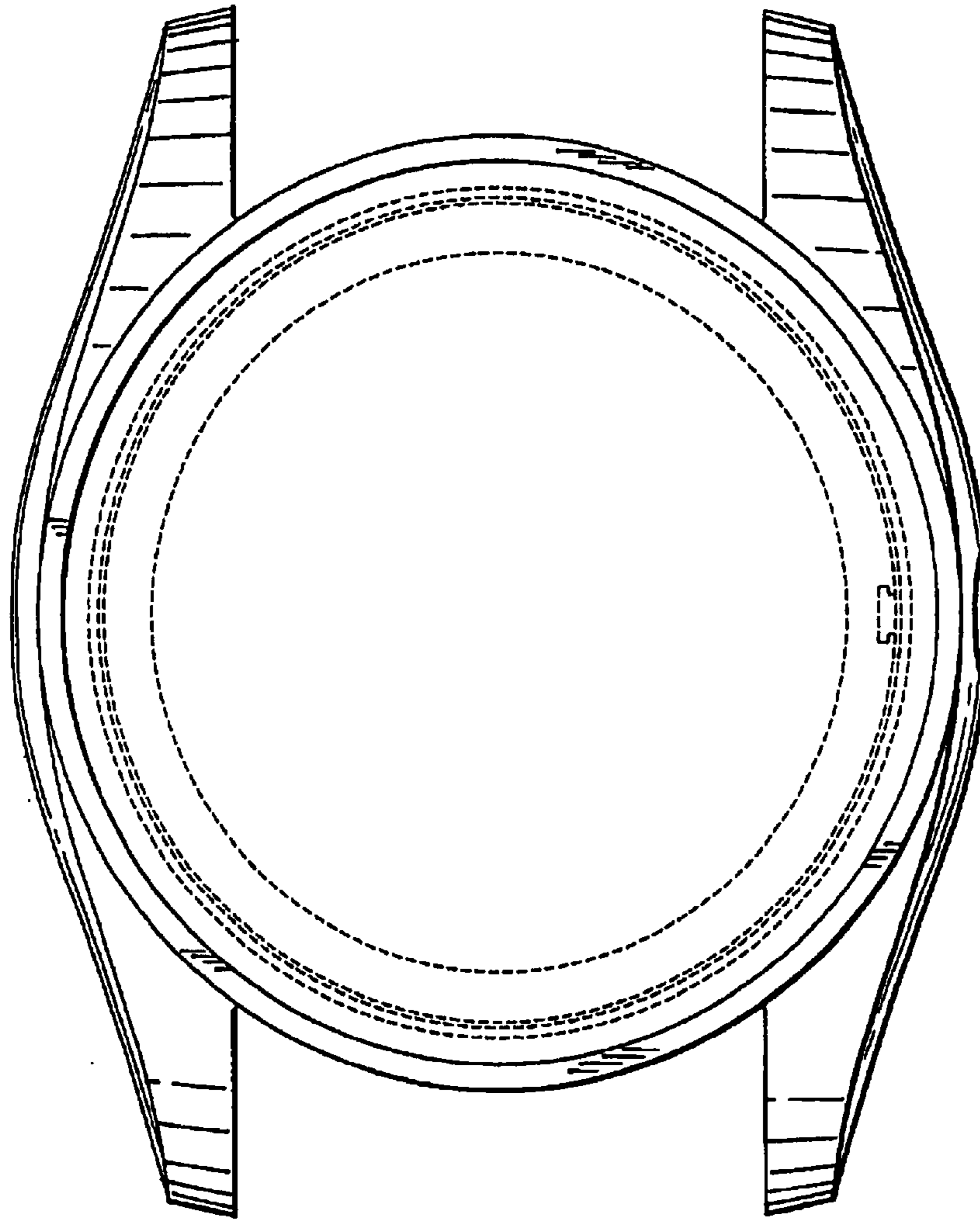


FIG. 3

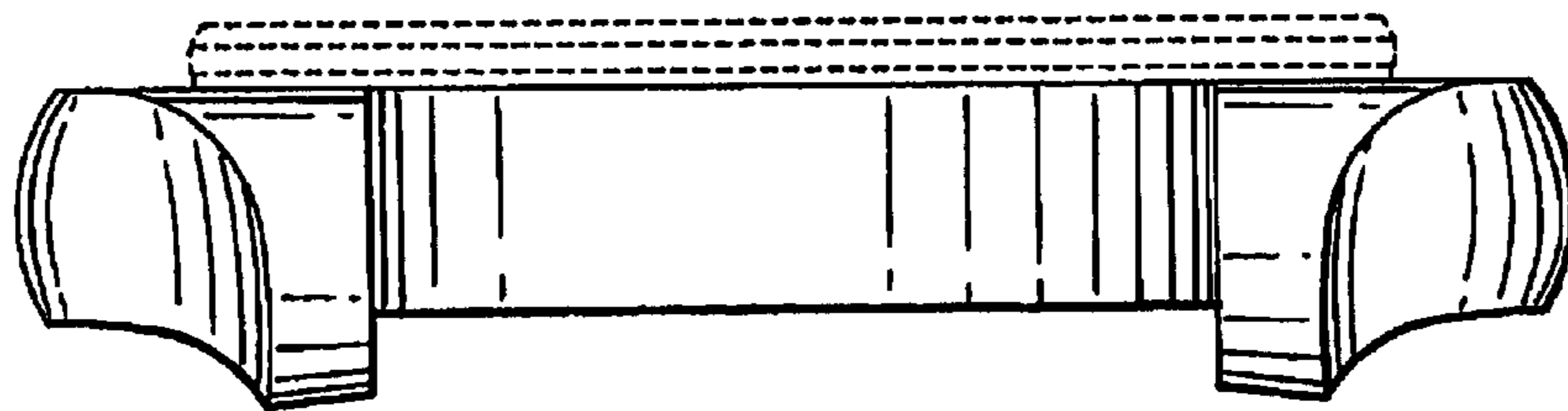


FIG. 4

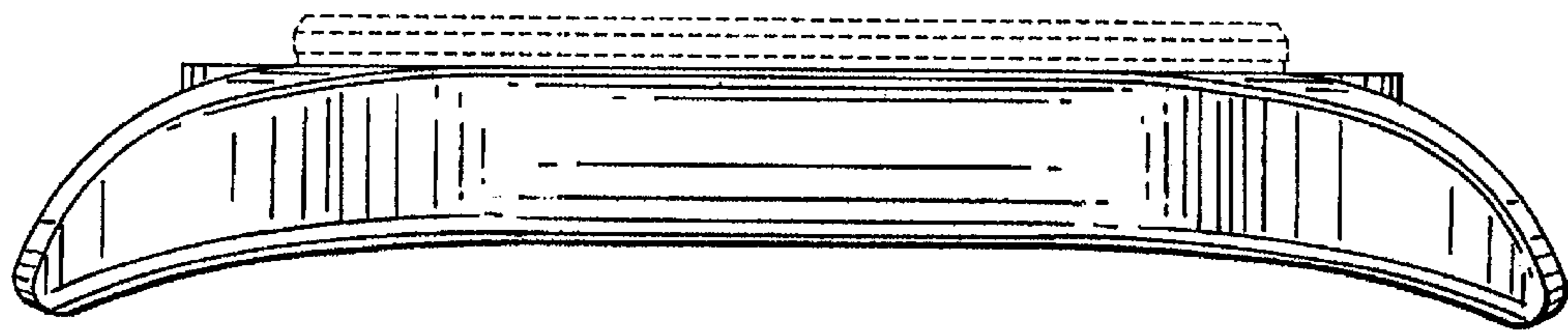


FIG. 5

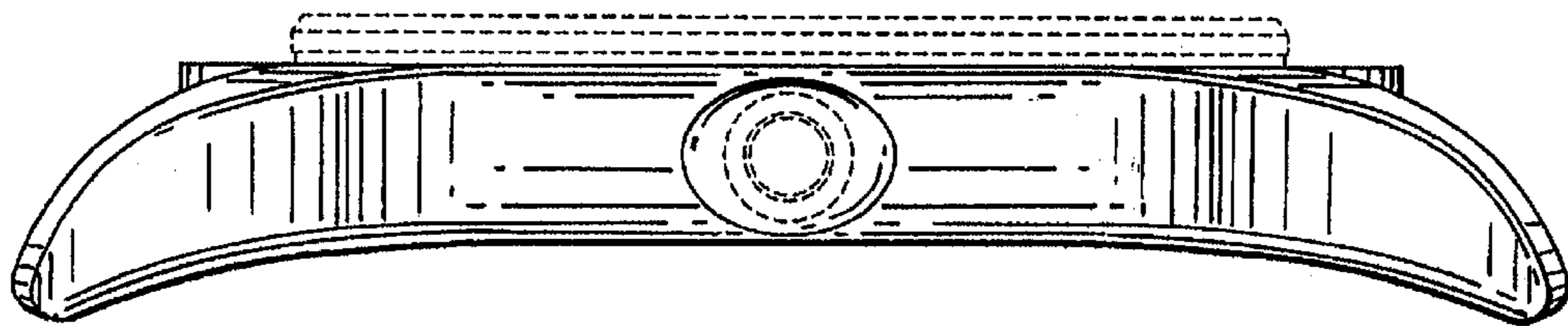


FIG. 6

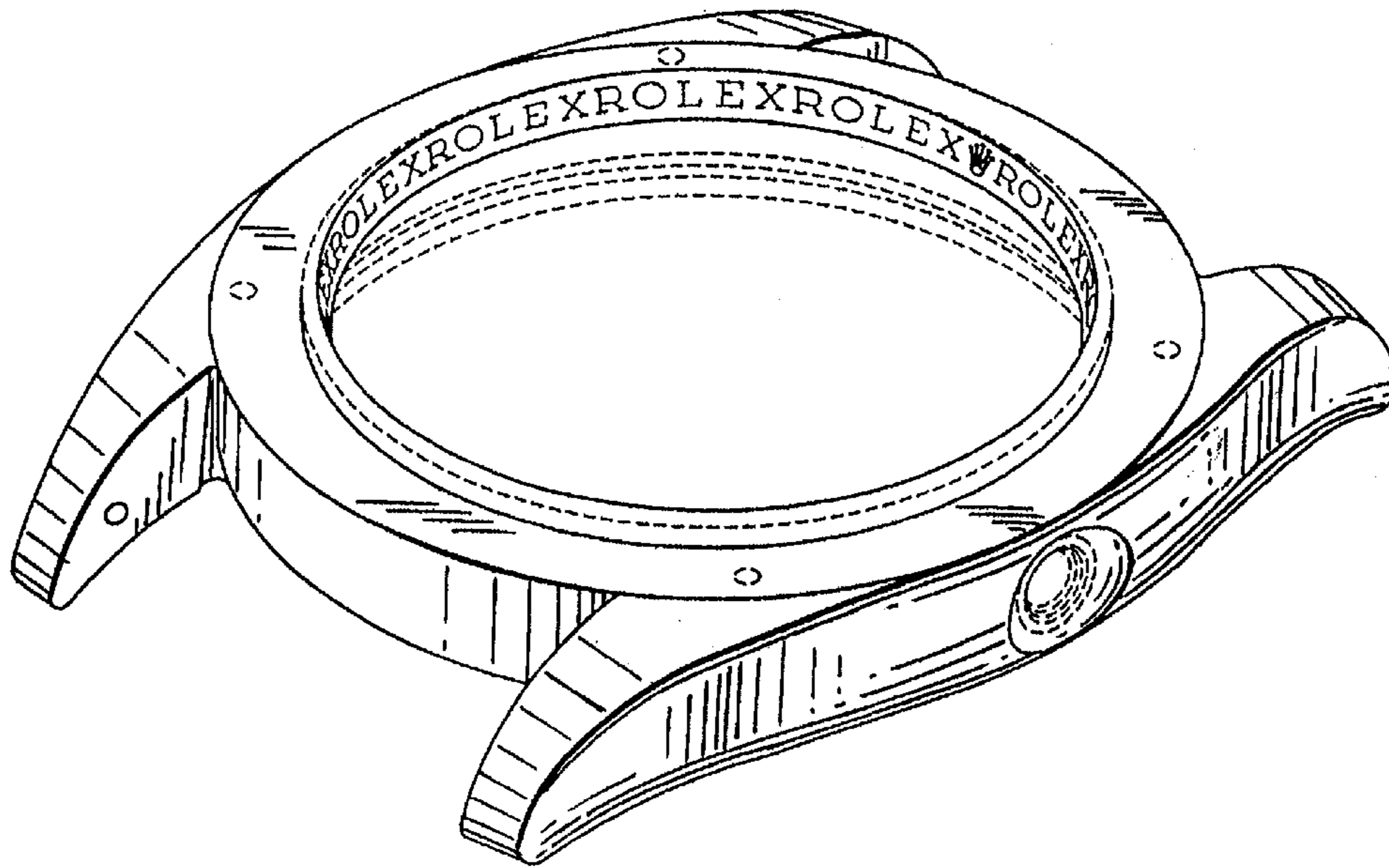


FIG. 7

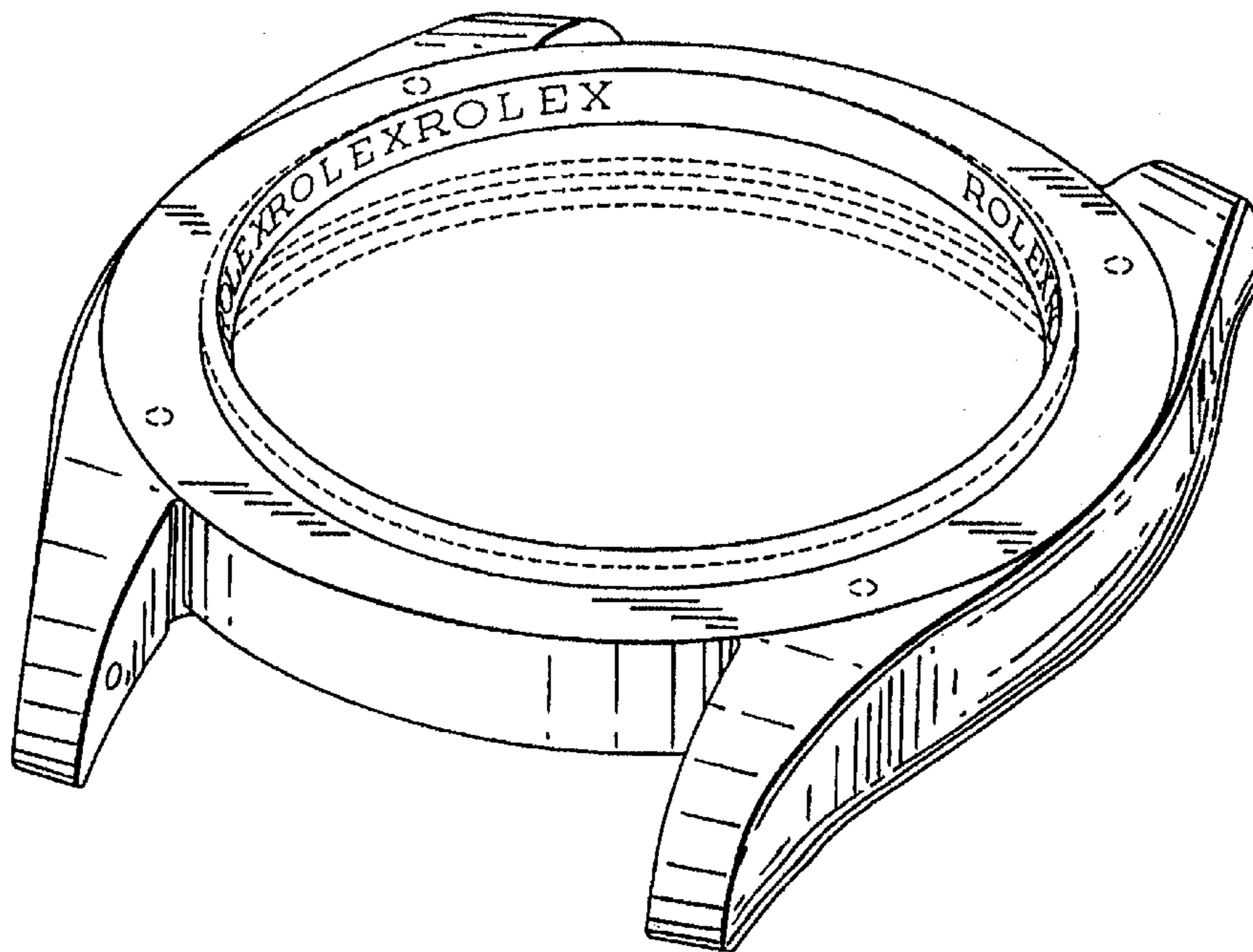


FIG. 8