

US00D519386S

(12) **United States Design Patent**
Aldridge et al.

(10) **Patent No.:** **US D519,386 S**
(45) **Date of Patent:** **** Apr. 25, 2006**

(54) **CONFECTIONARY PRODUCT CONTAINER**

JP HEI 11 1221 1/1999
WO WO 01/07335 2/2001

(75) Inventors: **Allen S. Aldridge**, South Orange, NJ (US); **Paul K. Bowers**, Long Valley, NJ (US); **Dan Devine**, Rockton, IL (US); **Christopher J. Feltman**, Rockton, IL (US); **Frank Schiro**, Doylestown, PA (US)

Primary Examiner—Stella Reid
Assistant Examiner—Mark A. Goodwin
(74) *Attorney, Agent, or Firm*—Robert G. Crouch; Marsh Fischmann & Breyfogle LLP

(73) Assignee: **Cadbury Adams USA, LLC**, RyeBrook, NY (US)

(57) **CLAIM**

The ornamental design for a confectionary product container, as shown and described.

(**) Term: **14 Years**

DESCRIPTION

(21) Appl. No.: **29/208,689**

FIG. 1 is a front elevation view of the confectionary product container, those portions of the confectionary product container shown in phantom are not part of the design sought to be patented and are provided for environmental purposes only;

(22) Filed: **Jul. 1, 2004**

(51) **LOC (8) Cl.** **09-03**

(52) **U.S. Cl.** **D9/756**

(58) **Field of Classification Search** D9/756,
D9/737, 702, 414, 416, 432, 433, 499, 420-422,
D9/425, 426; 206/5, 5.1, 37, 316.1, 476,
206/494, 527; 220/890; 229/100, 123, 124,
229/125, 126, 190, 800

FIG. 2 is a top plan view of the container;
FIG. 3 is a bottom plan view of the container;
FIG. 4 is a right side elevation view of the container;
FIG. 5 is a left side elevation view of the container;
FIG. 6 is a rear elevation view of the container;
FIG. 7 is a perspective view of the container;
FIG. 8 is a front elevation view of a second embodiment of the confectionary product container, the second embodiment being a mirror image of the embodiment shown in FIGS. 1-7, those portions of the confectionary product container shown in phantom are not part of the design sought to be patented and are provided for environmental purposes only;
FIG. 9 is a top plan view of the second embodiment of the container;
FIG. 10 is a bottom plan view of the second embodiment of the container;
FIG. 11 is a right side elevation view of the second embodiment of the container;
FIG. 12 is a left side elevation view of the second embodiment of the container;
FIG. 13 is a rear elevation view of the second embodiment of the container; and,
FIG. 14 is a perspective view of the second embodiment of the container.

See application file for complete search history.

(56) **References Cited**

U.S. PATENT DOCUMENTS

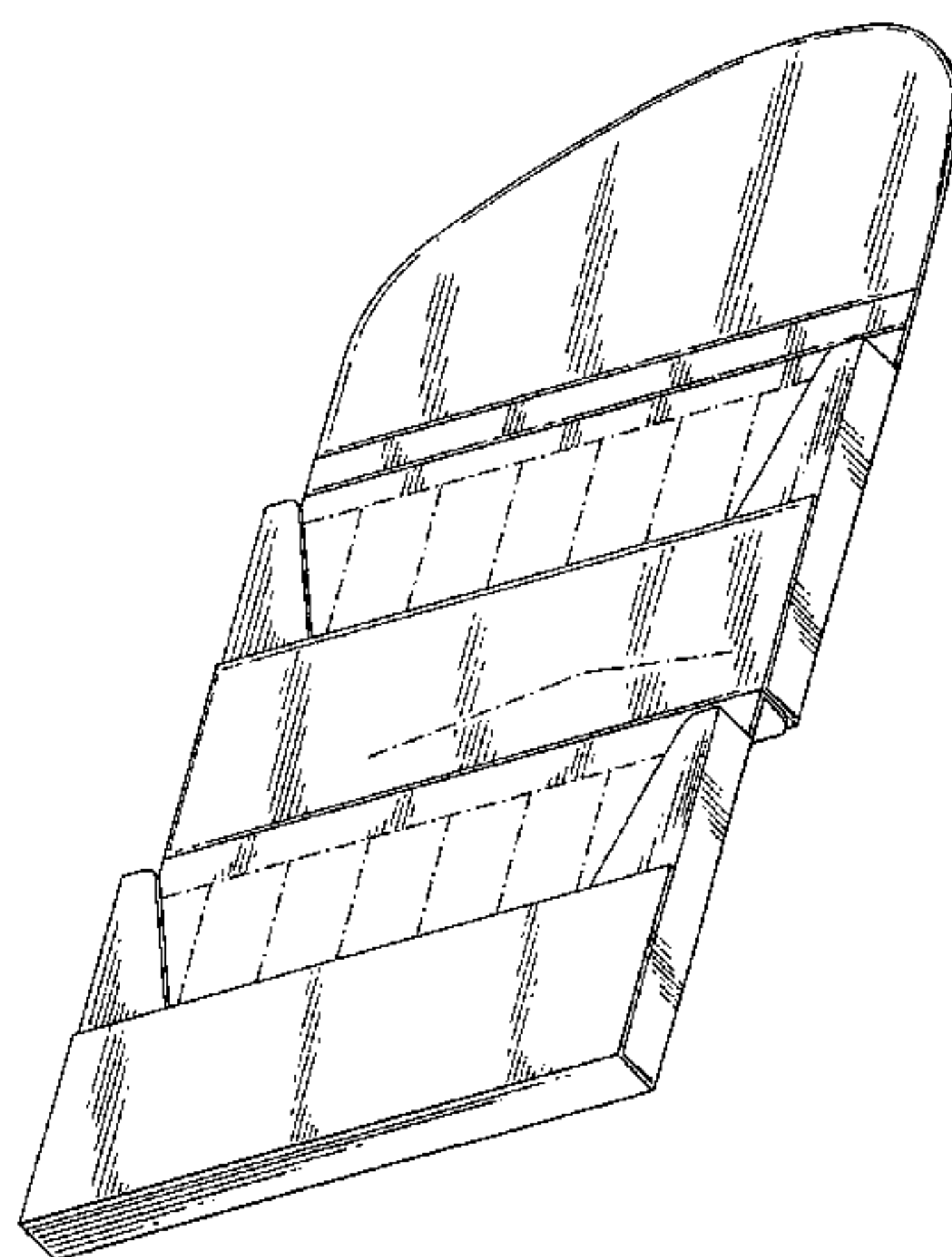
183,466 A	10/1876	Pearl	131/366
276,171 A	4/1883	Fraser	229/120.09
329,134 A	10/1885	Brotz	229/149
603,872 A	5/1898	Bucklin	206/256
624,583 A	5/1899	Vierengel	229/149
1,216,259 A	2/1917	Armstrong	206/499
1,256,965 A	2/1918	Williams	206/256
1,433,439 A	10/1922	Weis	229/149
1,550,966 A	8/1925	Kappes	426/5
1,575,420 A	3/1926	Eisenstark	69/21
1,589,118 A	6/1926	Cowen	206/273
1,666,095 A	4/1928	Jackson	221/232

(Continued)

FOREIGN PATENT DOCUMENTS

JP HEI 11-1220 1/1999

1 Claim, 4 Drawing Sheets



U.S. PATENT DOCUMENTS

1,751,208 A	3/1930	Kappes	426/5	3,734,801 A	5/1973	Sebel	156/152
1,763,763 A	6/1930	Denmead	206/96	3,881,649 A	5/1975	Krautsack	229/117.12
1,842,891 A *	1/1932	Allen	221/103	4,294,353 A	10/1981	Focke et al.	206/273
1,854,849 A	4/1932	Lerch	206/100	4,360,106 A	11/1982	Irvine	229/212
1,863,190 A *	6/1932	Coulapides	206/256	4,465,208 A	8/1984	Buban et al.	221/279
1,865,535 A	7/1932	Meany	426/5	D286,378 S *	10/1986	Banfield	D9/702
1,866,323 A	7/1932	Russell	206/750	4,949,841 A	8/1990	Focke	206/254
1,875,197 A	8/1932	Molins	206/256	5,029,712 A	7/1991	O'Brien	229/87.05
1,883,852 A *	10/1932	Medoff	206/449	5,096,113 A	3/1992	Focke	229/87.05
1,895,233 A	1/1933	Rossen	206/457	5,123,589 A	6/1992	Cote	229/232
1,906,742 A	5/1933	Coulapides	206/256	5,125,211 A	6/1992	O'Brien	53/412
1,929,148 A	10/1933	Molins	206/256	5,248,508 A	9/1993	Reed et al.	426/5
1,943,204 A	1/1934	Chute	206/41	5,270,061 A	12/1993	Reed et al.	426/5
2,074,451 A	3/1937	Berberian	229/27	5,353,956 A	10/1994	Wilson	221/198
2,117,281 A	5/1938	Bravi	53/395	5,370,219 A	12/1994	Violet, Jr.	206/38
2,192,472 A	3/1940	Huston	206/46	5,376,388 A	12/1994	Meyers	426/5
2,192,473 A	3/1940	Huston	206/46	5,462,223 A	10/1995	Focke et al.	229/160.1
2,201,956 A	5/1940	Little	426/123	5,510,124 A	4/1996	Kopecky et al.	426/5
2,210,194 A	8/1940	Baldwin	99/180	5,511,658 A	4/1996	Focke et al.	206/271
2,210,195 A	8/1940	Baldwin	99/180	556,026 A	9/1996	Blankitny	229/123.1
2,210,196 A	8/1940	Baldwin	99/180	5,632,378 A	5/1997	Provost	206/460
2,263,191 A	11/1941	Saladin et al.	205/56	5,797,494 A	8/1998	Balling et al.	206/460
2,316,796 A	4/1943	Lichter	221/63	5,885,630 A	3/1999	Zurawski et al.	426/5
2,339,656 A	1/1944	Shina	229/44	6,001,397 A	12/1999	Boyd et al.	426/5
2,353,761 A	7/1944	Ringler	229/7	6,010,724 A	1/2000	Boyd et al.	426/5
2,380,367 A	7/1945	Ranney	426/5	D431,775 S *	10/2000	Plattner et al.	D9/415
2,514,255 A	7/1950	Piazzze	206/48.5	6,164,444 A	12/2000	Bray	206/268
2,988,209 A	6/1961	Parilla	206/56	6,199,687 B1	3/2001	Tambo	206/268
3,035,756 A	5/1962	Mullinix	229/87.11	6,220,430 B1	4/2001	Boriani	206/229
3,039,671 A	6/1962	Chiamardas	229/27	6,237,760 B1	5/2001	Parker	206/273
3,093,292 A	6/1963	Ahlbor	206/264	D463,975 S *	10/2002	Sipinen	D9/733
3,201,258 A	8/1965	Mastella	99/180	D465,416 S	11/2002	Dzwill et al.	D9/432
3,472,362 A	10/1969	Shindo	206/41.4	6,478,149 B1	11/2002	Parker	206/273
3,509,989 A	5/1970	Woll	206/94	D479,464 S *	9/2003	Kopecky	D9/432
3,680,766 A	8/1972	Collura et al.	229/51	D484,046 S *	12/2003	Kopecky	D9/432
3,710,977 A	1/1973	Van den Enden et al. ..	221/102	2003/0080020 A1	5/2003	Kopecky	206/526

* cited by examiner

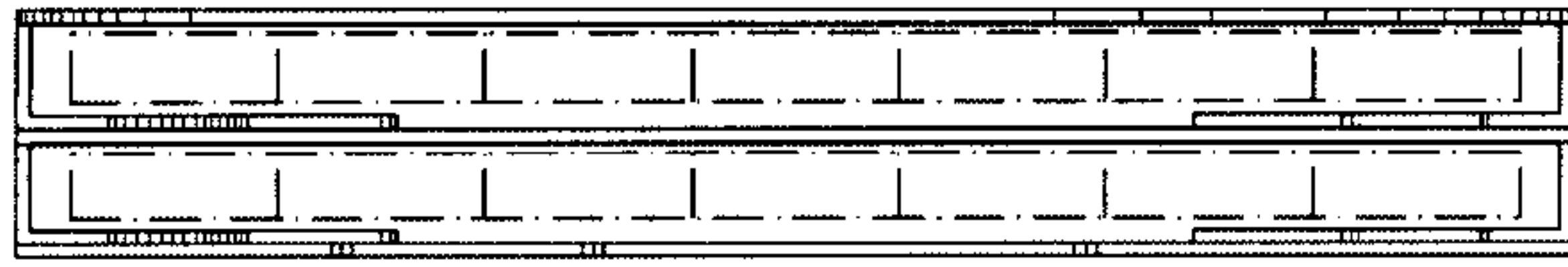


FIG.2

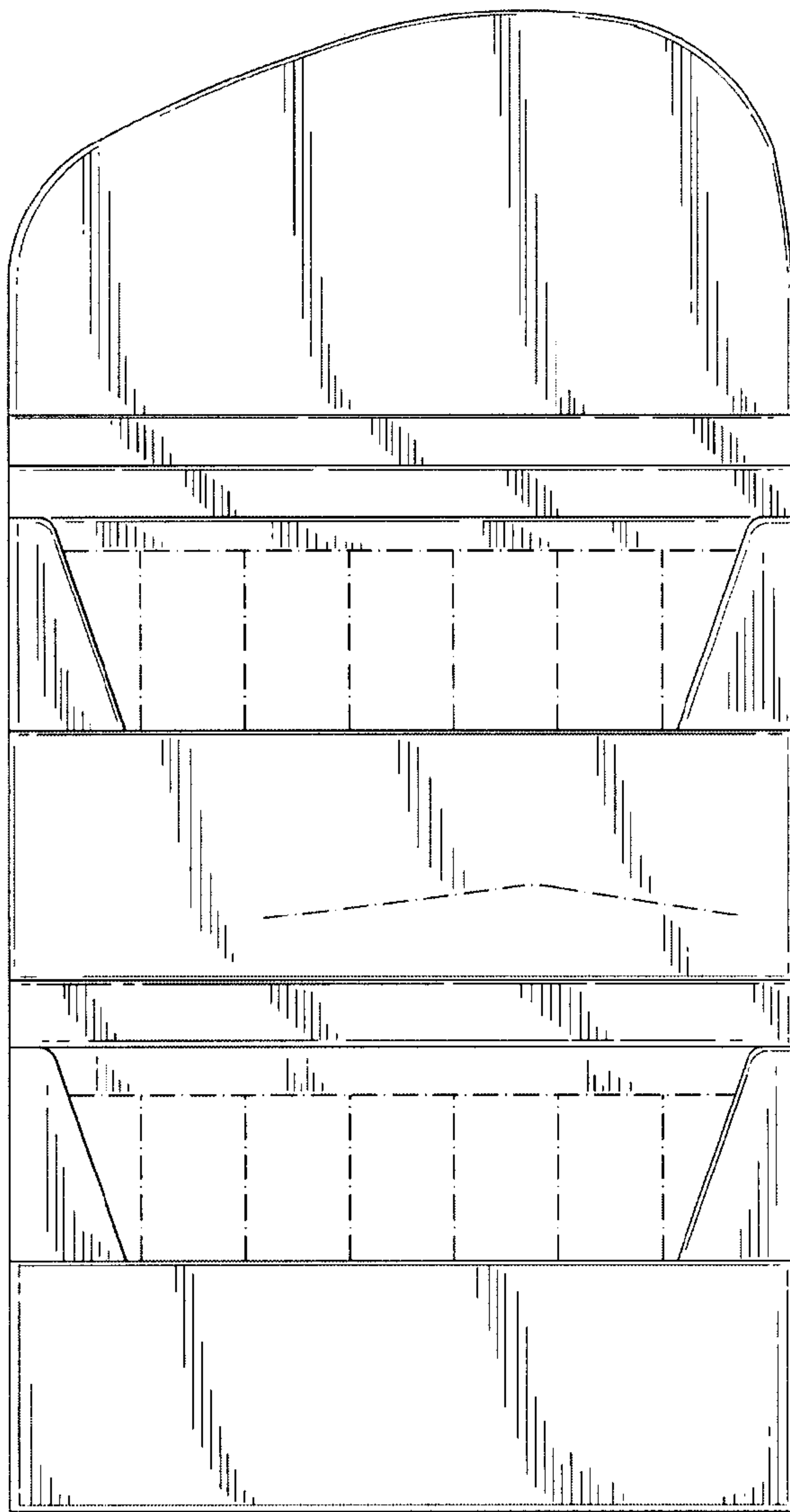


FIG.1

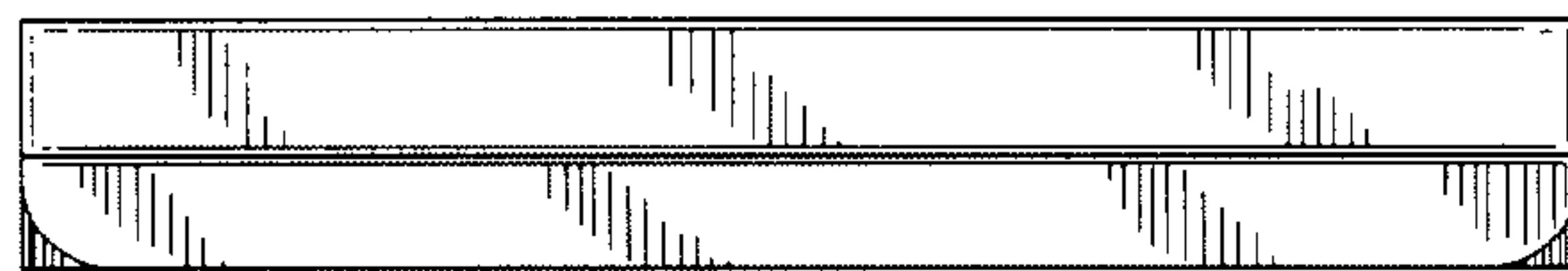


FIG.3

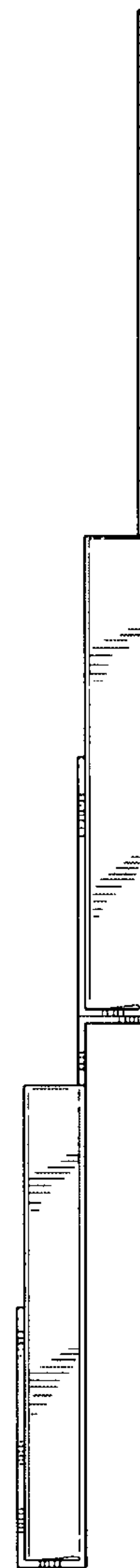


FIG.4

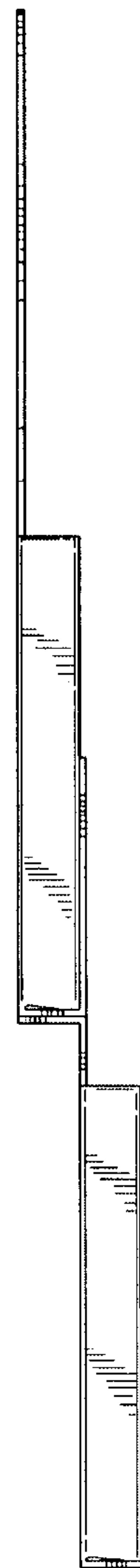


FIG.5

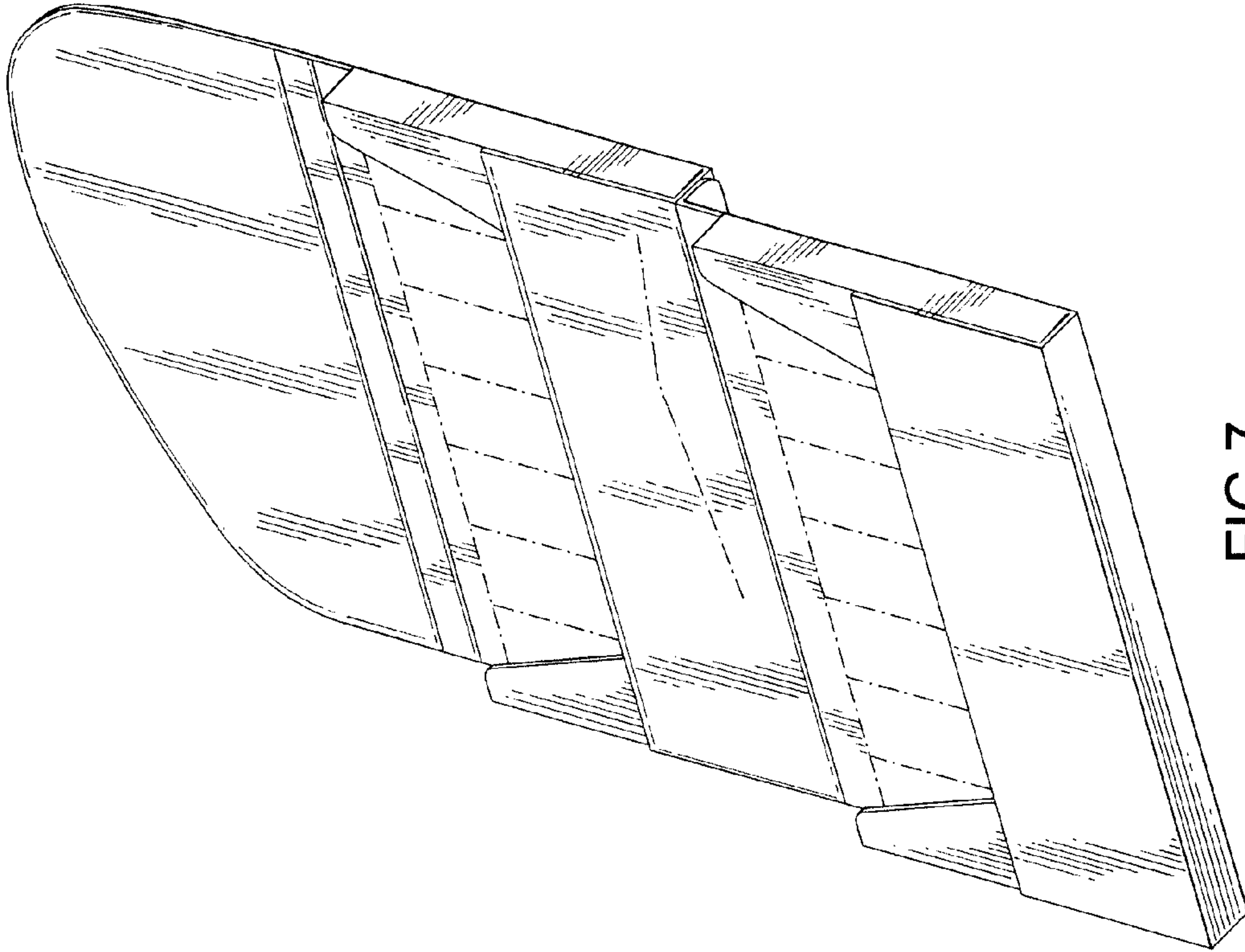


FIG. 7

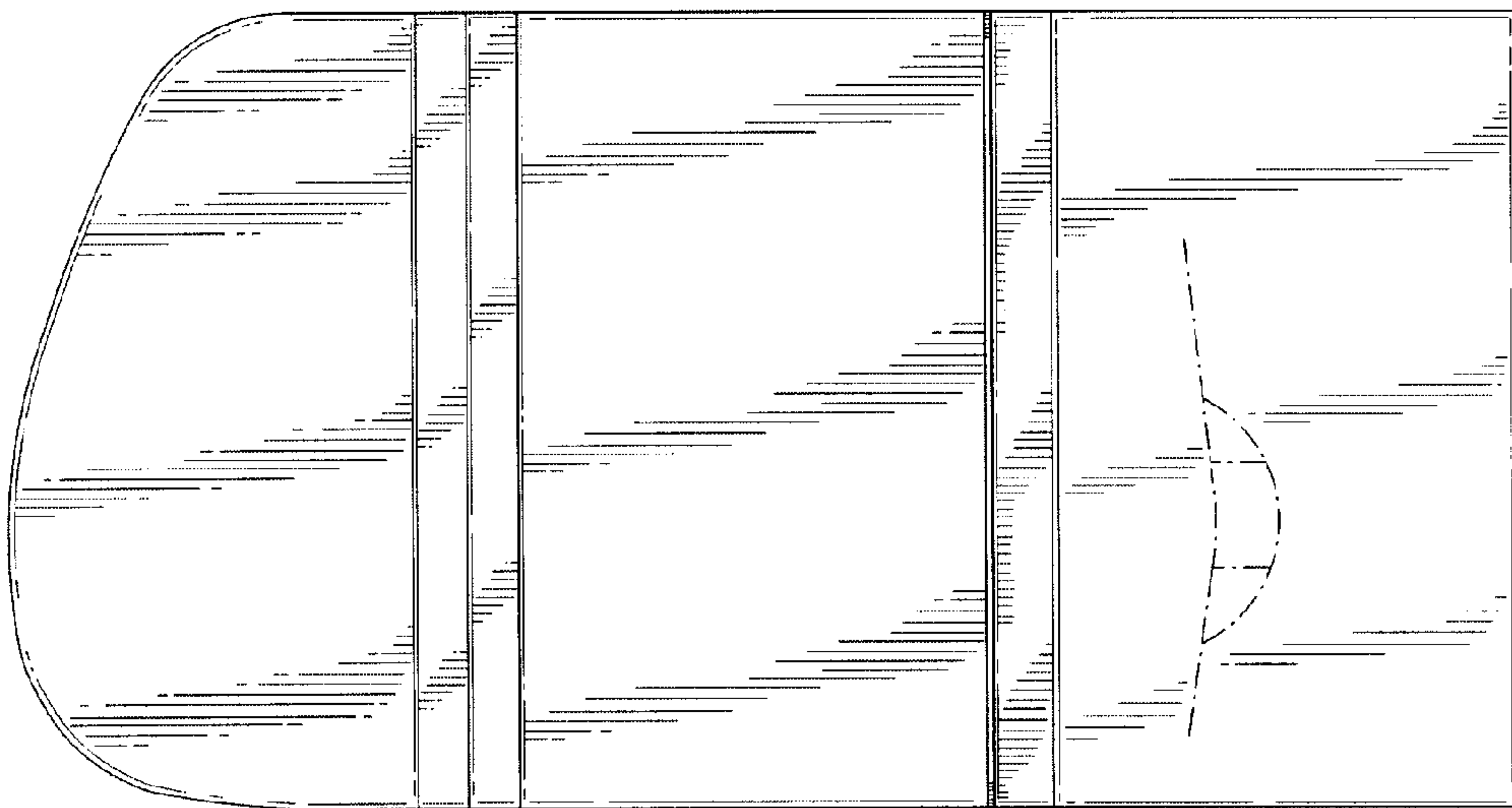


FIG. 6

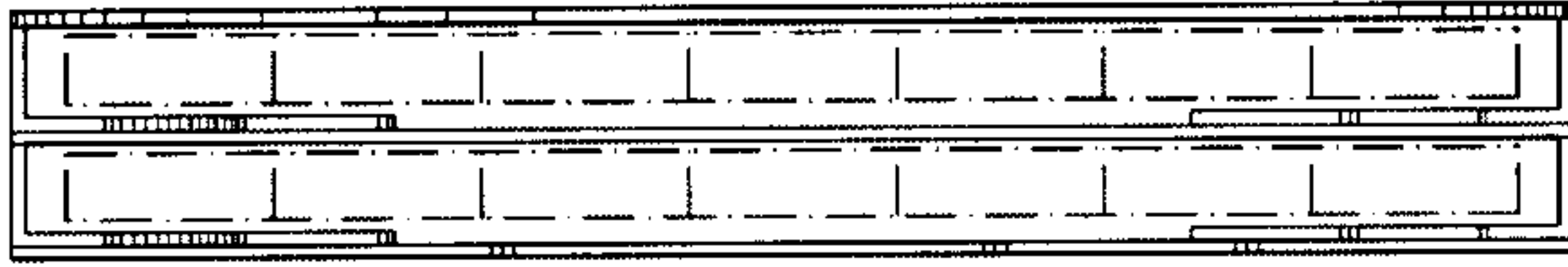


FIG. 9

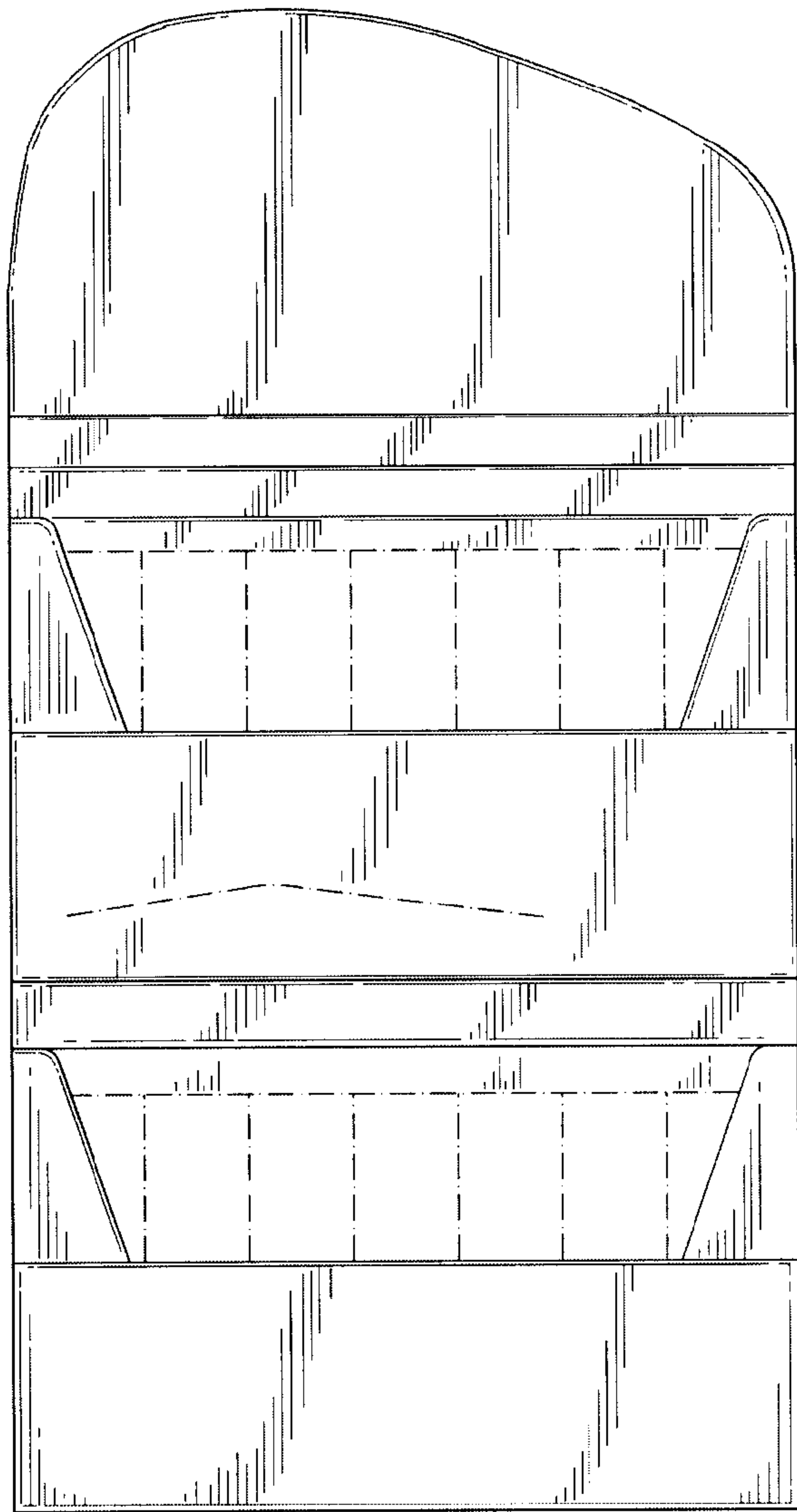


FIG. 8

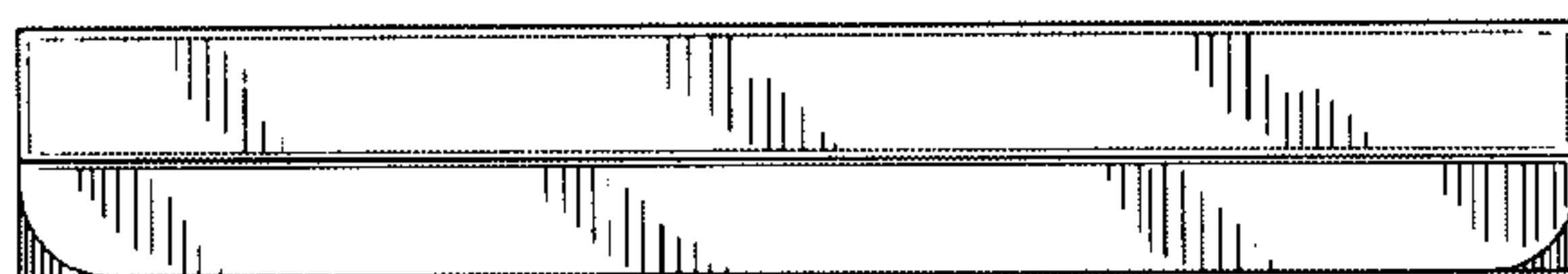


FIG. 10

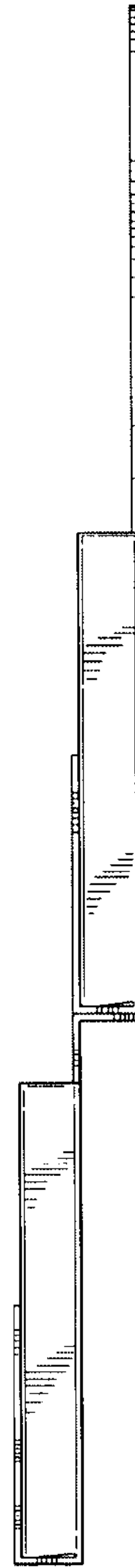


FIG. 11

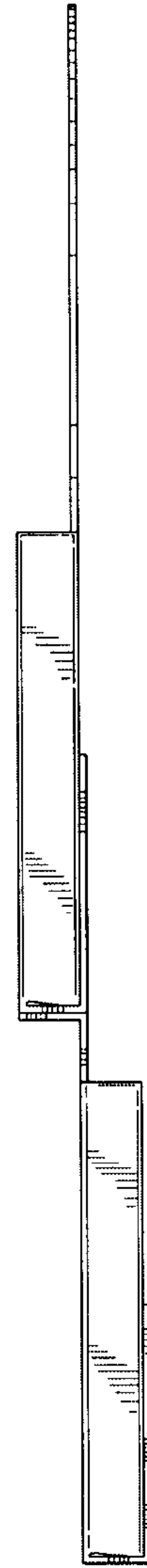


FIG. 12

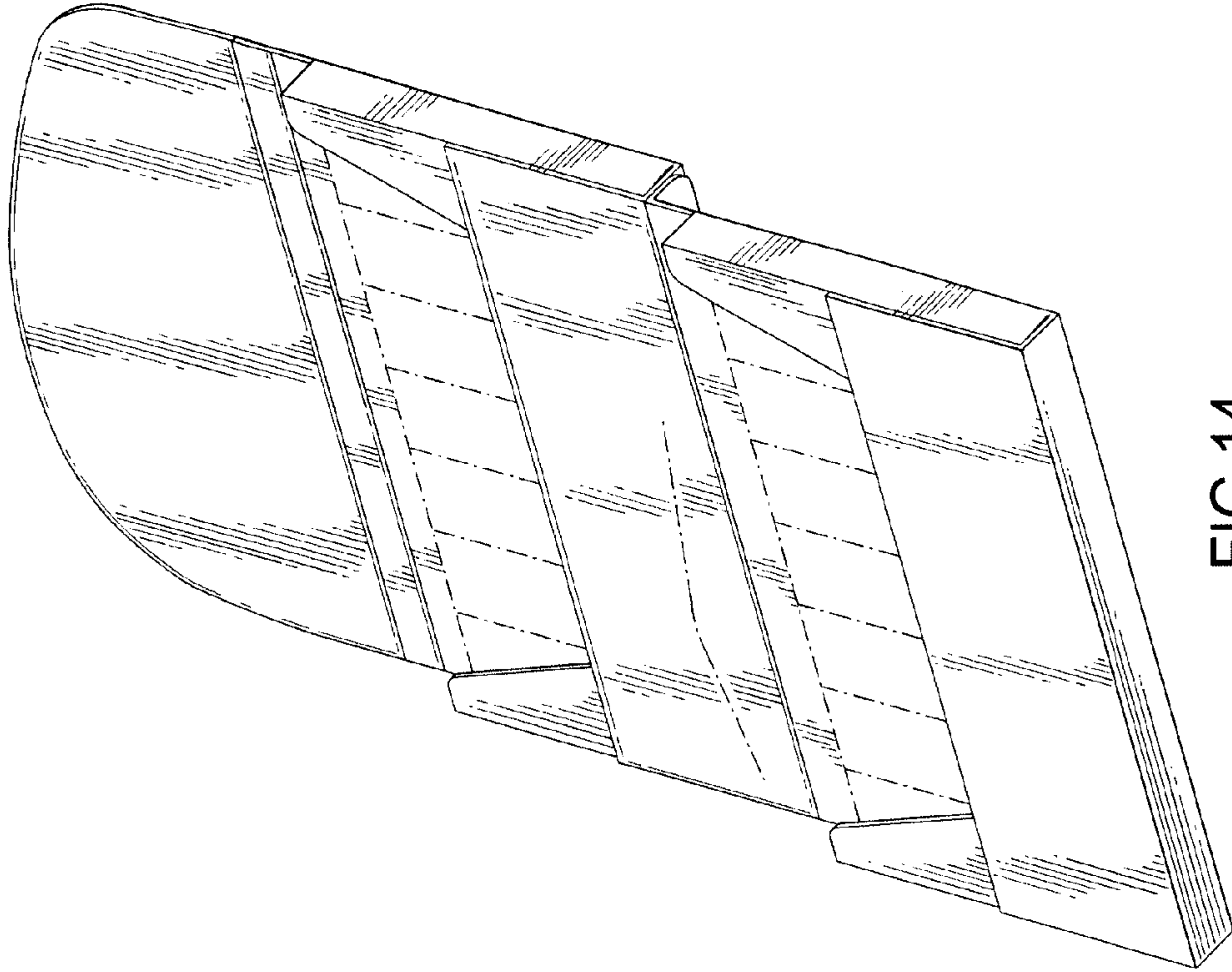


FIG. 14



FIG. 13