



US00D519375S

(12) **United States Design Patent**
Brooks

(10) **Patent No.:** **US D519,375 S**

(45) **Date of Patent:** **** Apr. 25, 2006**

- (54) **POLYGONAL SUSCEPTOR TRAY**
- (75) Inventor: **Joseph R. Brooks**, Chicago, IL (US)
- (73) Assignee: **Kraft Foods holdings, Inc.**, Northfield, IL (US)
- (**) Term: **14 Years**

- 4,836,383 A 6/1989 Gordon et al.
- 4,870,233 A 9/1989 McDonald et al.
- 4,876,423 A 10/1989 Tighe et al.
- 4,883,936 A 11/1989 Maynard et al.
- 4,896,009 A 1/1990 Pawlowski
- 4,916,280 A 4/1990 Havette
- 4,917,907 A 4/1990 Kwis et al.

(Continued)

- (21) Appl. No.: **29/217,345**
- (22) Filed: **Nov. 16, 2004**

FOREIGN PATENT DOCUMENTS

- EP 0 943 558 A2 9/1999
- EP 0 943 558 A3 10/2000

- (51) **LOC (8) Cl.** **09-07**
- (52) **U.S. Cl.** **D9/456**
- (58) **Field of Classification Search** D9/499, D9/457, 456, 455, 450, 443, 435, 434, 432, D9/431, 414; D7/601, 553.2, 553.1, 541, D7/392.1, 391, 323; D3/319, 318, 313, 272; 229/117.27, 5.82, 182.1, 125.36; 222/531; 220/258.2, 675, 254.3; 493/158; 426/118, 426/107, 243, 106; 219/730; 125/35; 752/521.1
See application file for complete search history.

OTHER PUBLICATIONS

US 6,177,664, 1/2001, Cole et al. (withdrawn)

Primary Examiner—Robert M. Spear
Assistant Examiner—Susan Bennett Hattan
 (74) *Attorney, Agent, or Firm*—Cook, Alex, McFarron, Manzo, Cummings & Mehler, Ltd.

(57) **CLAIM**

The ornamental design for a polygonal susceptor tray, as shown and described.

(56) **References Cited**

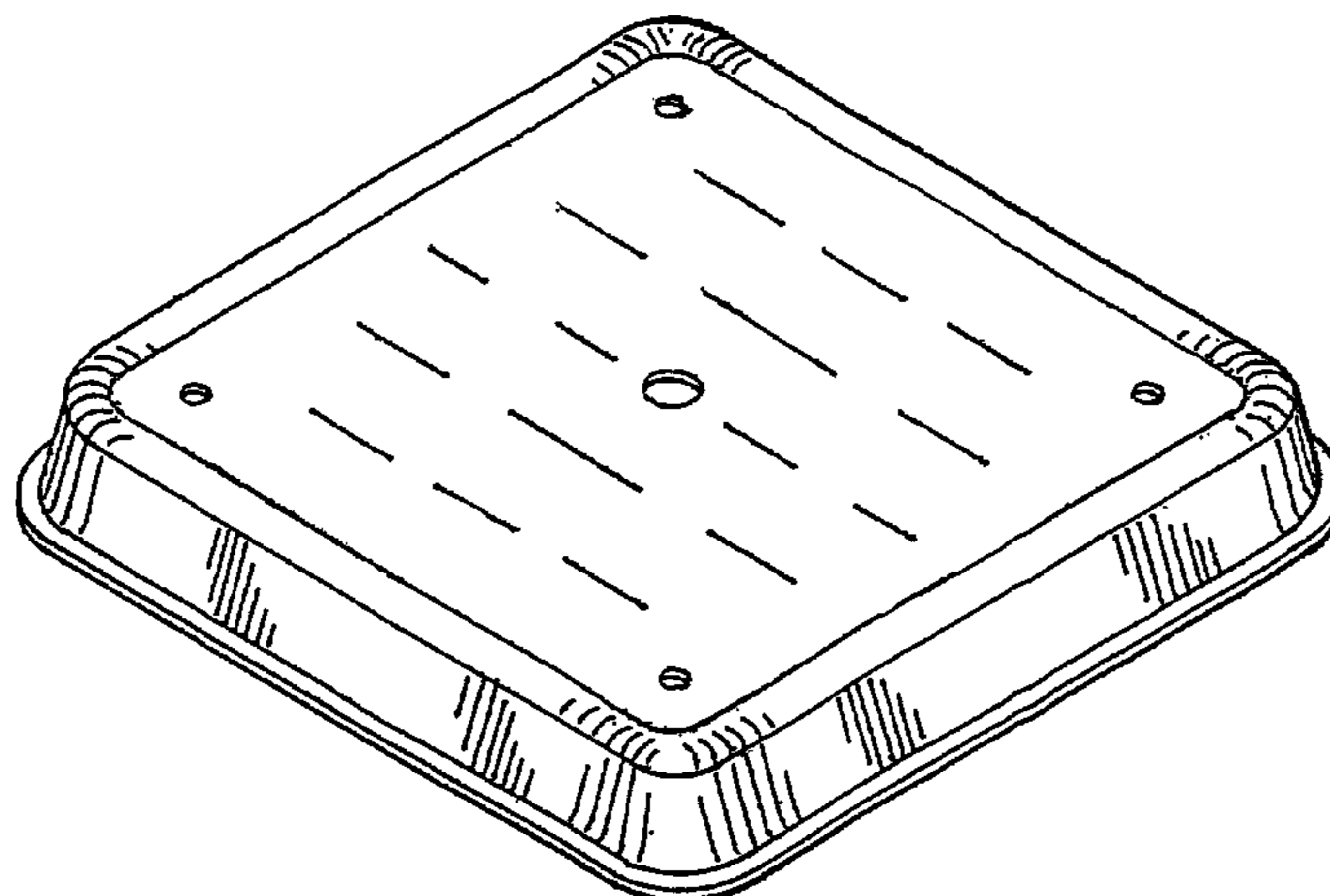
U.S. PATENT DOCUMENTS

- 3,941,968 A 3/1976 MacMaster et al.
- 3,965,323 A * 6/1976 Forker et al. 219/730
- 4,210,124 A 7/1980 Husslein et al.
- 4,260,060 A 4/1981 Faller
- 4,360,107 A 11/1982 Roccaforte
- 4,450,334 A 5/1984 Bowen et al.
- 4,555,605 A 11/1985 Brown et al.
- 4,567,341 A 1/1986 Brown
- 4,592,914 A 6/1986 Kuchenbecker
- 4,593,171 A 6/1986 Colato
- 4,612,431 A 9/1986 Brown et al.
- 4,626,641 A 12/1986 Brown
- 4,642,434 A 2/1987 Cox et al.
- 4,698,472 A 10/1987 Cox et al.
- 4,705,929 A 11/1987 Atkinson
- 4,742,203 A 5/1988 Brown et al.
- 4,771,154 A 9/1988 Bell et al.
- 4,794,005 A 12/1988 Swiontek
- 4,797,521 A 1/1989 Liwski
- 4,825,024 A * 4/1989 Seaborne 219/730

DESCRIPTION

FIG. 1 is a perspective view of a polygonal susceptor tray showing the new design;
 FIG. 2 is a top plan view thereof;
 FIG. 3 is a side elevational view thereof, the opposite side elevational view being the same as FIG. 3;
 FIG. 4 is a bottom plan view thereof;
 FIG. 5 is a longitudinal sectional view thereof;
 FIG. 6 is a perspective view of a second embodiment of the polygonal susceptor tray;
 FIG. 7 is a top plan view thereof;
 FIG. 8 is a side elevational view thereof, the opposite side elevational view being the same as FIG. 8;
 FIG. 9 is a bottom plan view thereof; and,
 FIG. 10 is a longitudinal sectional view thereof.
 The broken lines in the drawings are for illustrative purposes only and form no part of the claimed design.

1 Claim, 4 Drawing Sheets



US D519,375 S

Page 2

U.S. PATENT DOCUMENTS					
4,959,516	A	9/1990 Tighe et al.	5,521,361	A *	5/1996 Strait, Jr. 426/243
4,960,598	A	10/1990 Swiontek	5,565,228	A	10/1996 Gics
4,962,849	A *	10/1990 Anderson 229/125.35	5,585,027	A	12/1996 Young
4,968,865	A *	11/1990 Seaborne et al. 426/107	5,593,610	A	1/1997 Minerich et al.
4,990,735	A	2/1991 Lorenson et al.	5,695,673	A	12/1997 Geissler
5,095,186	A	3/1992 Scott Russell et al.	5,873,218	A *	2/1999 Kendig 426/118
5,126,520	A	6/1992 Nottingham et al.	5,948,308	A	9/1999 Wischusen, III
5,140,119	A	8/1992 Brown et al.	5,951,905	A	9/1999 Iwai et al.
5,144,106	A	9/1992 Kearns et al.	5,989,606	A *	11/1999 Sambrailo 426/106
5,144,107	A	9/1992 Peleg	6,033,699	A *	3/2000 Vincenzi 426/106
5,155,316	A	10/1992 Chiu	6,133,558	A	10/2000 Ueda et al.
5,155,319	A	10/1992 Chiu	6,200,501	B1 *	3/2001 Rakhimov 252/521.1
5,223,685	A	6/1993 DeRienzo, Jr.	6,359,272	B1	3/2002 Sadek et al.
5,230,914	A *	7/1993 Akervik 426/107	D459,939	S	7/2002 Johnson
5,247,149	A	9/1993 Peleg	6,414,290	B1	7/2002 Cole et al.
5,252,793	A	10/1993 Woods	6,476,368	B1	11/2002 Aronsson et al.
5,270,502	A	12/1993 Brown et al.	6,501,059	B1	12/2002 Mast
5,278,378	A	1/1994 Beckett	6,534,755	B1	3/2003 Paulucci
5,310,976	A	5/1994 Beckett	6,627,862	B1	9/2003 Pedersen
5,310,977	A	5/1994 Stenkamp et al.	6,660,983	B1	12/2003 Monforton et al.
D348,834	S *	7/1994 Wardell, Jr. D9/435	6,717,121	B1	4/2004 Zeng et al.
5,338,911	A	8/1994 Brandberg et al.	6,765,182	B1	7/2004 Cole et al.
5,352,465	A	10/1994 Gondek et al.	2004/0213883	A1	10/2004 Sadek et al.
5,466,917	A	11/1995 Matsuki et al.	2004/0262322	A1 *	12/2004 Middleton et al. 220/675
5,484,984	A	1/1996 Gics	2005/0184066	A1 *	8/2005 Brooks et al. 219/730

* cited by examiner

FIG.1

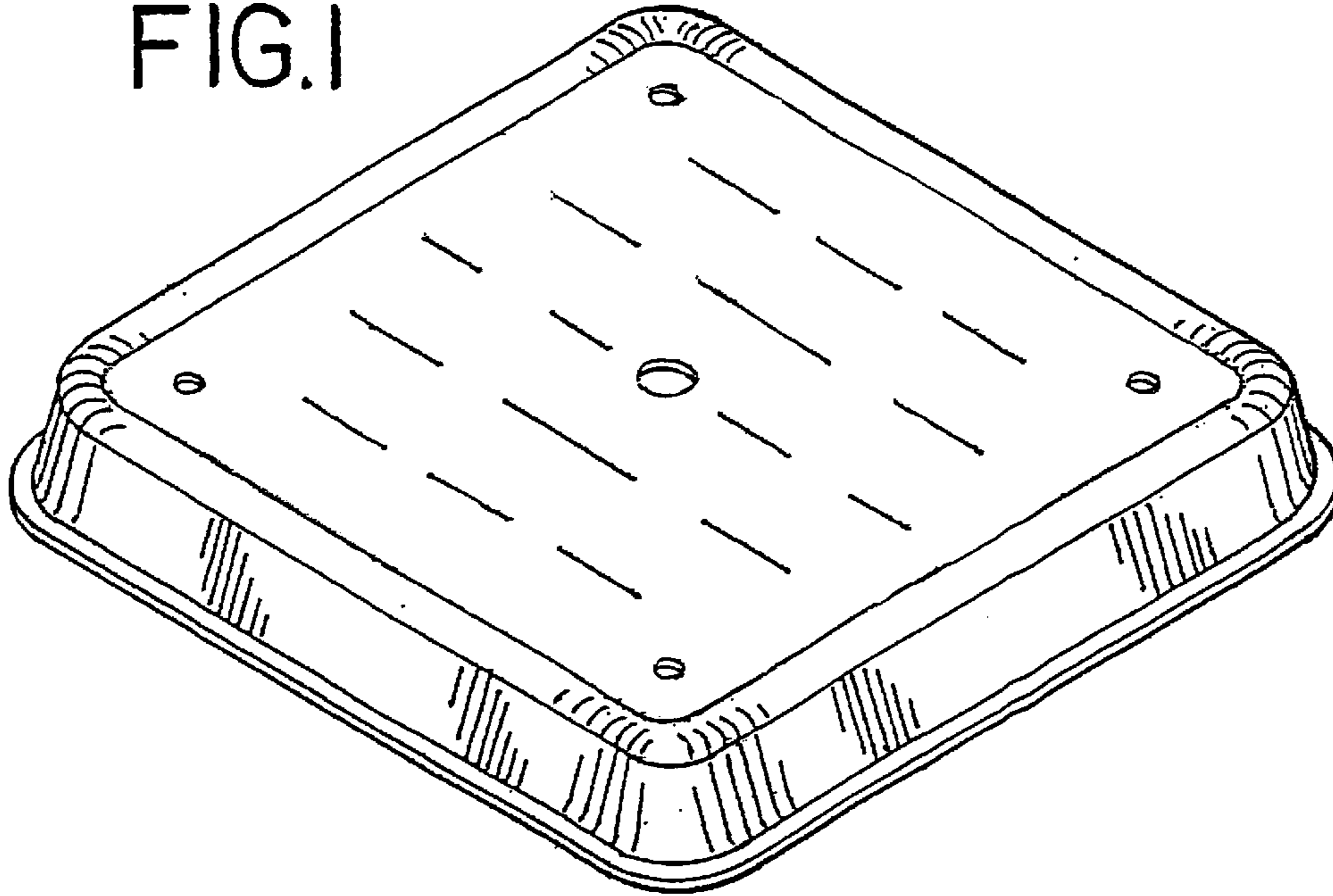


FIG.2

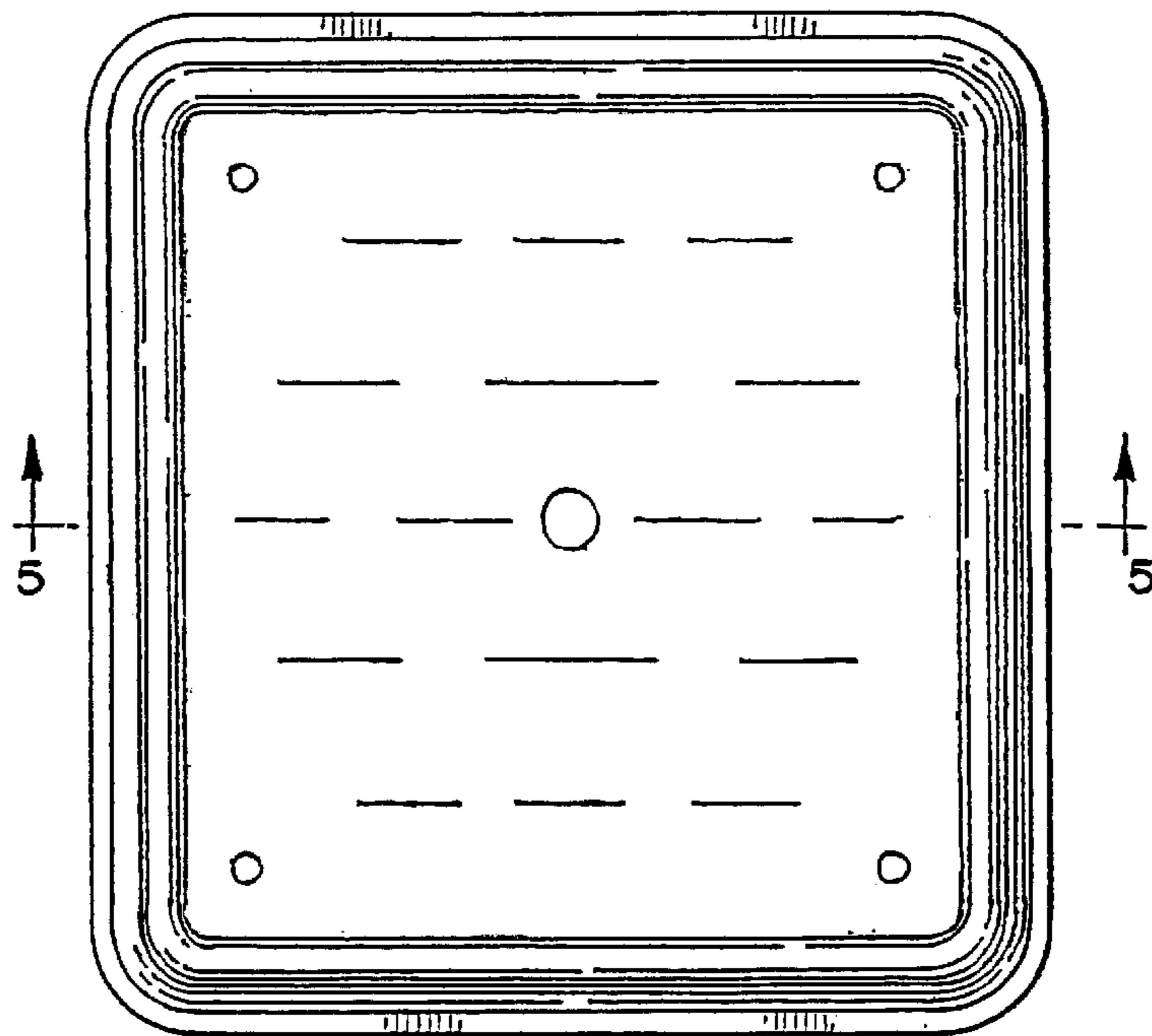


FIG.3

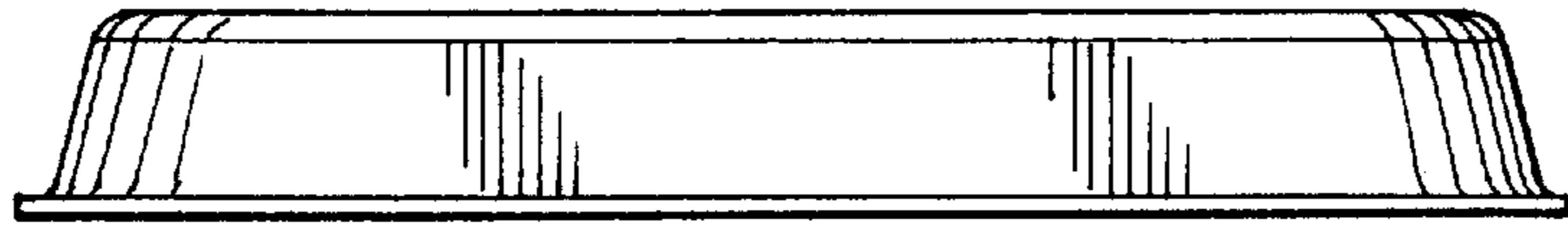


FIG.4

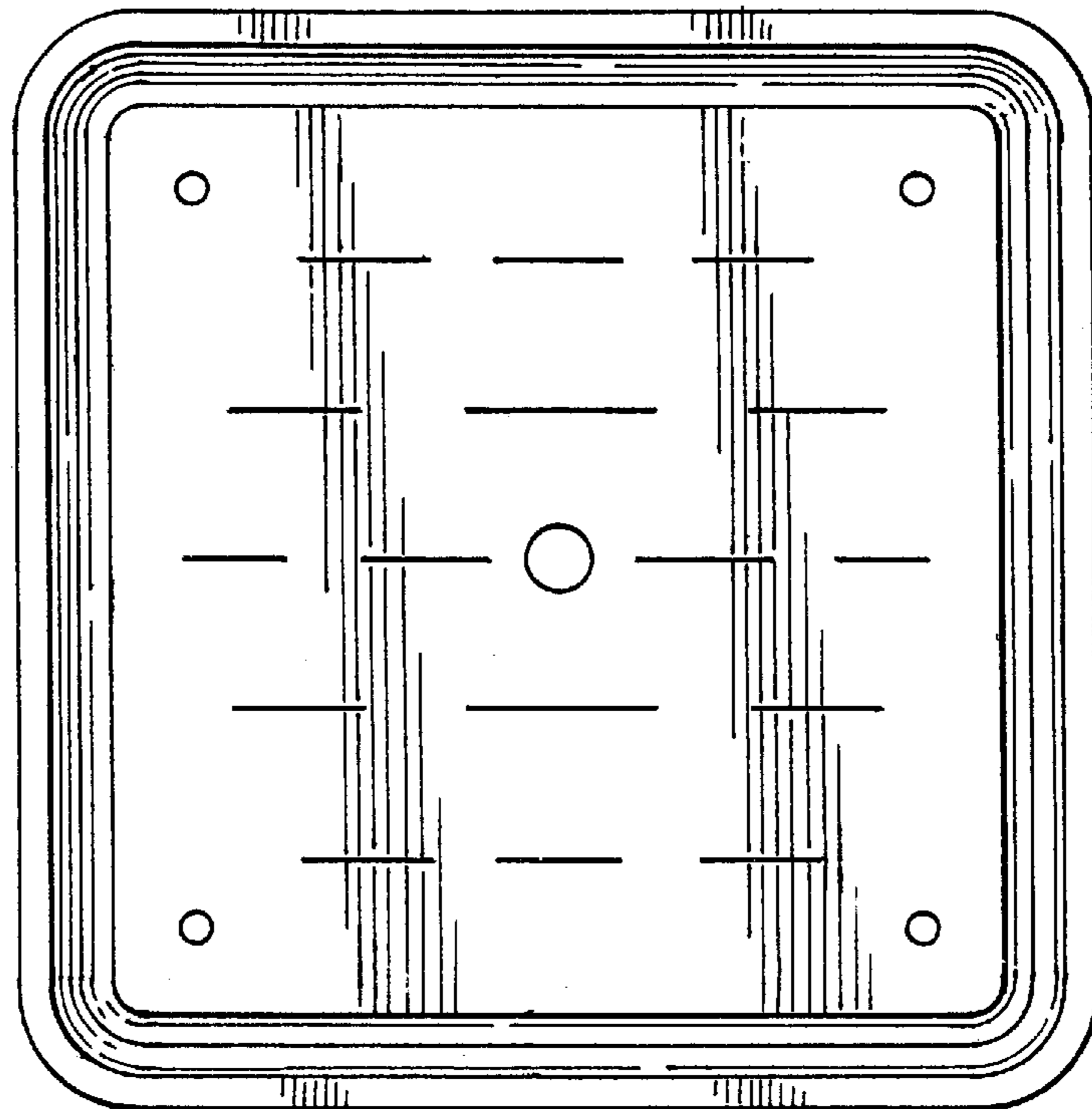


FIG.5

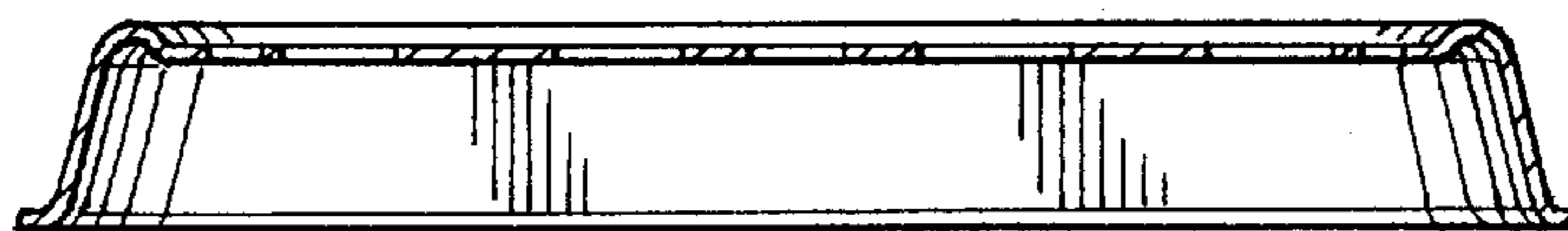


FIG.6

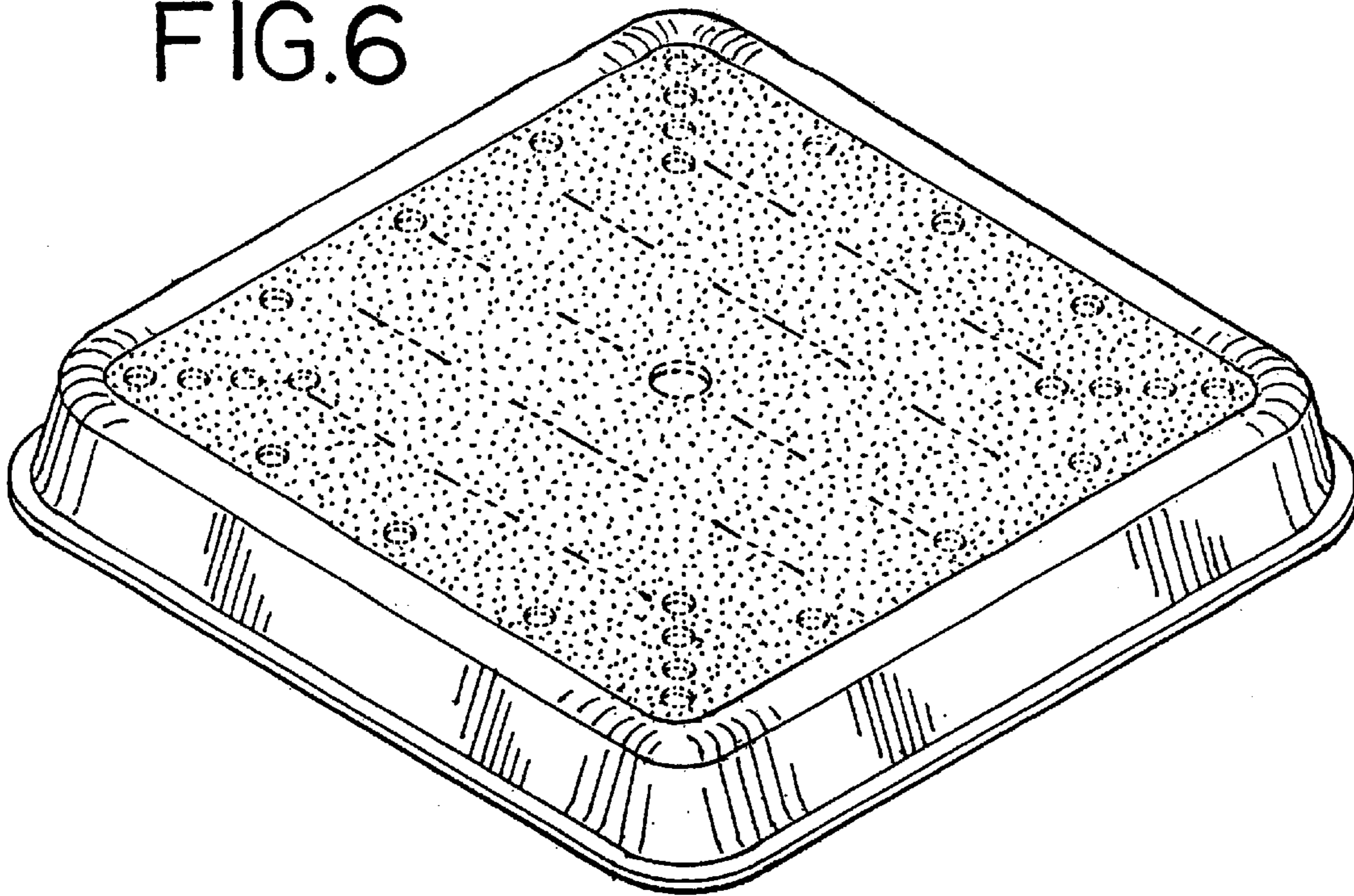


FIG.7

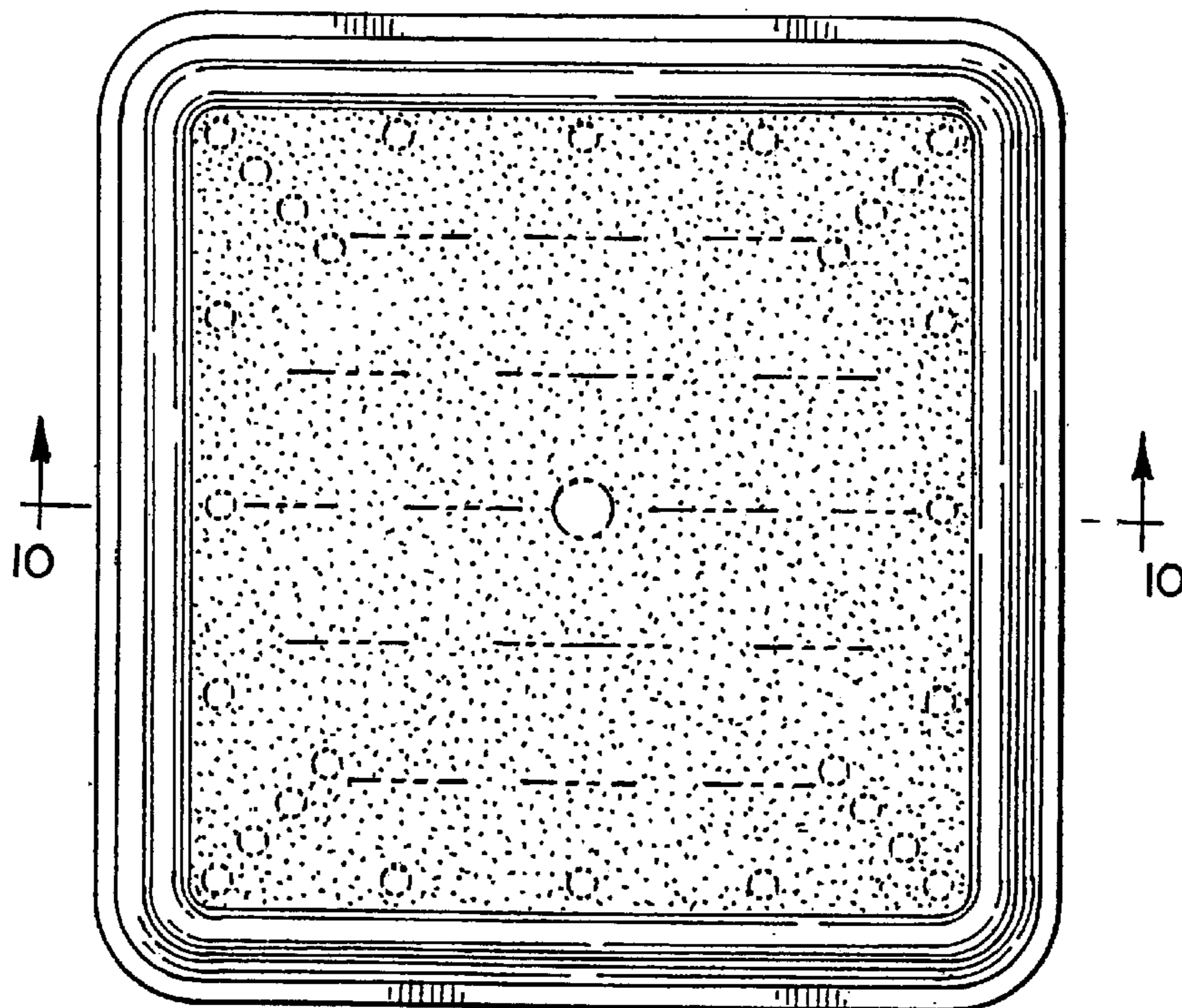


FIG.8



FIG.9

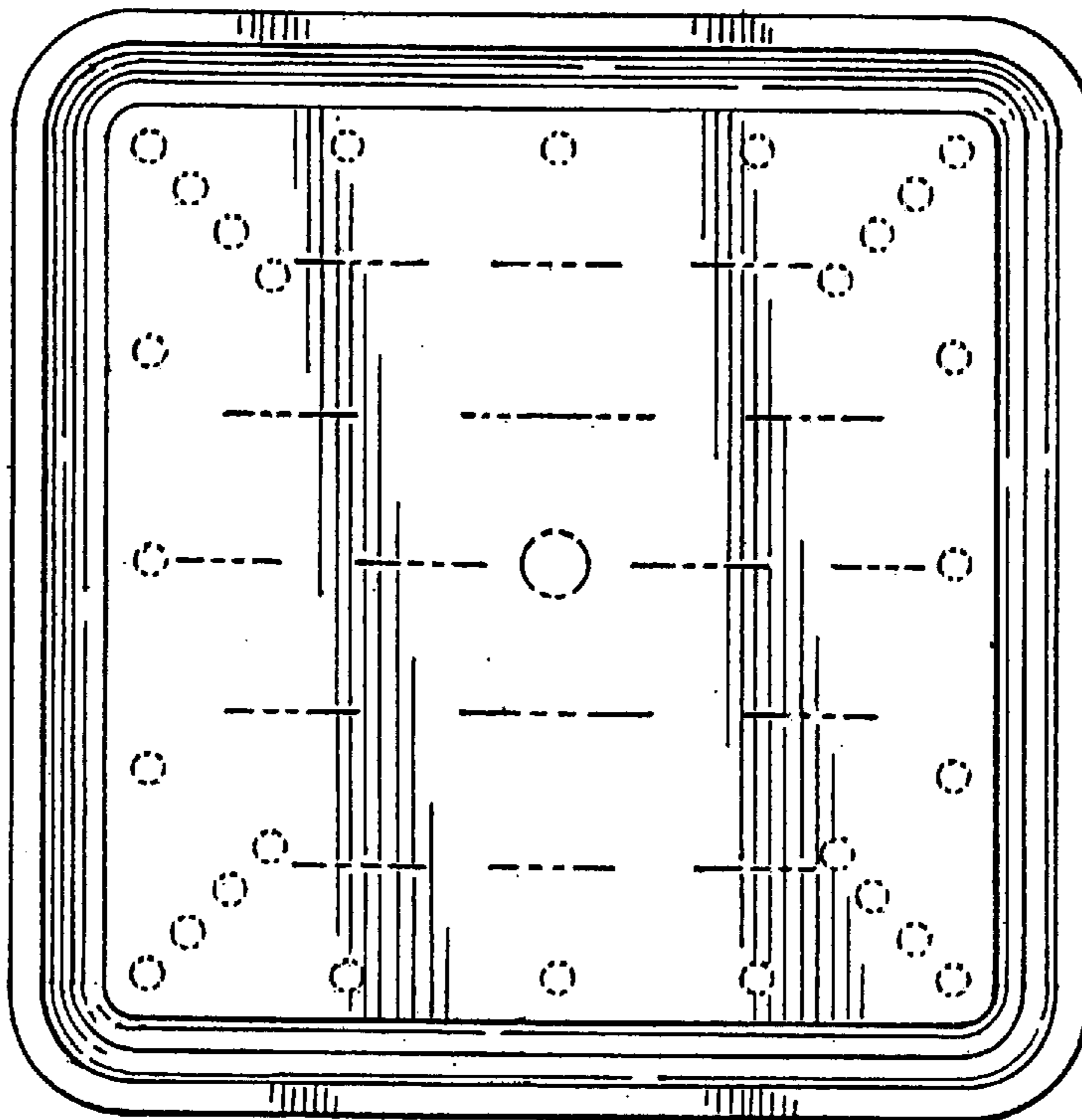
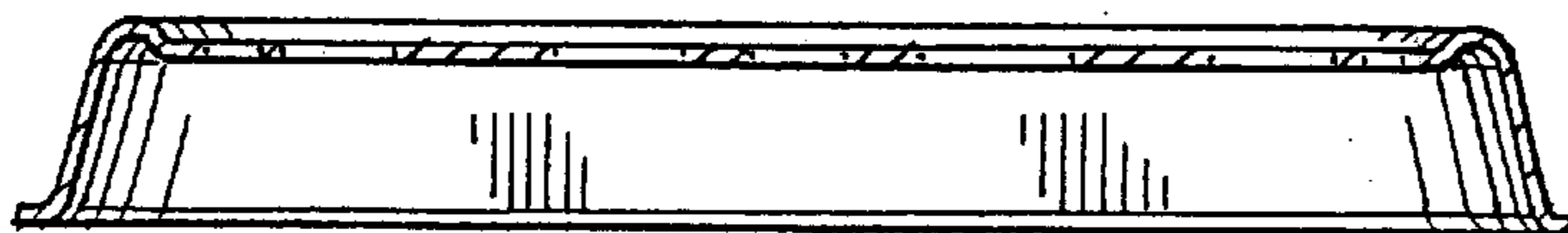


FIG.10



UNITED STATES PATENT AND TRADEMARK OFFICE
CERTIFICATE OF CORRECTION

PATENT NO. : Des. 519,375 S
APPLICATION NO. : 29/217345
DATED : April 25, 2006
INVENTOR(S) : Joseph R. Brooks

Page 1 of 3

It is certified that error appears in the above-identified patent and that said Letters Patent is hereby corrected as shown below:

Under U.S. PATENT DOCUMENTS Section:
Page 2, right column, bewteen lines 11 and 12, insert --6,177,664 A1 01-23-2001
Cole:--

The Title Page

Delete Drawing sheets 3 of 4 and 4 of 4 and substitute therefor the drawing sheets, consisting of 6 - 10 as shown on the attached pages

Signed and Sealed this

Twenty-ninth Day of May, 2007

A handwritten signature in black ink on a dotted background. The signature reads "Jon W. Dudas" in a cursive style.

JON W. DUDAS

Director of the United States Patent and Trademark Office

FIG.6

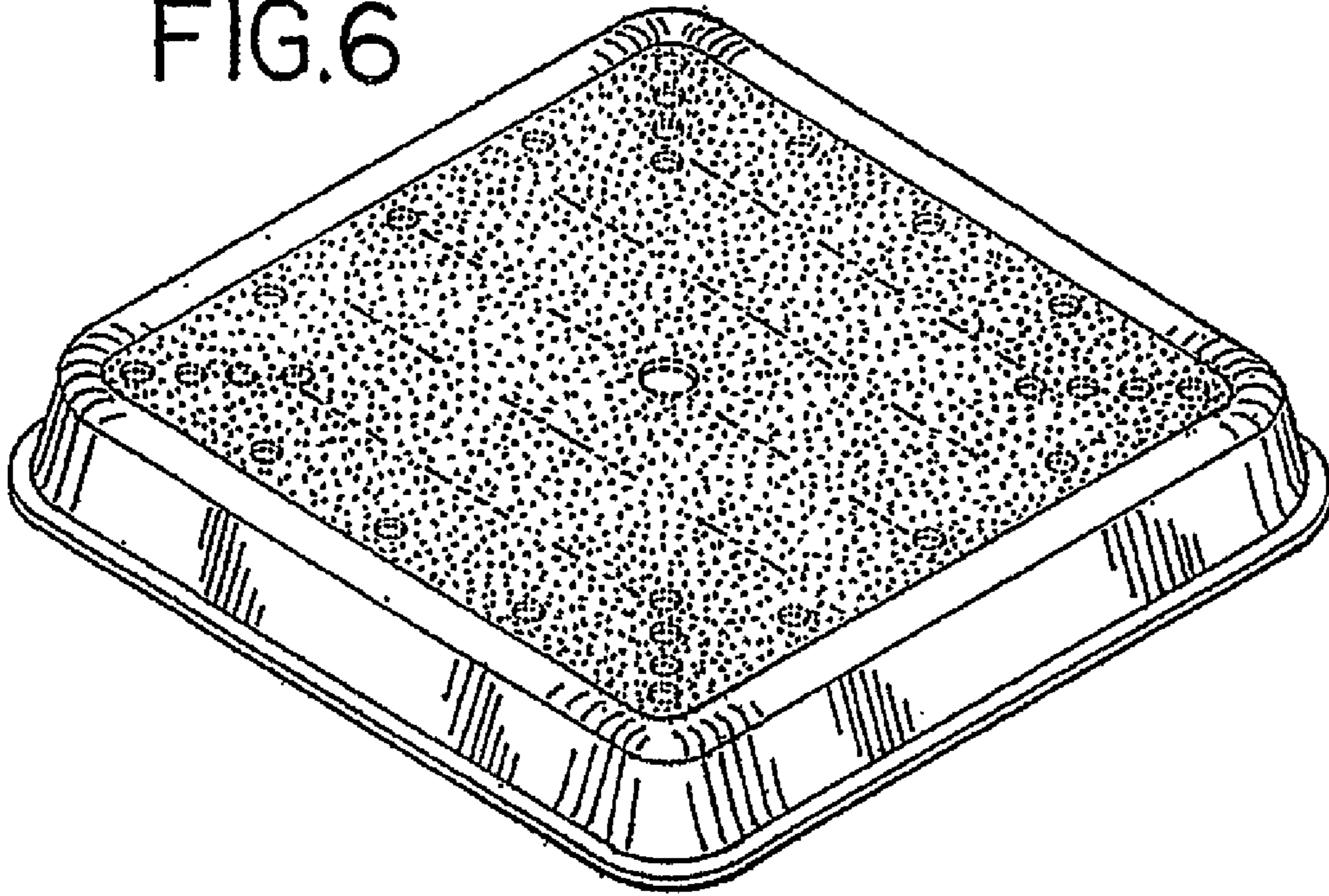


FIG.7

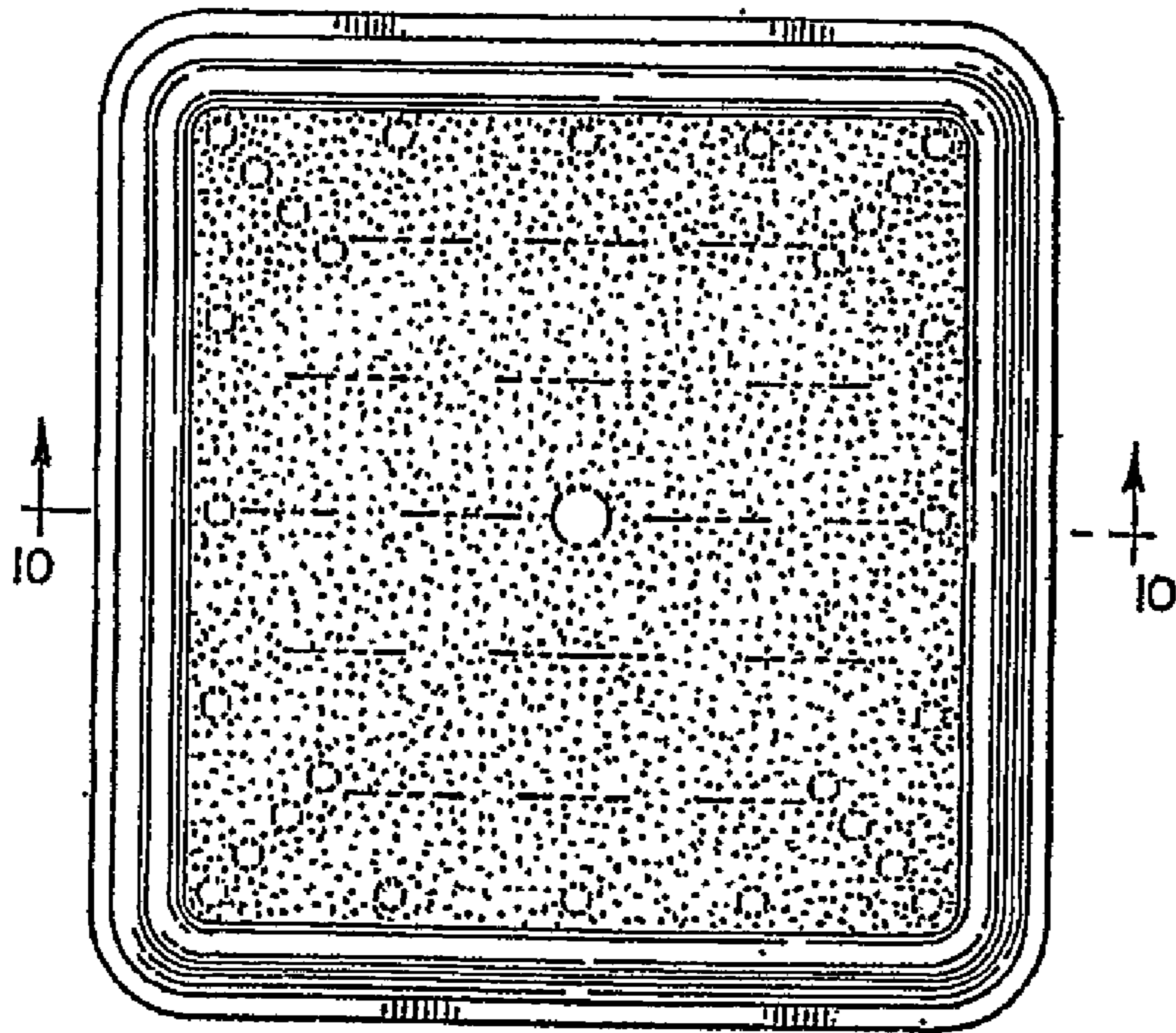


FIG. 8

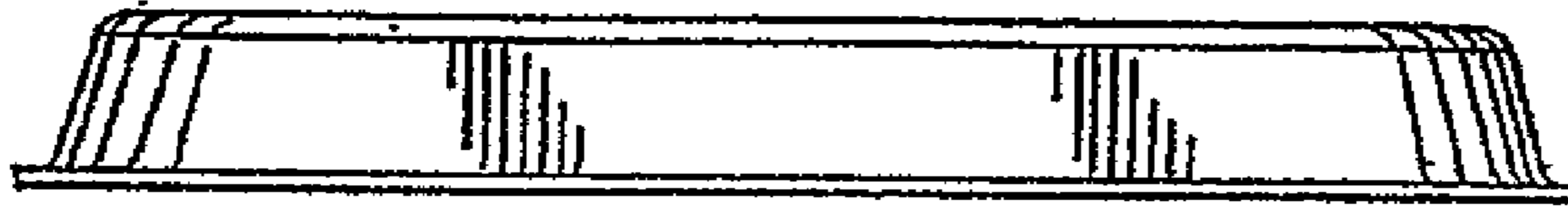


FIG. 9

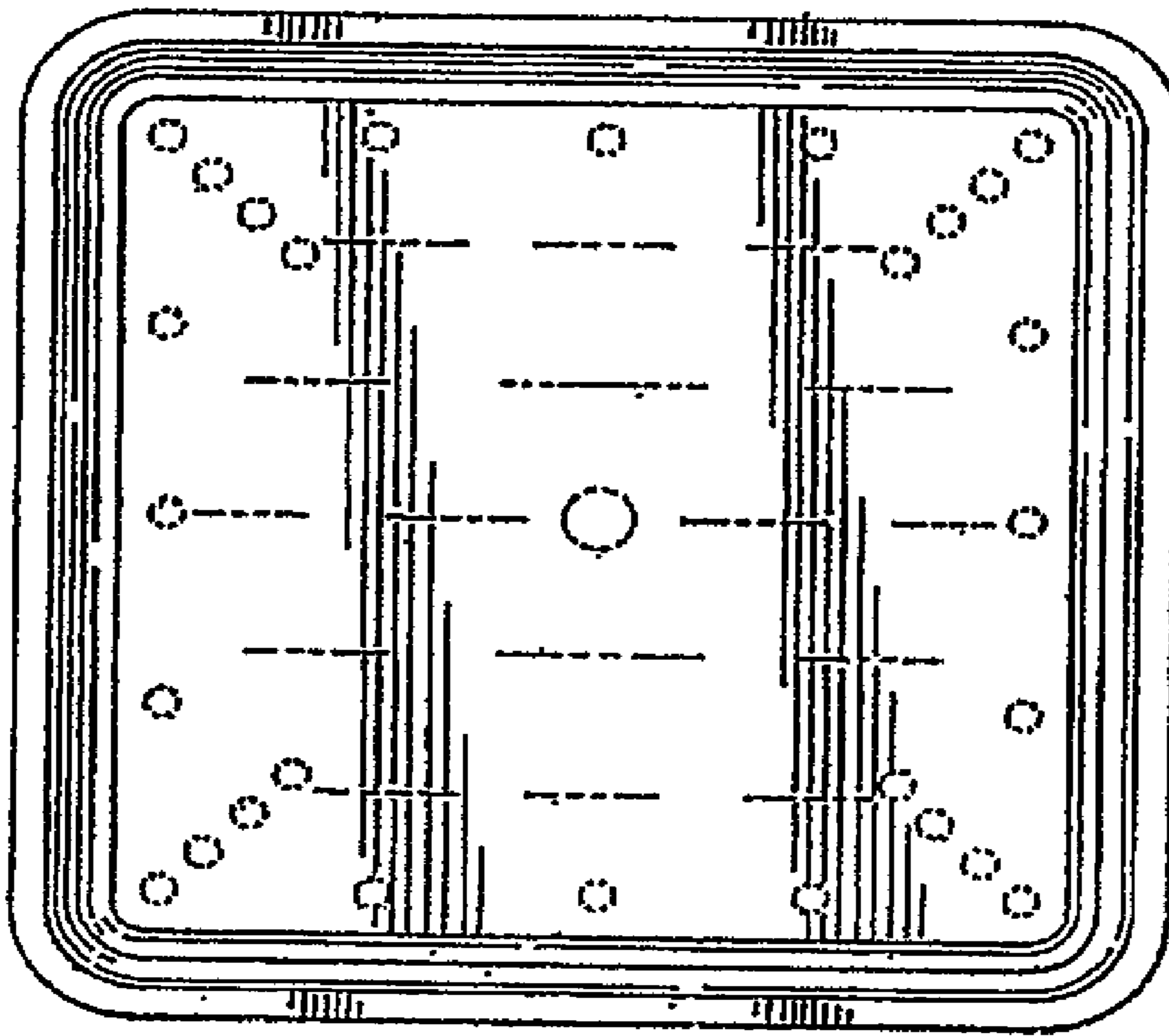


FIG. 10

