



US00D519374S

(12) **United States Design Patent**  
**Hornke**

(10) **Patent No.:** **US D519,374 S**

(45) **Date of Patent:** **\*\* Apr. 25, 2006**

(54) **LID**

(75) Inventor: **Manfred Hornke**, Rotterdam (NL)

(73) Assignee: **Unilever Bestfoods, North America, division of Conopco, Inc.**, Englewood Cliffs, NJ (US)

(\*\*) Term: **14 Years**

(21) Appl. No.: **29/222,189**

(22) Filed: **Jan. 26, 2005**

(30) **Foreign Application Priority Data**

Jul. 30, 2004 (EM) ..... 000210182-0002  
Jul. 30, 2004 (EM) ..... 000210182-0001

(51) **LOC (8) Cl.** ..... **09-07**

(52) **U.S. Cl.** ..... **D9/454**

(58) **Field of Classification Search** ..... D9/454,  
D9/449, 447, 445, 439, 438, 435, 452, 453;  
D7/638, 511, 510, 392, 392.1; D3/323; 220/270-271,  
220/709, 718, 781, 575; 215/254  
See application file for complete search history.

(56) **References Cited**

**U.S. PATENT DOCUMENTS**

3,065,875 A \* 11/1962 Negoro ..... D9/454  
D207,356 S \* 4/1967 McCormick ..... D9/439

D221,420 S \* 8/1971 Davis ..... D9/453  
D243,231 S \* 2/1977 Smith ..... D9/439  
D251,828 S \* 5/1979 Smith ..... D9/452  
D256,558 S \* 8/1980 Smith ..... D9/454  
4,256,233 A \* 3/1981 Harding ..... 215/254  
D292,380 S \* 10/1987 Smith ..... D9/435  
D352,455 S \* 11/1994 Balson ..... D9/447  
D380,385 S \* 7/1997 Litke ..... D9/452  
D389,058 S \* 1/1998 Landis ..... D9/438  
D469,693 S \* 2/2003 Weiss et al. .... D9/452  
D495,600 S \* 9/2004 Kouri ..... D9/435

\* cited by examiner

*Primary Examiner*—Robert M. Spear

*Assistant Examiner*—Susan Bennett Hattan

(74) *Attorney, Agent, or Firm*—Gerard J. McGowan, Jr.

(57) **CLAIM**

The ornamental design for a lid, as shown and described.

**DESCRIPTION**

FIG. 1 is a front perspective view from the above and one side of a lid showing a new design;

FIG. 2 is a top view thereof;

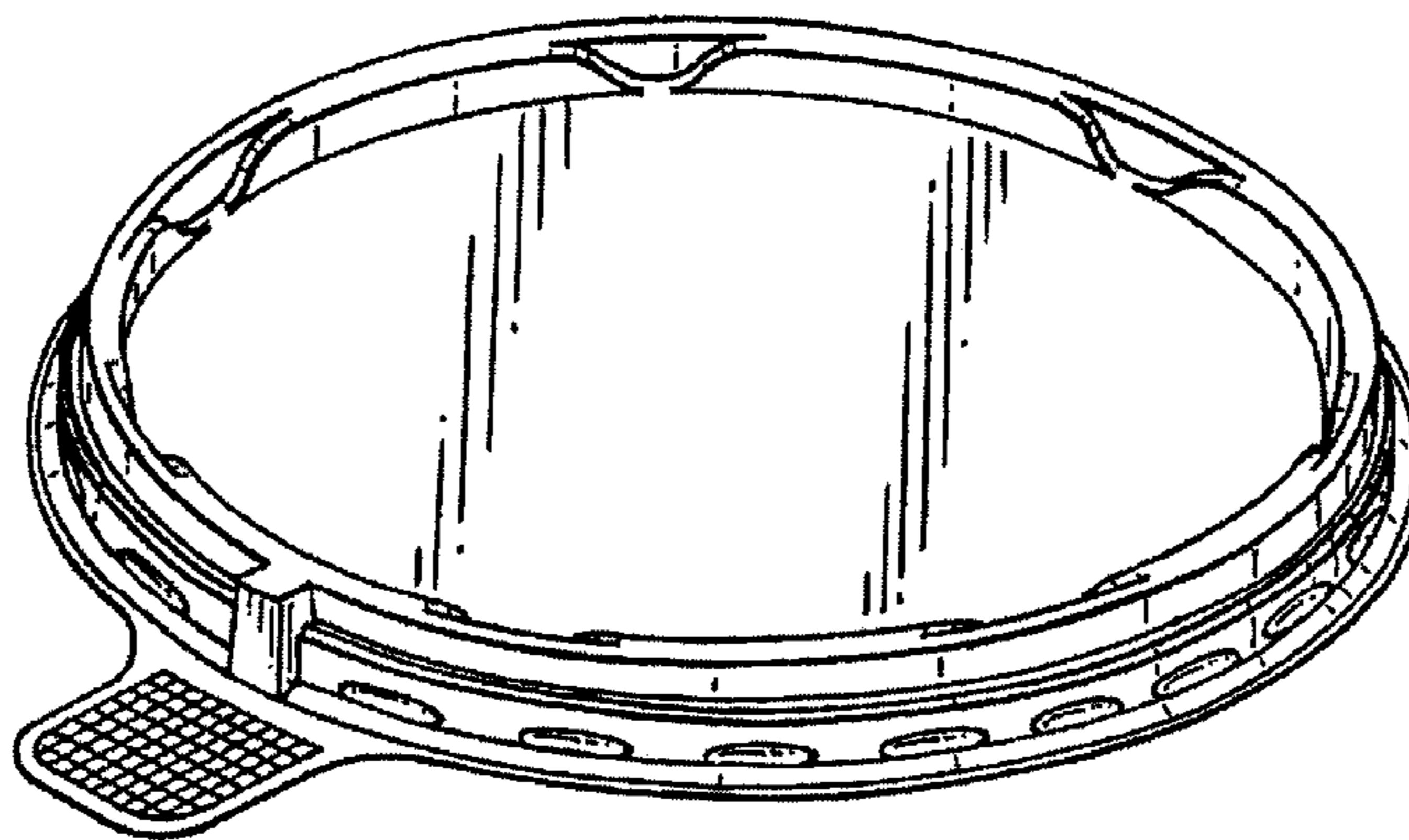
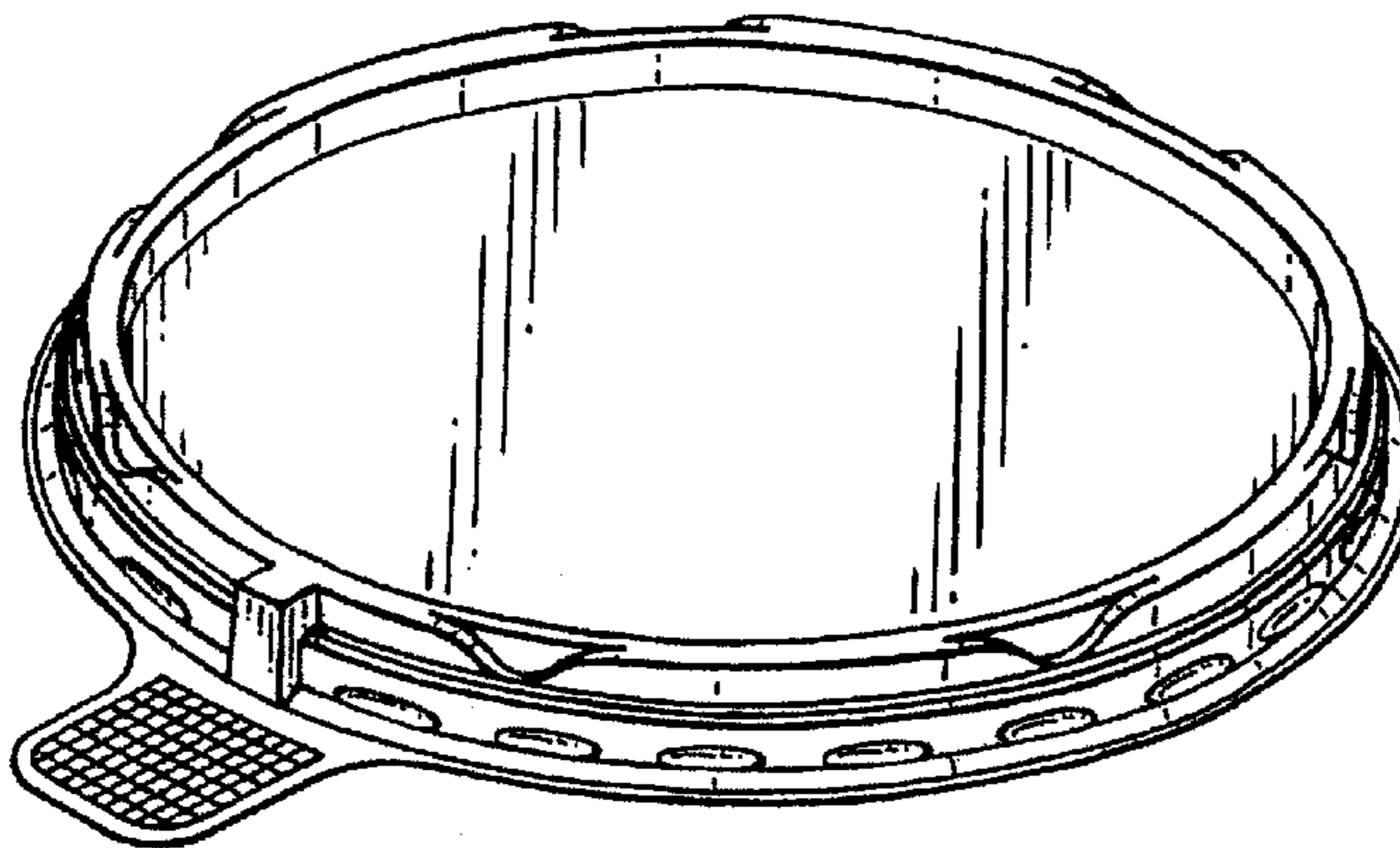
FIG. 3 is a view from the side thereof;

FIG. 4 is a front perspective view from the above and one side of an alternative lid;

FIG. 5 is a top view thereof; and,

FIG. 6 is a view from the side thereof.

**1 Claim, 4 Drawing Sheets**



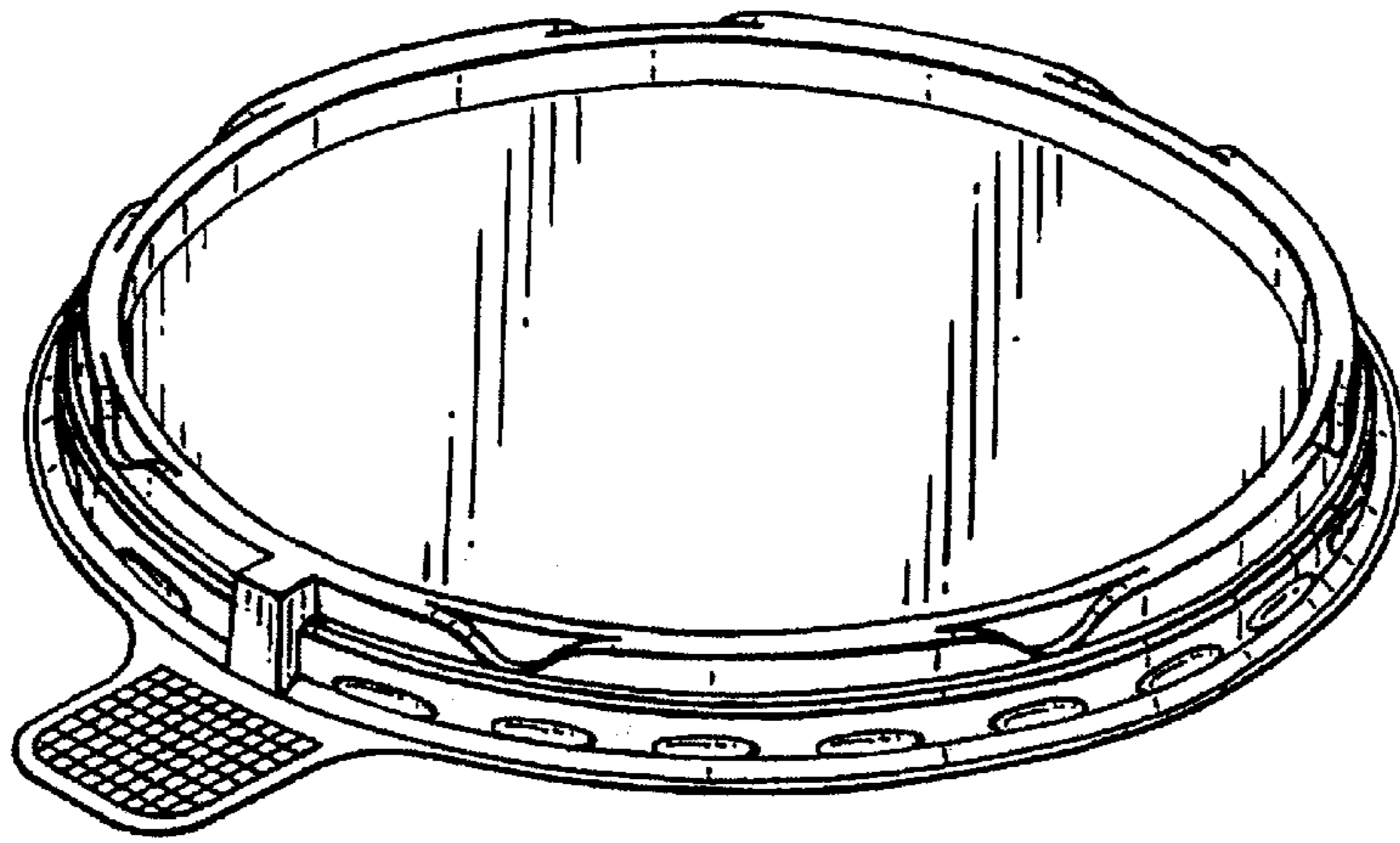


Fig. 1.

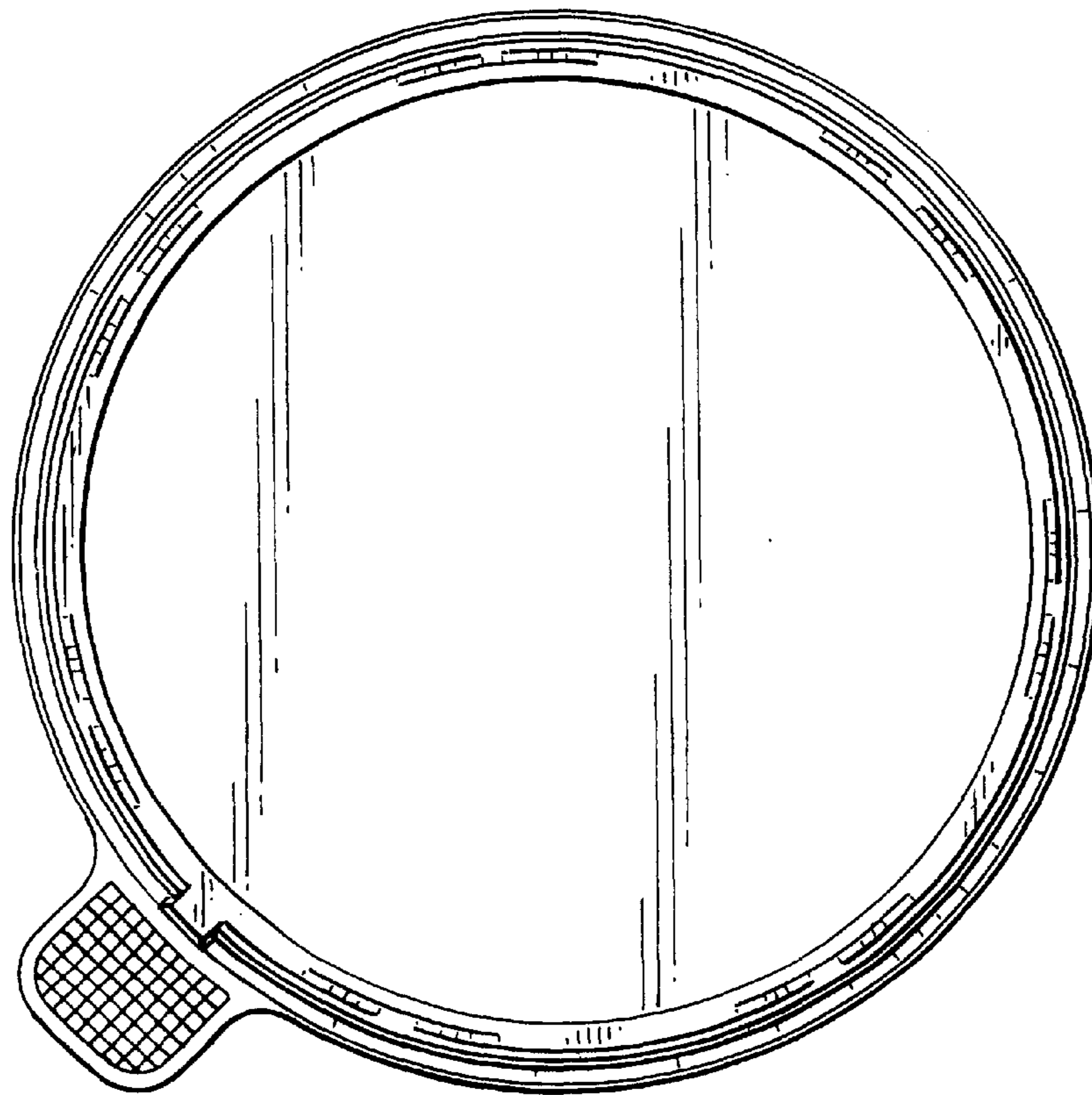


Fig.2.

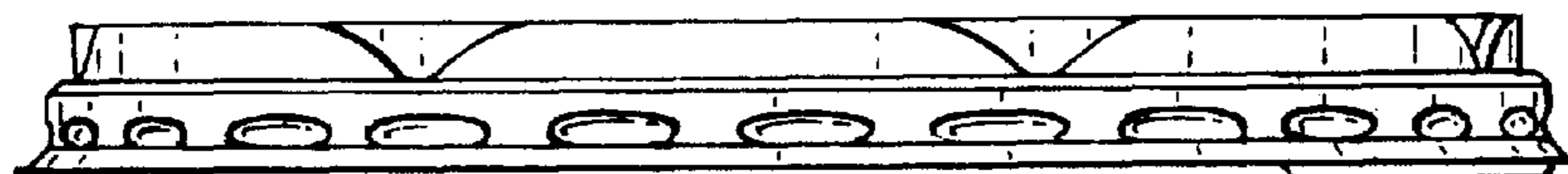


Fig.3.

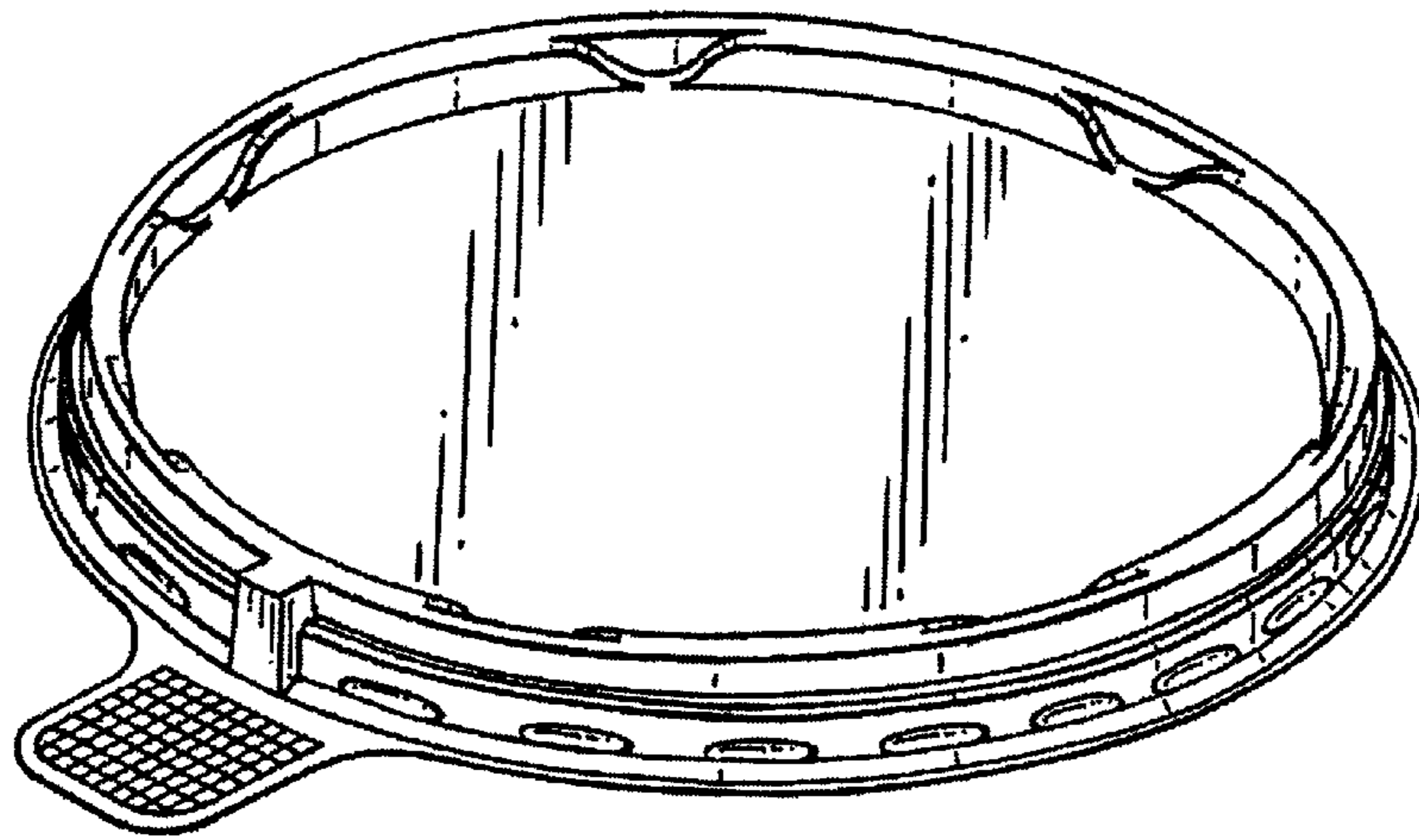


Fig.4.

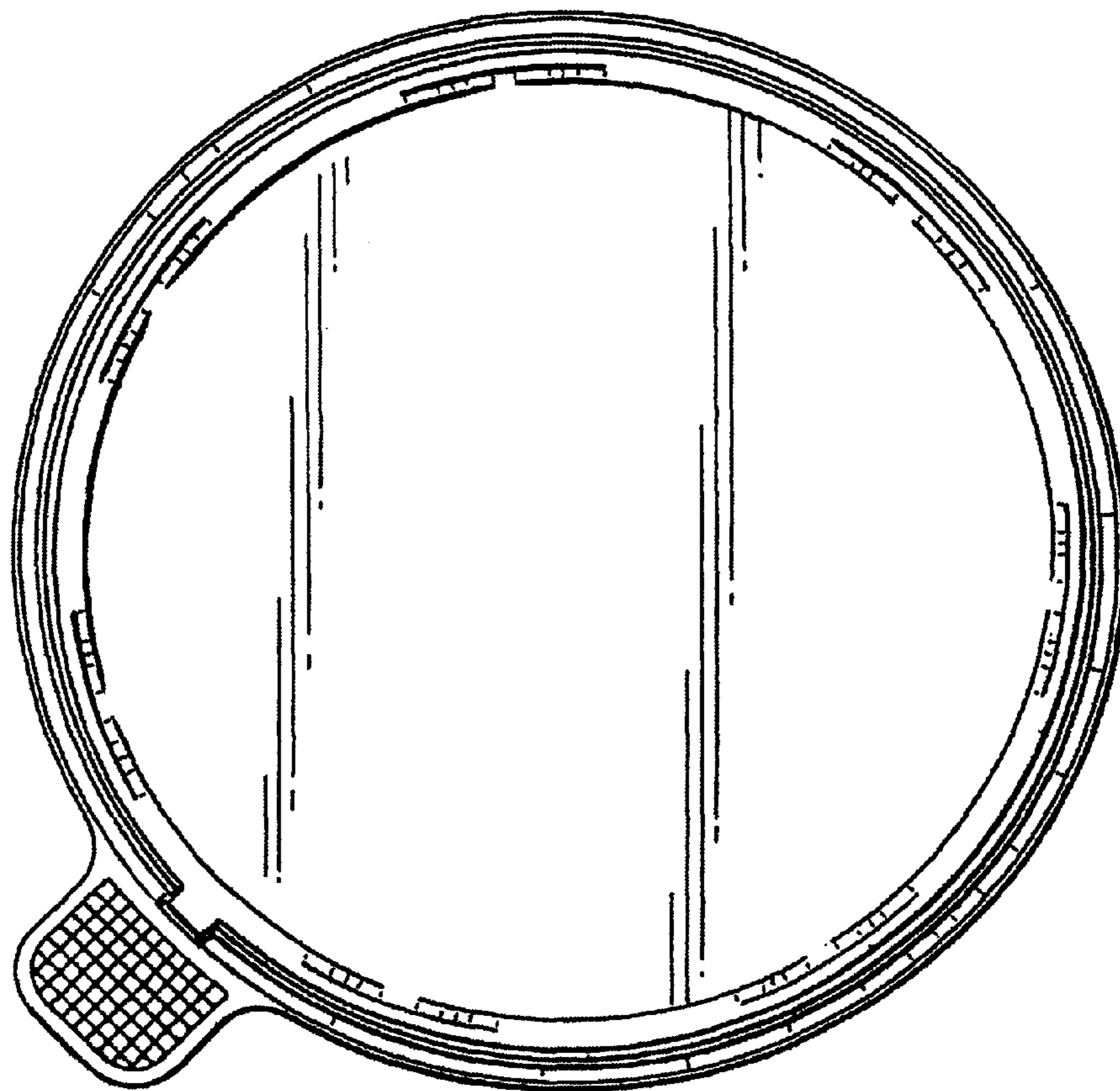


Fig. 5.



Fig. 6.