



US00D519371S

(12) **United States Design Patent**  
**Hornsby et al.**

(10) **Patent No.:** **US D519,371 S**  
(45) **Date of Patent:** **\*\* Apr. 25, 2006**

- (54) **SPRAYER**
- (75) Inventors: **James Russell Hornsby**, St. Louis, MO (US); **Marcellus Rambo Benson**, Chesterfield, MO (US); **James Augustus Keefe, III**, O'Fallon, MO (US); **Joseph Lee McGowan**, St. Charles, MO (US)
- (73) Assignee: **Cepia, LLC**, St. Louis, MO (US)

5,156,304 A	*	10/1992	Battegazzore .....	222/383.1
5,364,111 A		11/1994	Wunsch	
5,397,034 A		3/1995	Wunsch	
5,499,766 A		3/1996	Foster et al.	
5,549,249 A		8/1996	Foster et al.	
5,590,837 A		1/1997	Grogan	
5,716,007 A		2/1998	Nottingham et al.	
5,769,325 A		6/1998	Jouillat et al.	
D423,934 S	*	5/2000	Brozell .....	D9/448
D442,088 S	*	5/2001	Trepina et al. ....	D9/448
6,227,412 B1		5/2001	Sweeton	

(\*\*) Term: **14 Years**

(Continued)

(21) Appl. No.: **29/204,236**

(22) Filed: **Apr. 27, 2004**

(51) **LOC (8) Cl.** ..... **09-07**

(52) **U.S. Cl.** ..... **D9/448**

(58) **Field of Classification Search** ..... D9/685,  
D9/682, 448, 447, 434; D23/229, 227, 226,  
D23/223, 213; 239/448, 331, 332; 222/385,  
222/383.3, 383.2, 323, 383.1, 324, 304, 1,  
222/153.11-14

See application file for complete search history.

(56) **References Cited**

**U.S. PATENT DOCUMENTS**

2,704,690 A	3/1955	Eichenauer	
3,445,068 A	5/1969	Wagner	
3,967,765 A	7/1976	Micallef	
3,993,250 A	11/1976	Shure	
4,020,979 A	5/1977	Shay et al.	
4,182,496 A	1/1980	Burke	
4,189,098 A	2/1980	Wagner et al.	
4,204,614 A	5/1980	Reeve	
4,234,128 A	11/1980	Quinn et al.	
4,273,290 A	6/1981	Quinn	
4,393,993 A	7/1983	Kille et al.	
4,516,695 A	5/1985	Garneau	
4,618,099 A	10/1986	Nagao et al.	
4,706,888 A	11/1987	Dobbs	
4,881,687 A	11/1989	Ballu	
5,014,884 A	5/1991	Wunsch	
5,147,074 A	*	9/1992	Battegazzore ..... 222/383.1
5,150,841 A	9/1992	Silvenis et al.	

**OTHER PUBLICATIONS**

<http://www.solousa.com>, 3 pages, Nov. 2004, "Chemical Applicators: Backpack Sprayers".

<http://www.solousa.com>, 1 pages, Nov. 2004, "Chemical Applicators: Handheld Sprayers".

Saint-Gobain Calmar Inc., Copyright 2004, "PS2003 Ready to Use Power Sprayer", 2 pages.

*Primary Examiner*—Robert M. Spear

*Assistant Examiner*—Susan Bennett Hattan

(74) *Attorney, Agent, or Firm*—Dorsey & Whitney LLP

(57)

**CLAIM**

The ornamental design for a sprayer, as shown.

**DESCRIPTION**

FIG. 1 is a side elevational view of one side of a sprayer showing our new design;

FIG. 2 is a side elevational view of the other side;

FIG. 3 is a top plan view thereof;

FIG. 4 is a bottom plan view thereof;

FIG. 5 is a front elevational view thereof;

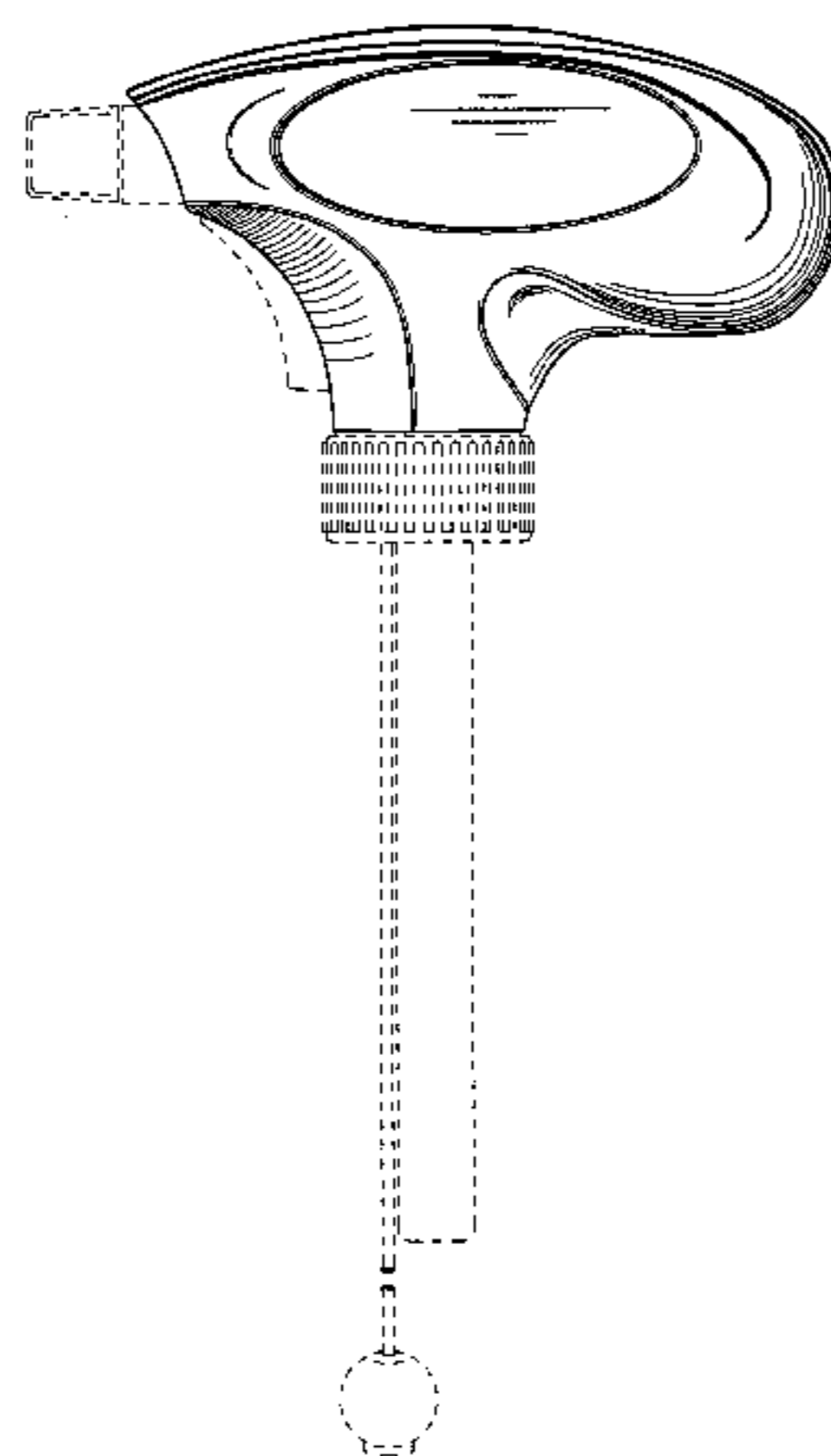
FIG. 6 is a rear elevational view thereof.

FIG. 7 is a front perspective view thereof, shown at a reduced scale; and,

FIG. 8 is rear perspective view thereof.

The broken lines shown in the accompanying drawings are for illustrative purposes only and do not form part of the claimed design.

**1 Claim, 8 Drawing Sheets**



# US D519,371 S

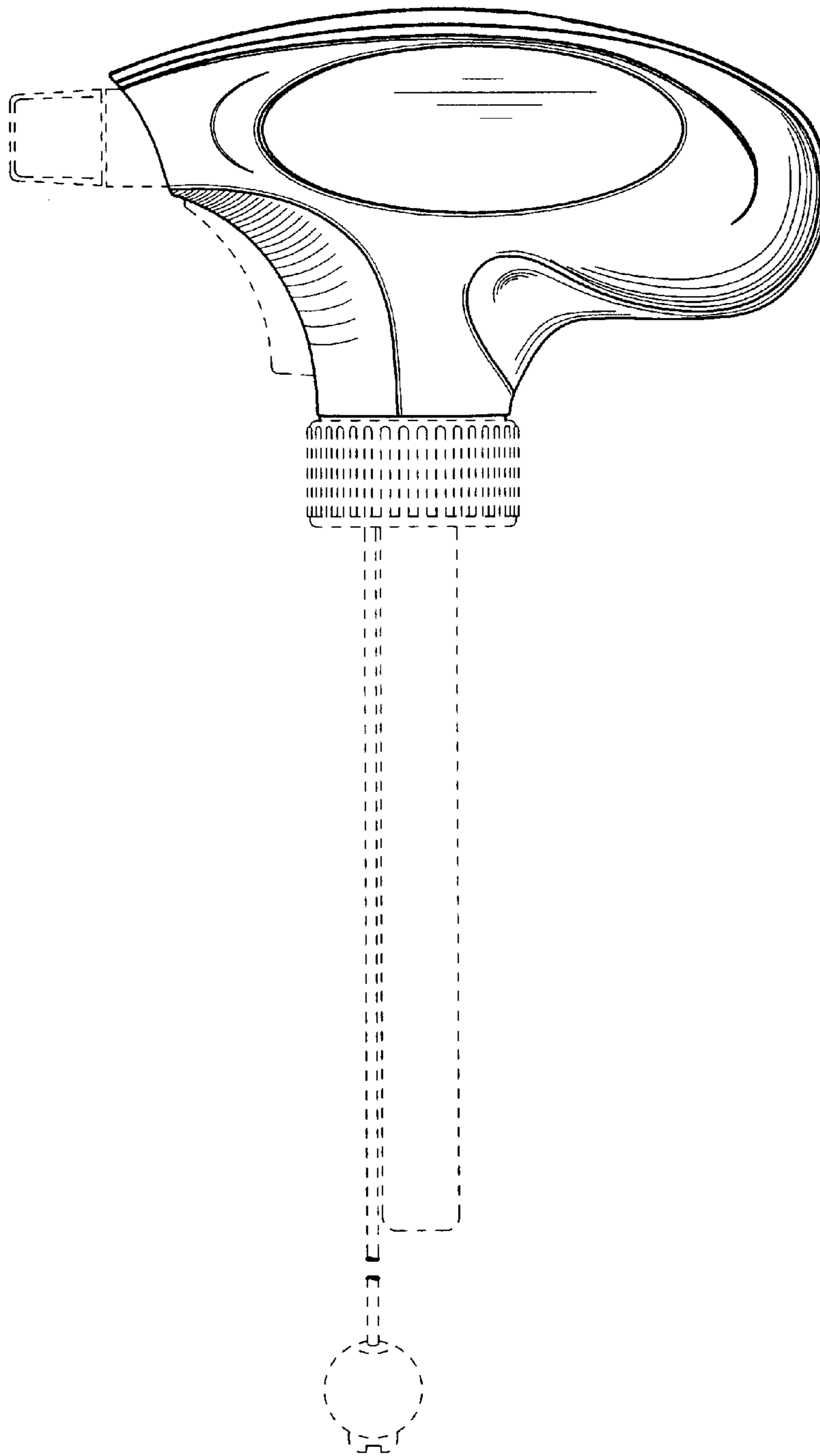
Page 2

---

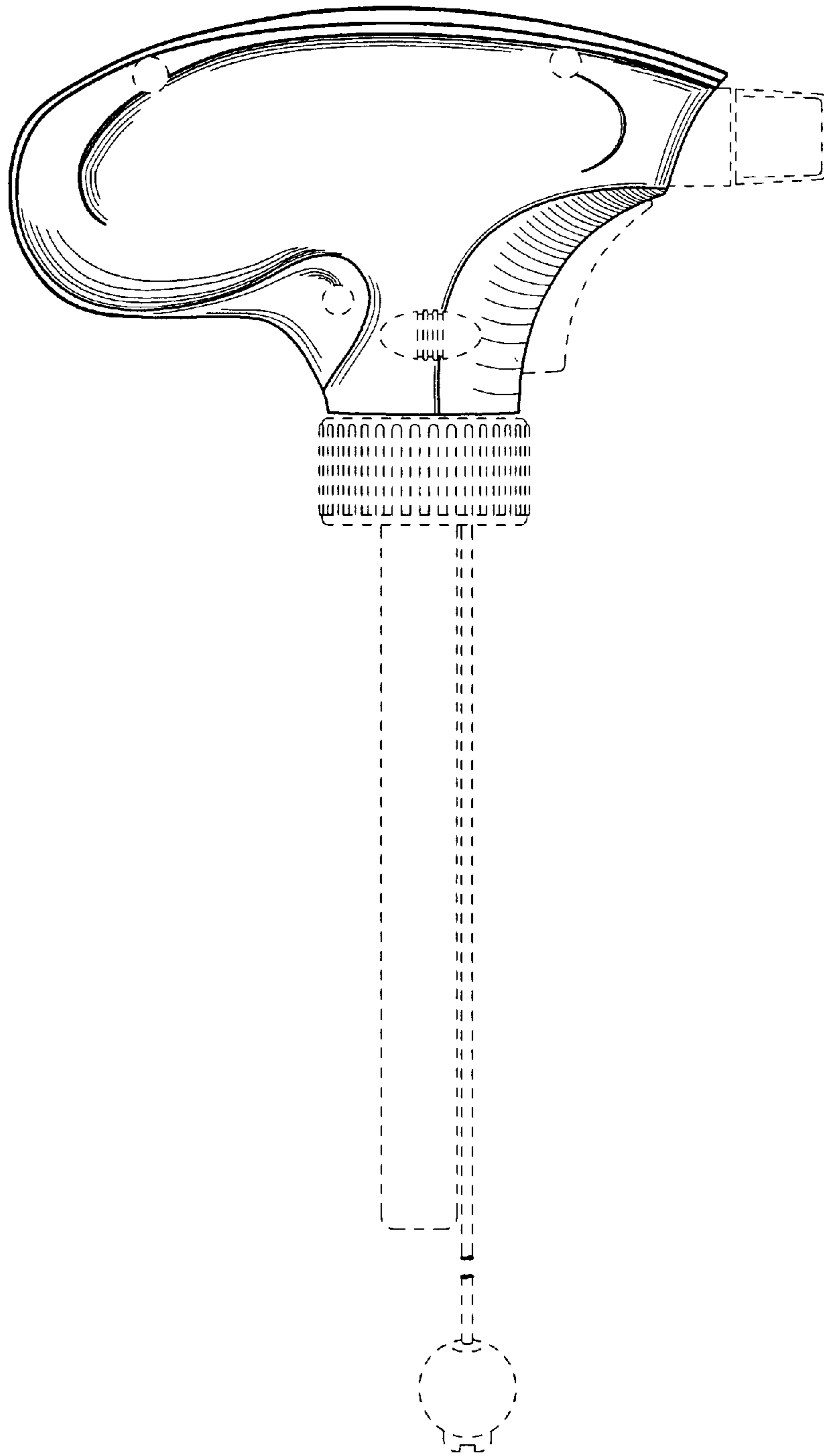
## U.S. PATENT DOCUMENTS

D454,778 S *	3/2002	Siebert et al. ....	D9/448	D494,866 S *	8/2004	Guala .....	D9/448
D454,779 S *	3/2002	Siebert et al. ....	D9/685	D495,399 S *	8/2004	Guala .....	D23/213
6,478,196 B1	11/2002	Fuchs		2003/0052194 A1	3/2003	Streutker et al.	
6,502,766 B1	1/2003	Streutker et al.		2005/0133624 A1 *	6/2005	Hornsby et al. ....	239/332
6,554,211 B1	4/2003	Prueter et al.		2005/0189381 A1 *	9/2005	Tsuchida .....	222/383.1
6,752,330 B1 *	6/2004	DiMaggio et al. ....	239/332				

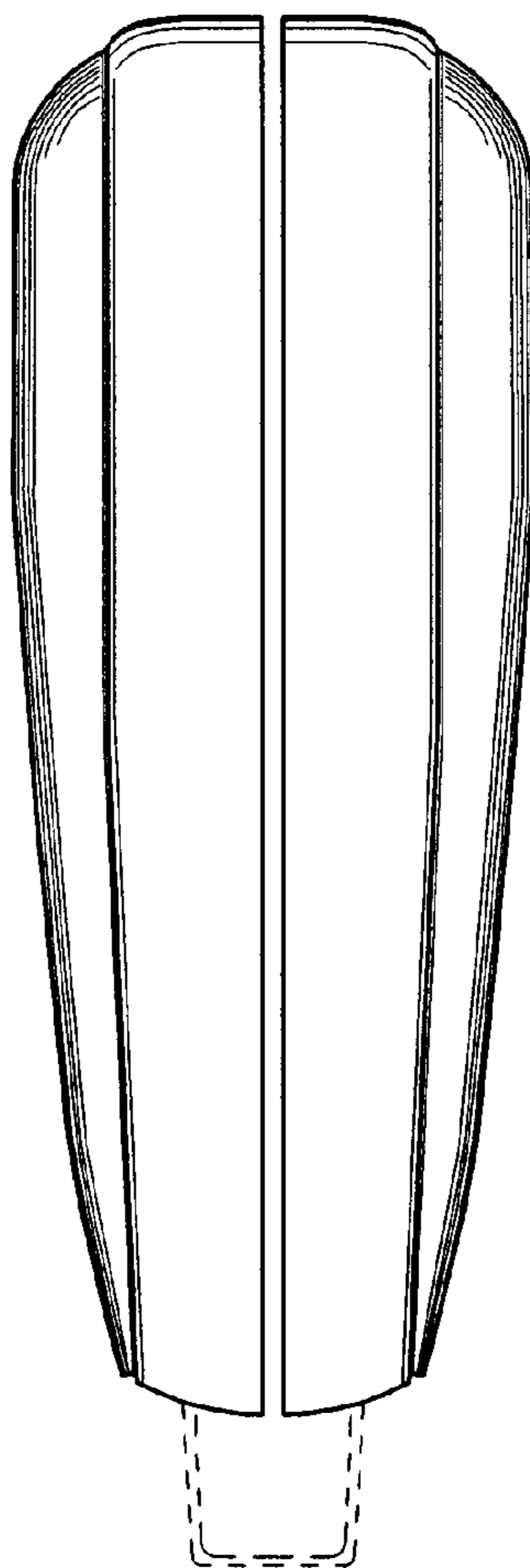
\* cited by examiner



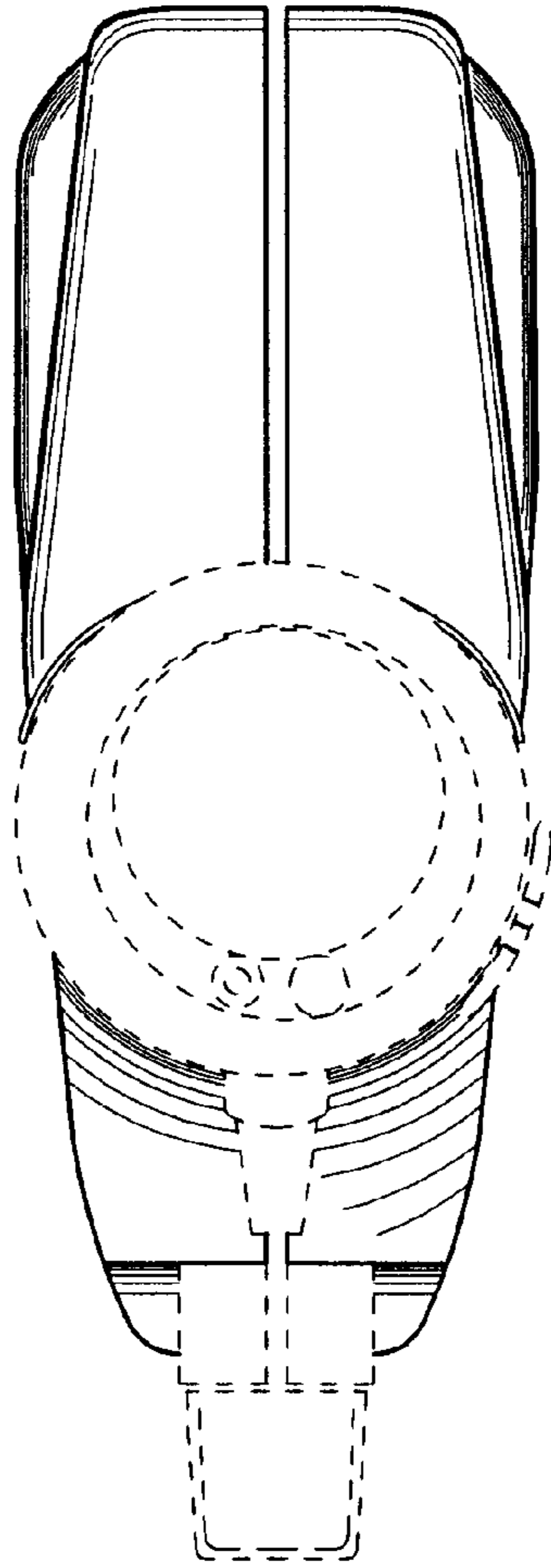
*Fig. 1*



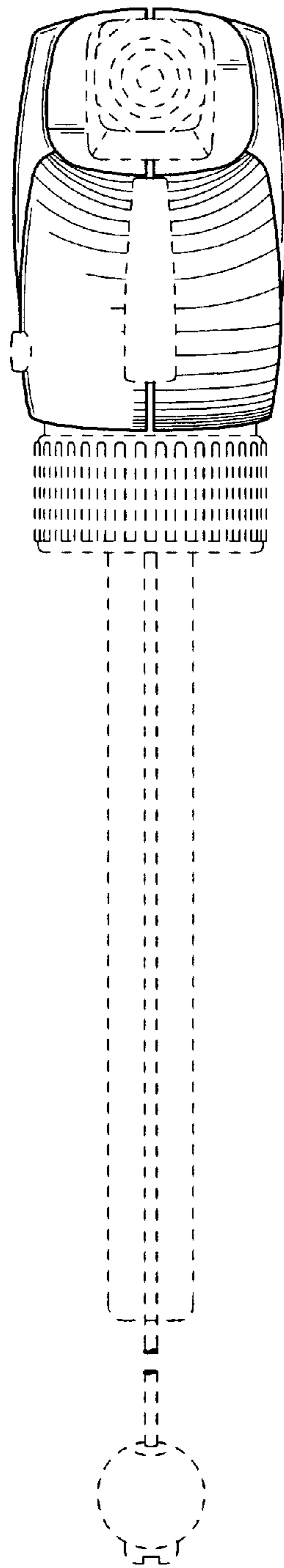
*Fig. 2*



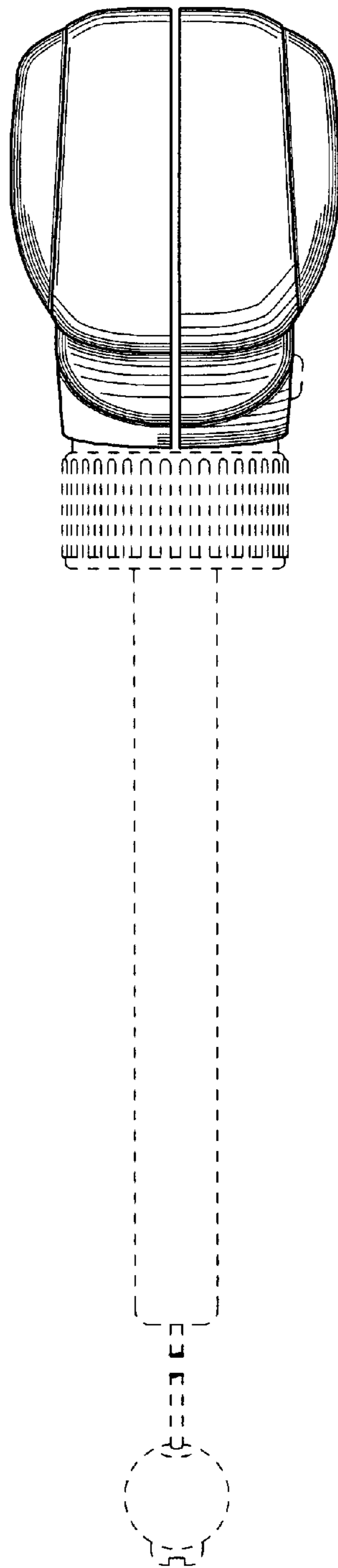
*Fig. 3*



*Fig. 4*

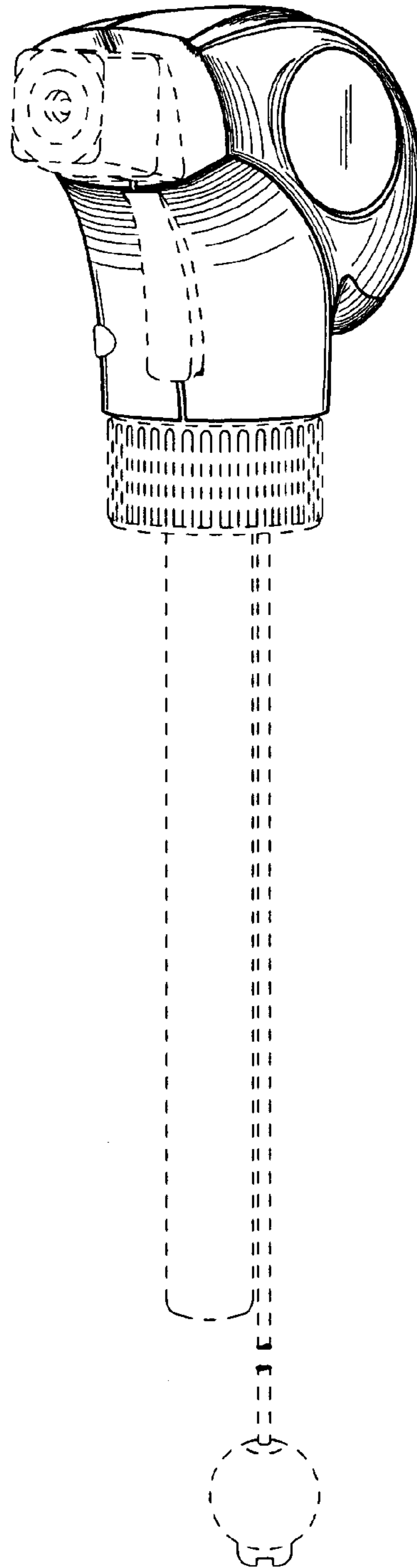


*Fig. 5*

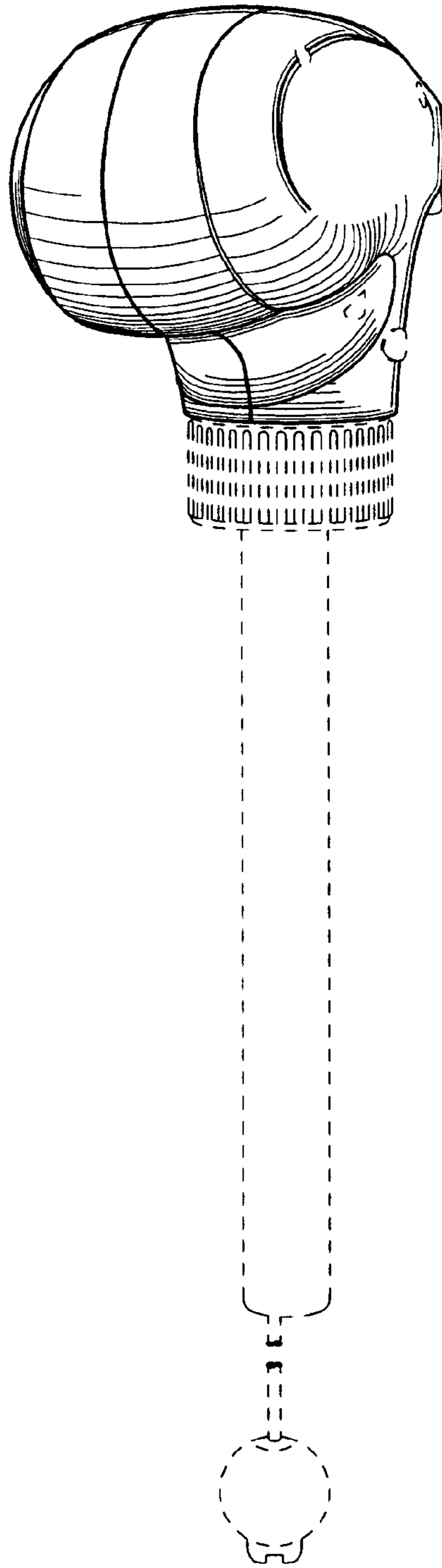


*Fig. 6*





*Fig. 7*



*Fig. 8*