



US00D519370S

(12) **United States Design Patent** (10) **Patent No.:** **US D519,370 S**
Halfacre et al. (45) **Date of Patent:** **** Apr. 25, 2006**

(54) **VALVE WITH DUST COVER**

(75) Inventors: **J. Wayne Halfacre**, New Fairfield, CT (US); **John S. Gruver**, New Canaan, CT (US); **Christian Randhahn**, Bethel, CT (US); **Charles A. Curtiss**, Norwalk, CT (US); **Stuart Leslie**, Larchmont, NY (US); **Christopher J. Matice**, Bellbrook, OH (US); **Stephen P. DeHoff**, Cincinnati, OH (US)

(73) Assignee: **Nestle Waters North America, Inc.**, Greenwich, CT (US)

(**) Term: **14 Years**

(21) Appl. No.: **29/192,510**

(22) Filed: **Oct. 24, 2003**

(51) **LOC (8) Cl.** **09-07**

(52) **U.S. Cl.** **D9/447; D7/398**

(58) **Field of Classification Search** D9/450, D9/449, 447, 440, 439, 435, 434, 443; D7/398, D7/397, 387, 320, 314, 313, 300; D23/233, D23/226, 213; 222/636, 631, 587, 546, 544, 222/529, 189.06, 455; 220/709, 705, 388; D11/221

See application file for complete search history.

(56) **References Cited**

U.S. PATENT DOCUMENTS

D146,795	S	*	5/1947	Hood	D9/450
D200,230	S	*	2/1965	Seltsam	D7/398
3,195,789	A	*	7/1965	Hoffman	222/455
3,355,068	A	*	11/1967	Harland et al.	D7/398
D285,538	S	*	9/1986	Trumstedt	D9/447
D404,305	S	*	1/1999	De Baschmakoff	D9/449
D429,153	S	*	8/2000	Gabriel et al.	D9/447
D440,631	S	*	4/2001	Shipway	D23/233

OTHER PUBLICATIONS

DS Smith (UK) Limited, World Wide Dispensers Brochure, 2001, available at <http://www.dssmith-plastics.com/downloads/English_WD.pdf> (last visited Oct. 23, 2003).

DS Smith (UK) Limited, World Wide Dispensers Press Taps Drawings, accessed at <<http://www.wwdusa.com/7-pd.html>> (as viewed on Sep. 9, 2002), currently available at <<http://www.wwdusa.com/drawpress.htm>> (last visited Oct. 23, 2003).

DS Smith (UK) Limited, World Wide Dispensers Press Taps Product Description, accessed at <<http://www.wwdusa.com/7-press.html>> (as viewed on Sep. 9, 2002), currently available at <<http://www.wwdusa.com/tappress.htm>> (last visited Oct. 23, 2003).

* cited by examiner

Primary Examiner—Robert M. Spear

Assistant Examiner—Susan Bennett Hattan

(74) *Attorney, Agent, or Firm*—Fish & Neave IP Group Ropes & Gray LLP; Jeffrey C. Aldridge

(57) **CLAIM**

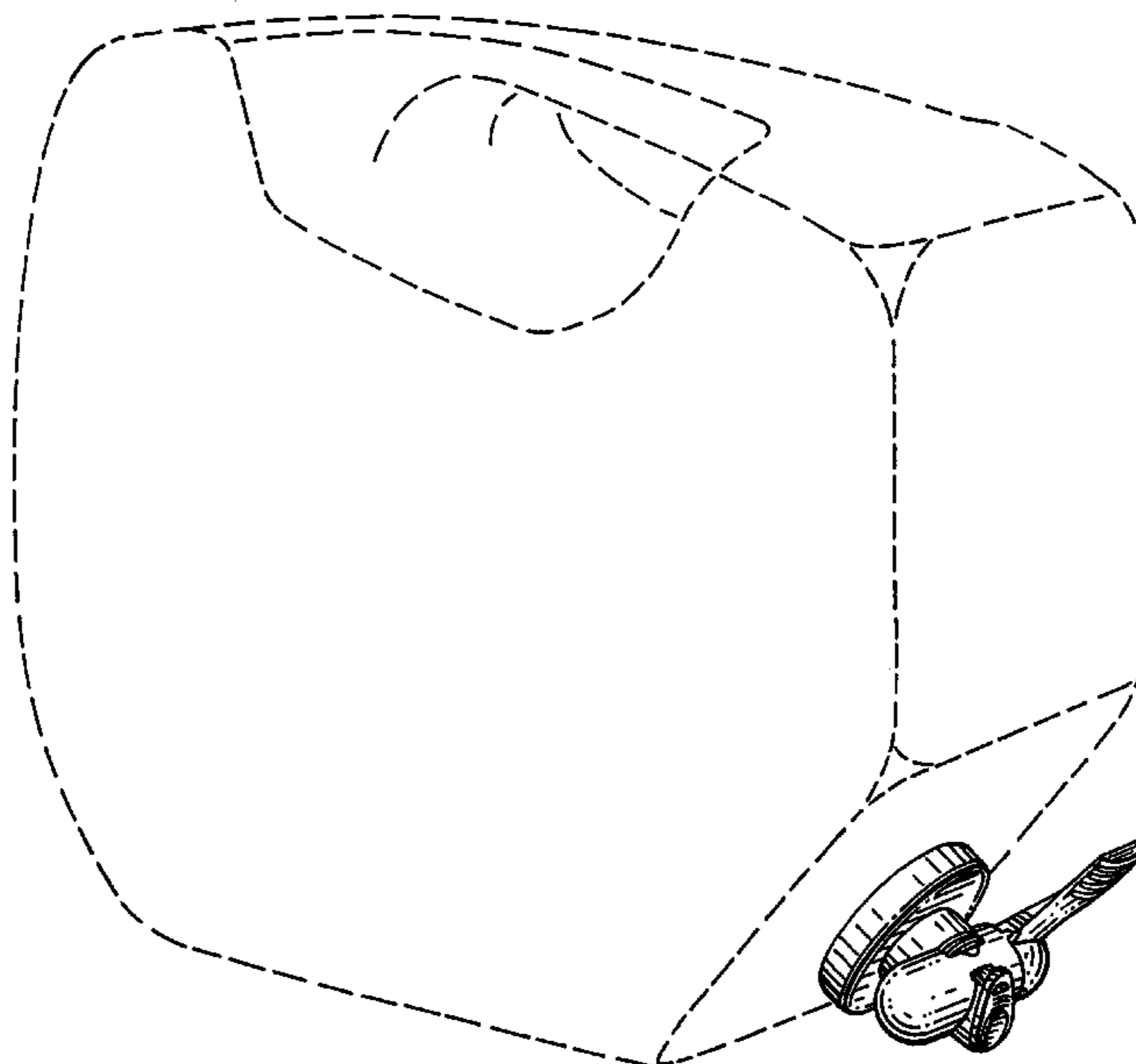
The ornamental design for a valve with dust cover, as shown and described.

DESCRIPTION

FIG. 1 is a top, front, left perspective view of a valve with dust cover showing our new design; FIG. 2 is a top plan view thereof; FIG. 3 is a front elevational view thereof; FIG. 4 is a right side elevational view thereof; FIG. 5 is a left side elevational view thereof; FIG. 6 is a rear elevational view thereof; and, FIG. 7 is a bottom view thereof.

The broken lines in the drawings are for illustrative purposes only and form no part of the claimed design.

1 Claim, 3 Drawing Sheets



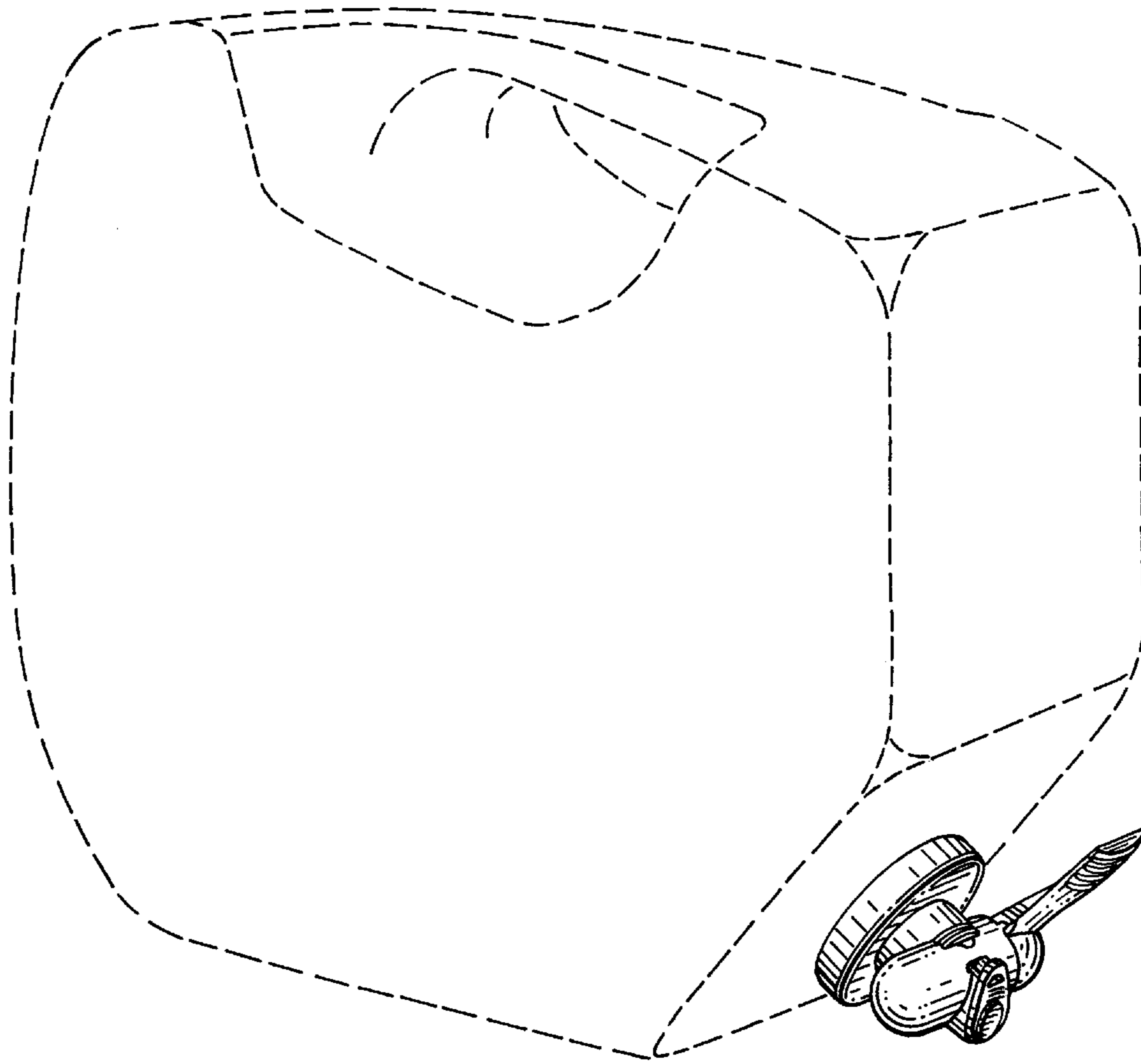


FIG. 1

FIG. 2

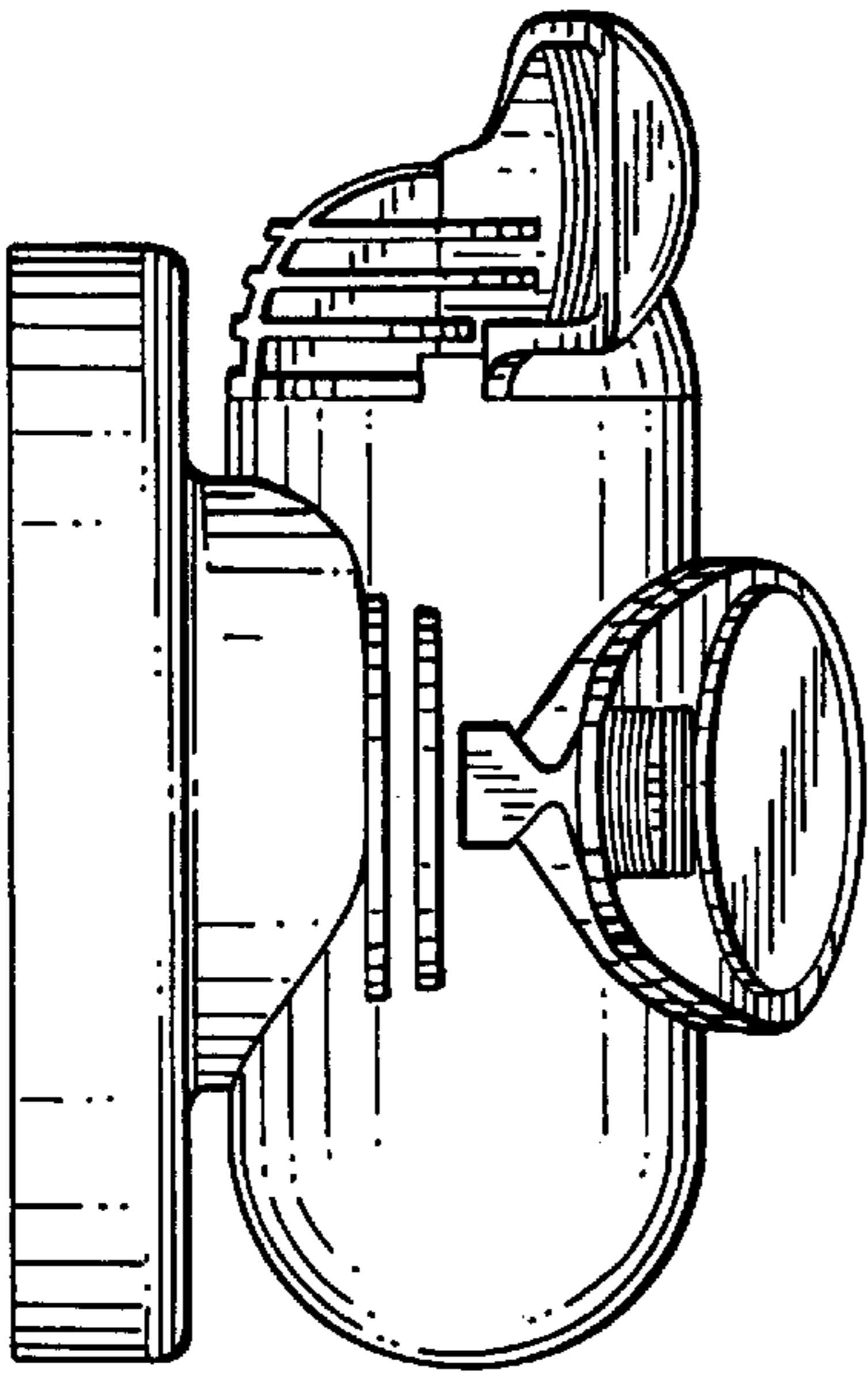


FIG. 4

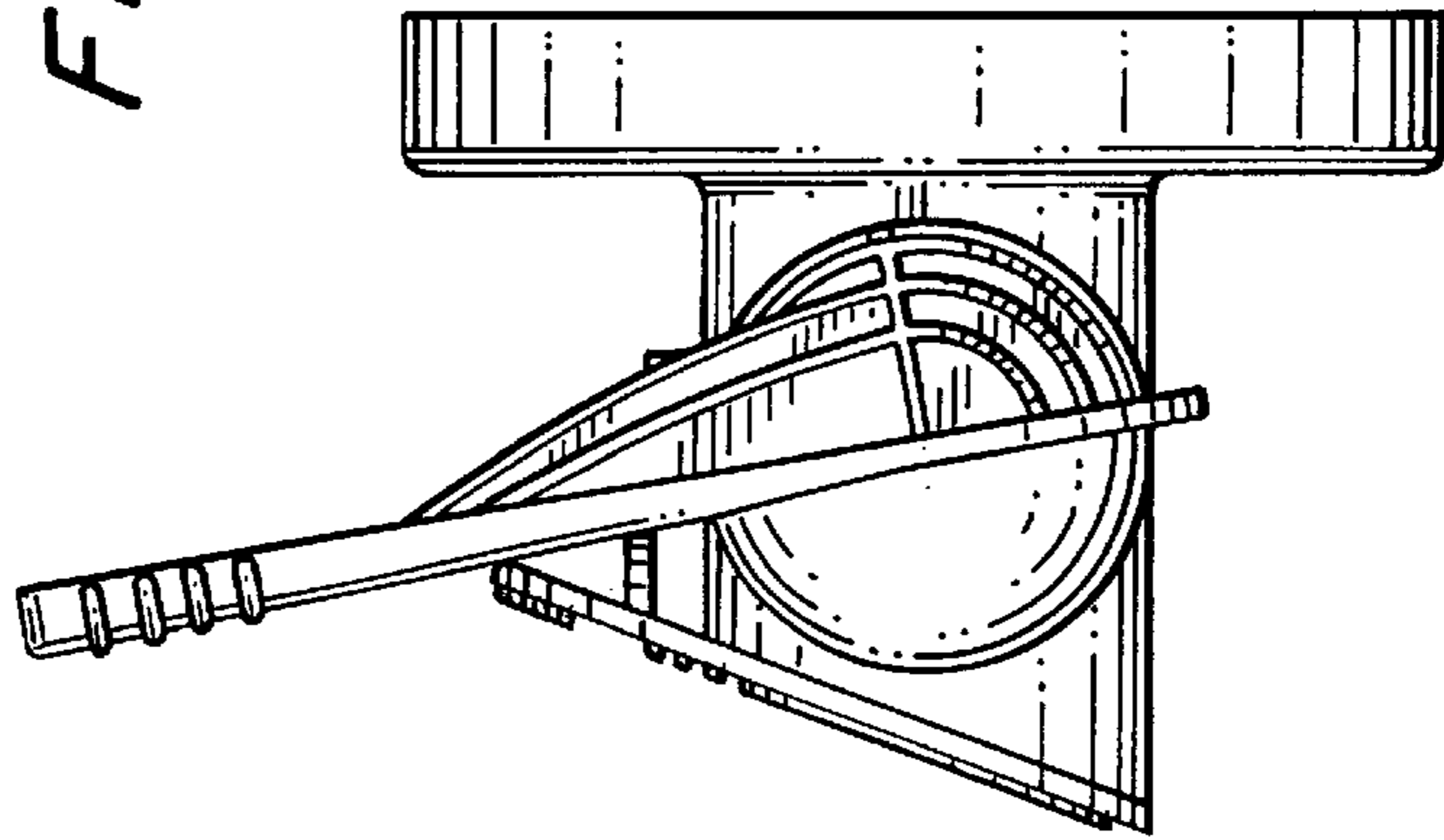
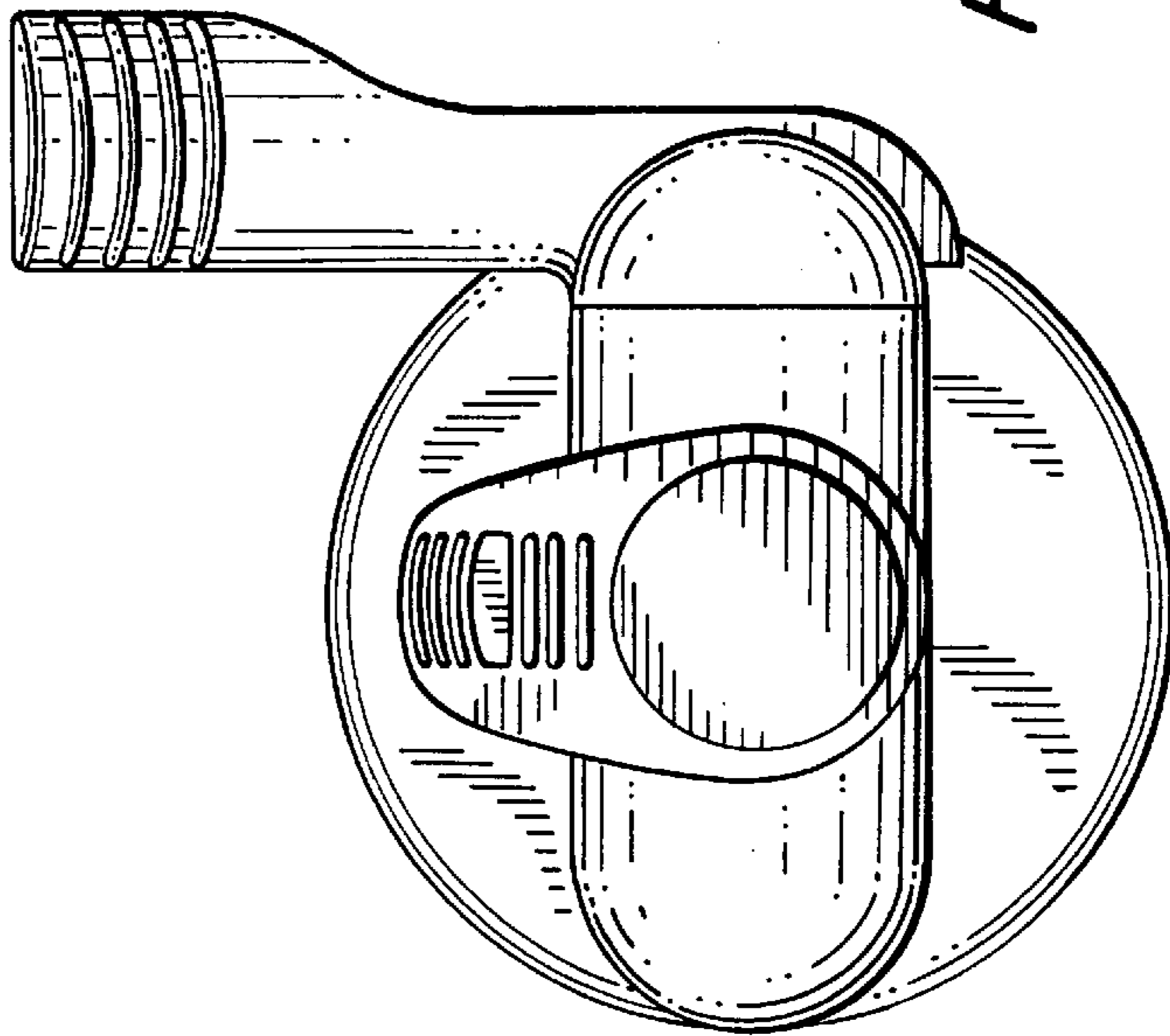


FIG. 3



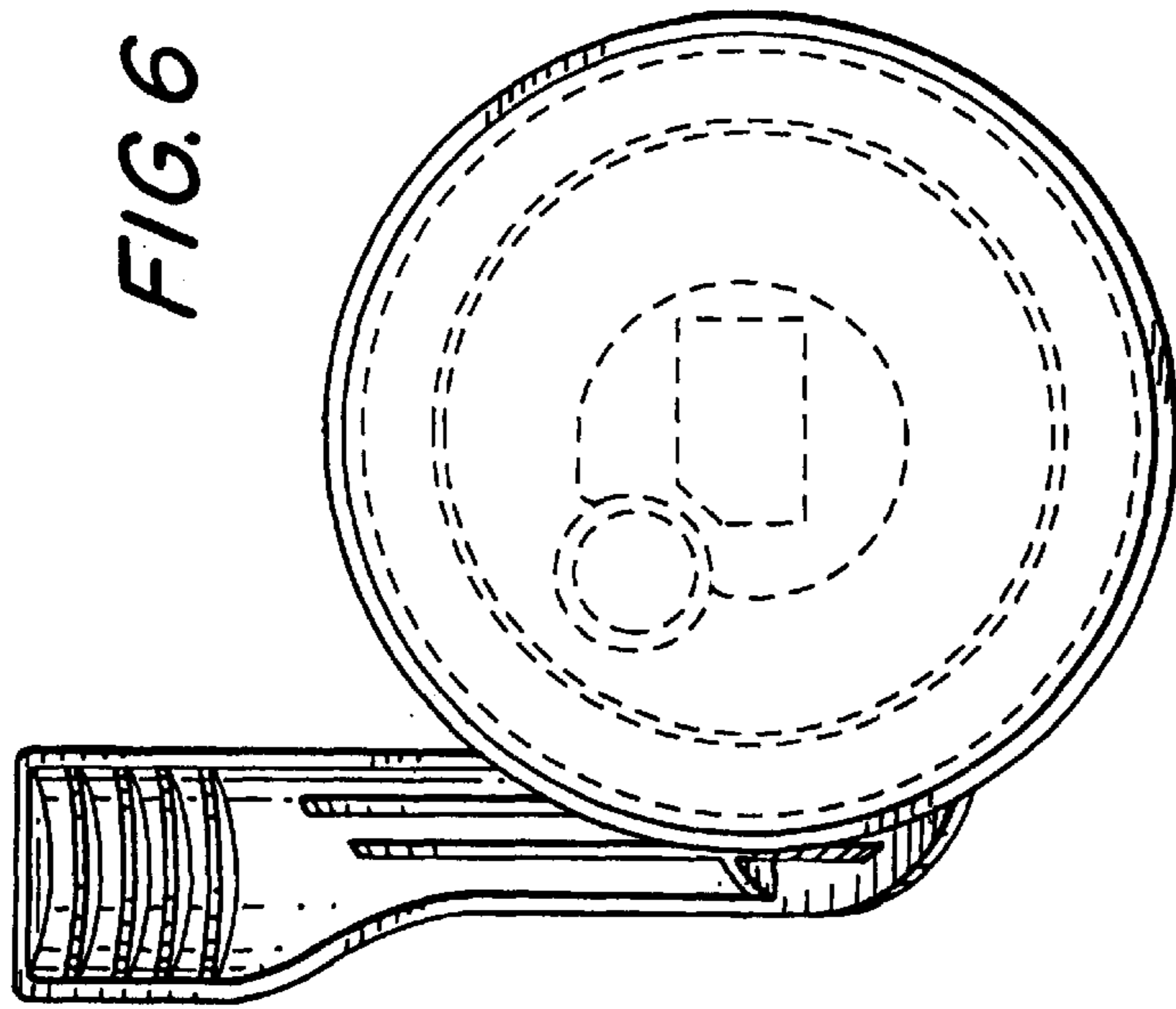


FIG. 6

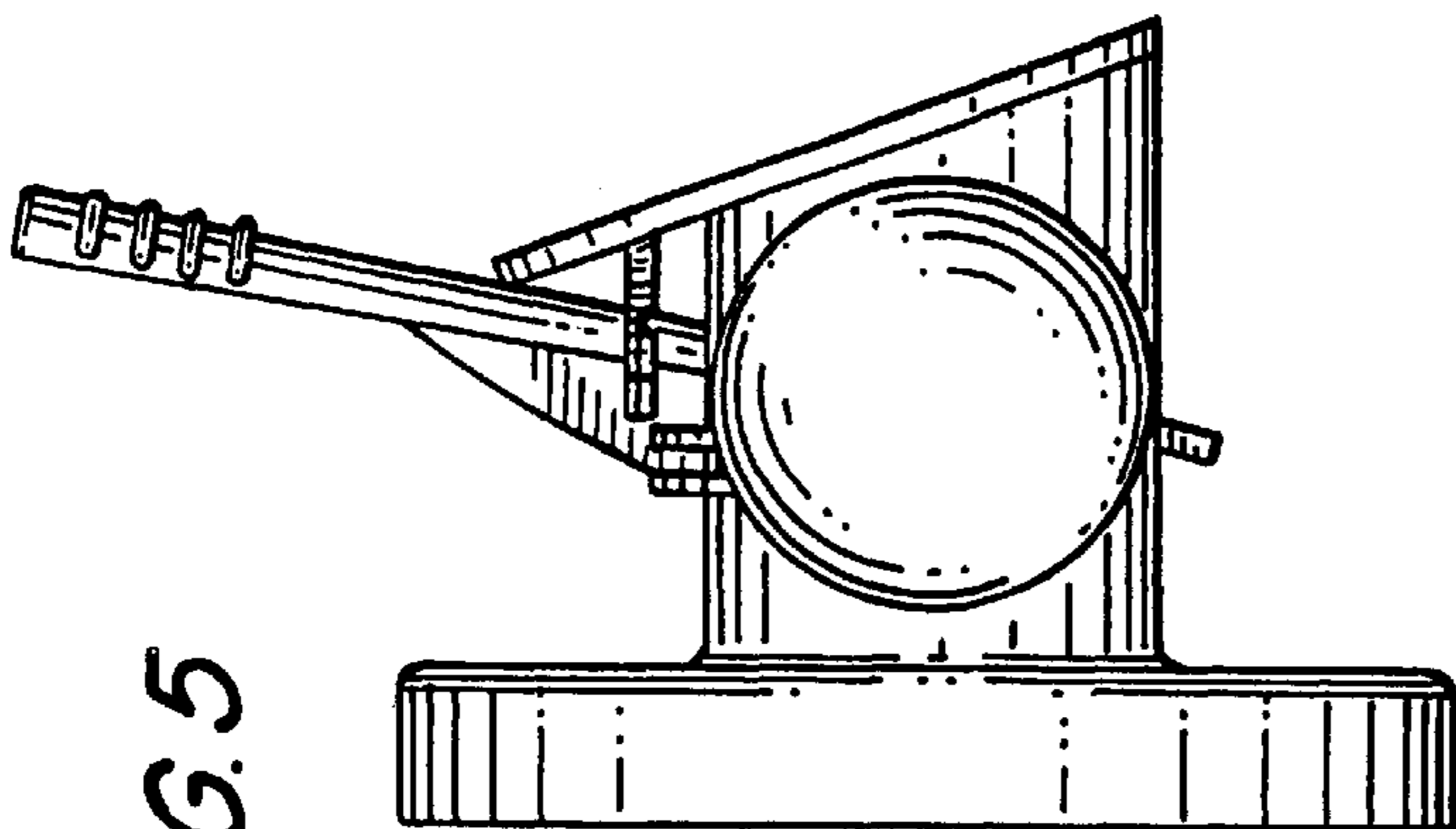


FIG. 5

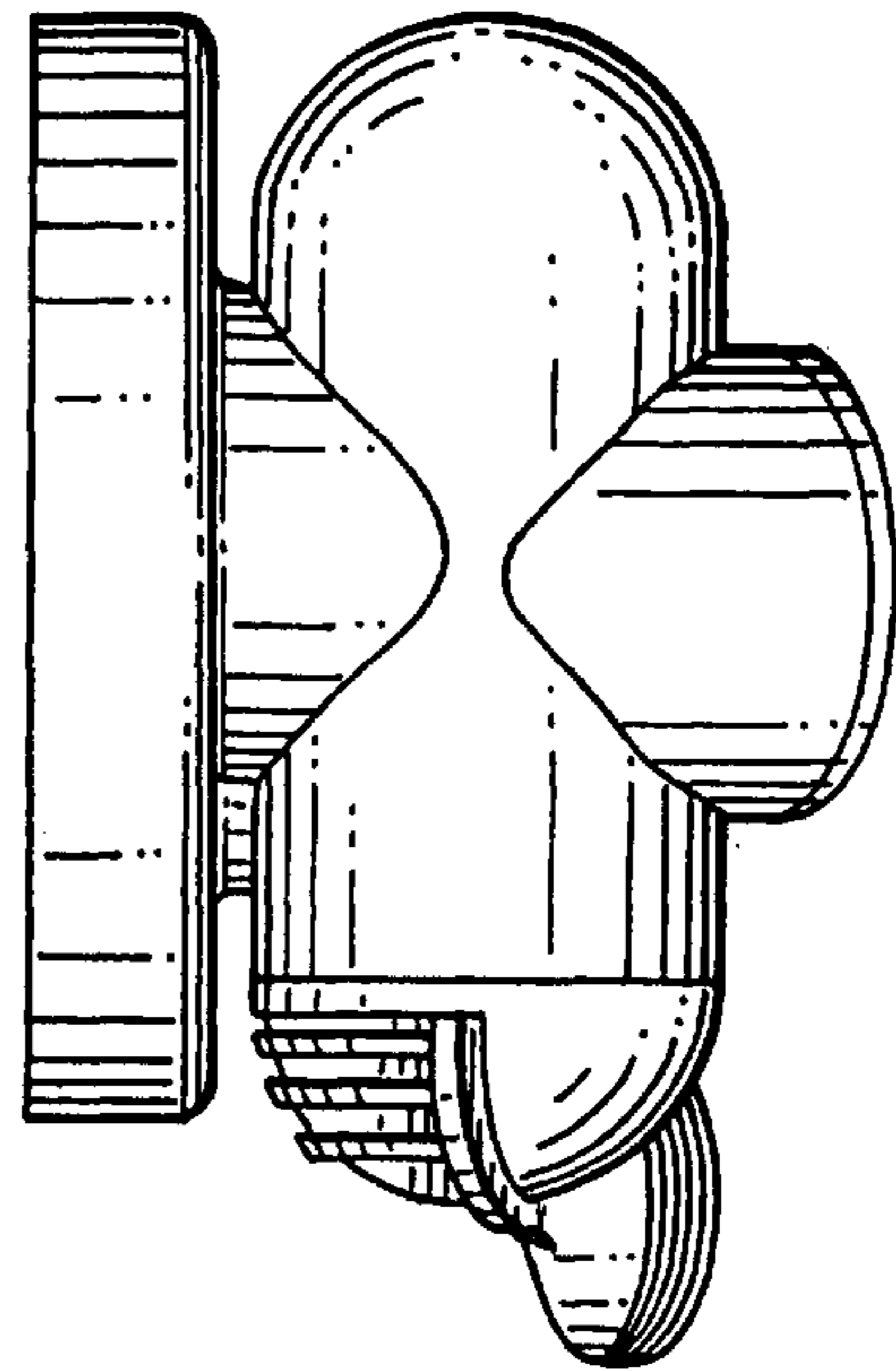


FIG. 7