



US00D519368S

(12) **United States Design Patent**  
**Turvey**

(10) **Patent No.:** **US D519,368 S**

(45) **Date of Patent:** **\*\* Apr. 25, 2006**

(54) **SWIVEL SLIDER BODY WITH HANDLE**

FOREIGN PATENT DOCUMENTS

(75) Inventor: **Robert R. Turvey**, Sanford, MI (US)

|    |              |        |           |
|----|--------------|--------|-----------|
| DE | 2960190477 U | 3/1997 | ..... 3/8 |
| WO | WO 02/43547  | 6/2002 |           |
| WO | WO 02/074631 | 9/2002 |           |

(73) Assignee: **S.C. Johnson Home Storage, Inc.**,  
Racine, WI (US)

OTHER PUBLICATIONS

(\*\*) Term: **14 Years**

Forget Me Not by Tupperware [www.tupperware.com](http://www.tupperware.com).  
Int'l Search Report dated Aug. 16, 2004, Appl. No. PCT/  
US03/37798.  
Web Page "Two-shot Moulding Service Cuts Production  
Costs" at [www.engineeringtalk.com/news/cee/cee125.html](http://www.engineeringtalk.com/news/cee/cee125.html)  
dated Jan. 27, 2005.

(21) Appl. No.: **29/222,493**

(22) Filed: **Jan. 31, 2005**

(51) **LOC (8) Cl.** ..... **09-07**

(52) **U.S. Cl.** ..... **D9/434**; D11/221

(58) **Field of Classification Search** ..... D9/443,  
D9/435, 434; D11/221, 220; 383/65, 64;  
264/252; 24/427-431, 421, 419, 417, 416,  
24/415, 401, 400, 399, 387, 381  
See application file for complete search history.

*Primary Examiner*—Robert M. Spear  
*Assistant Examiner*—Susan Bennett Hattan

(57) **CLAIM**

The ornamental design for a swivel slider body with handle,  
as shown and described.

(56) **References Cited**

**DESCRIPTION**

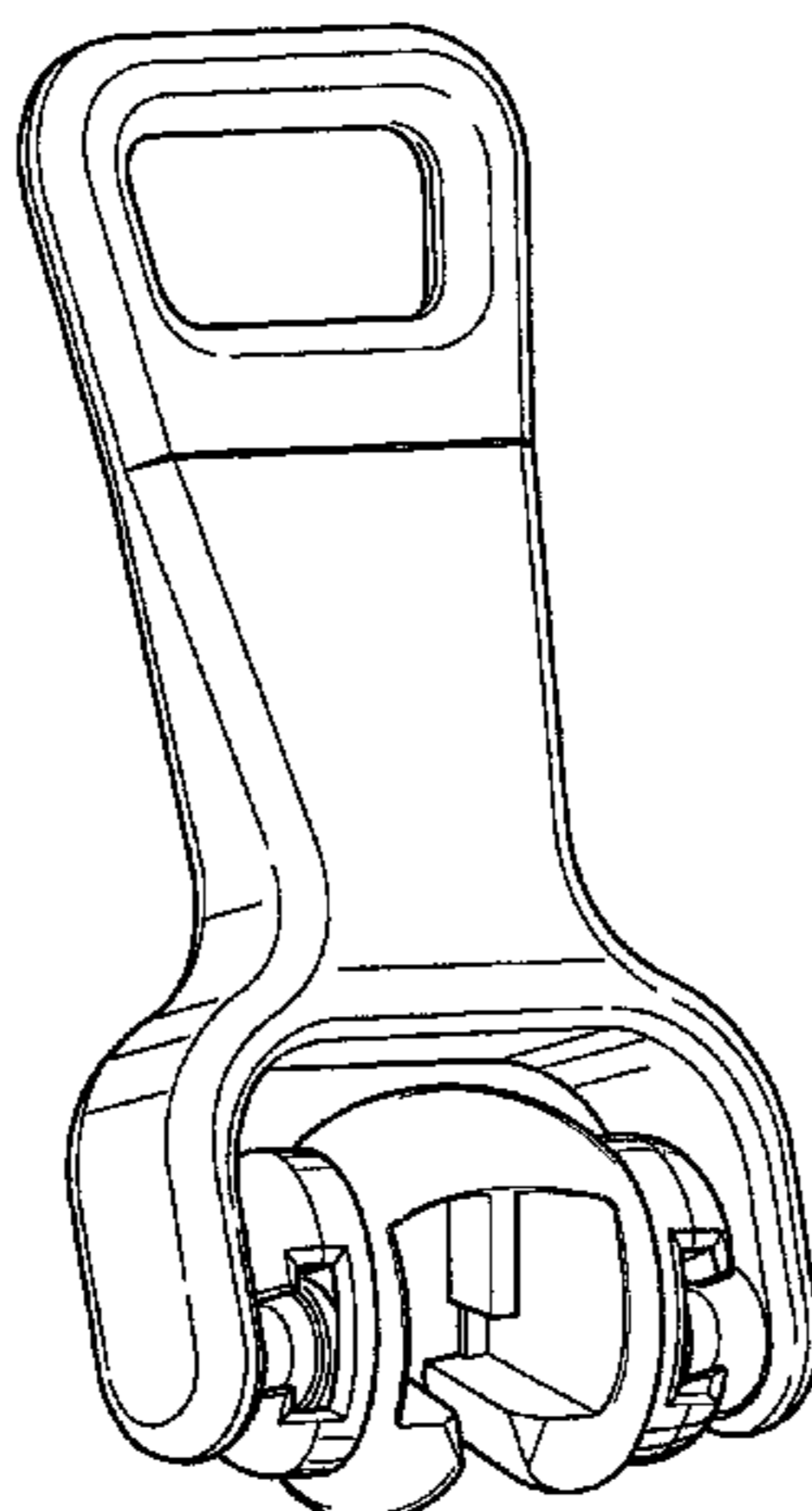
U.S. PATENT DOCUMENTS

|             |          |                  |       |           |
|-------------|----------|------------------|-------|-----------|
| 24,588 A    | 6/1859   | Macphail         | ..... | 56/367    |
| 371,044 A   | 10/1887  | Dimes            | ..... | 211/41.2  |
| 441,913 A   | 12/1890  | Weisbauer        | ..... | 131/241   |
| 710,803 A   | 10/1902  | Richmond         | ..... | 452/166   |
| 873,440 A   | 12/1907  | Kerr             | ..... | 312/290   |
| 1,349,084 A | 8/1920   | Moore            | ..... | 211/41.11 |
| 1,447,627 A | 3/1923   | Primoshic        |       |           |
| 1,527,282 A | 2/1925   | Steadman         | ..... | 217/5     |
| 1,658,392 A | 2/1928   | Prentice et al.  |       |           |
| 1,866,464 A | 7/1932   | Hallowell et al. | ..... | 312/201   |
| 1,897,717 A | 2/1933   | Appel            | ..... | 108/26    |
| 1,994,195 A | 3/1935   | Hay              | ..... | 211/41.11 |
| 2,017,698 A | 10/1935  | Levy             | ..... | 40/1.5    |
| 2,056,878 A | 10/1936  | Wineholt         | ..... | 248/316.1 |
| D114,268 S  | 4/1939   | Poux             |       |           |
| D114,269 S  | * 4/1939 | Poux             | ..... | D11/221   |
| 2,155,760 A | 4/1939   | Hy               | ..... | 248/311.2 |
| 2,166,905 A | * 7/1939 | Poux             | ..... | D11/221   |
| 2,315,573 A | 4/1943   | Yaffa            | ..... | 248/311.2 |
| 2,499,898 A | 3/1950   | Anderson         | ..... | 24/206    |
| 2,593,697 A | 4/1952   | Reilly           | ..... | 108/149   |

FIG. 1 is an isometric view of a front, right side, and top, of  
an ornamental design for a swivel slider body with handle  
for reclosable bags according to the present invention;  
FIG. 2 is an isometric view of the handle of FIG. 1 with the  
swivel slider body removed for clarity of illustration;  
FIG. 3 is a rear elevational view of the handle of FIG. 2;  
FIG. 4 is a side elevational view of the handle of FIG. 2;  
FIG. 5 is a plan view of the handle of FIG. 2;  
FIG. 6 is a bottom elevational view of the handle of FIG. 2;  
FIG. 7 is an isometric view of the swivel slider body of FIG.  
1 with the handle removed for clarity of illustration;  
FIG. 8 is a front elevational view of the swivel slider body  
of FIG. 7;  
FIG. 9 is a rear elevational view of the swivel slider body of  
FIG. 7;  
FIG. 10 is a left side elevational view of the swivel slider  
body of FIG. 7;  
FIG. 11 is a plan view of the swivel slider body of FIG. 7;  
and,  
FIG. 12 is a bottom elevational view of the swivel slider  
body of FIG. 7.

(Continued)

**1 Claim, 6 Drawing Sheets**



U.S. PATENT DOCUMENTS

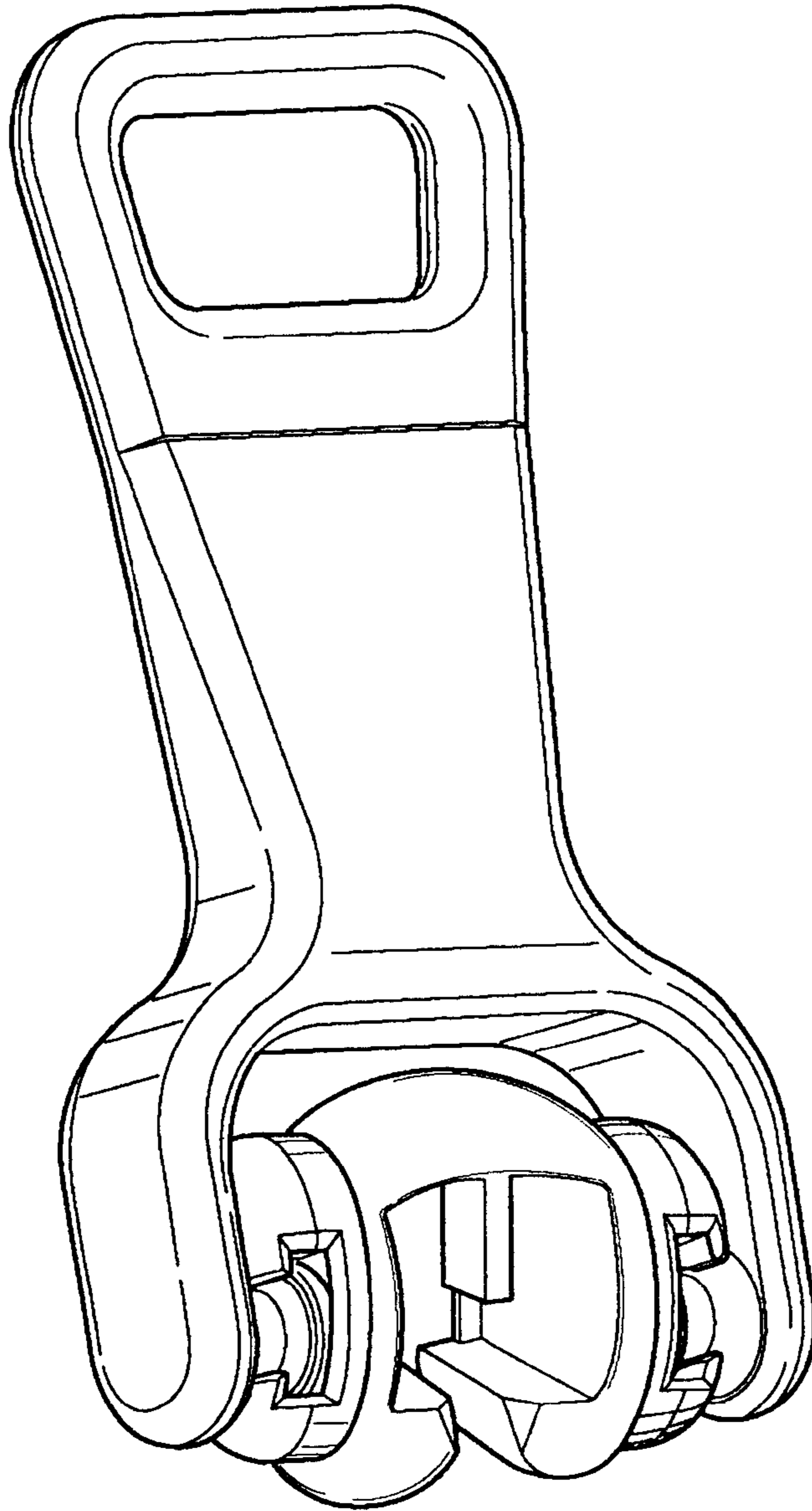
|             |         |                 |             |              |         |                  |            |
|-------------|---------|-----------------|-------------|--------------|---------|------------------|------------|
| 2,600,755 A | 6/1952  | Greensfelder    | 211/41.11   | 4,808,875 A  | 2/1989  | Edwards          | 312/245    |
| 2,643,046 A | 6/1953  | Humphreys       | 248/110     | 4,812,056 A  | 3/1989  | Zieke            | 383/65     |
| 2,715,759 A | 8/1955  | Poux            | 24/20       | 4,832,290 A  | 5/1989  | Baglio           | 248/95     |
| 2,791,807 A | 5/1957  | Morin           | 18/59       | 4,854,530 A  | 8/1989  | Baglio           | 248/95     |
| 2,886,085 A | 5/1959  | Sanger          | 150/1.6     | D305,431 S   | 1/1990  | Adams            | D8/367     |
| 3,001,678 A | 9/1961  | Maxwell         | 224/600     | 4,899,974 A  | 2/1990  | Wear et al.      | 248/467    |
| 3,110,467 A | 11/1963 | Dube            | 248/110     | 4,928,358 A  | 5/1990  | Ishii et al.     | 24/431     |
| 3,279,330 A | 10/1966 | Harding         | 93/35       | 4,929,225 A  | 5/1990  | Ausnit et al.    | 493/213    |
| 3,302,859 A | 2/1967  | Perry           | 229/53      | 4,929,487 A  | 5/1990  | Tilman et al.    | 428/163    |
| 3,338,285 A | 8/1967  | Jaster          | 150/3       | 4,930,735 A  | 6/1990  | Lax              | 248/101    |
| 3,343,233 A | 9/1967  | Gould           | 24/400      | 4,932,560 A  | 6/1990  | Roen             | 221/26     |
| 3,381,887 A | 5/1968  | Lowry           | 229/62.5    | 4,955,749 A  | 9/1990  | Panovic          | 403/11     |
| 3,395,428 A | 8/1968  | Schnabel        | 24/67.11    | D312,181 S   | 11/1990 | Terner           | D6/526     |
| 3,399,429 A | 9/1968  | Goodman         | 24/67 R     | D312,385 S   | 11/1990 | Hamann           | D8/367     |
| 3,413,053 A | 11/1968 | Featherston     | 312/304     | 4,976,015 A  | 12/1990 | Ishii            | 24/429     |
| 3,419,191 A | 12/1968 | Bunger          | 222/93      | 4,979,668 A  | 12/1990 | Allen et al.     | 229/125.39 |
| 3,462,332 A | 8/1969  | Goto            | 156/244     | 4,984,338 A  | 1/1991  | Akashi           | 24/431     |
| 3,557,413 A | 1/1971  | Engle           | 24/201      | 4,995,530 A  | 2/1991  | Tabor            | 221/46     |
| 3,600,764 A | 8/1971  | Froehlich, Jr.  | 24/545      | 4,998,630 A  | 3/1991  | Schwartz         | 211/85.15  |
| 3,608,439 A | 9/1971  | Ausnit          | 93/35 R     | 5,002,200 A  | 3/1991  | Hunt             | 221/1      |
| 3,679,511 A | 7/1972  | Ausnit          | 156/251     | 5,039,902 A  | 8/1991  | Schwartz         | 312/248    |
| 3,679,531 A | 7/1972  | Wienand et al.  | 161/48      | 5,050,272 A  | 9/1991  | Robinson et al.  | 24/30.5 R  |
| 3,707,271 A | 12/1972 | Sanchez et al.  | 248/101     | 5,088,162 A  | 2/1992  | Allan            | 24/442     |
| 3,729,242 A | 4/1973  | Barney          | 312/107     | 5,088,164 A  | 2/1992  | Wilson et al.    | 24/584.1   |
| 3,861,630 A | 1/1975  | Ady             | 248/100     | 5,094,414 A  | 3/1992  | Eddy, Jr.        | 248/95     |
| 3,923,278 A | 12/1975 | Marcil          | 248/301     | 5,097,570 A  | 3/1992  | Gershenson       | 24/452     |
| 3,955,789 A | 5/1976  | Baumrind        | 248/311.3   | 5,113,555 A  | 5/1992  | Wilson et al.    | 24/576     |
| 3,991,801 A | 11/1976 | Ausnit          | 150/3       | D326,601 S   | 6/1992  | Smith            | D8/356     |
| 4,043,485 A | 8/1977  | Tippetts        | 221/312 R   | D329,344 S   | 9/1992  | Carillo          | D6/515     |
| D247,147 S  | 2/1978  | Dicks et al.    | D6/332      | 5,172,980 A  | 12/1992 | Provost          | 383/204    |
| 4,140,355 A | 2/1979  | Swain           | 312/330.1   | 5,179,767 A  | 1/1993  | Allan            | 24/442     |
| 4,170,424 A | 10/1979 | Boehm           | 403/164     | 5,209,574 A  | 5/1993  | Tilman           | 383/63     |
| 4,176,817 A | 12/1979 | Jones           | 248/313     | 5,211,481 A  | 5/1993  | Tilman           | 383/63     |
| 4,187,068 A | 2/1980  | Vassar          | 425/381     | 5,216,787 A  | 6/1993  | Custer et al.    | 24/587     |
| 4,224,974 A | 9/1980  | Anderson et al. | 160/178.1 R | 5,219,588 A  | 6/1993  | England et al.   | 425/189    |
| 4,241,668 A | 12/1980 | Carroll         | 108/26      | 5,242,646 A  | 9/1993  | Torigoe et al.   | 264/219    |
| 4,244,974 A | 1/1981  | Minami et al.   | 426/94      | 5,259,904 A  | 11/1993 | Ausnit           | 156/244.15 |
| 4,256,685 A | 3/1981  | Vassar          | 264/167     | 5,267,711 A  | 12/1993 | Perreault        | 248/101    |
| 4,304,382 A | 12/1981 | Jelen           | 248/220.42  | D346,423 S   | 4/1994  | Kitagawa         | D8/367     |
| 4,356,600 A | 11/1982 | Welch           | 24/30.5 R   | D346,734 S   | 5/1994  | Rohr             | D8/349     |
| 4,390,102 A | 6/1983  | Lane            | 211/85.29   | D348,302 S   | 6/1994  | Gois             | D22/135    |
| 4,394,791 A | 7/1983  | Groth           | 24/30.5 R   | 5,343,233 A  | 8/1994  | Abe              | 347/119    |
| 4,396,123 A | 8/1983  | Swan            | 211/40      | 5,343,659 A  | 9/1994  | Zaleski          | 52/24      |
| 4,419,159 A | 12/1983 | Herrington      | 156/66      | 5,344,109 A  | 9/1994  | Hokoana, Jr.     | 248/100    |
| 4,430,070 A | 2/1984  | Ausnit          | 493/215     | D353,492 S   | 12/1994 | Goodman et al.   | D6/323     |
| D276,389 S  | 11/1984 | Fellhoelter     | D6/552      | D354,676 S   | 1/1995  | Izumi et al.     | D8/367     |
| 4,484,352 A | 11/1984 | Katzin          | 383/65      | 5,379,489 A  | 1/1995  | Delk et al.      | 24/30.5 R  |
| 4,522,678 A | 6/1985  | Zieke           | 156/501     | 5,383,586 A  | 1/1995  | Leivan           | 224/547    |
| 4,532,652 A | 7/1985  | Herrington      | 383/103     | 5,384,942 A  | 1/1995  | Siegel           | 24/587     |
| 4,537,330 A | 8/1985  | Gelbard         | 221/26      | 5,394,993 A  | 3/1995  | Gravell et al.   | 211/12     |
| 4,540,537 A | 9/1985  | Kamp            | 264/171     | 5,467,949 A  | 11/1995 | Lemke et al.     | 248/95     |
| 4,541,117 A | 9/1985  | Ashbeck         | 383/64      | 5,477,969 A  | 12/1995 | Beeskau et al.   | 211/90.02  |
| 4,577,914 A | 3/1986  | Stravitz        | 312/10      | D366,013 S * | 1/1996  | Pandel           | D11/222    |
| 4,580,754 A | 4/1986  | Hughes          | 248/323     | D366,230 S * | 1/1996  | Aoki             | D11/221    |
| 4,603,434 A | 7/1986  | Herrington      | 383/95      | 5,480,030 A  | 1/1996  | Sweeney et al.   | 206/524.8  |
| 4,629,075 A | 12/1986 | Hutten          | 211/89.01   | 5,494,250 A  | 2/1996  | Chen             | 248/316.7  |
| 4,632,472 A | 12/1986 | Bross           | 312/246     | 5,509,734 A  | 4/1996  | Ausnit           | 383/63     |
| 4,641,756 A | 2/1987  | Brown           | 211/85.3    | 5,524,762 A  | 6/1996  | Shafran et al.   | 206/554    |
| 4,653,818 A | 3/1987  | DeBruyn         | 312/246     | 5,527,112 A  | 6/1996  | Dais et al.      | 383/211    |
| D289,140 S  | 4/1987  | Fischer et al.  | D8/373      | D375,161 S   | 10/1996 | Hart             | D24/134    |
| 4,656,697 A | 4/1987  | Naslund         | 24/30.5 P   | D376,749 S   | 12/1996 | Hertzog          | D8/349     |
| 4,665,557 A | 5/1987  | Kamp            | 383/63      | 5,586,687 A  | 12/1996 | Spamer et al.    | 221/298    |
| 4,700,849 A | 10/1987 | Wagner          | 211/41.2    | 5,603,417 A  | 2/1997  | Blair            | 211/71     |
| 4,701,358 A | 10/1987 | Behr et al.     | 428/35      | 5,614,232 A  | 3/1997  | Torigoe et al.   | 425/545    |
| 4,744,196 A | 5/1988  | Gallo           | 53/375.4    | 5,660,284 A  | 8/1997  | Vaughn           | 211/41.1   |
| 4,755,248 A | 7/1988  | Geiger et al.   | 156/244.25  | 5,743,438 A  | 4/1998  | Sokolnicki       | 222/181.1  |
| 4,785,971 A | 11/1988 | Konarik         | 221/312 R   | 5,747,126 A  | 5/1998  | Van Erden et al. | 428/35.2   |
| 4,787,522 A | 11/1988 | Nocek et al.    | 211/85.15   | 5,797,170 A  | 8/1998  | Akeno            | 24/452     |
| 4,787,880 A | 11/1988 | Ausnit          | 493/213     | 5,813,549 A  | 9/1998  | Sheehan et al.   | 211/87.01  |
| D299,423 S  | 1/1989  | Davis           | D8/373      | D399,726 S   | 10/1998 | Tsai             | D8/367     |
|             |         |                 |             | 5,823,497 A  | 10/1998 | Weatherhead      | 248/316.7  |

# US D519,368 S

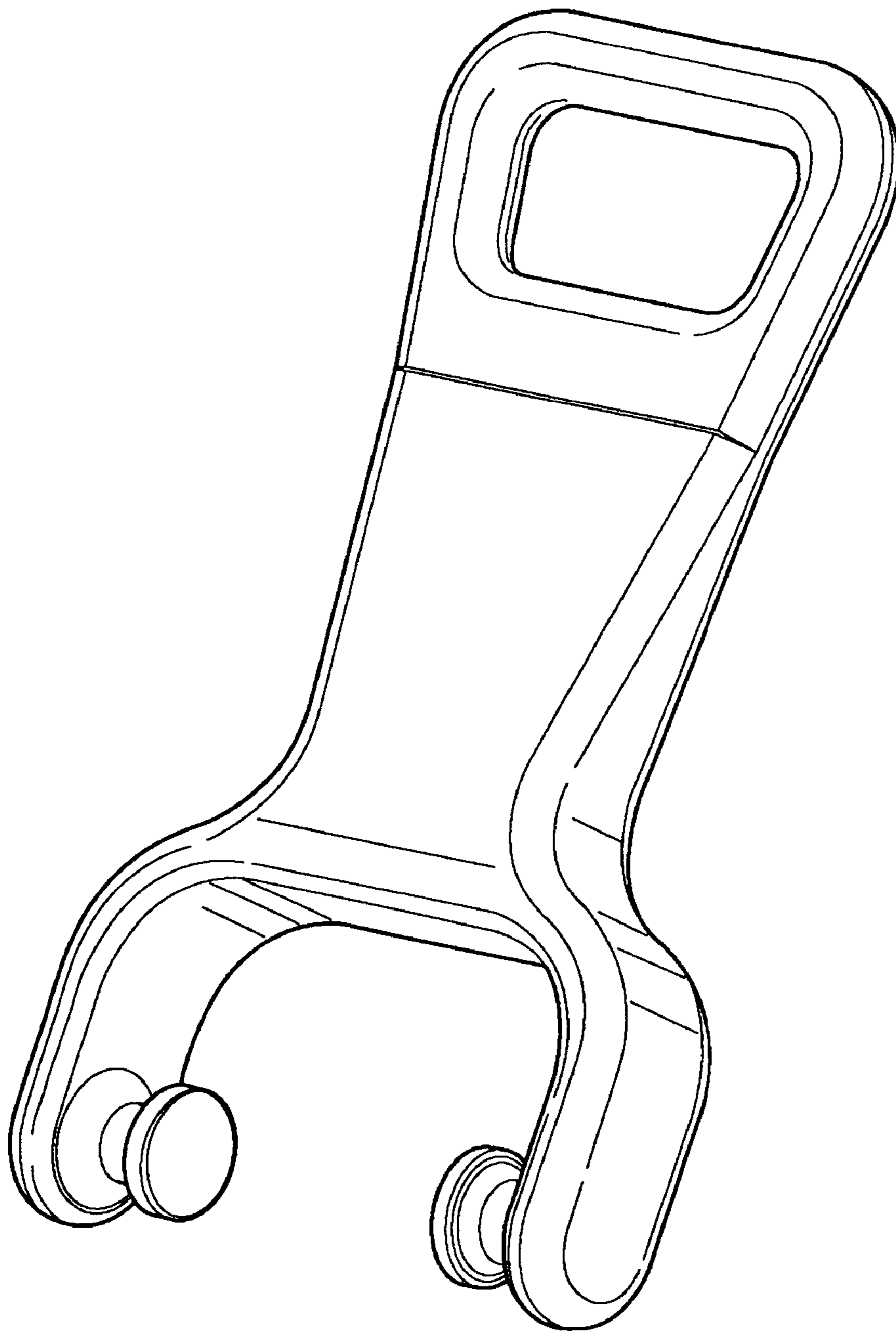
|              |         |                      |            |                 |         |                        |           |
|--------------|---------|----------------------|------------|-----------------|---------|------------------------|-----------|
| 5,829,884 A  | 11/1998 | Yeager .....         | 383/61     | D449,794 S      | 10/2001 | Savicki, Sr. ....      | D11/221   |
| 5,839,582 A  | 11/1998 | Strong et al. ....   | 206/524.8  | 6,299,353 B1    | 10/2001 | Piechocki et al. ....  | 383/63    |
| 5,850,966 A  | 12/1998 | Siler et al. ....    | 232/15     | D453,654 S      | 2/2002  | Kwok .....             | D6/630    |
| 5,890,810 A  | 4/1999  | Barlow .....         | 383/120    | 6,349,654 B1    | 2/2002  | Peters .....           | 108/26    |
| D409,031 S   | 5/1999  | McNaughton .....     | D6/546     | 6,367,976 B1    | 4/2002  | Bannister .....        | 383/85    |
| D411,702 S   | 6/1999  | Boyd .....           | D6/567     | 6,382,429 B1    | 5/2002  | Yeh et al. ....        | 211/59.1  |
| 5,911,508 A  | 6/1999  | Dobreski et al. .... | 383/5      | 6,450,380 B1    | 9/2002  | Simhaee .....          | 225/46    |
| 5,927,800 A  | 7/1999  | Stallworth .....     | 297/188.08 | D464,994 S      | 10/2002 | Rosen .....            | D19/65    |
| 5,933,927 A  | 8/1999  | Miller et al. ....   | 24/452     | D466,732 S      | 12/2002 | Ball et al. ....       | D6/518    |
| 5,944,425 A  | 8/1999  | Forman .....         | 383/61     | D470,461 S      | 2/2003  | Liang .....            | D13/151   |
| 5,960,957 A  | 10/1999 | Johnson .....        | 206/526    | 6,517,242 B1 *  | 2/2003  | Buchman .....          | 383/64    |
| 5,964,359 A  | 10/1999 | Marino, Jr. ....     | 211/74     | 6,519,918 B1    | 2/2003  | Forman .....           | 53/412    |
| 5,970,684 A  | 10/1999 | Talley et al. ....   | 53/384.1   | D471,789 S      | 3/2003  | Fredriksson .....      | D8/356    |
| 5,988,492 A  | 11/1999 | Capy et al. ....     | 229/122.34 | D472,451 S      | 4/2003  | Fredriksson .....      | D8/356    |
| 5,996,800 A  | 12/1999 | Pratt .....          | 206/524.8  | 6,571,951 B1    | 6/2003  | Levine et al. ....     | 206/395   |
| 6,010,244 A  | 1/2000  | Dobreski et al. .... | 383/63     | 6,651,297 B1    | 11/2003 | Borchardt .....        | 24/399    |
| 6,036,364 A  | 3/2000  | Heuvel .....         | 383/64     | 6,692,147 B1    | 2/2004  | Nelson .....           | 383/63    |
| 6,042,063 A  | 3/2000  | Kerr et al. ....     | 248/100    | 6,698,926 B1    | 3/2004  | Buchman .....          | 383/64    |
| D422,909 S * | 4/2000  | Smith et al. ....    | D9/434     | 6,728,997 B1    | 5/2004  | Savicki et al. ....    | 24/399    |
| D424,413 S   | 5/2000  | Laga et al. ....     | D8/372     | D490,706 S *    | 6/2004  | Smith et al. ....      | D9/434    |
| 6,056,378 A  | 5/2000  | Semon et al. ....    | 312/246    | D497,835 S      | 11/2004 | Yoneoka et al. ....    | D11/221   |
| 6,074,094 A  | 6/2000  | Manolizi et al. .... | 383/5      | D499,668 S      | 12/2004 | Iwase .....            | D11/221   |
| 6,074,096 A  | 6/2000  | Tilman .....         | 383/63     | 6,863,645 B1    | 3/2005  | Crunkleton et al. .... | 493/212   |
| 6,080,252 A  | 6/2000  | Plourde .....        | 156/66     | 2002/0168118 A1 | 11/2002 | Price .....            | 383/64    |
| 6,082,897 A  | 7/2000  | Galomb .....         | 383/63     | 2003/0025057 A1 | 2/2003  | Furukawa .....         | 248/309.1 |
| D431,451 S   | 10/2000 | Kuo .....            | D8/373     | 2003/0210836 A1 | 11/2003 | Strand .....           | 383/9     |
| D434,345 S   | 11/2000 | Tomic .....          | D11/221    | 2004/0013323 A1 | 1/2004  | Withers .....          | 383/63    |
| 6,154,934 A  | 12/2000 | Matthews .....       | 24/587     | 2004/0037478 A1 | 2/2004  | Anderson .....         | 383/64    |
| 6,185,796 B1 | 2/2001  | Ausnit .....         | 24/587     | 2004/0052434 A1 | 3/2004  | Bell .....             | 383/35    |
| D439,866 S * | 4/2001  | Savicki, Sr. ....    | D11/221    | 2004/0057636 A1 | 3/2004  | Ishizaki .....         | 383/44    |
| 6,210,724 B1 | 4/2001  | Clarke et al. ....   | 426/118    | 2004/0058103 A1 | 3/2004  | Anderson et al. ....   | 428/34.1  |
| D441,319 S   | 5/2001  | Yoneoka .....        | D11/221    | 2004/0066988 A1 | 4/2004  | Yi Li .....            | 383/120   |
| 6,224,030 B1 | 5/2001  | Hepworth .....       | 248/215    | 2004/0136618 A1 | 7/2004  | Ausnit et al. ....     | 383/64    |
| 6,231,234 B1 | 5/2001  | Gebhardt .....       | 383/61     | 2004/0252915 A1 | 12/2004 | Nelson .....           | 383/63    |
| 6,231,236 B1 | 5/2001  | Tilman .....         | 383/63     | 2005/0063616 A1 | 3/2005  | Chang .....            | 383/5     |
| D444,417 S   | 7/2001  | Yoneoka .....        | D11/221    |                 |         |                        |           |
| 6,273,279 B1 | 8/2001  | Wolf .....           | 211/86.01  |                 |         |                        |           |
| D449,494 S   | 10/2001 | Cousins .....        | D7/629     |                 |         |                        |           |

\* cited by examiner

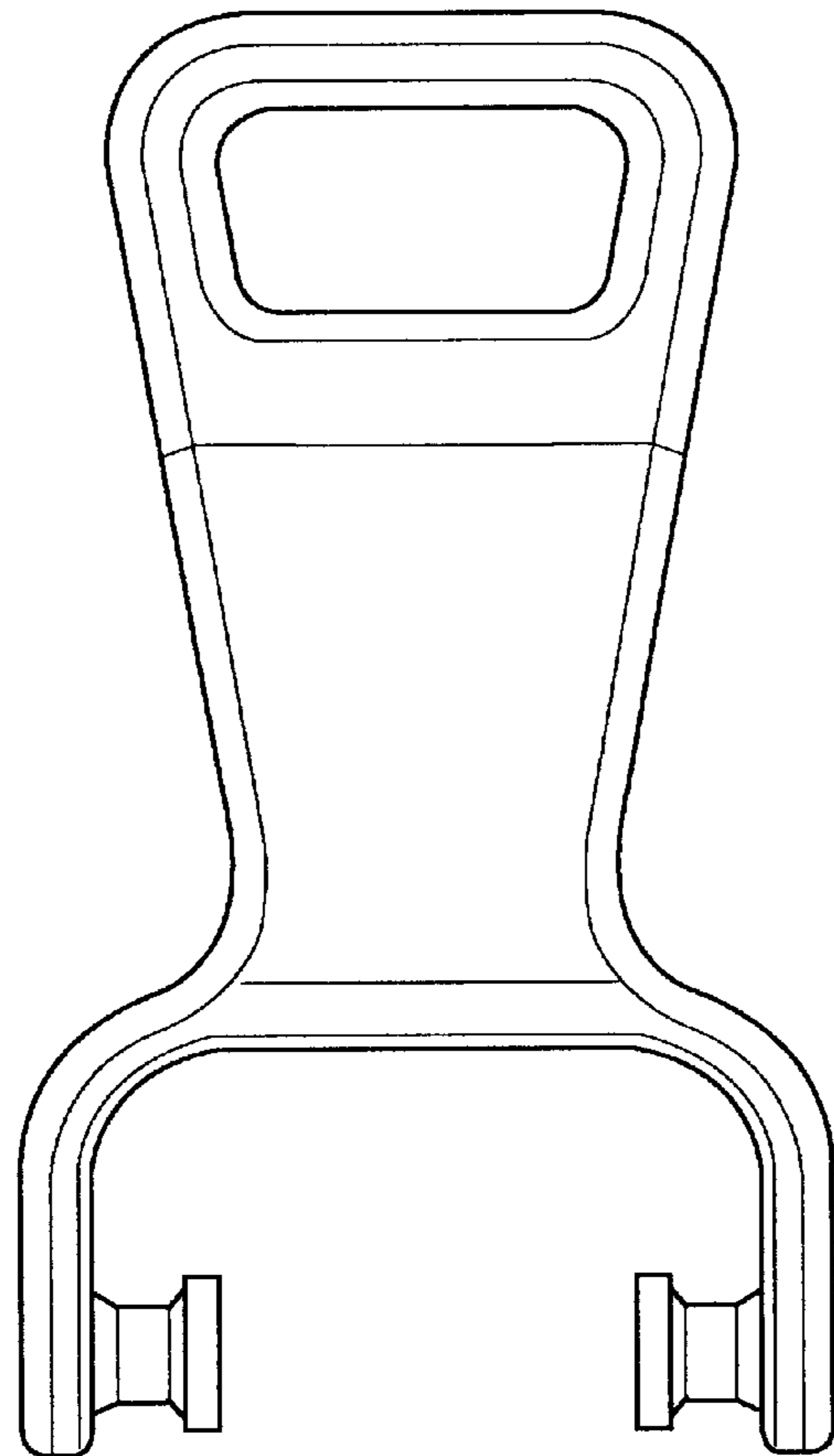
**FIG. 1**



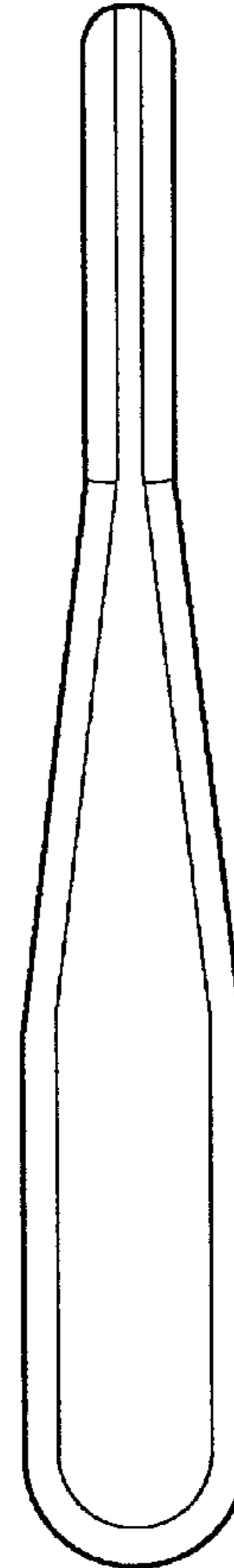
**FIG. 2**



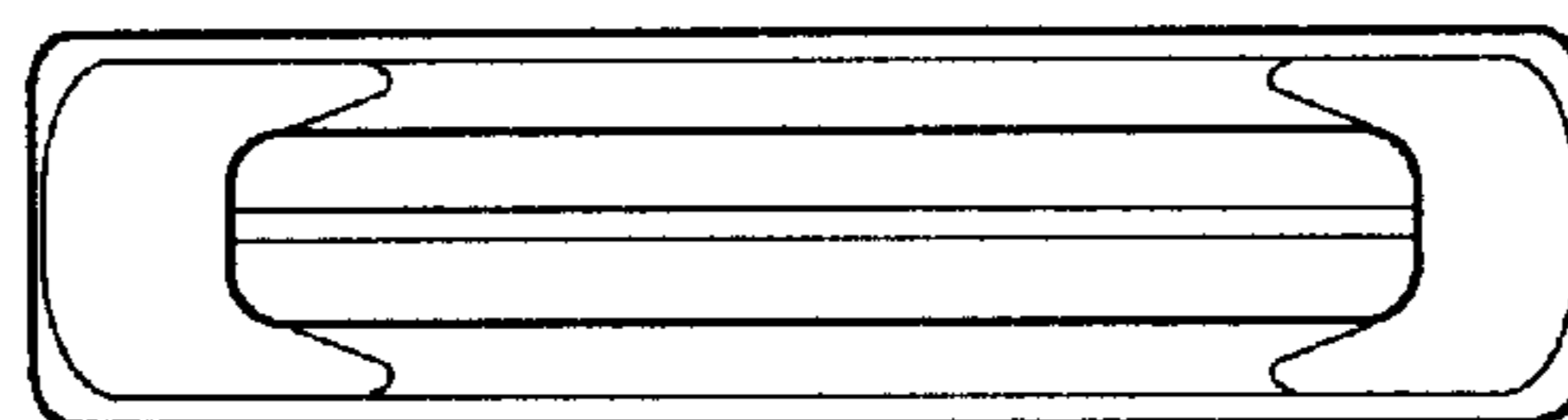
**FIG. 3**



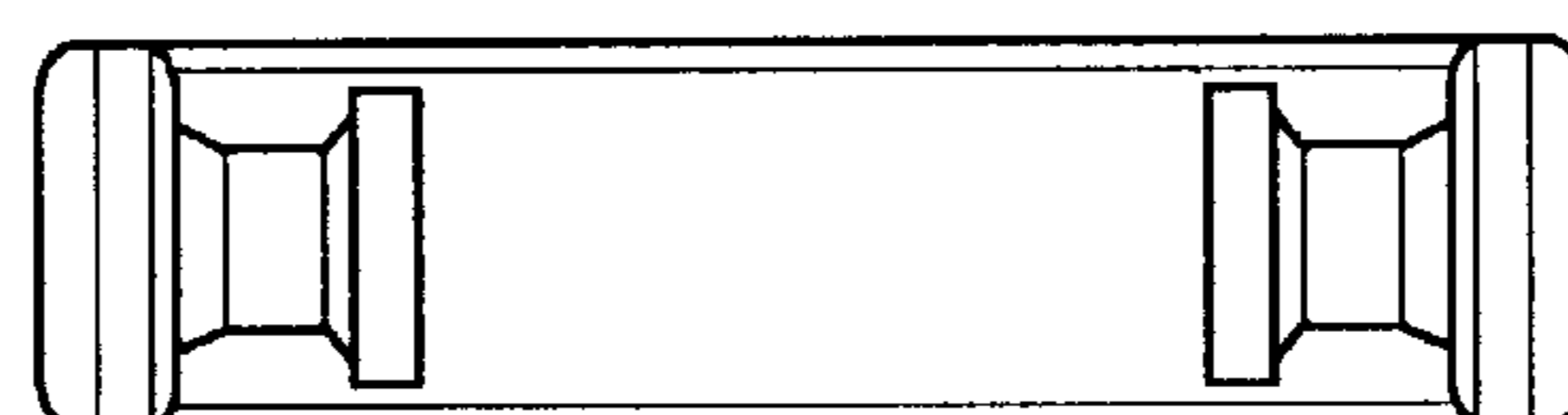
**FIG. 4**



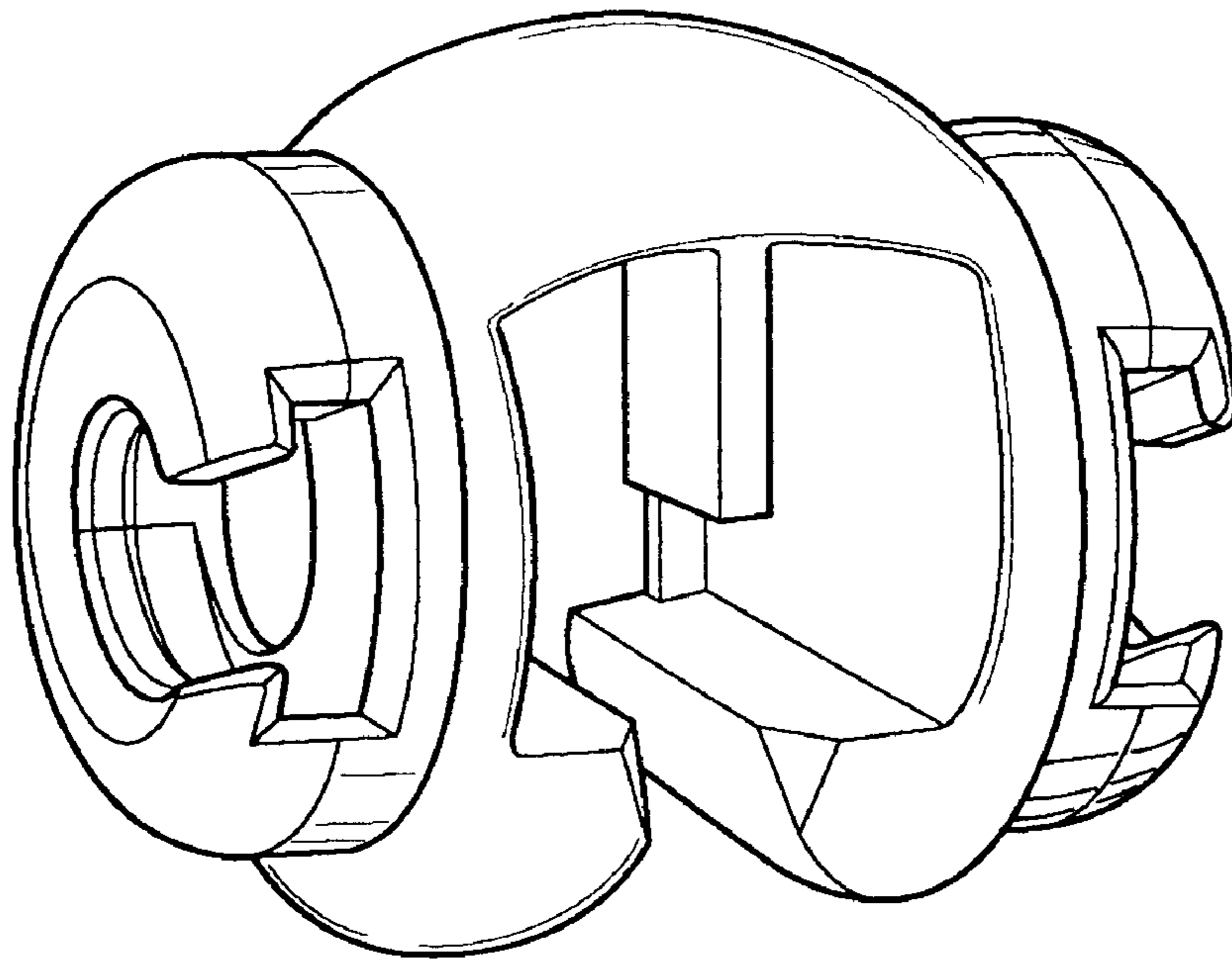
**FIG. 5**



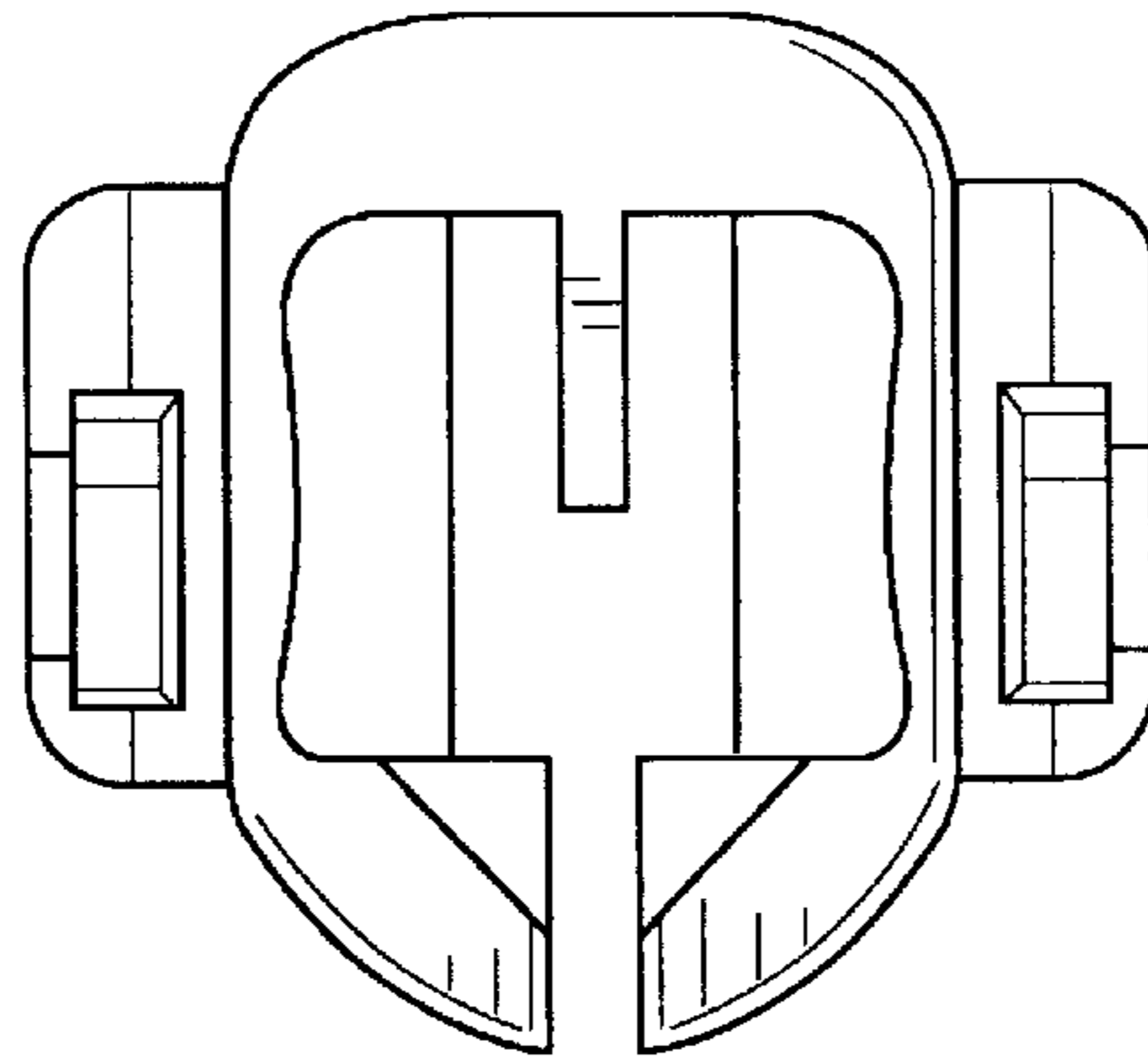
**FIG. 6**



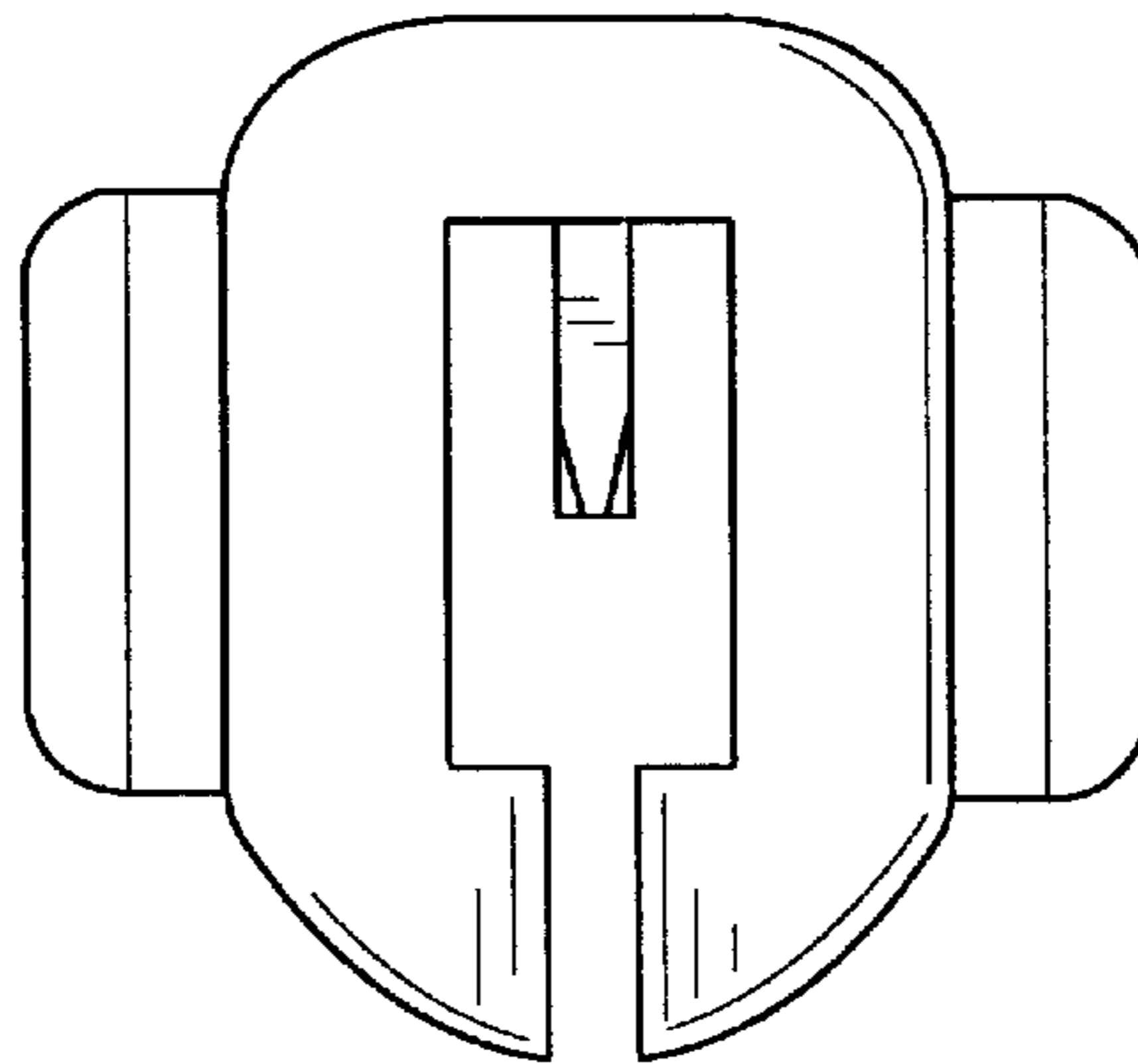
**FIG. 7**



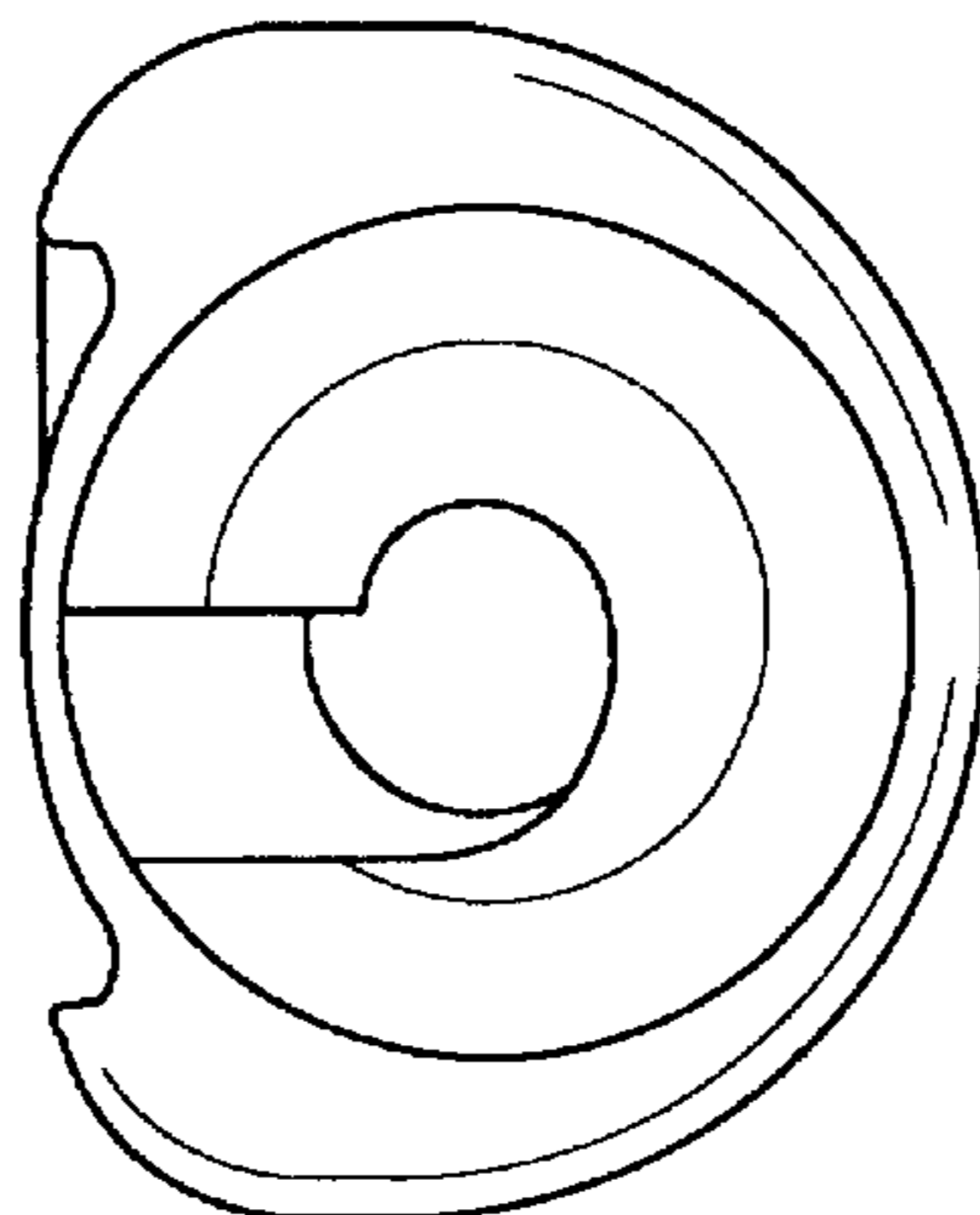
**FIG. 8**



**FIG. 9**

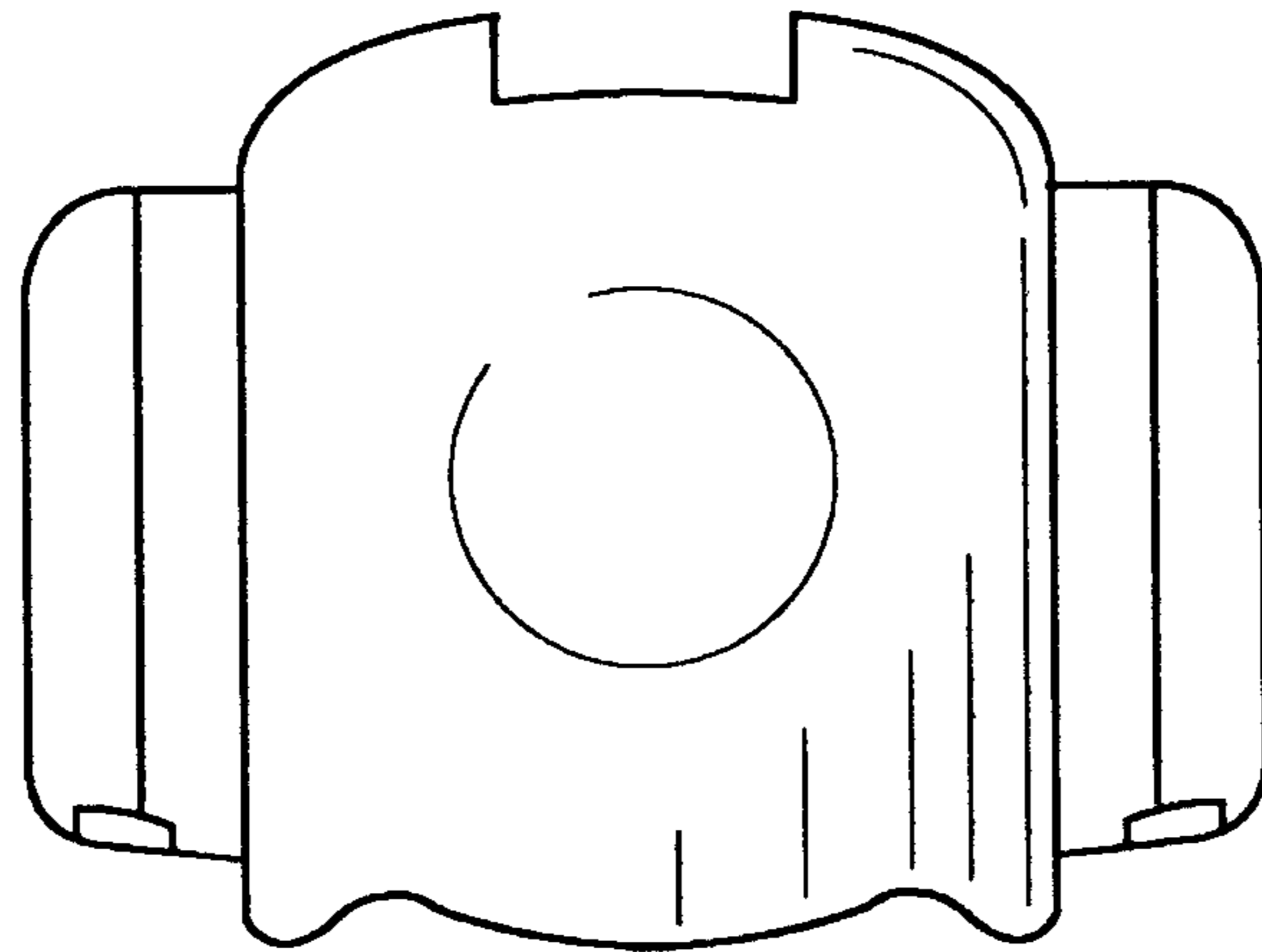


**FIG. 10**





**FIG. 11**



**FIG. 12**

