



US00D519364S

(12) **United States Design Patent** (10) **Patent No.:** **US D519,364 S**
Kopp et al. (45) **Date of Patent:** **** Apr. 25, 2006**

(54) **RATCHET STRAP PACKAGING**
(75) Inventors: **Tony Kopp**, West Allis, WI (US); **Eric Mackey**, Milwaukee, WI (US); **Mark Van Handel**, Milwaukee, WI (US)
(73) Assignee: **Master Lock Company**, Oak Creek, WI (US)
(**) Term: **14 Years**

D408,280 S * 4/1999 Manley et al. D9/415
6,039,243 A 3/2000 Lickton
6,039,495 A * 3/2000 Zimmerman et al. 402/79
6,152,298 A * 11/2000 Dods 206/335
D441,645 S 5/2001 Longhurst
D463,978 S * 10/2002 DiMartino D9/415
D471,099 S * 3/2003 Yang D9/415
D472,140 S 3/2003 Yang
D483,261 S 12/2003 Stanley
6,814,238 B1 * 11/2004 Lee 206/722
D504,811 S * 5/2005 Haingaertner D9/415
D506,925 S * 7/2005 Plumer D9/415

(21) Appl. No.: **29/235,143**
(22) Filed: **Jul. 28, 2005**

Related U.S. Application Data

(62) Division of application No. 29/189,449, filed on Sep. 5, 2003.
(51) **LOC (8) Cl.** **09-07**
(52) **U.S. Cl.** **D9/415; D9/418**
(58) **Field of Classification Search** D9/415, D9/418, 414, 424, 715, 737, 457; 206/461-471, 206/806, 495, 730-736, 756, 765, 194, 197, 206/200, 223, 319, 320, 486-490, 386, 457, 206/335; 224/906.924; 428/13, 14, 543
See application file for complete search history.

(56) **References Cited**

U.S. PATENT DOCUMENTS

2,428,500 A 10/1947 Nutt
4,199,060 A * 4/1980 Howard 206/231
4,423,811 A 1/1984 Knapp
4,512,474 A 4/1985 Harding
4,722,733 A * 2/1988 Howson 604/411
D320,934 S 10/1991 Cross et al.
5,129,516 A 7/1992 Theros
D334,886 S 4/1993 Cortelli et al.
D350,693 S * 9/1994 Pratt D9/415
D365,753 S 1/1996 Sibbio
5,520,280 A 5/1996 Lickton
D386,405 S * 11/1997 Bernstein et al. D9/415
D400,098 S 10/1998 Wang

FOREIGN PATENT DOCUMENTS

DE 28 27 994 1/1980
EP 745 542 12/1996

OTHER PUBLICATIONS

International Search Report from PCT/US2004/028769.
* cited by examiner

Primary Examiner—Prabhakar Deshmukh
(74) *Attorney, Agent, or Firm*—Calfee, Halter & Griswold LLP

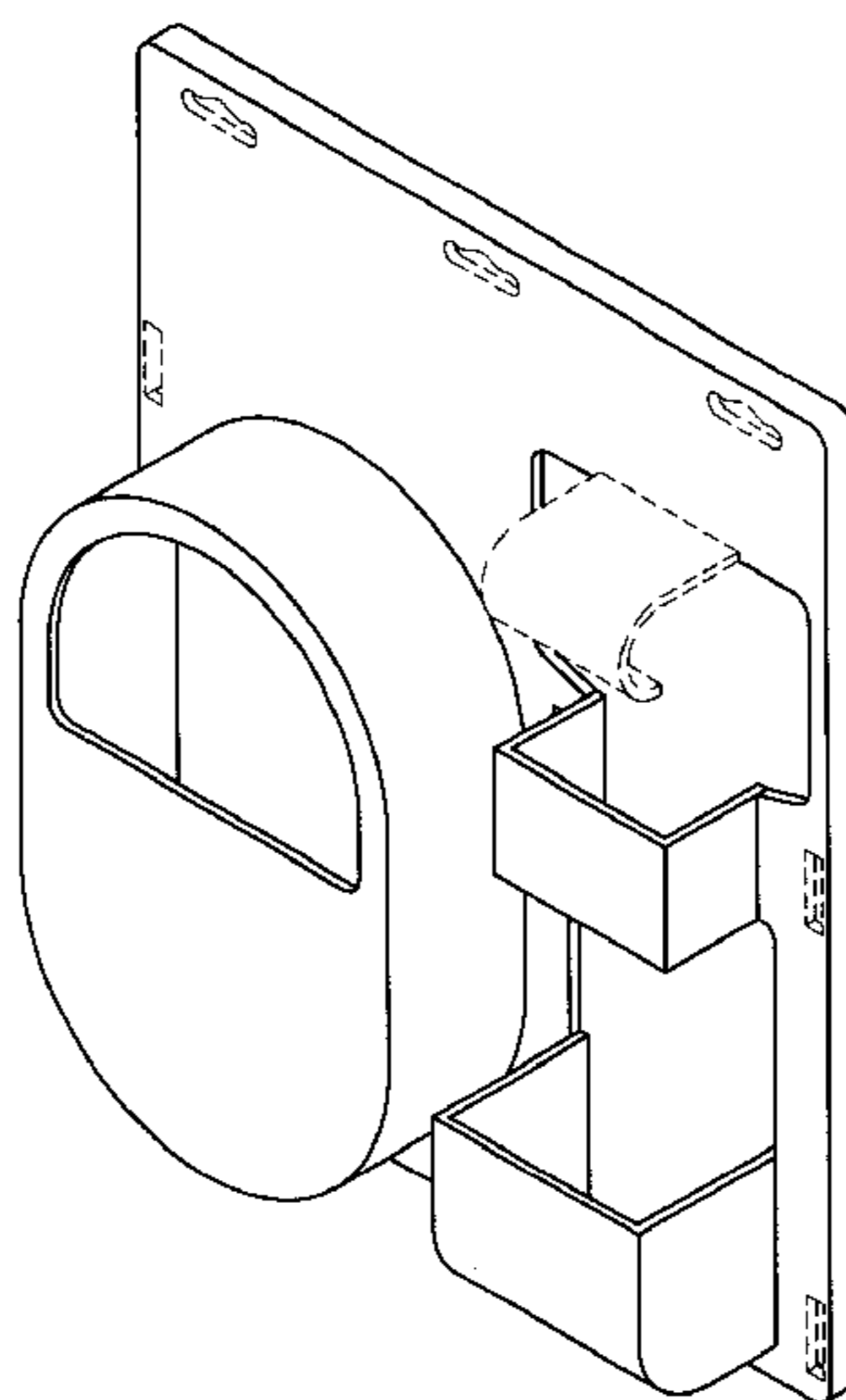
(57) **CLAIM**

The ornamental design for a ratchet strap packaging, as shown and described.

DESCRIPTION

FIG. 1 is a perspective view of a ratchet strap package and container of the present invention;
FIG. 2 is a top view of the design shown in FIG. 1;
FIG. 3 is a front view of the design shown in FIG. 1;
FIG. 4 is a side view of the design shown in FIG. 1;
FIG. 5 is a bottom view of the design shown in FIG. 1;
FIG. 6 is a side view of the design shown in FIG. 1; and,
FIG. 7 is a back view of the design shown in FIG. 1.
The portions of the Figures shown in phantom lines are not part of the claimed design but are for illustration only.

1 Claim, 3 Drawing Sheets



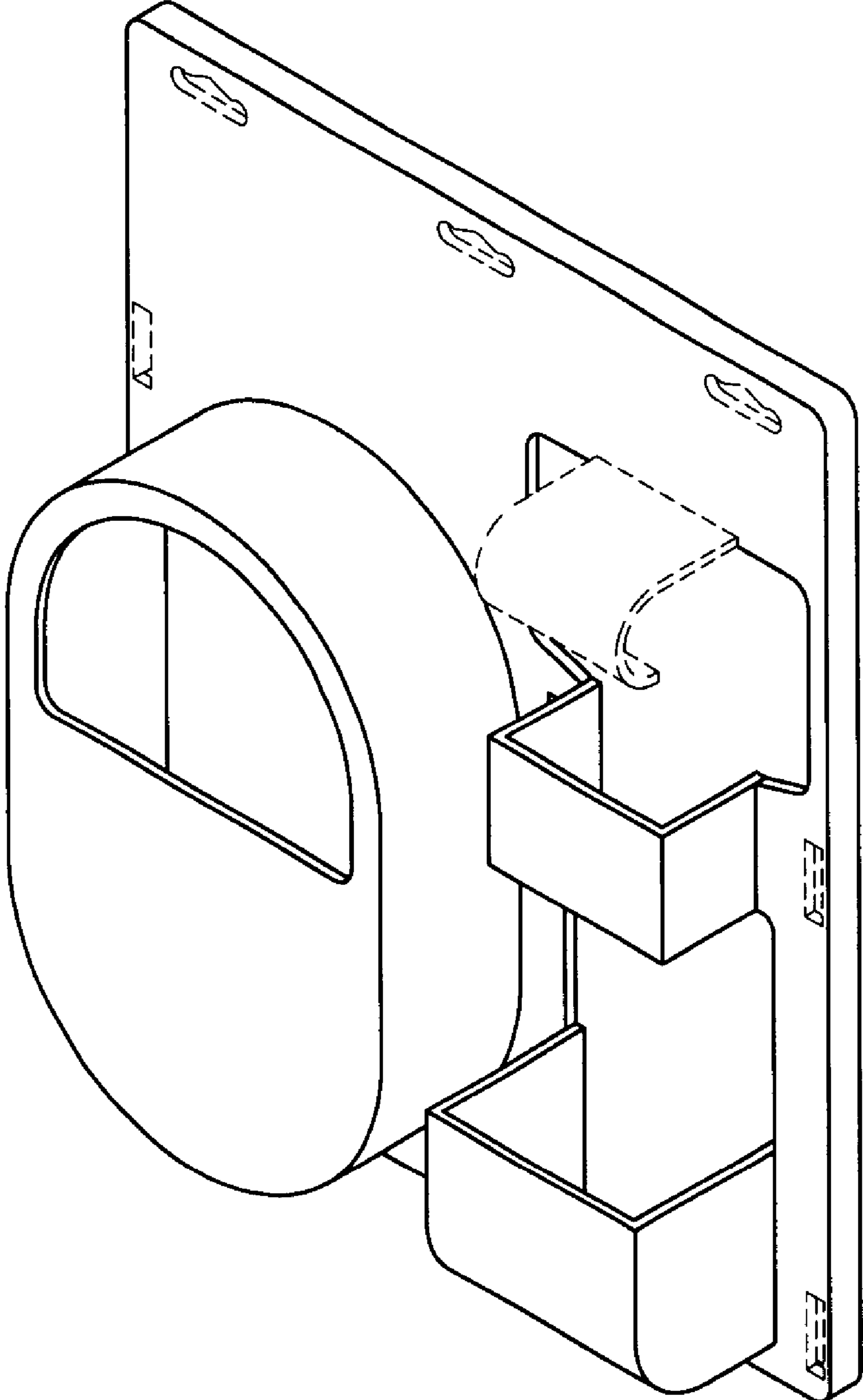


FIG. 1

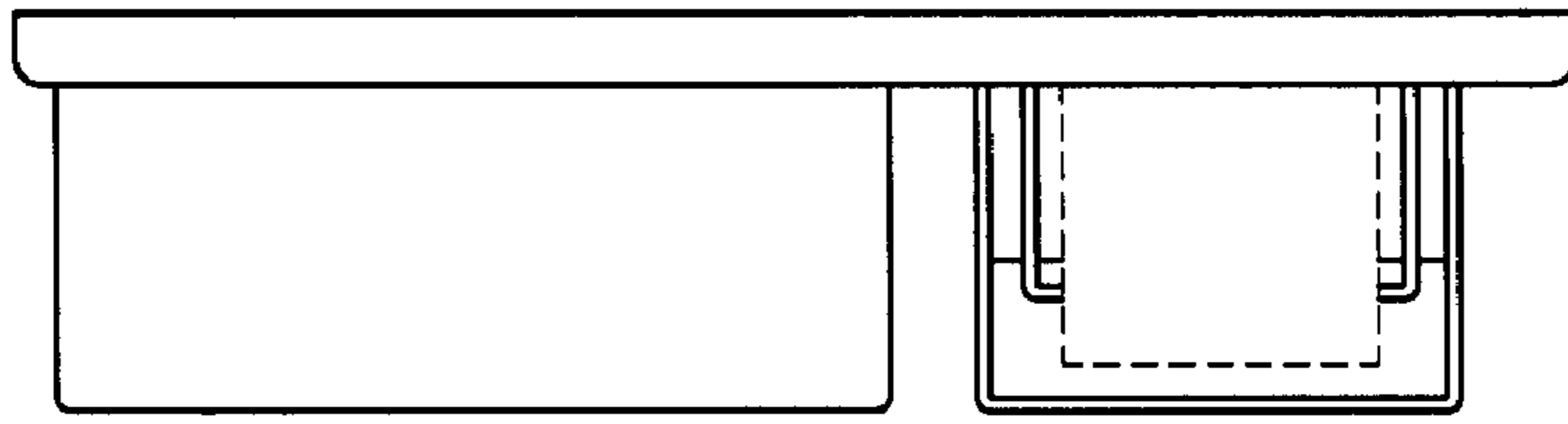


FIG. 2

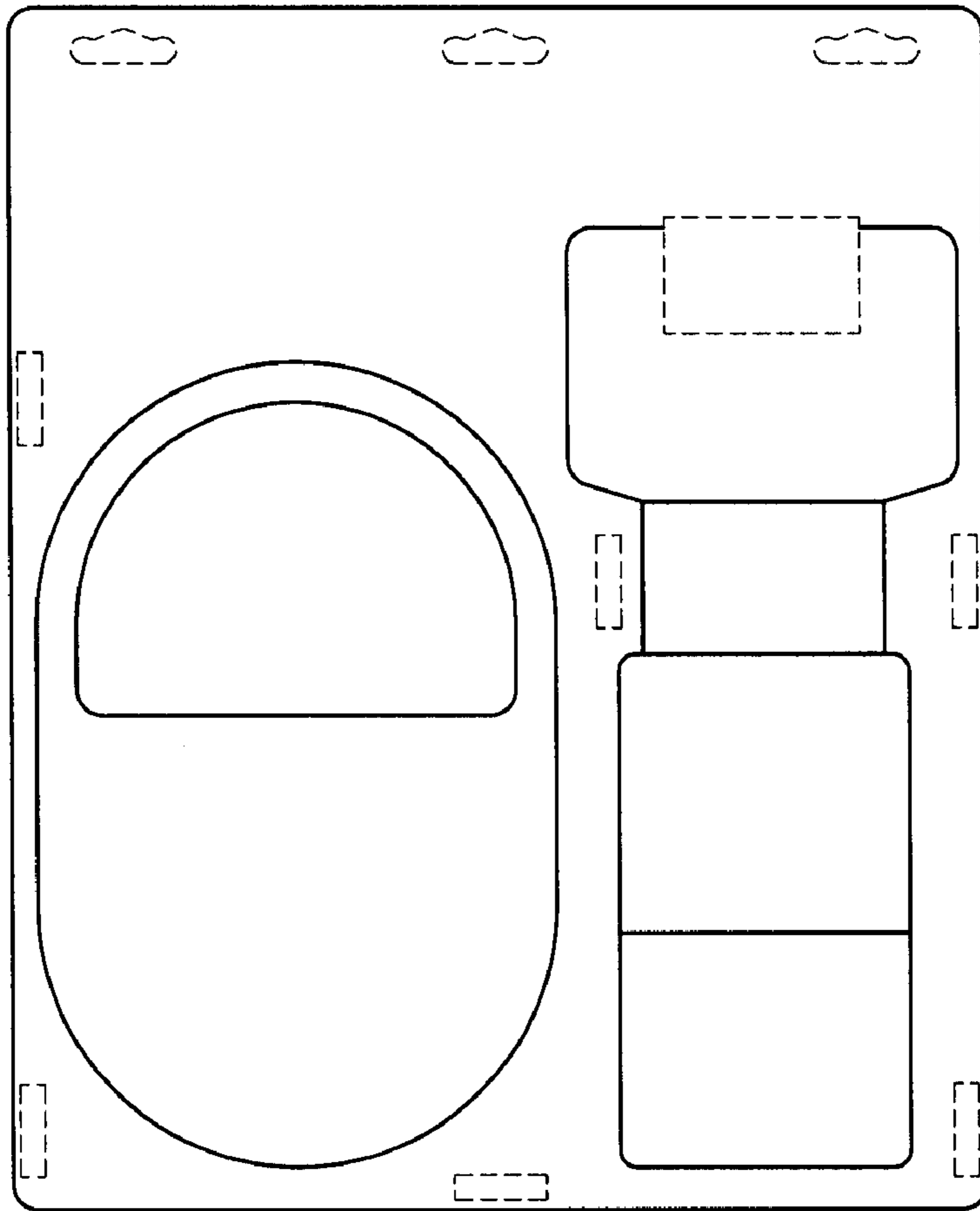


FIG. 3

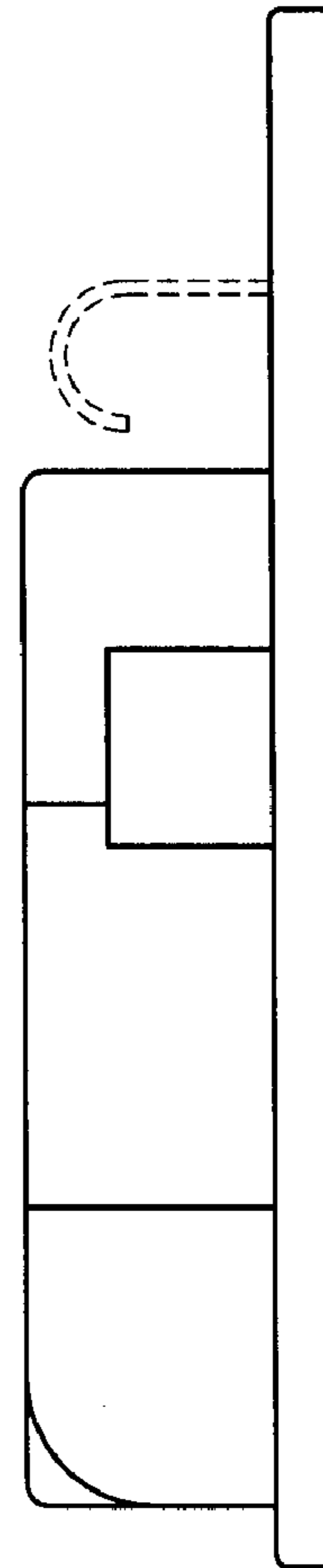


FIG. 4

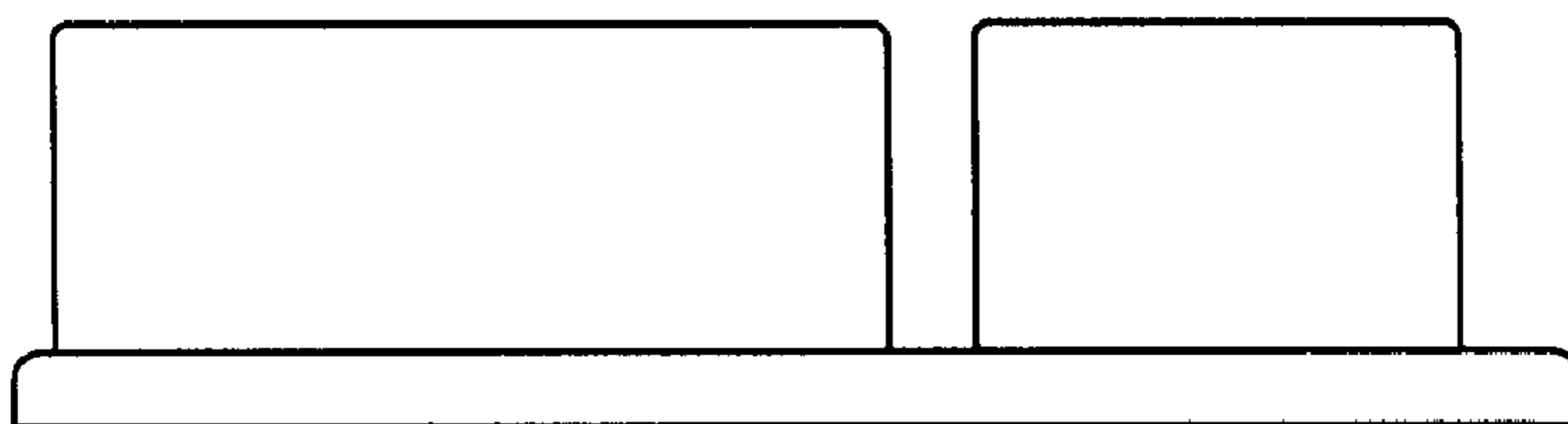


FIG. 5

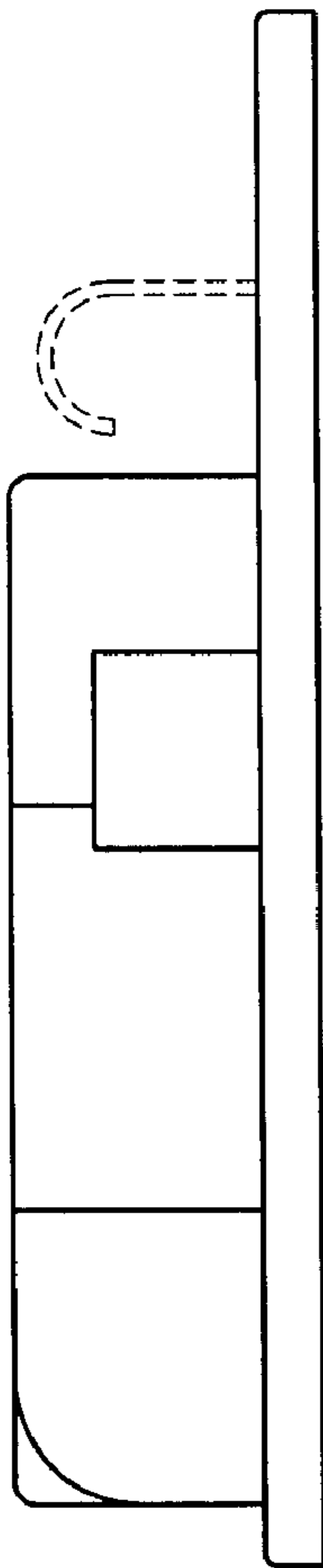


FIG. 6

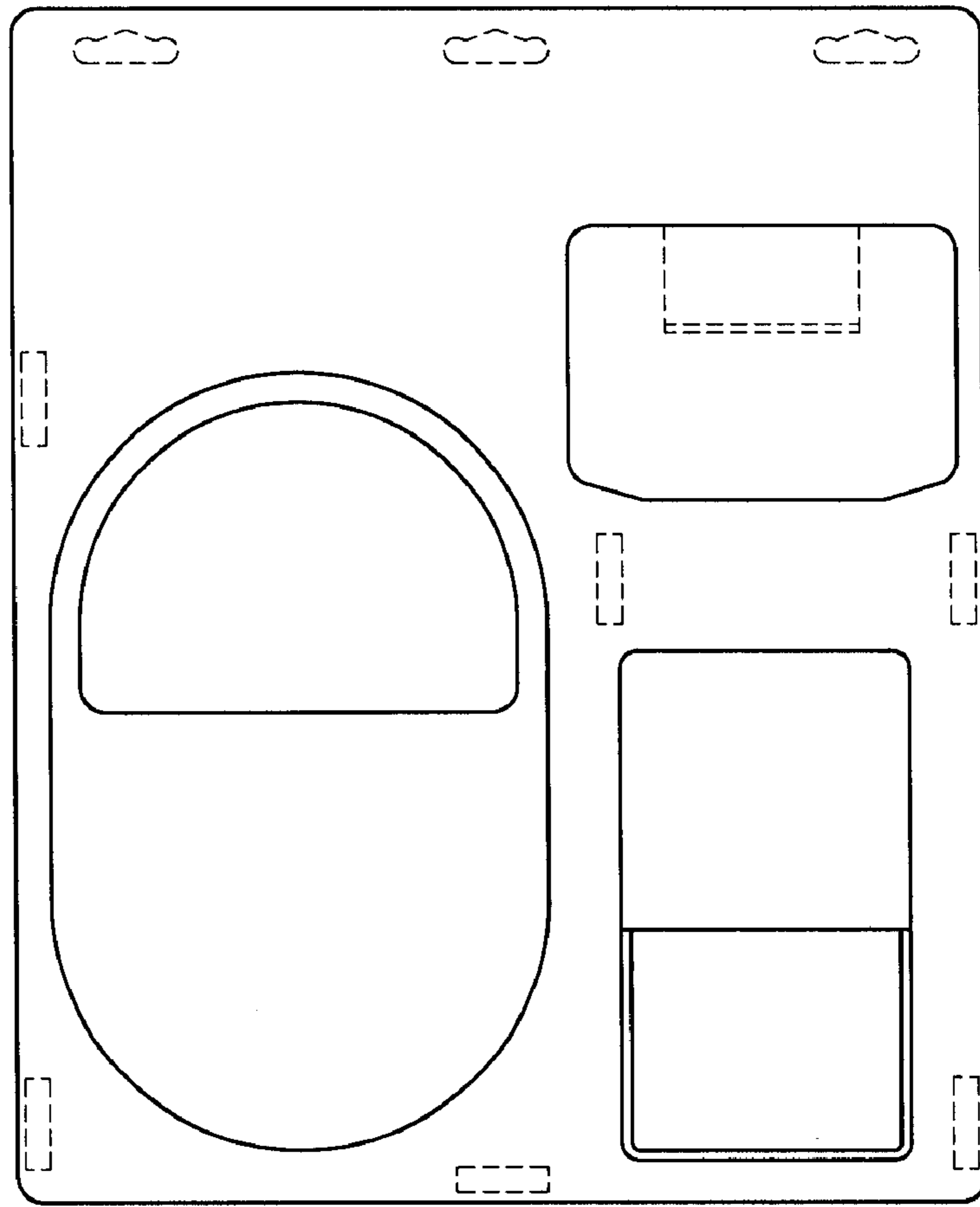


FIG. 7