



US00D519362S

(12) **United States Design Patent**
Lee et al.

(10) **Patent No.: US D519,362 S**
(45) **Date of Patent: ** Apr. 25, 2006**

(54) **PACKAGING**

(75) Inventors: **Barry Howard Lee**, Rayleigh (GB);
Jonathan Arnold Manley Knight,
London (GB)

(73) Assignee: **FISCO Tools Limited**, Essex (GB)

(**) Term: **14 Years**

(21) Appl. No.: **29/185,741**

(22) Filed: **Jul. 3, 2003**

(30) **Foreign Application Priority Data**

Feb. 13, 2003 (GB) 3010853

(51) **LOC (8) Cl.** **09-07**

(52) **U.S. Cl.** **D9/415; D9/418**

(58) **Field of Classification Search** D9/414,
D9/415, 418, 737; 206/461-471, 477, 478,
206/482, 483, 486, 487, 495, 448, 806
See application file for complete search history.

(56) **References Cited**

U.S. PATENT DOCUMENTS

- 4,634,005 A * 1/1987 Kulzer et al. 206/477
- 4,729,473 A * 3/1988 Kulzer et al. 206/477
- D349,239 S * 8/1994 Steenland D9/415
- 5,484,056 A * 1/1996 Wood 206/349
- D432,910 S * 10/2000 Caper D9/415
- D434,654 S * 12/2000 McCool D9/432
- D437,552 S * 2/2001 Findle et al. D9/415

- 6,196,389 B1 * 3/2001 Buetter et al. 206/397
- 6,425,482 B1 * 7/2002 Chiang 206/349
- D478,508 S * 8/2003 Kumakura D9/451
- 6,672,555 B1 * 1/2004 Chang 248/317
- 6,679,379 B1 * 1/2004 Kao 206/349

* cited by examiner

Primary Examiner—Prabhakar Deshmukh

(74) *Attorney, Agent, or Firm*—Buchanan Ingersoll PC

(57) **CLAIM**

The ornamental design for a packaging, as shown and described.

DESCRIPTION

FIG. 1 is a front perspective view of a packaging showing a first embodiment of our new design.

FIG. 2 is a rear perspective view thereof.

FIG. 3 is a front elevational view thereof.

FIG. 4 is a side elevational view thereof; the other side being a mirror image thereof.

FIG. 5 is a top view thereof.

FIG. 6 is a bottom view thereof.

FIG. 7 is a front perspective view of a packaging showing a second embodiment of our new design.

FIG. 8 is a rear perspective view thereof.

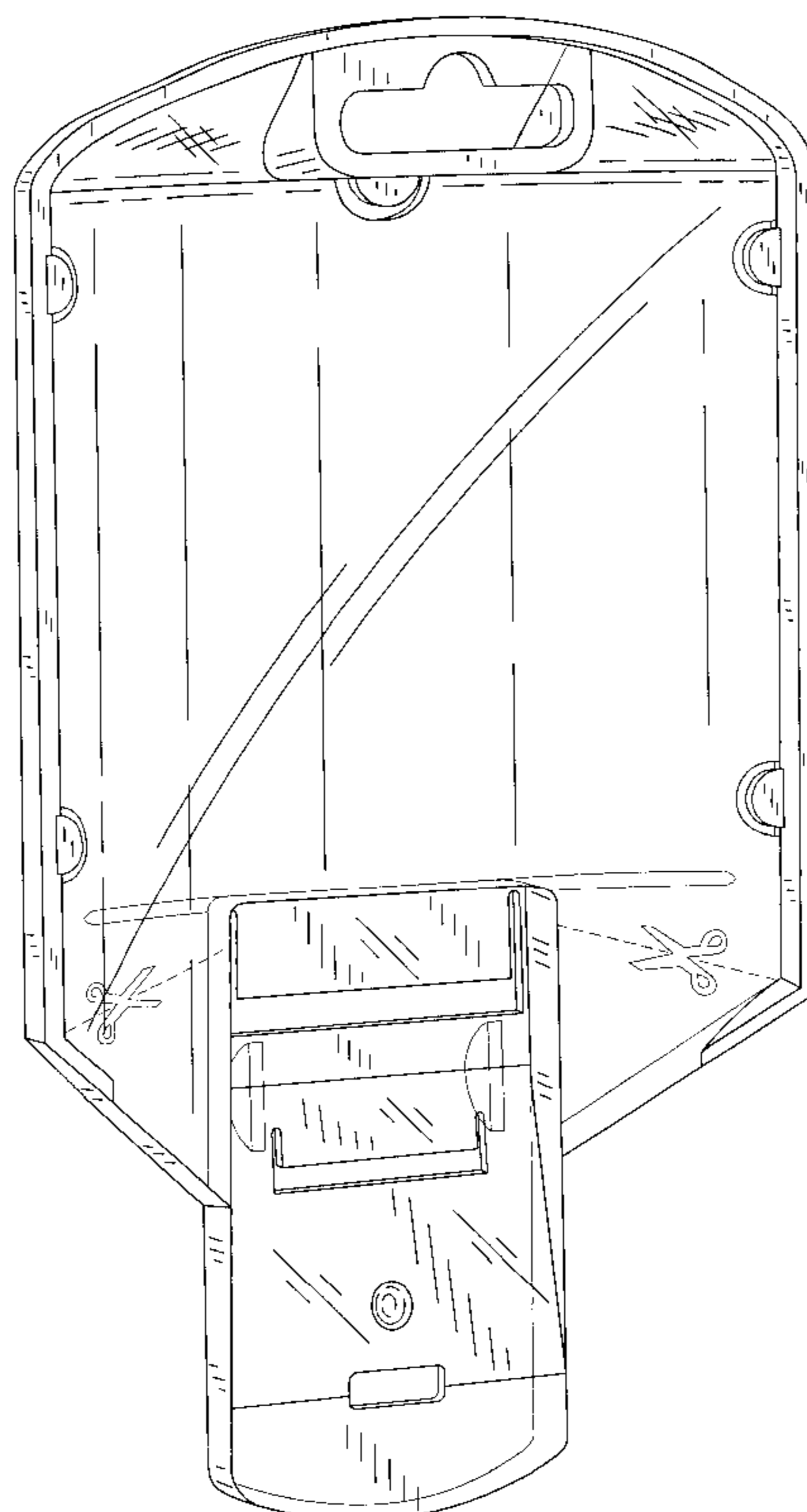
FIG. 9 is a front elevational view thereof.

FIG. 10 is a side elevational view thereof; the other side being a mirror image thereof.

FIG. 11 is a top view thereof; and,

FIG. 12 is a bottom view thereof.

1 Claim, 10 Drawing Sheets



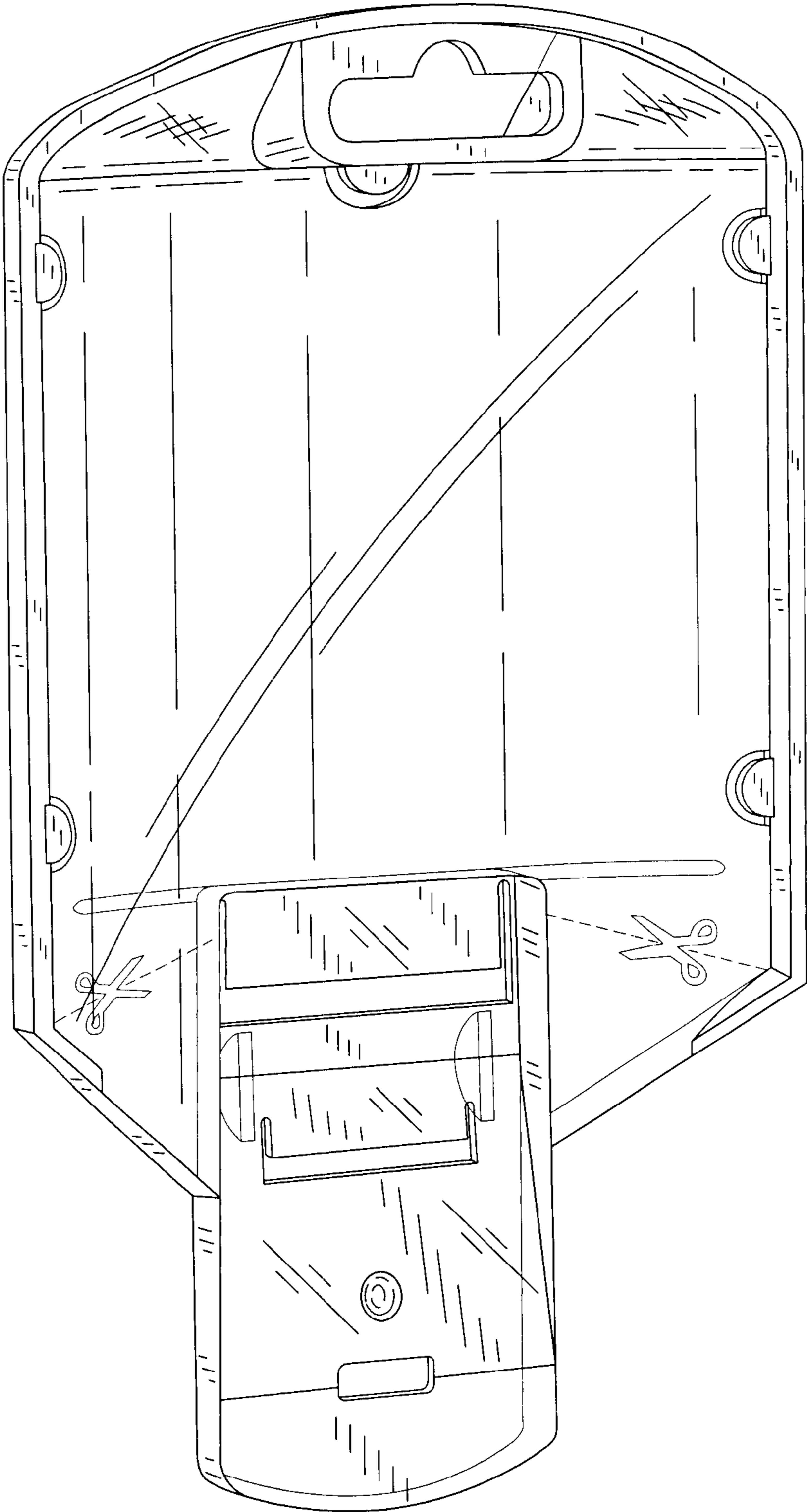


FIG. 1

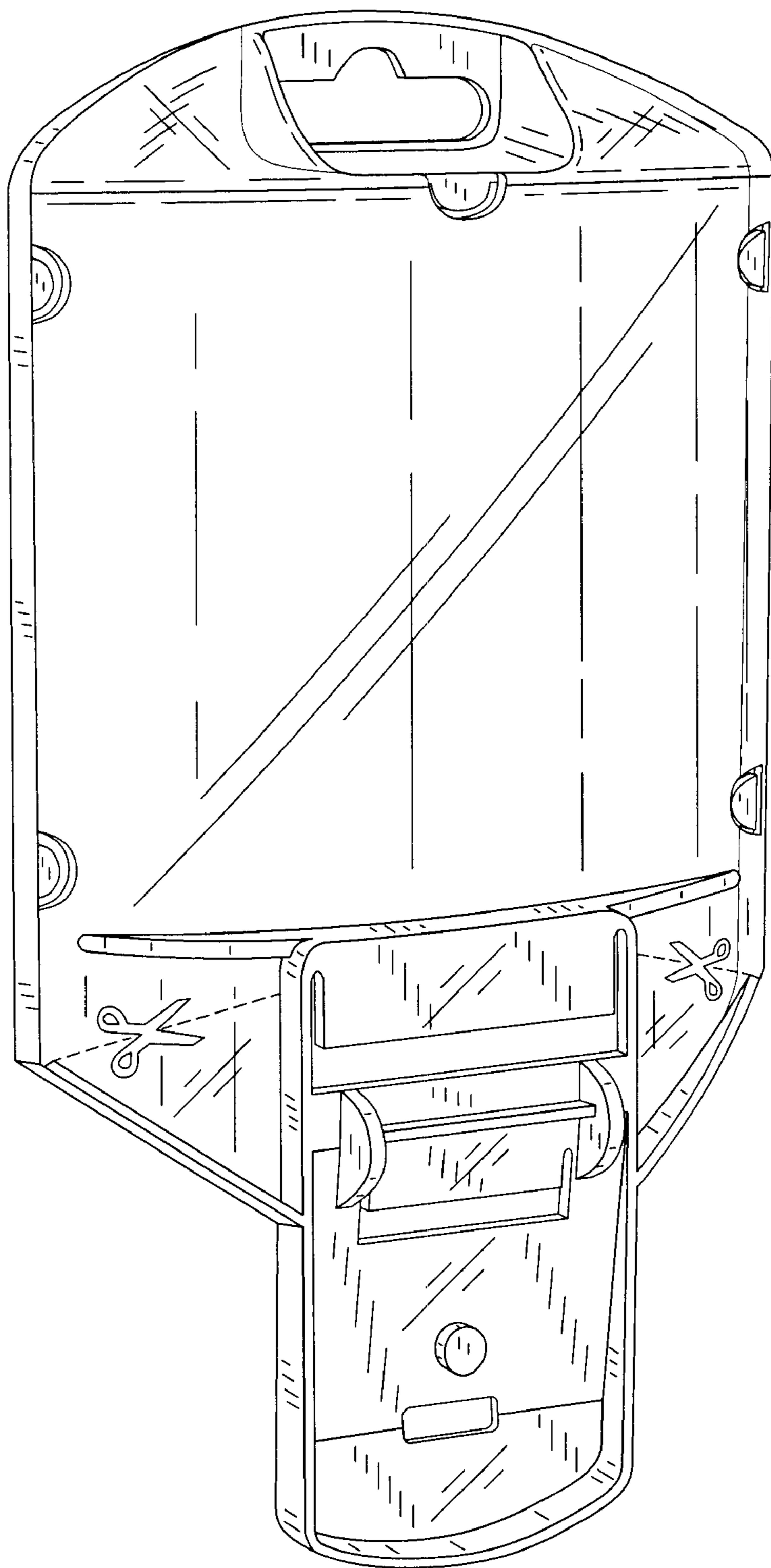


FIG. 2

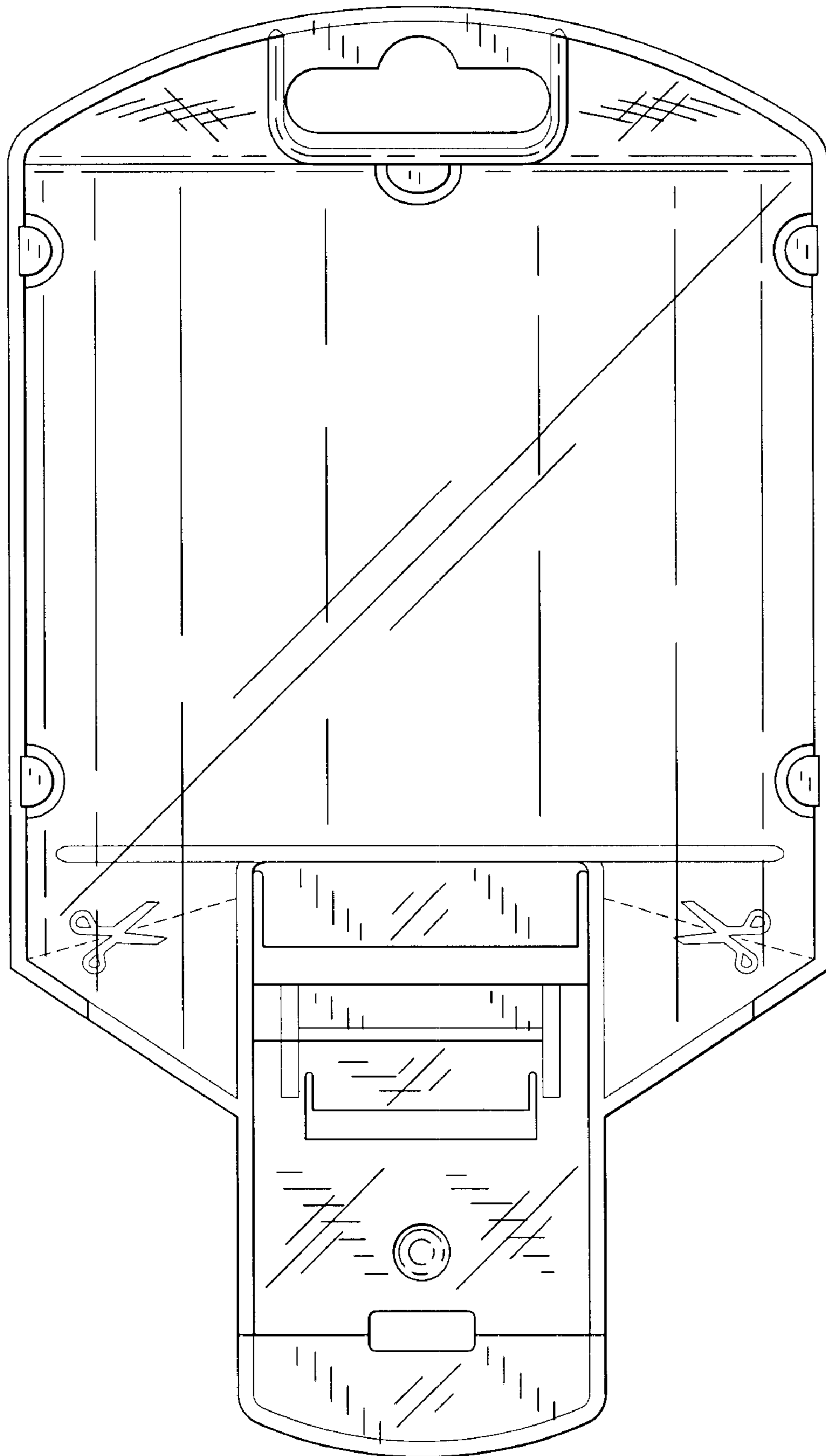


FIG. 3

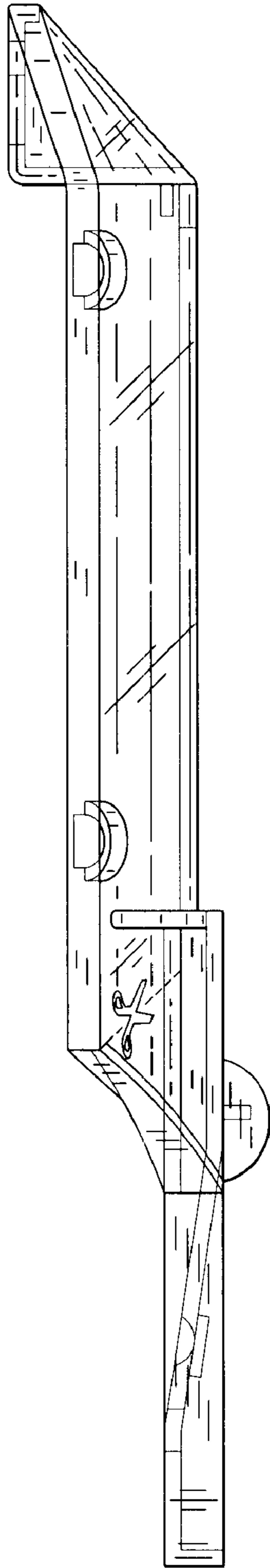


FIG. 4

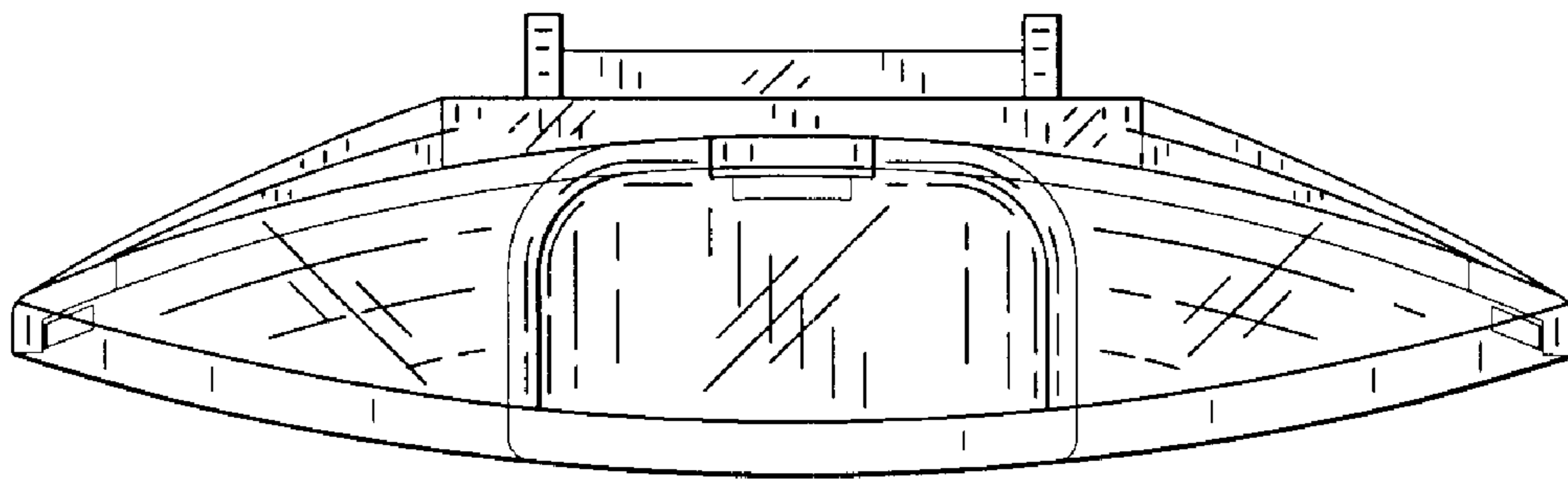


FIG. 5

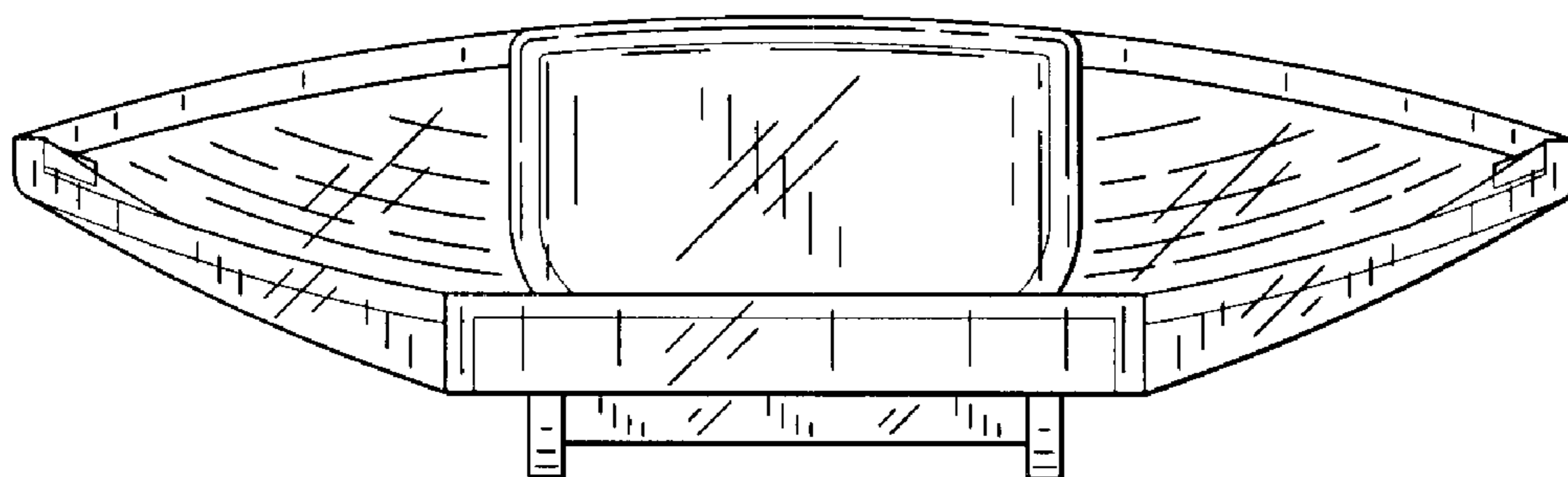


FIG. 6

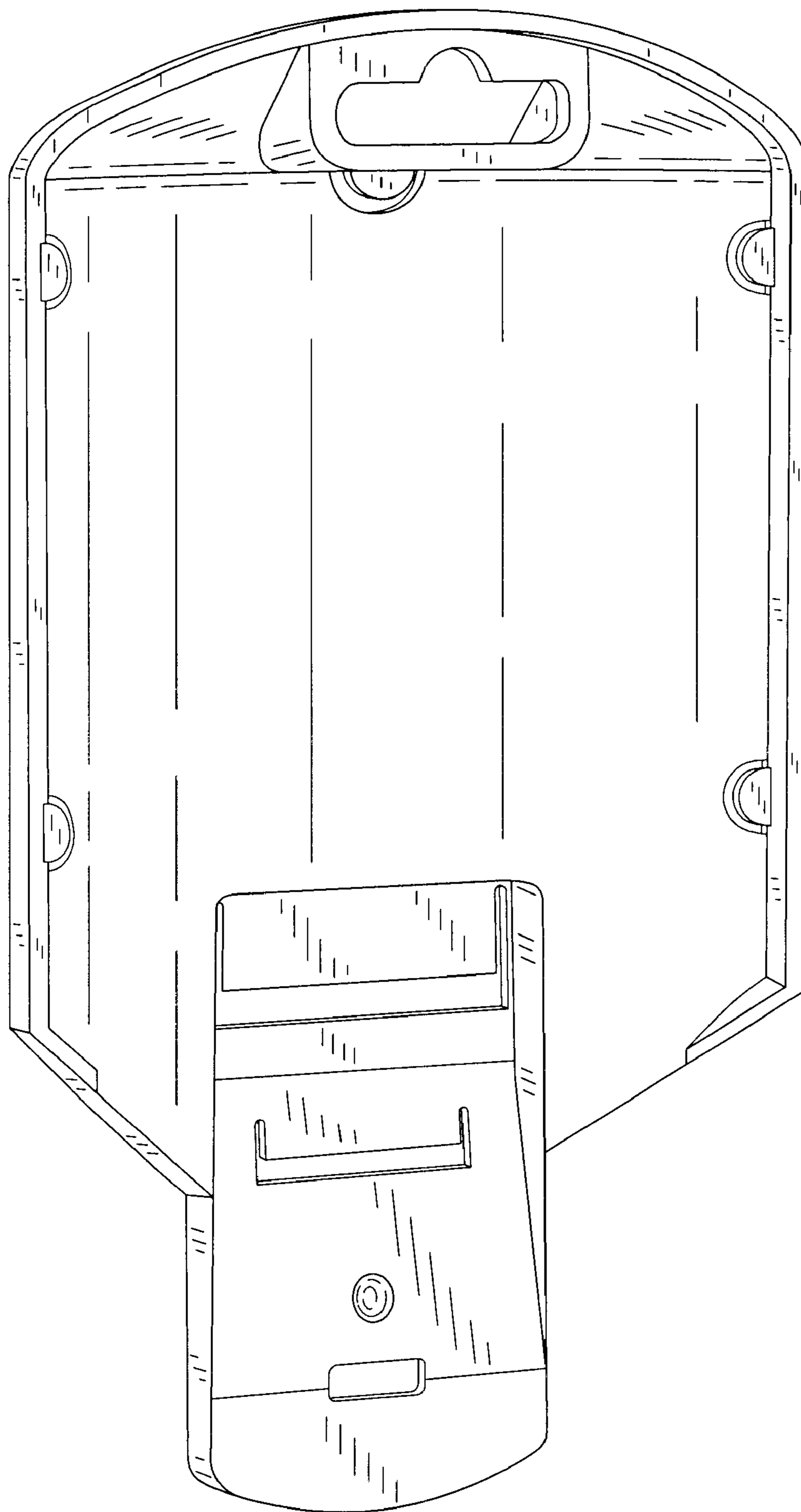


FIG. 7

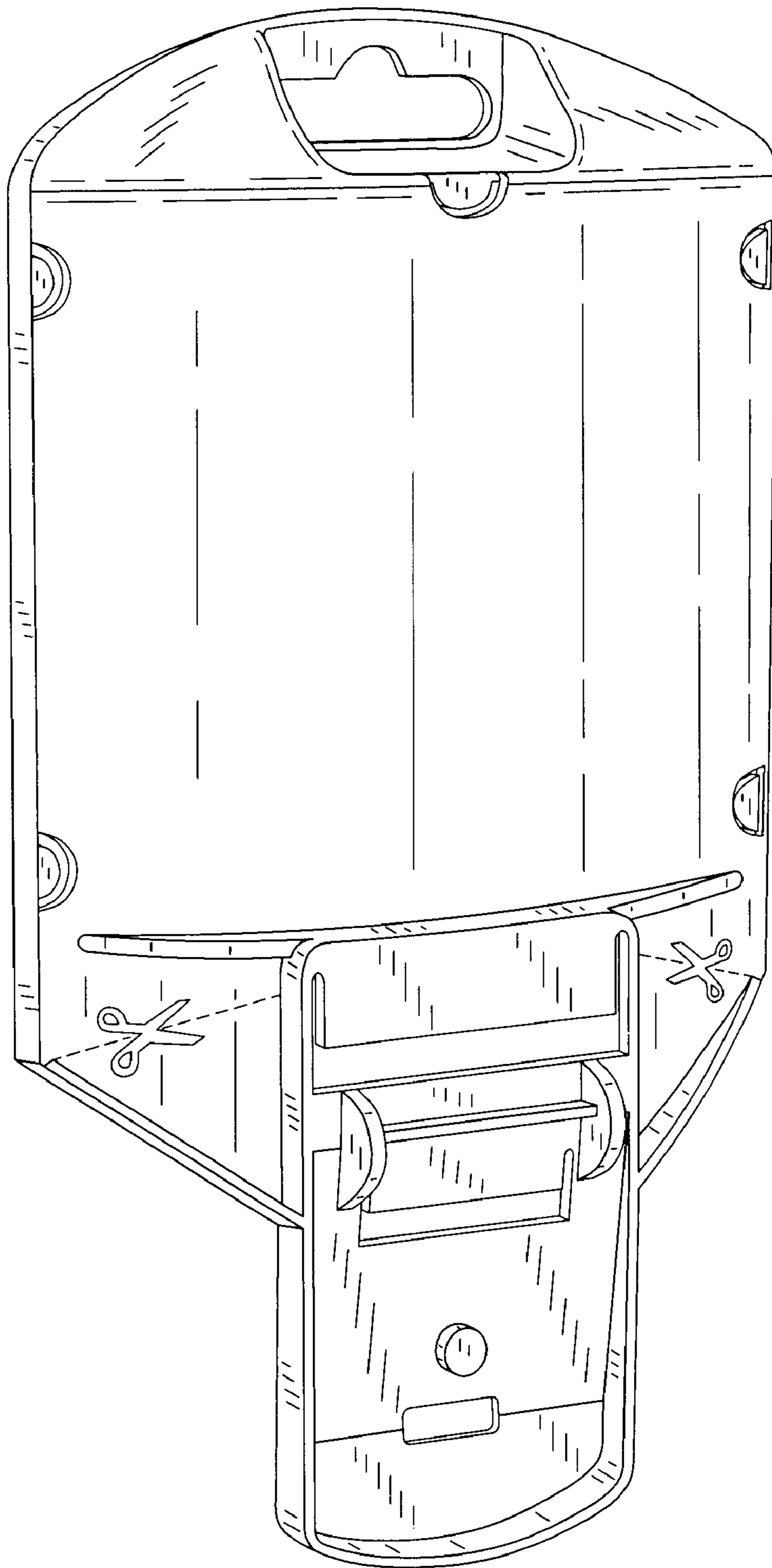


FIG. 8

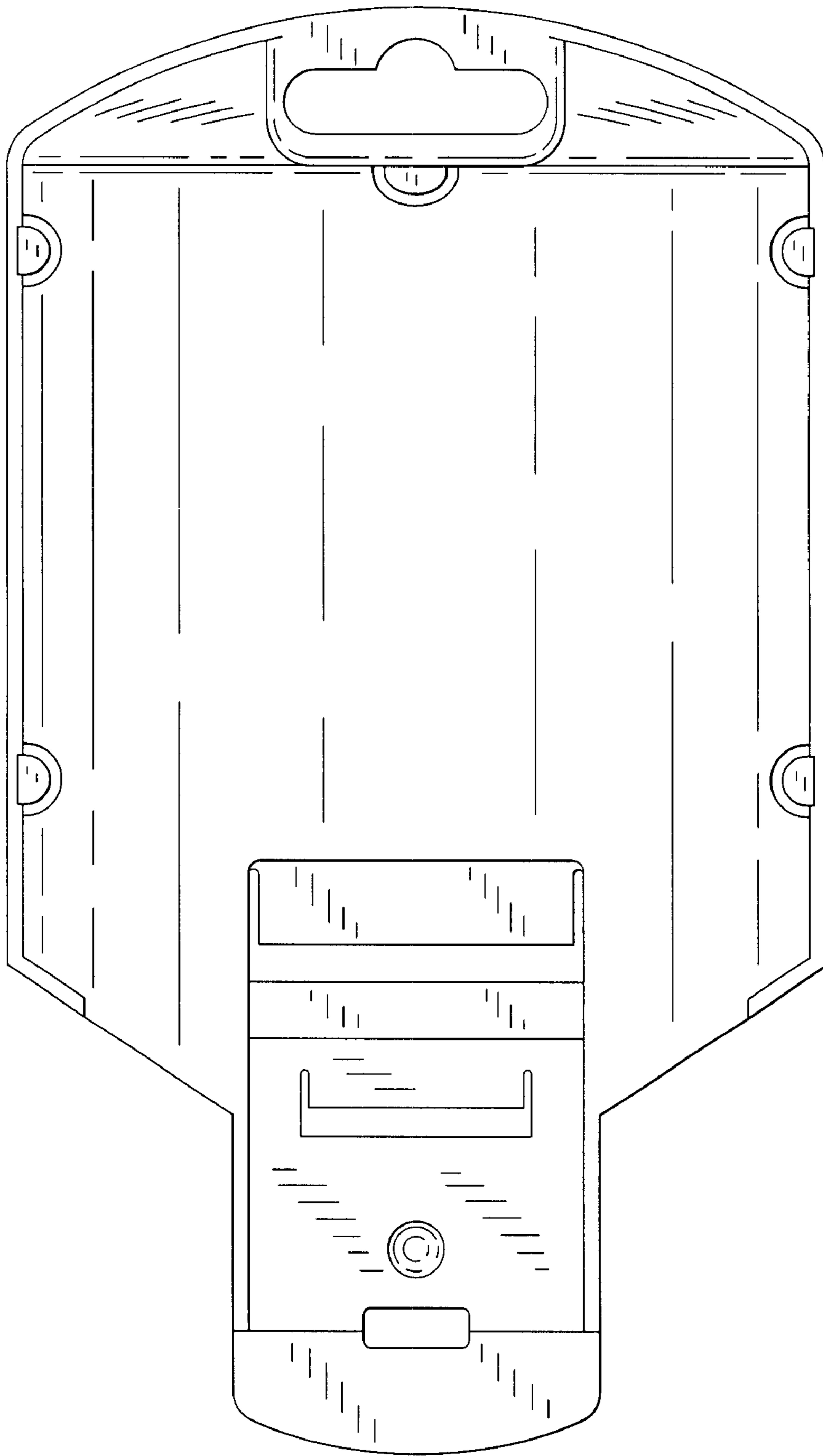


FIG. 9

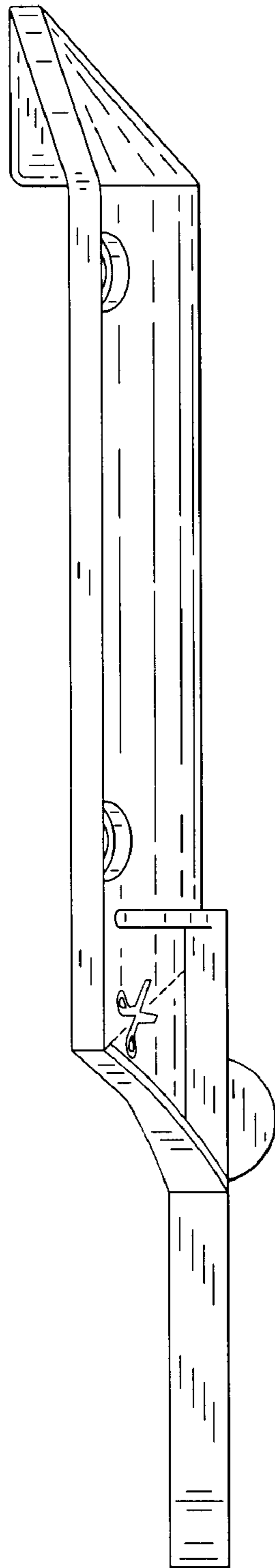


FIG. 10

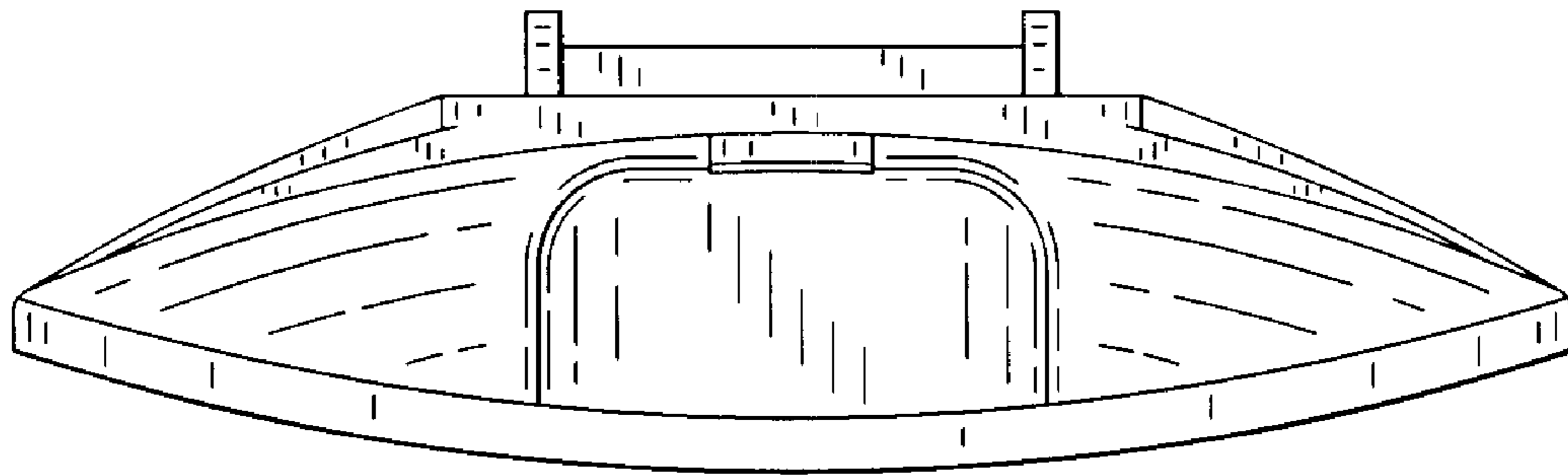


FIG. 11

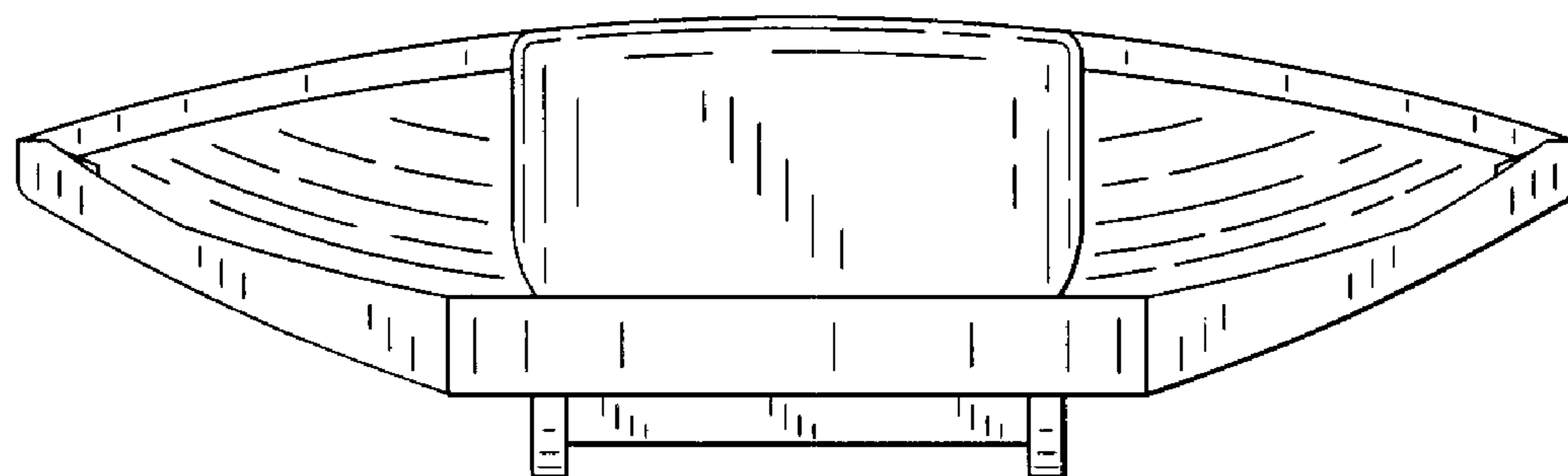


FIG. 12