

US00D519359S

(12) **United States Design Patent**  
**Hoernig**

(10) **Patent No.:** **US D519,359 S**

(45) **Date of Patent:** **\*\* Apr. 25, 2006**

(54) **HOOK**

D353,492 S \* 12/1994 Goodman et al. .... D6/323  
D470,037 S \* 2/2003 Knapp ..... D8/372

(75) Inventor: **Victor Hoernig**, Lowell, IN (US)

\* cited by examiner

(73) Assignee: **Brasstech, Inc.**, Santa Ana, CA (US)

*Primary Examiner*—Holly H. Baynham

(\*\*) Term: **14 Years**

(74) *Attorney, Agent, or Firm*—Kwadjo Adusei-Poku;  
Lloyd D. Doigan

(21) Appl. No.: **29/224,592**

(57) **CLAIM**

(22) Filed: **Mar. 3, 2005**

The ornamental design for a hook, as shown and described.

(51) **LOC (8) Cl.** ..... **08-05**

**DESCRIPTION**

(52) **U.S. Cl.** ..... **D8/372**

FIG. 1 is a front perspective view of a hook showing my design;

(58) **Field of Classification Search** ..... D8/372;  
248/301, 304, 214–215

FIG. 2 is a right side elevational view thereof;

FIG. 3 is a left side elevational view thereof;

See application file for complete search history.

FIG. 4 is a top plan view thereof;

FIG. 5 is a bottom plan view thereof;

FIG. 6 is a front elevational view thereof; and,

FIG. 7 is a rear elevational view thereof.

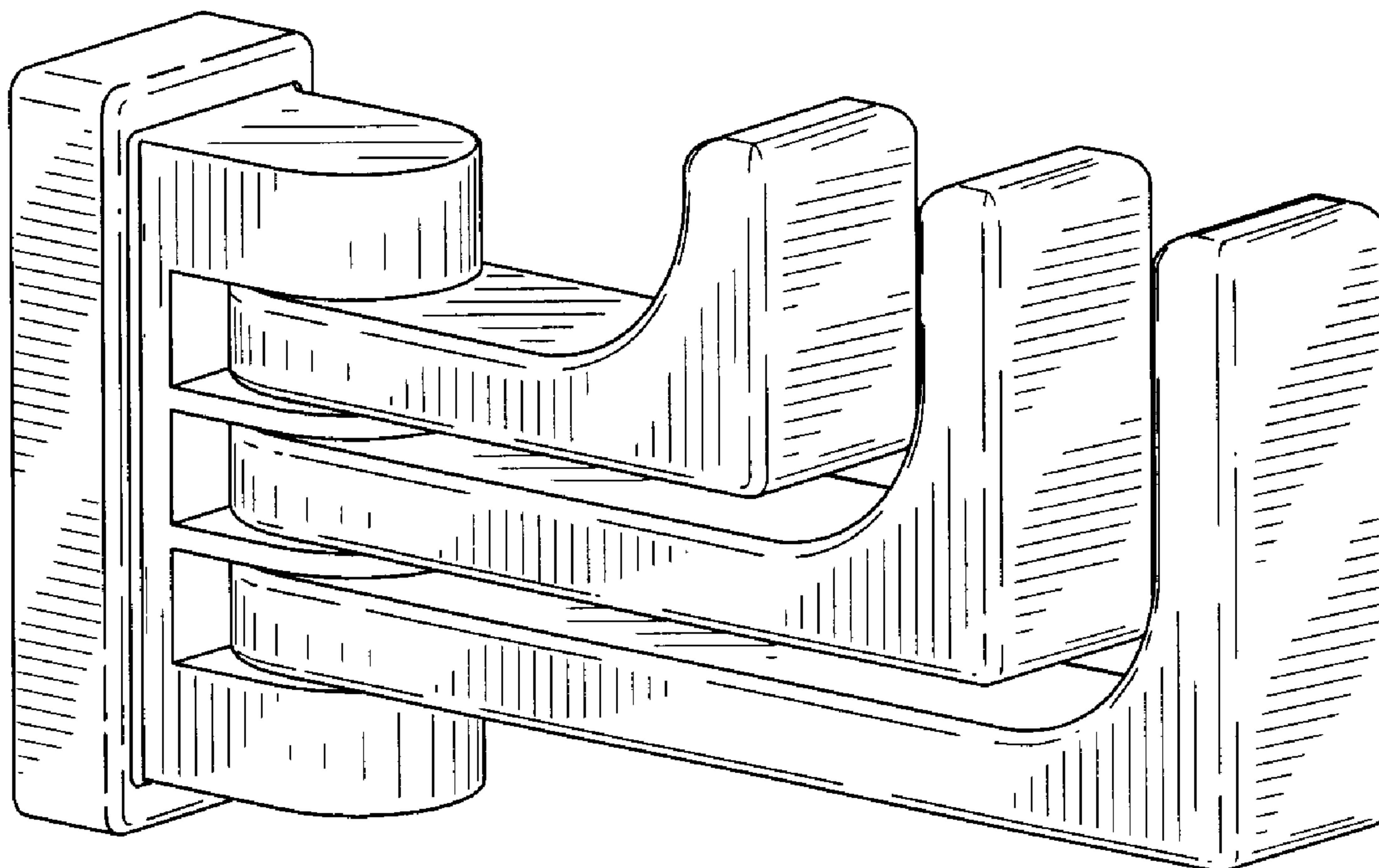
(56) **References Cited**

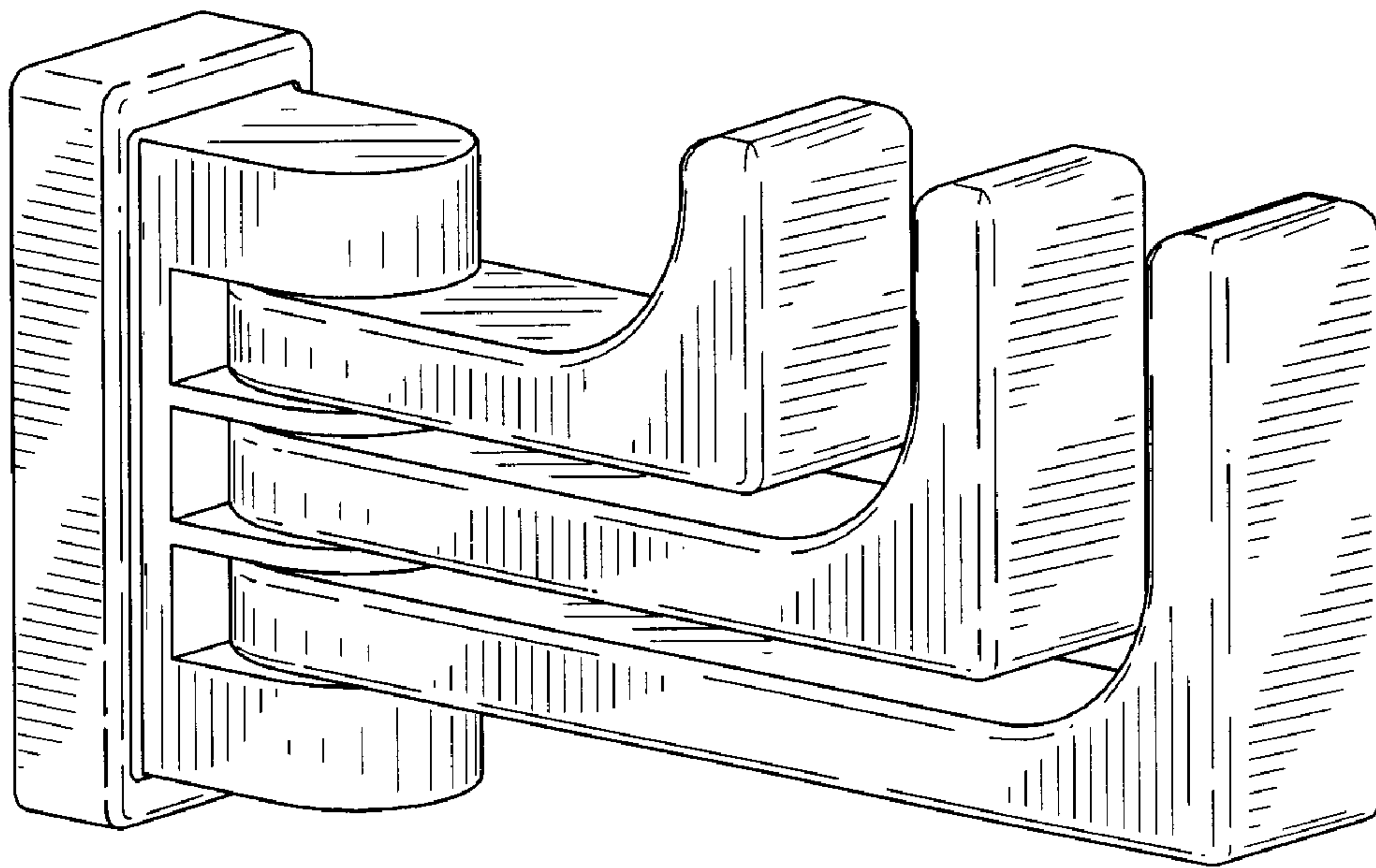
The broken lines in the Figures are for illustrative purposes only and form no part of the claimed design.

**U.S. PATENT DOCUMENTS**

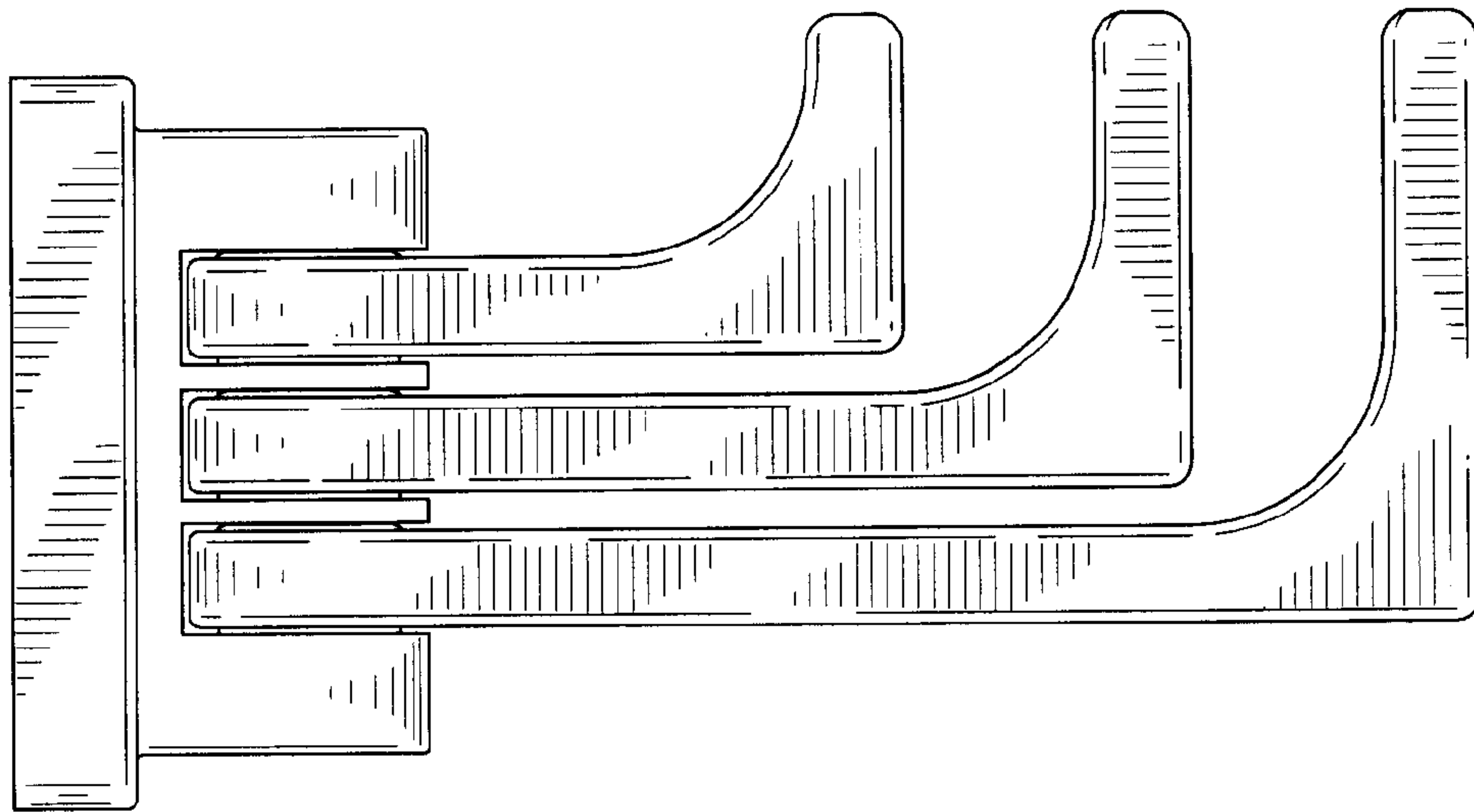
D38,025 S \* 5/1906 Lattin ..... D8/372  
1,691,123 A \* 11/1928 Pajeau ..... 211/113

**1 Claim, 7 Drawing Sheets**

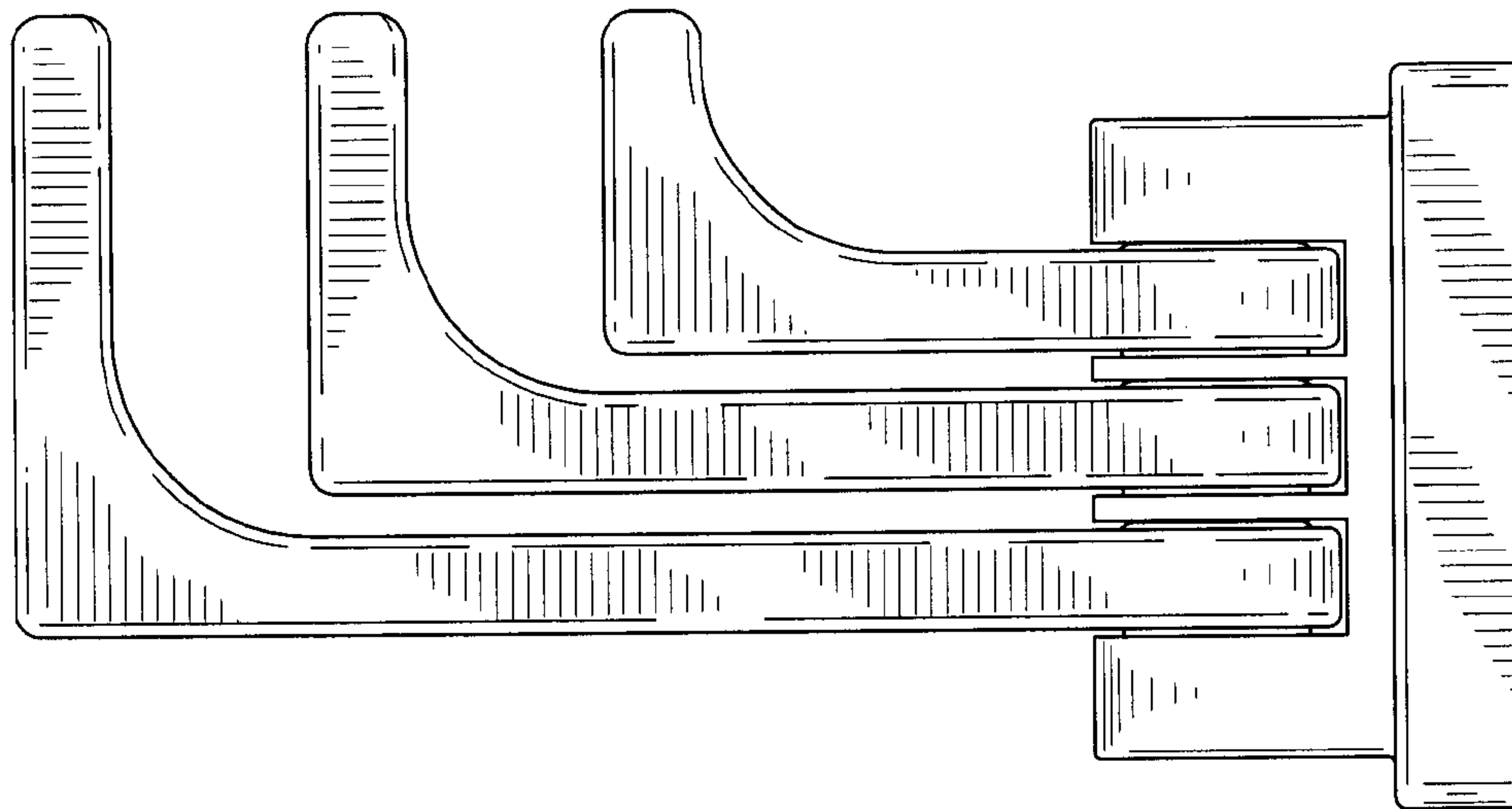




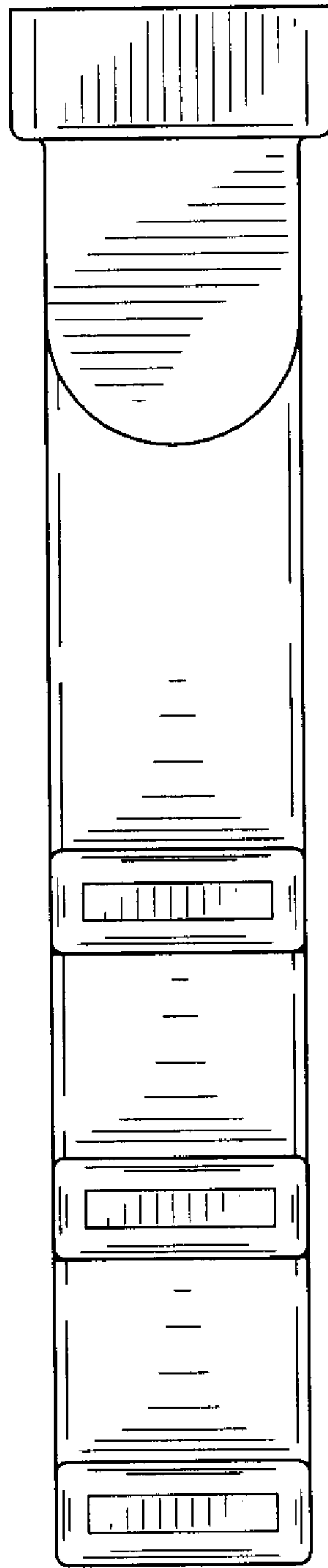
**FIG. 1**



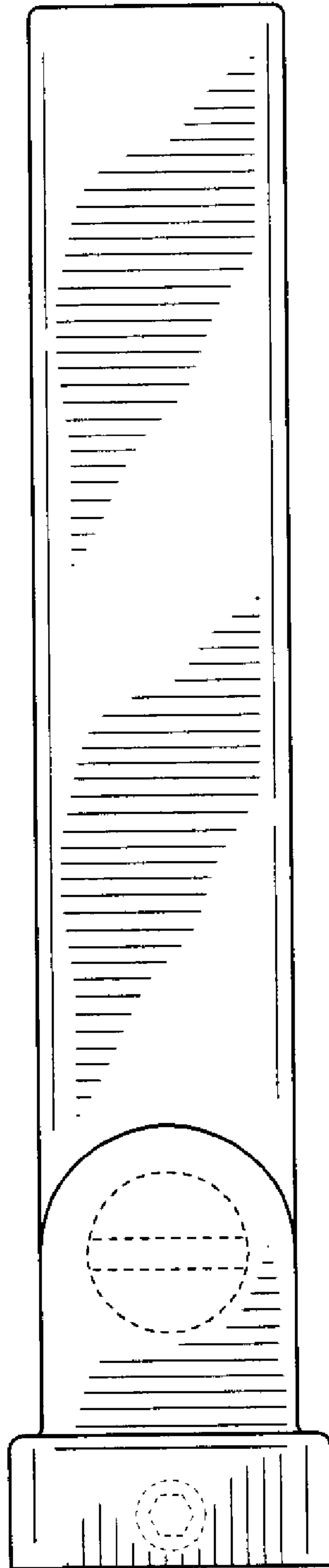
**FIG. 2**



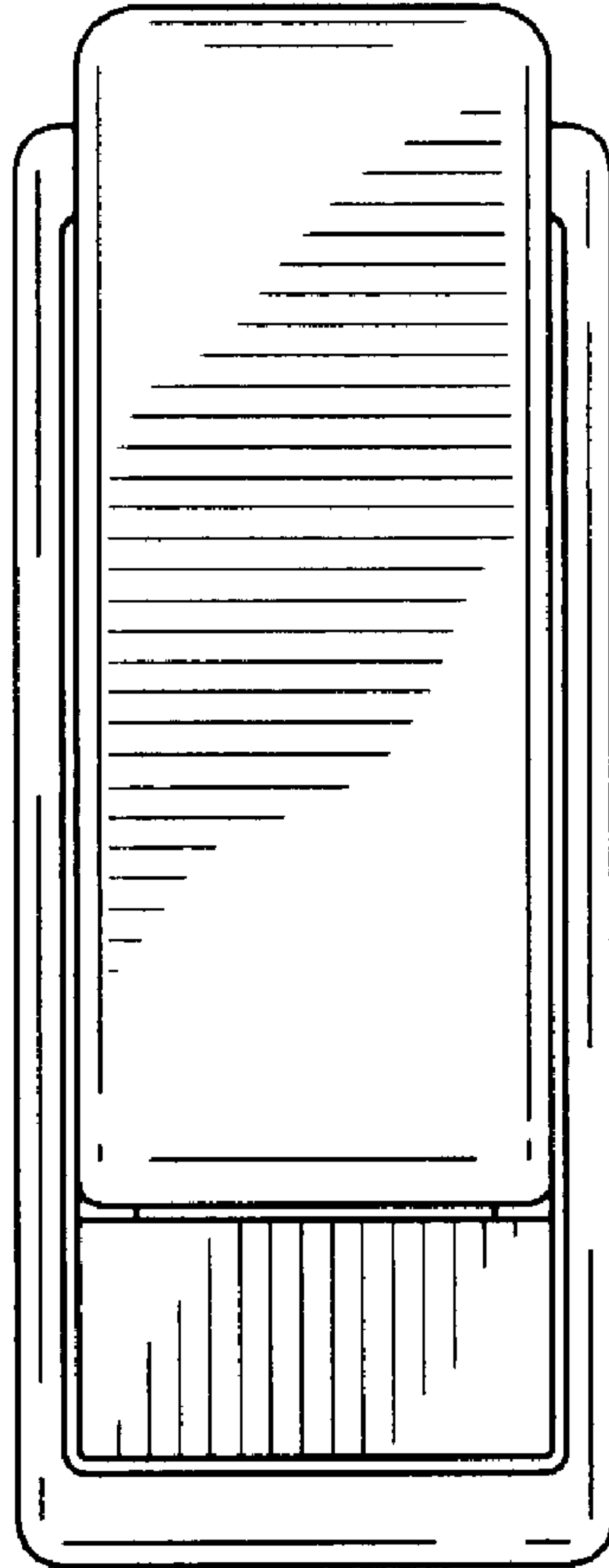
**FIG. 3**



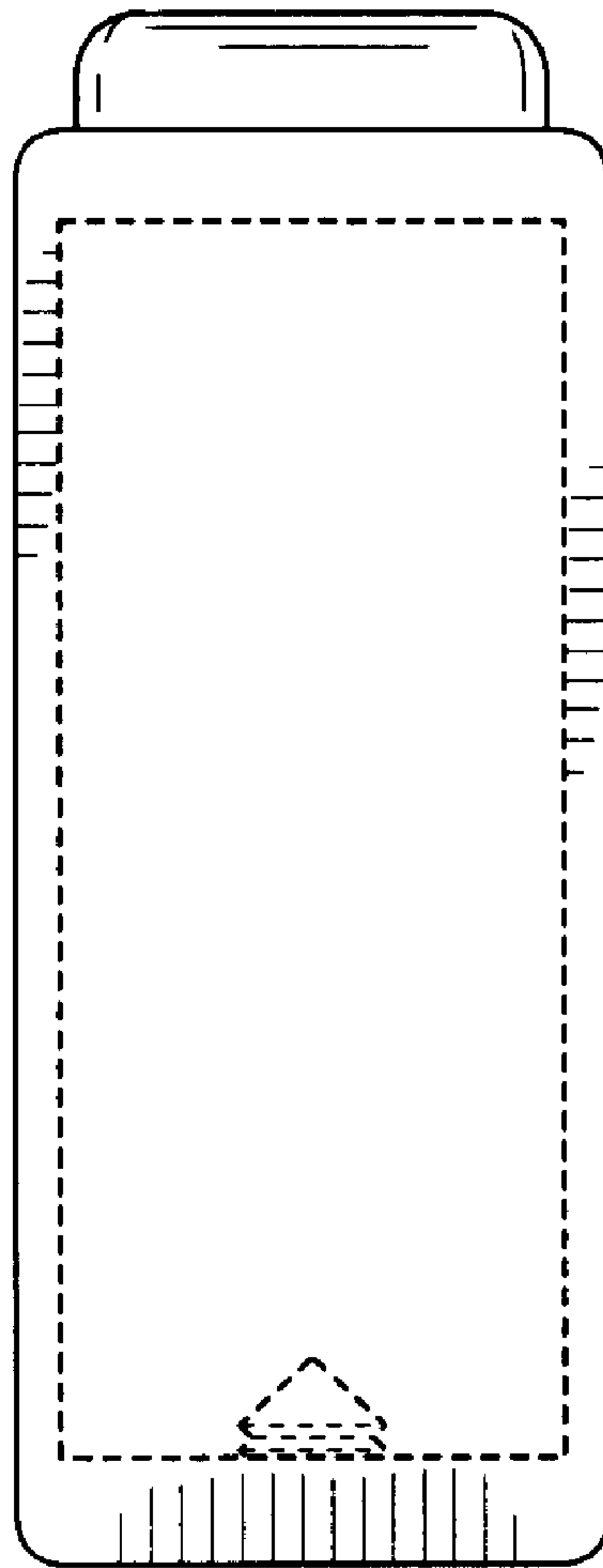
**FIG. 4**



**FIG. 5**



**FIG. 6**



**FIG. 7**