



US00D519358S

(12) **United States Design Patent**
Crawford

(10) **Patent No.:** **US D519,358 S**
(45) **Date of Patent:** **** Apr. 25, 2006**

(54) **BARRIER OR WALL MOUNTING APPARATUS**

5,114,266 A * 5/1992 Cocina, Jr. 404/6
D399,863 S * 10/1998 LaCicero D16/242
D450,561 S * 11/2001 Moore et al. D8/349

(76) Inventor: **Gregg Hugh Crawford**, 721 W. Maple Ave., Adrian, MI (US) 49221

* cited by examiner

(**) Term: **14 Years**

Primary Examiner—Holly H. Baynham

(21) Appl. No.: **29/200,867**

(57) **CLAIM**

(22) Filed: **Mar. 4, 2004**

The ornamental design for a barrier or wall mounting apparatus, as shown and described.

Related U.S. Application Data

DESCRIPTION

(63) Continuation-in-part of application No. 10/335,721, filed on Jan. 2, 2003, now abandoned, which is a continuation-in-part of application No. 10/176,319, filed on Jun. 19, 2002, now abandoned.

FIG. 1 is an isometric view of the barrier or wall mounting apparatus showing my new design;

(51) **LOC (8) Cl.** **08-05**

FIG. 2 is a reduced scale front elevational view of FIG. 1, with the backside elevational view being the mirror image of the front.

(52) **U.S. Cl.** **D8/354**

FIG. 3 is a left side elevational view of FIG. 2.

(58) **Field of Classification Search** D8/349, D8/354, 380; 248/300; 404/6; D20/43
See application file for complete search history.

FIG. 4 is a right side elevational view of FIG. 2; and,

FIG. 5 is the top view of FIG. 2.

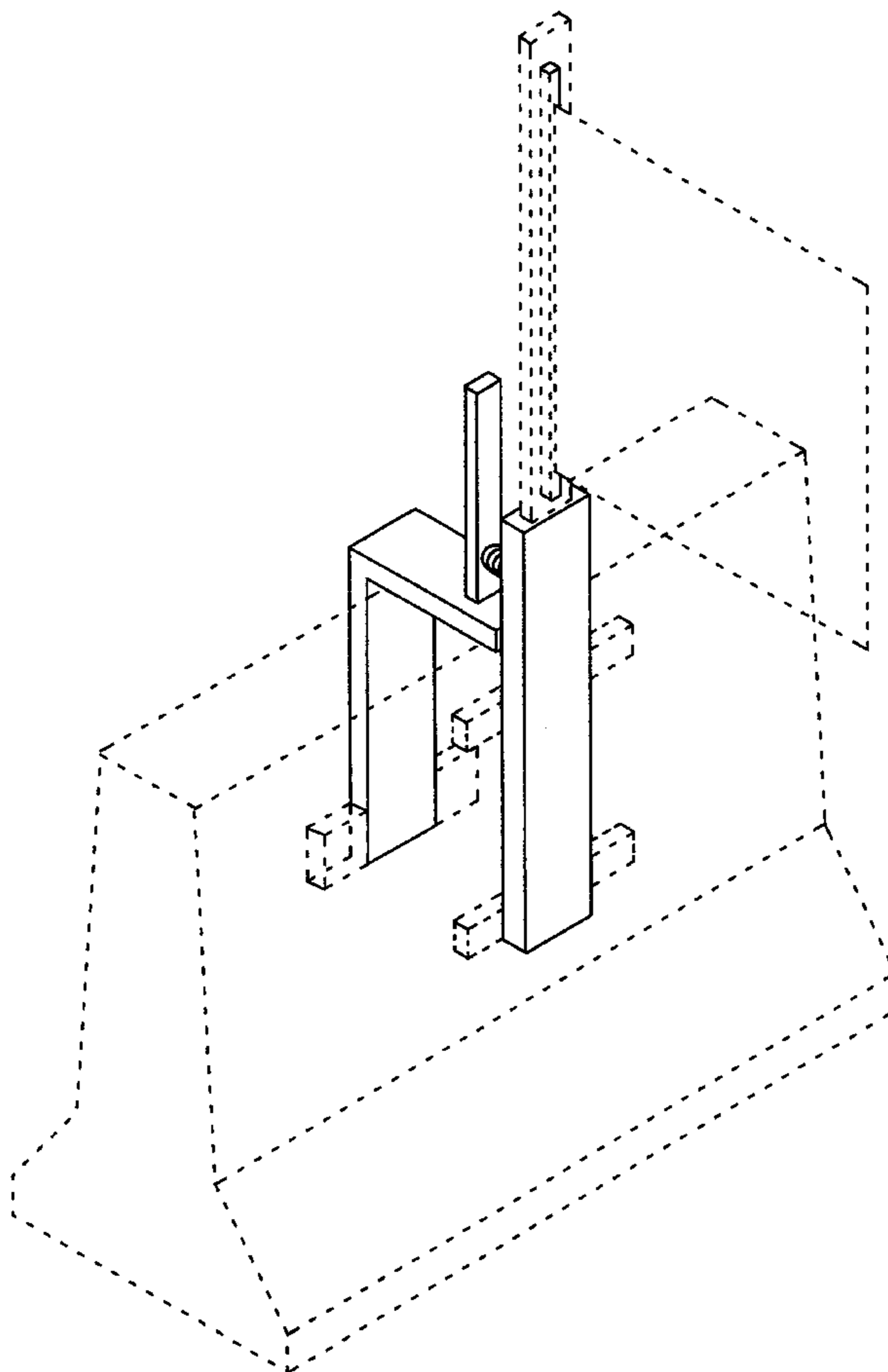
The broken line showing of a sign mount, sign and barrier are for illustrative purposes only and form no part of the claimed design.

(56) **References Cited**

U.S. PATENT DOCUMENTS

D289,007 S * 3/1987 Garcia D8/354

1 Claim, 5 Drawing Sheets



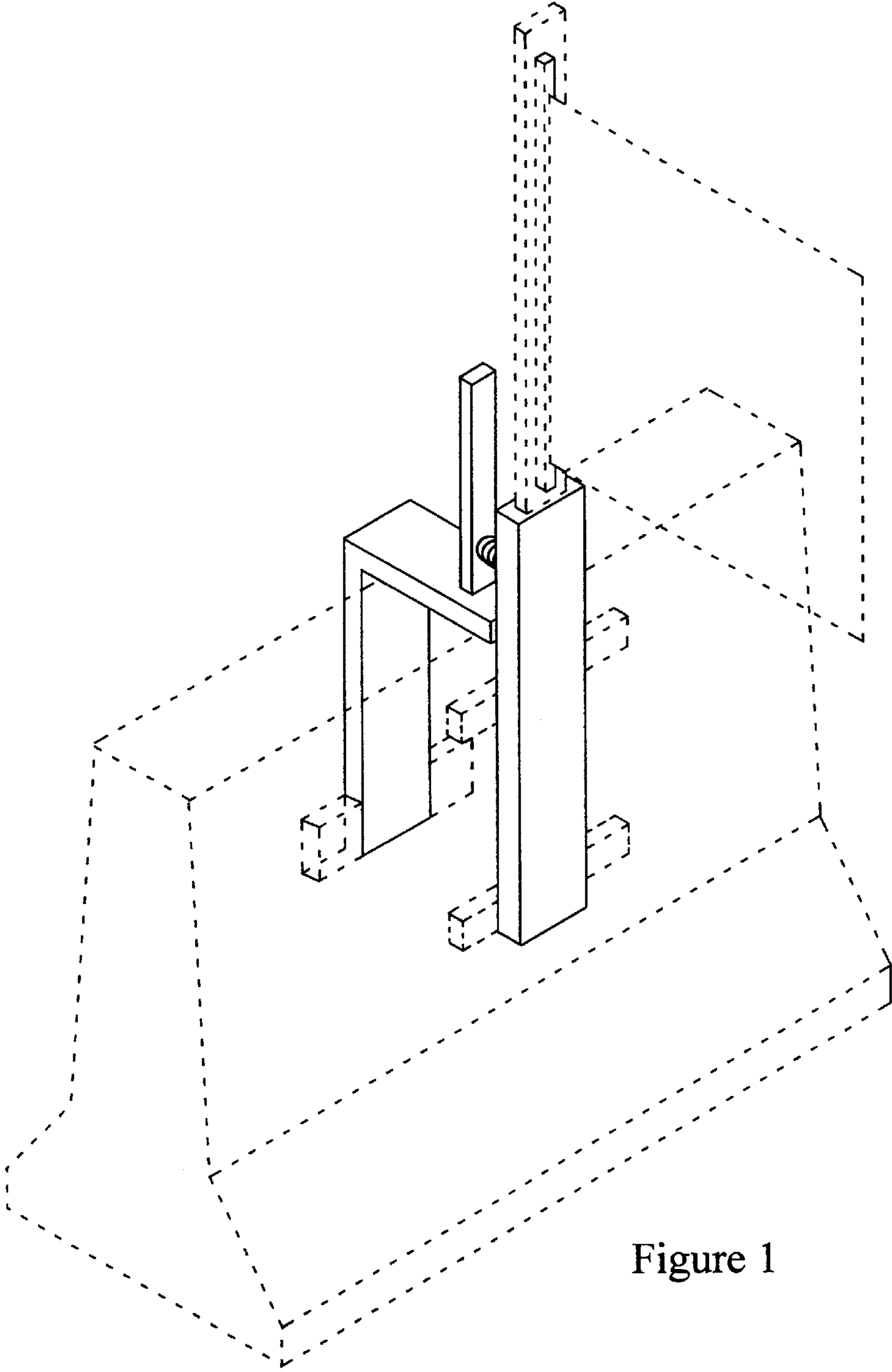


Figure 1

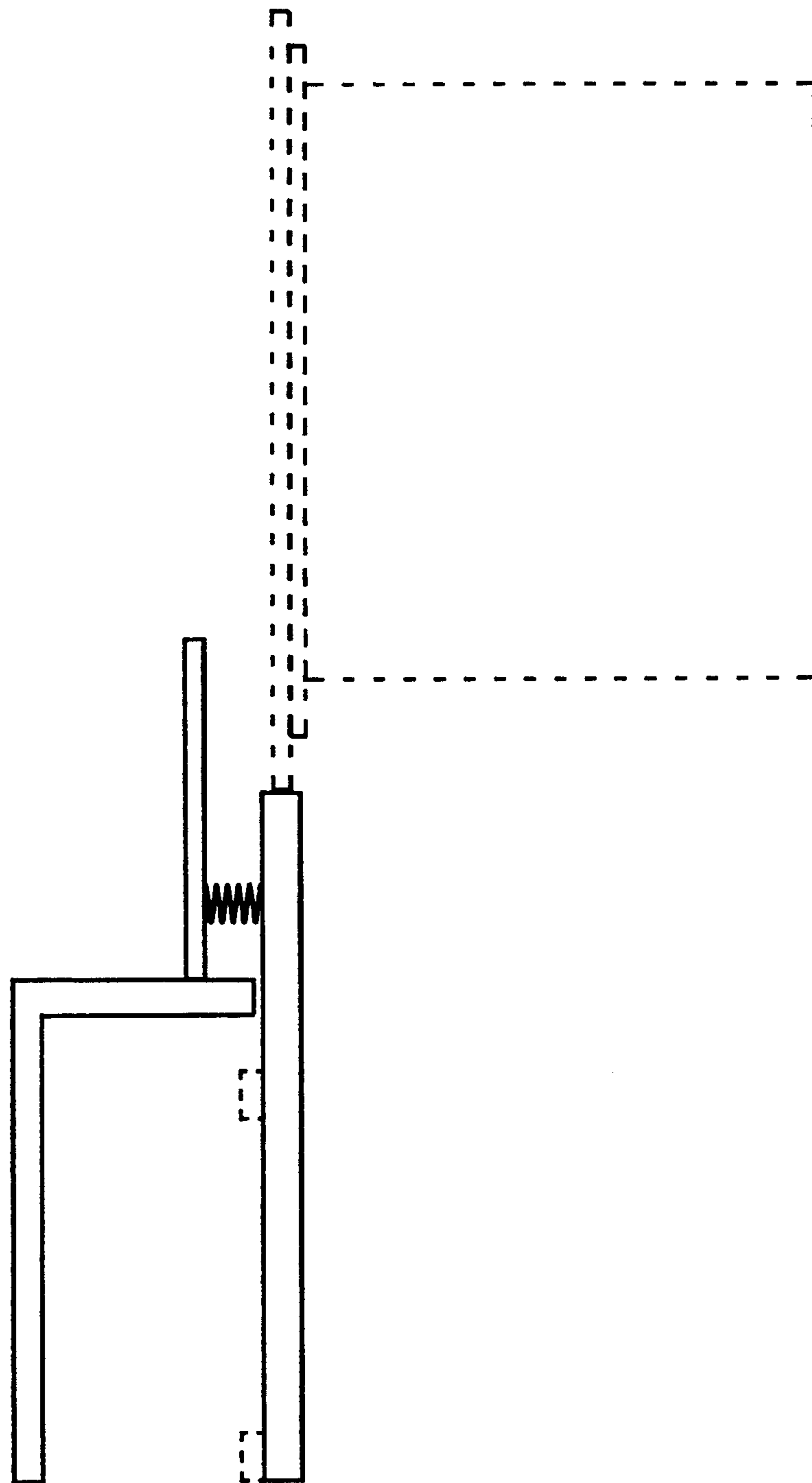


Figure 2

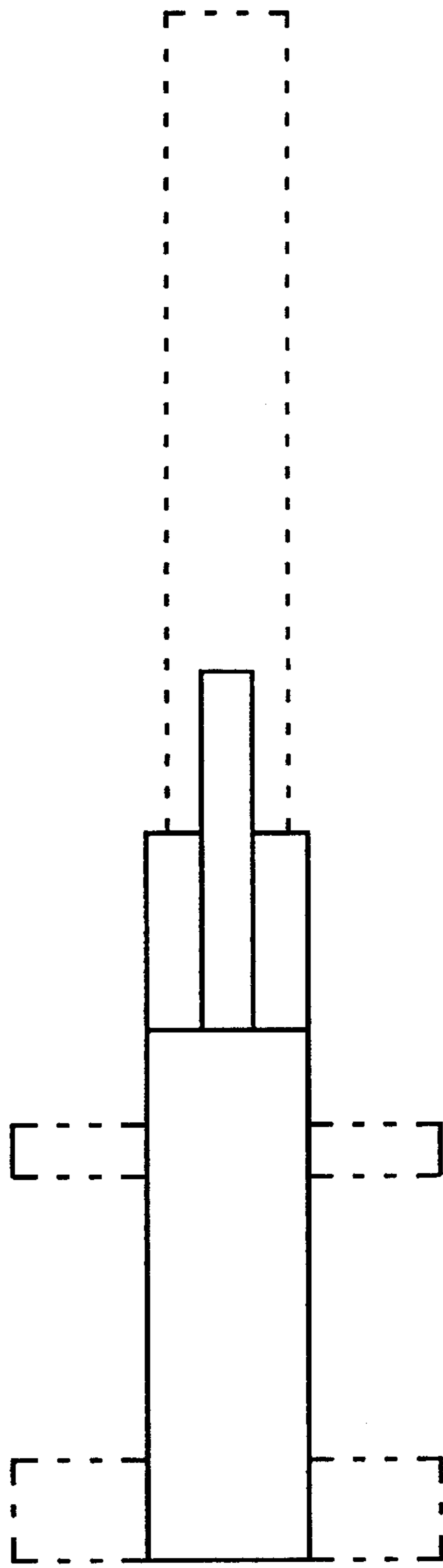


Figure 3

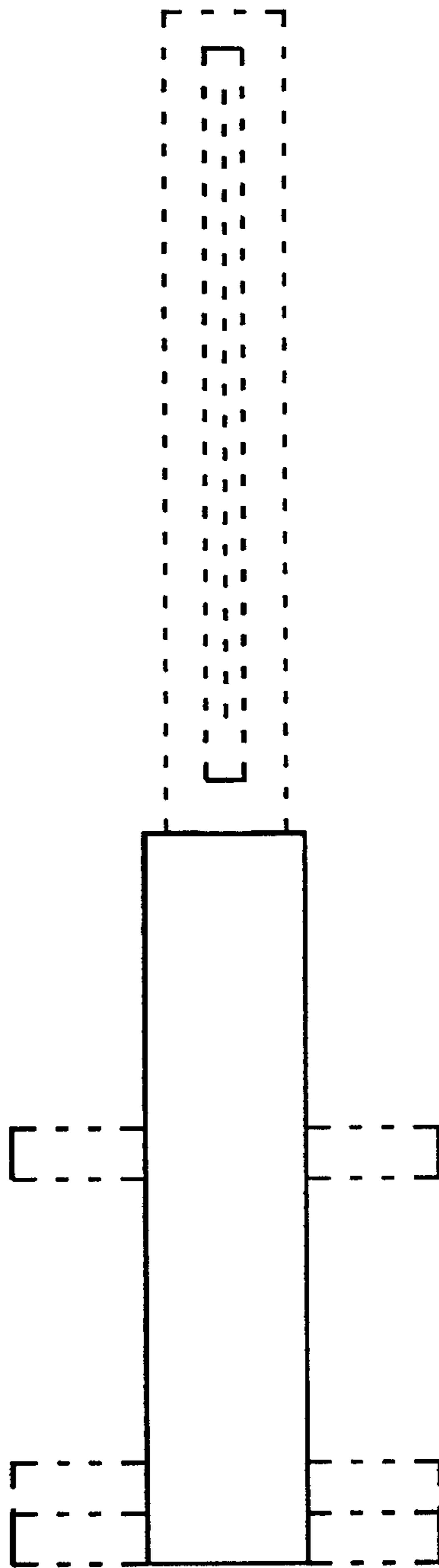


Figure 4

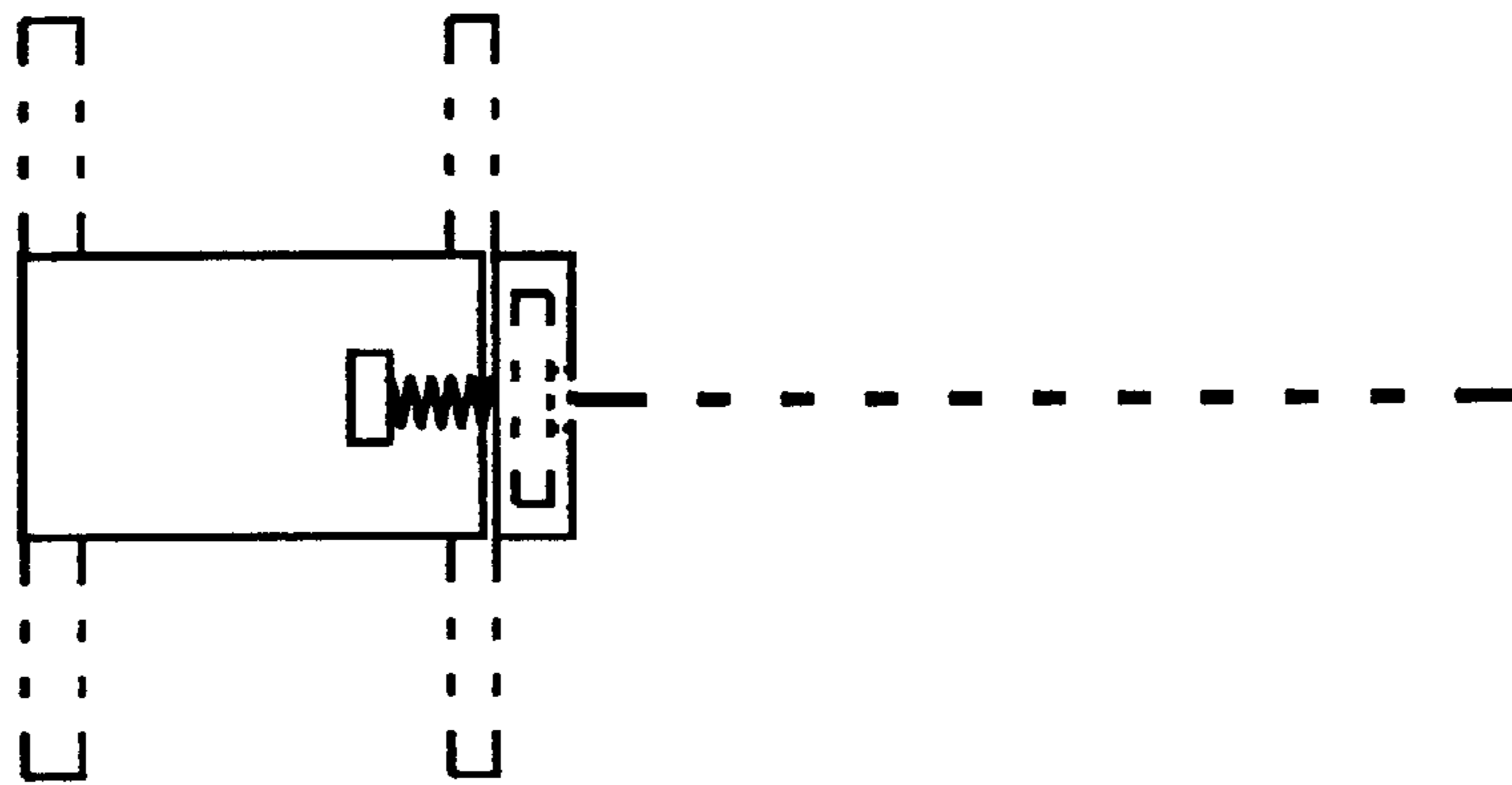


Figure 5