



US00D519356S

(12) **United States Design Patent**
Osiecki et al.

(10) **Patent No.: US D519,356 S**

(45) **Date of Patent: ** Apr. 25, 2006**

(54) **BIOMETRIC LOCK INTERFACE**

6,865,913 B1 * 3/2005 Yamagishi 70/224
6,895,791 B1 * 5/2005 Alexander et al. 70/277

(75) Inventors: **Scott W. Osiecki**, Skaneateles, NY
(US); **Donwoong Kang**, Syracuse, NY
(US)

* cited by examiner

Primary Examiner—Prabhakar Deshmukh

(73) Assignee: **John D. Brush & Co., Inc.**, Rochester,
NY (US)

(74) *Attorney, Agent, or Firm*—Jaekle Fleischmann &
Mugel, LLP

(**) Term: **14 Years**

(57) **CLAIM**

The ornamental design for a biometric lock interface, as
shown and described.

(21) Appl. No.: **29/199,151**

(22) Filed: **Feb. 10, 2004**

DESCRIPTION

(51) **LOC (8) Cl.** **08-07**

(52) **U.S. Cl.** **D8/343; D8/331**

(58) **Field of Classification Search** D8/330,
D8/331, 343, 346, 301; 70/14, 20, 57, 58,
70/22, 158, 266, 277, 286, 291, 294, 448,
70/51, 52, 416, 333 R, 271, 278.1, 280, 279.1
See application file for complete search history.

FIG. 1 is a right side perspective view of our new biometric
lock interface according to the present invention;

FIG. 2 is a left side perspective view of the biometric lock
interface shown in FIG. 1;

FIG. 3 is a front view of the biometric lock interface shown
in FIG. 1;

FIG. 4 is a right elevation view of the biometric lock
interface shown in FIG. 1;

FIG. 5 is a left elevation view of the biometric lock interface
shown in FIG. 1;

FIG. 6 is a bottom view of the biometric lock interface
shown in FIG. 1; and,

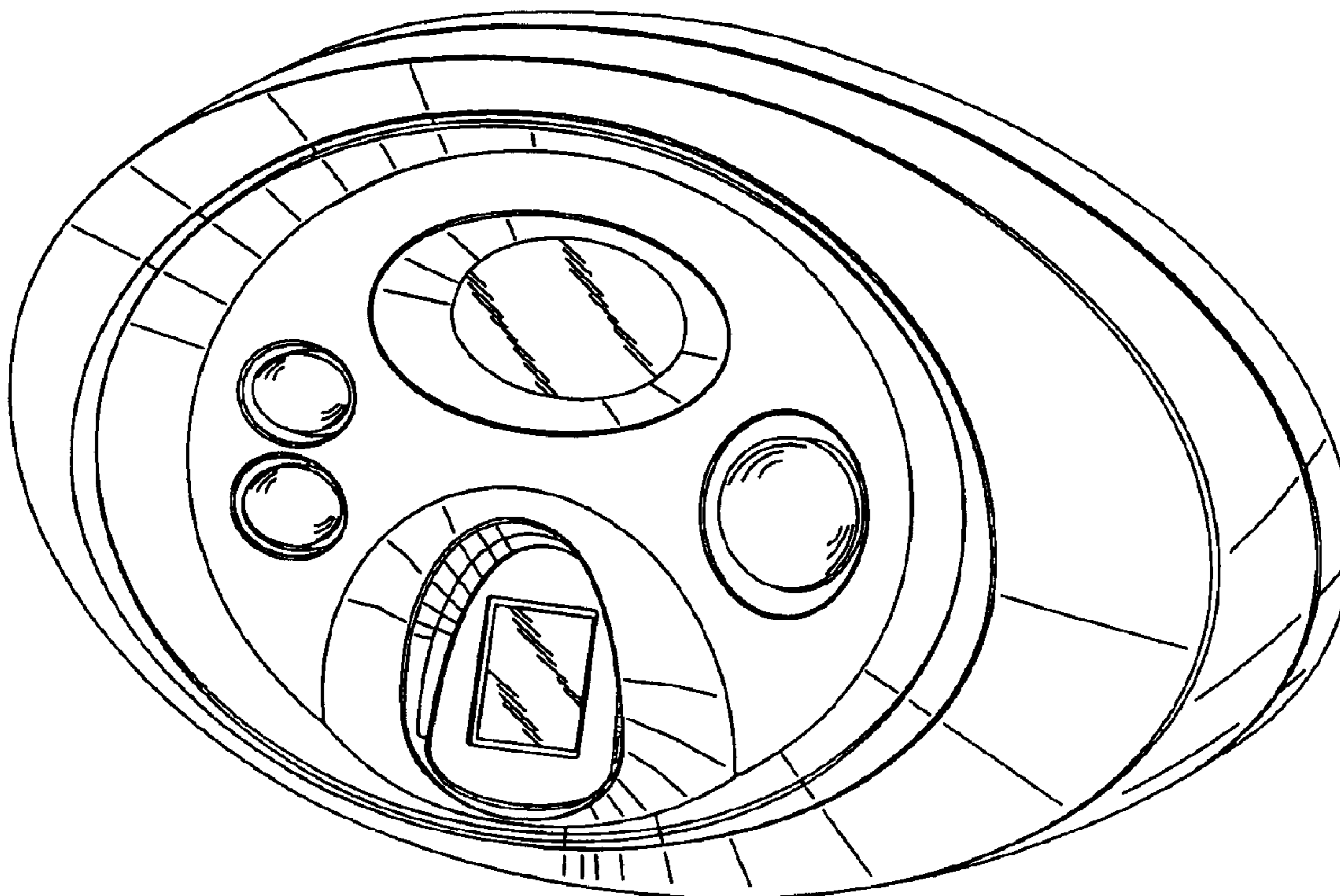
FIG. 7 is a top view of the biometric lock interface shown
in FIG. 1.

(56) **References Cited**

U.S. PATENT DOCUMENTS

5,475,996 A * 12/1995 Chen 70/279.1
D405,345 S * 2/1999 Hankel et al. D8/331
6,016,677 A * 1/2000 Clark 70/416
6,298,699 B1 * 10/2001 Gartner et al. 70/278.1
D484,390 S * 12/2003 Abernethy et al. D8/331
D497,099 S * 10/2004 Fenton D8/331

1 Claim, 3 Drawing Sheets



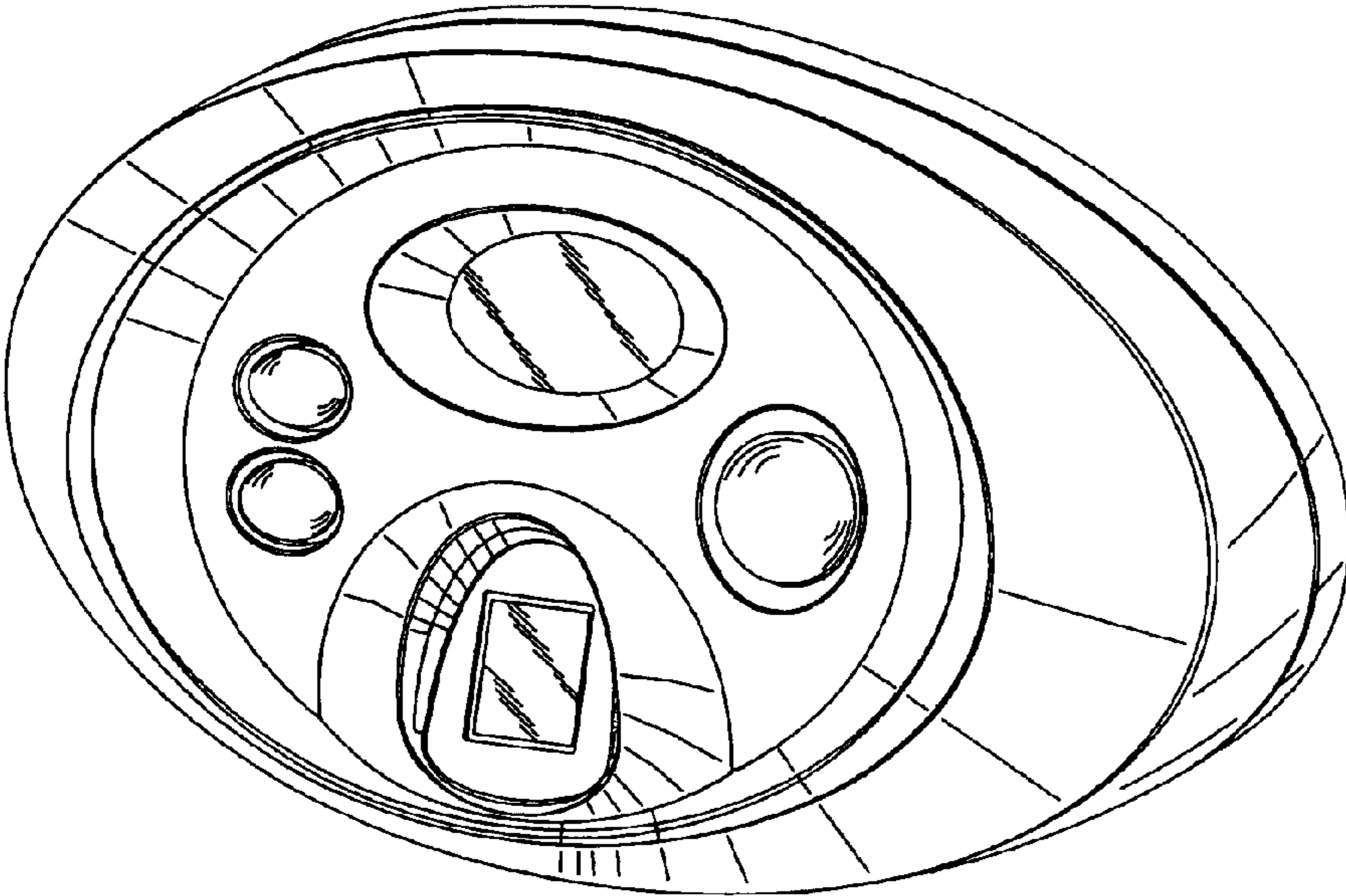


Fig. 1

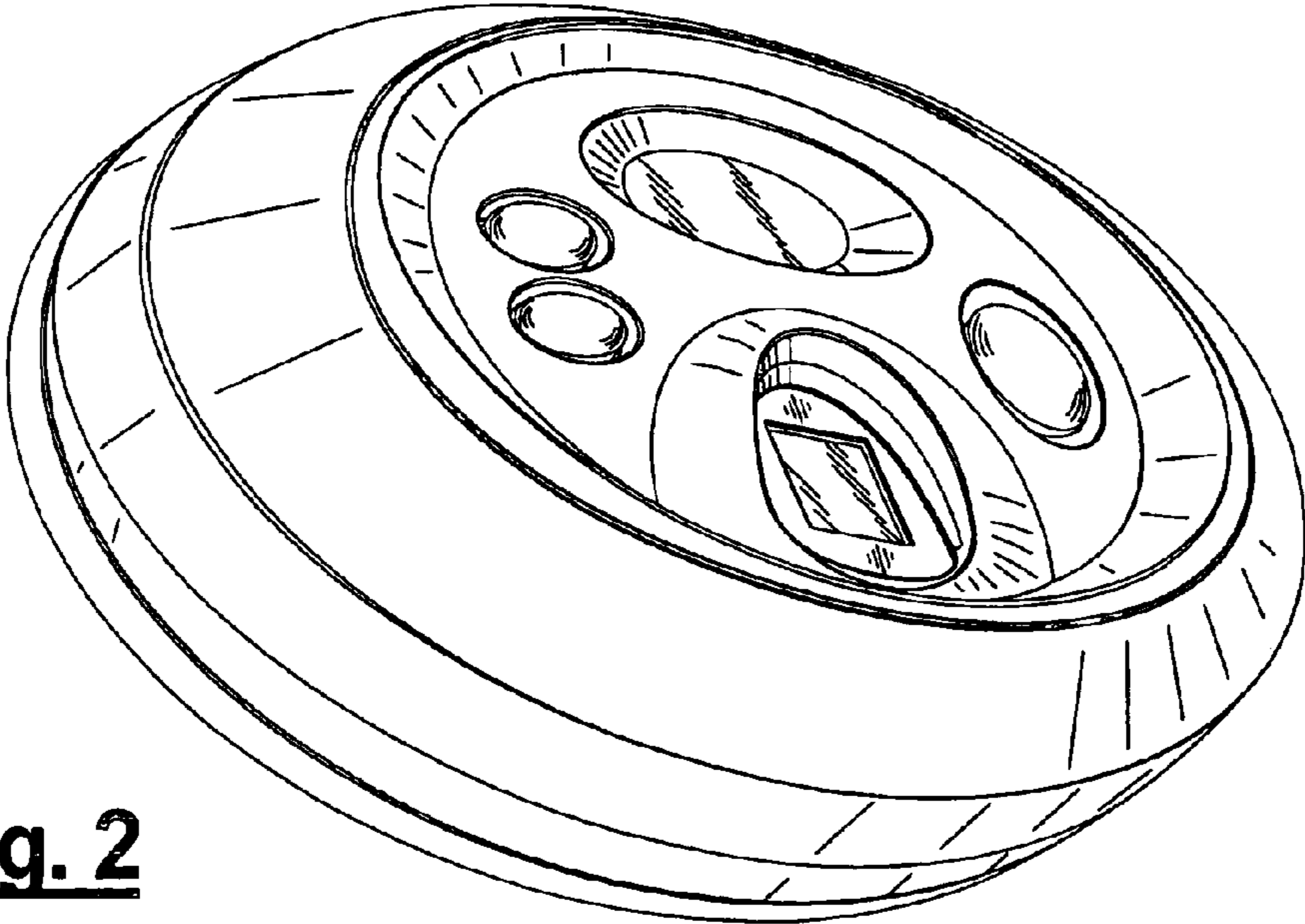


Fig. 2

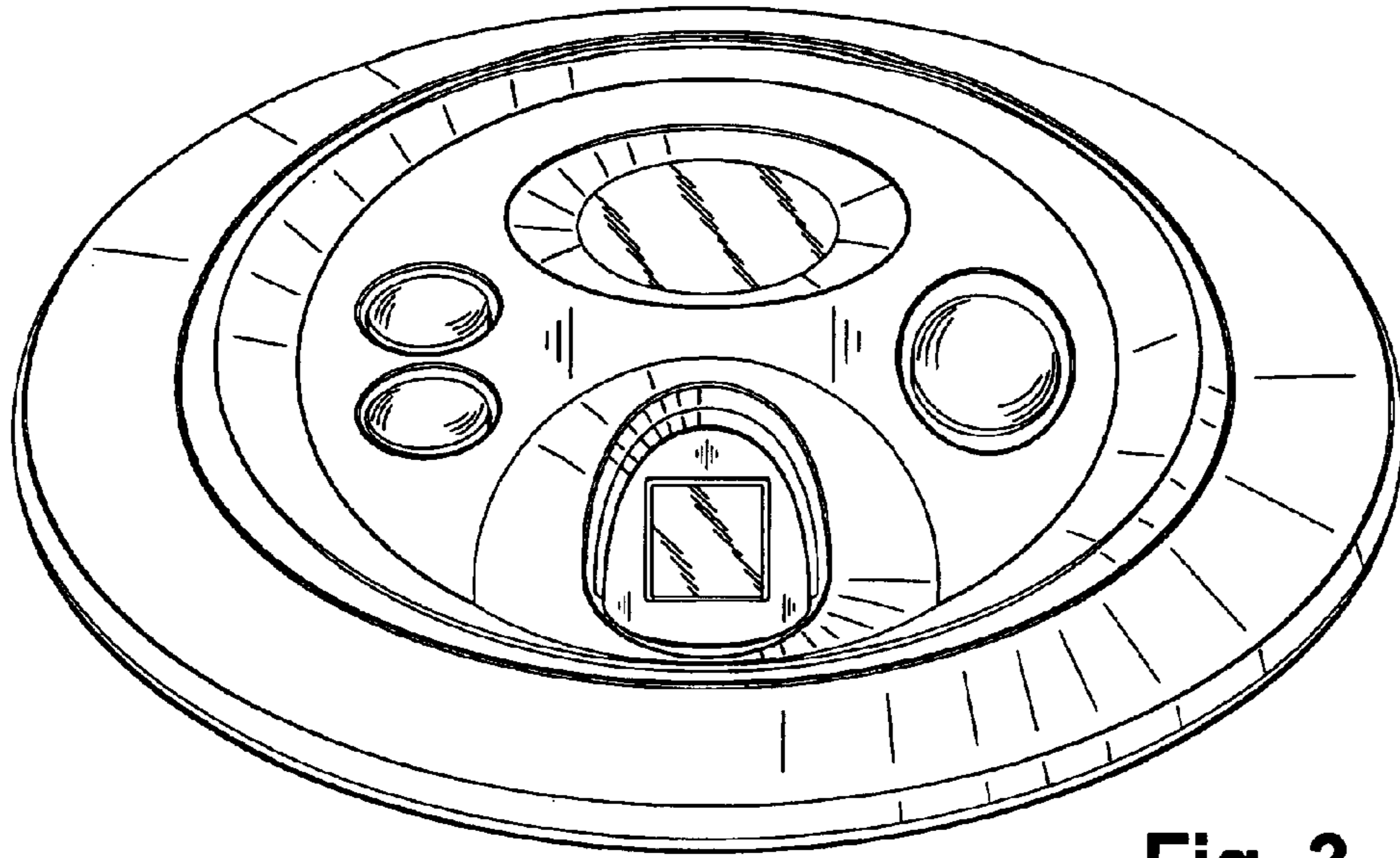


Fig. 3

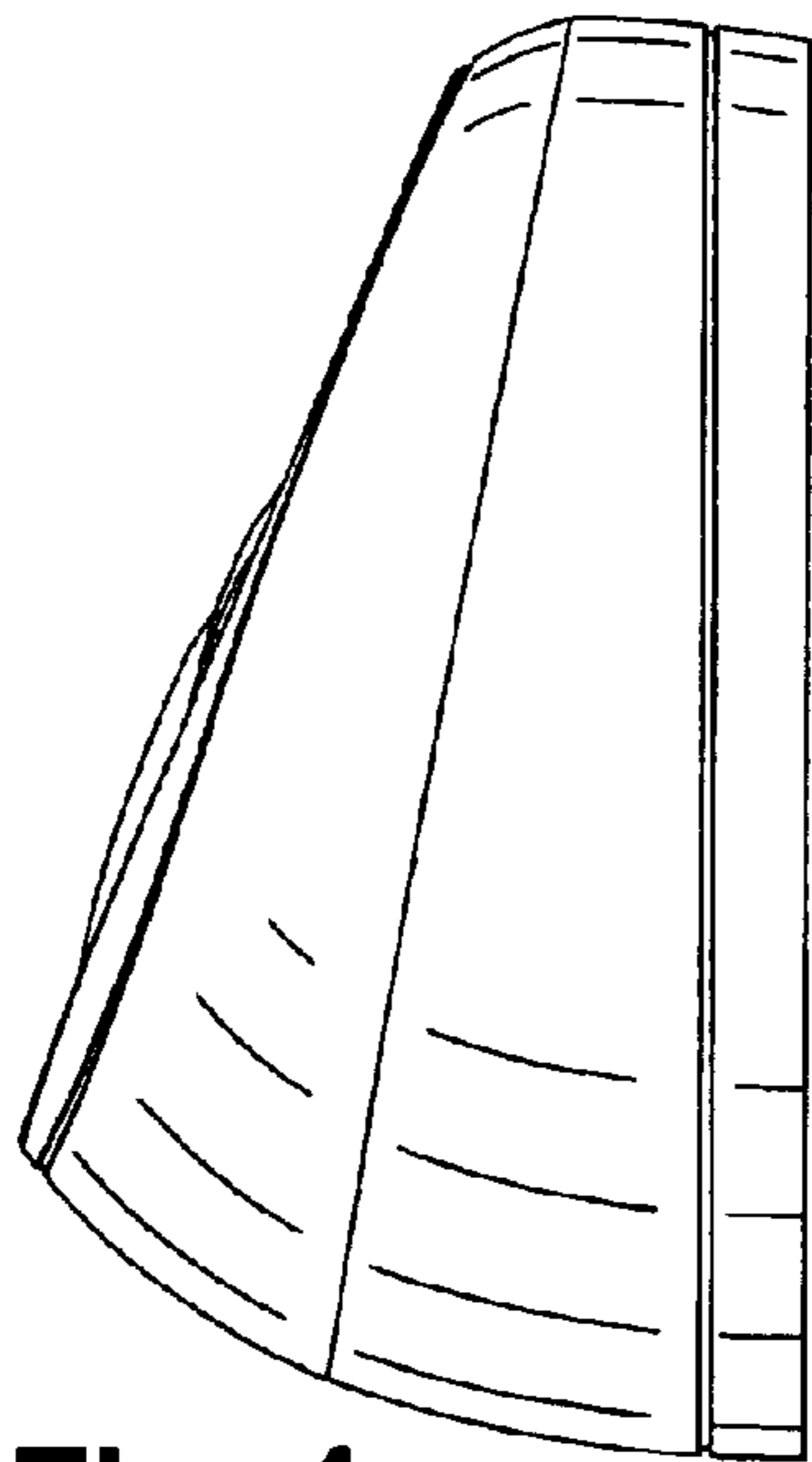


Fig. 4

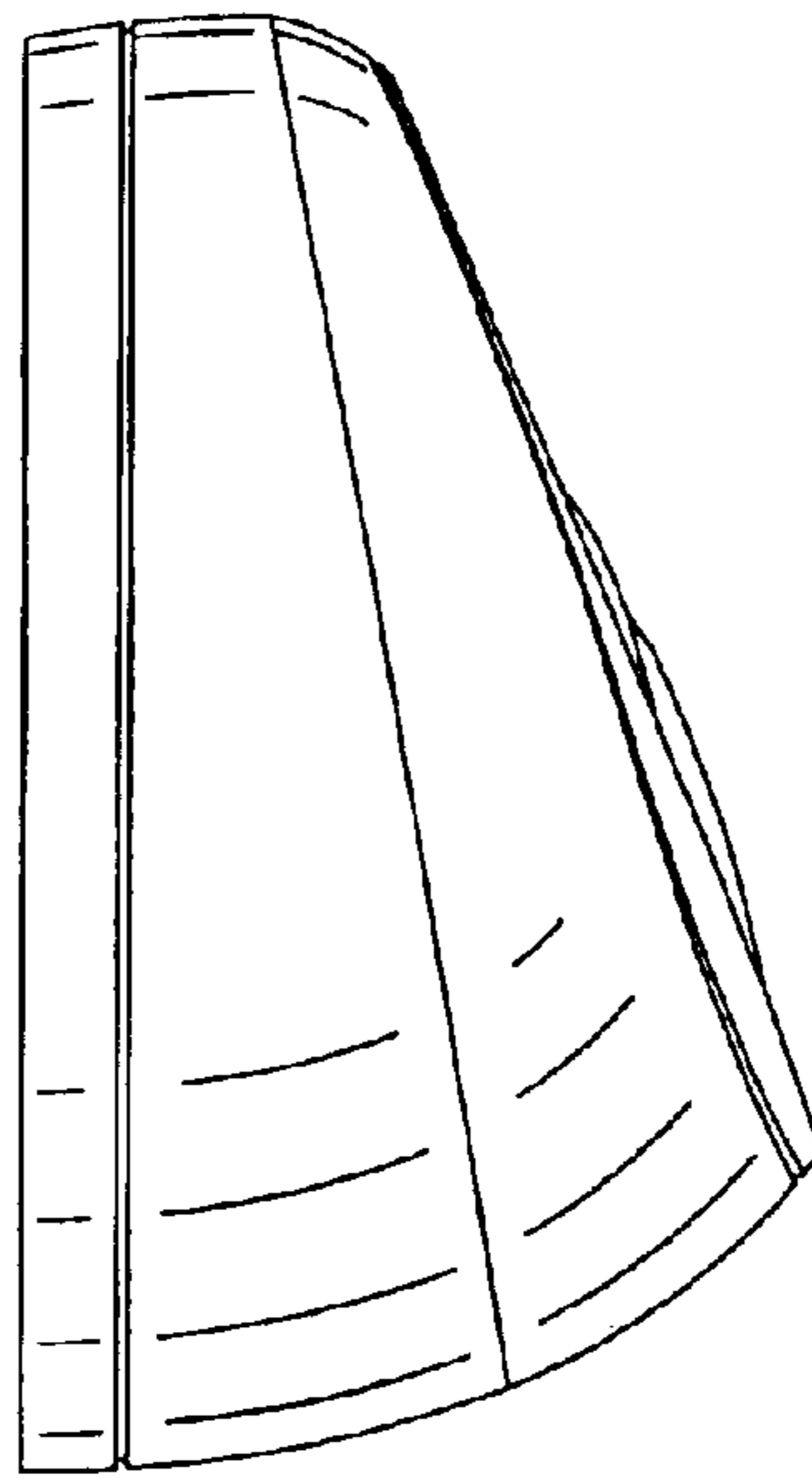


Fig. 5

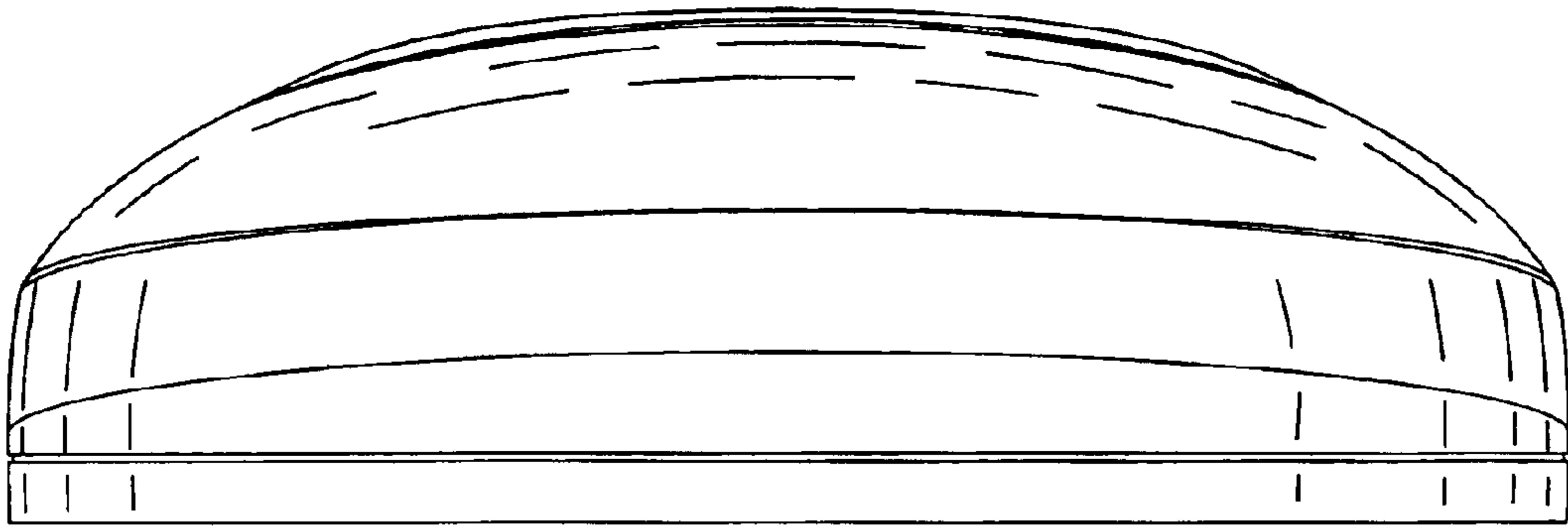


Fig. 6

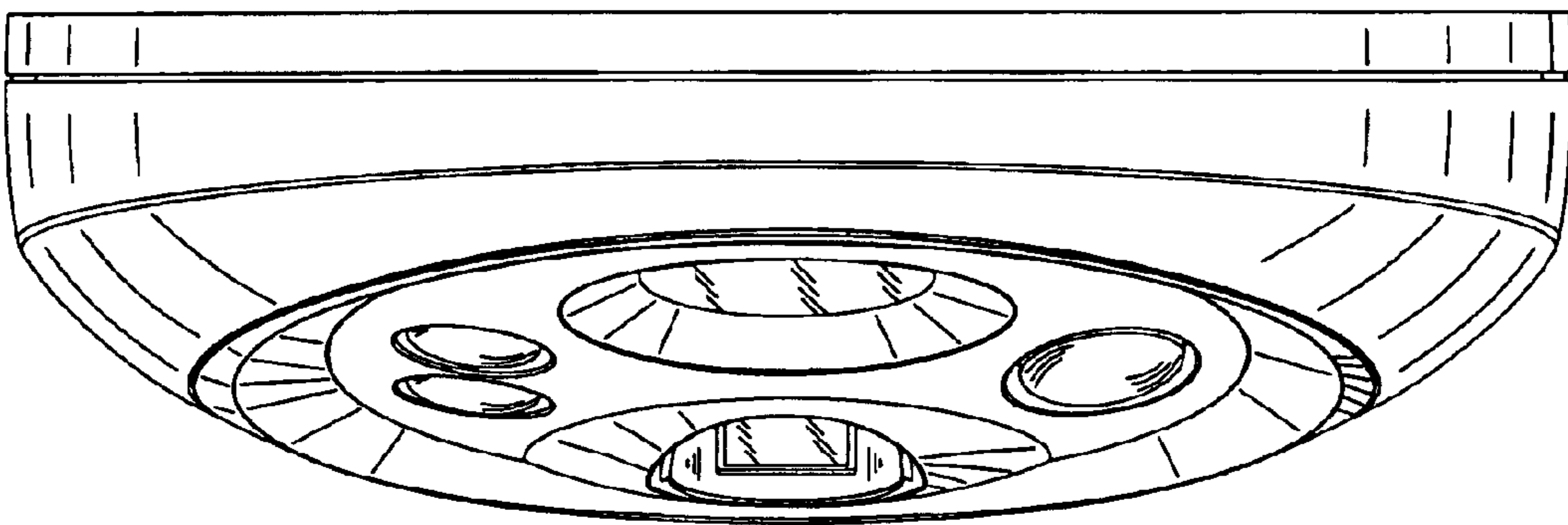


Fig. 7