



US00D519354S

(12) **United States Design Patent**
Hay

(10) **Patent No.:** **US D519,354 S**

(45) **Date of Patent:** **** Apr. 25, 2006**

(54) **VALVE UNIT**

(75) Inventor: **Christopher James Mccaughan Hay,**
Hong Kong (CN)

(73) Assignee: **Hayco Manufacturing Limited,**
Cuaseway (HK)

(**) Term: **14 Years**

(21) Appl. No.: **29/209,166**

(22) Filed: **Jul. 13, 2004**

(51) **LOC (8) Cl.** **08-06**

(52) **U.S. Cl.** **D8/303; D23/236**

(58) **Field of Classification Search** D8/1,
D8/4, 5, 10, 13, 107, 300, 303, 307; D23/235,
D23/236, 249, 233, 262; 137/416, 430, 432,
137/442, 446; D4/199; D32/51; 16/421; 15/143.1
See application file for complete search history.

(56) **References Cited**

U.S. PATENT DOCUMENTS

1,980,655	A	*	11/1934	Balistreri	15/143.1
4,934,024	A	*	6/1990	Sexton, I	16/421
5,472,012	A	*	12/1995	Wood et al.	137/416
D375,036	S	*	10/1996	David et al.	D8/303
D381,887	S	*	8/1997	Chen	D8/303
D411,432	S	*	6/1999	Stahel	D8/303
D416,689	S	*	11/1999	Camp, Jr.	D4/199
D417,905	S	*	12/1999	Kallenbach et al.	D23/235
D421,881	S	*	3/2000	Wen	D8/10
D442,267	S	*	5/2001	Kouda	D23/262

6,523,564 B1 * 2/2003 Phillips 137/430
D500,840 S * 1/2005 Kim D23/236

* cited by examiner

Primary Examiner—Paula A. Greene

(74) *Attorney, Agent, or Firm*—Buchanan Ingersoll PC

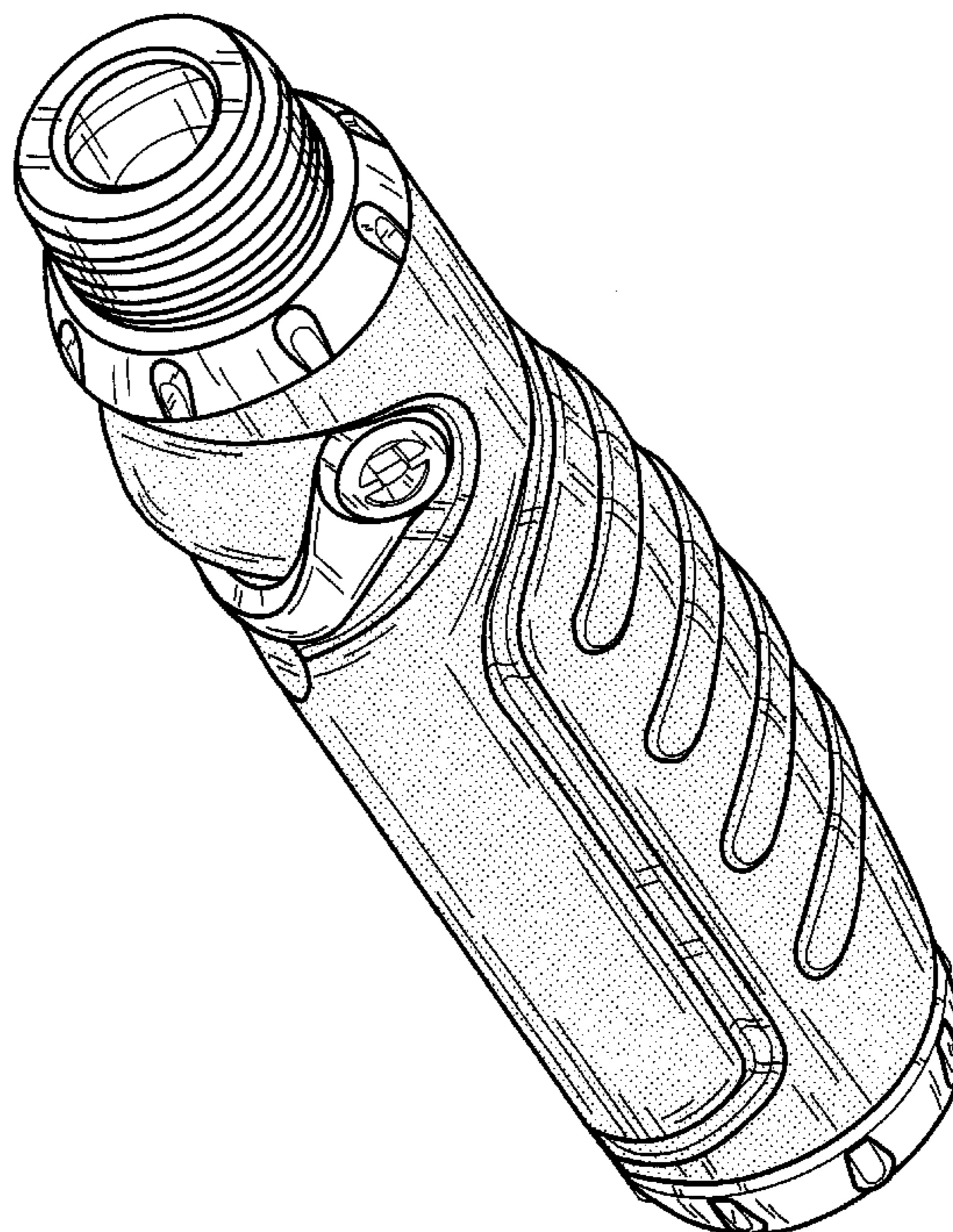
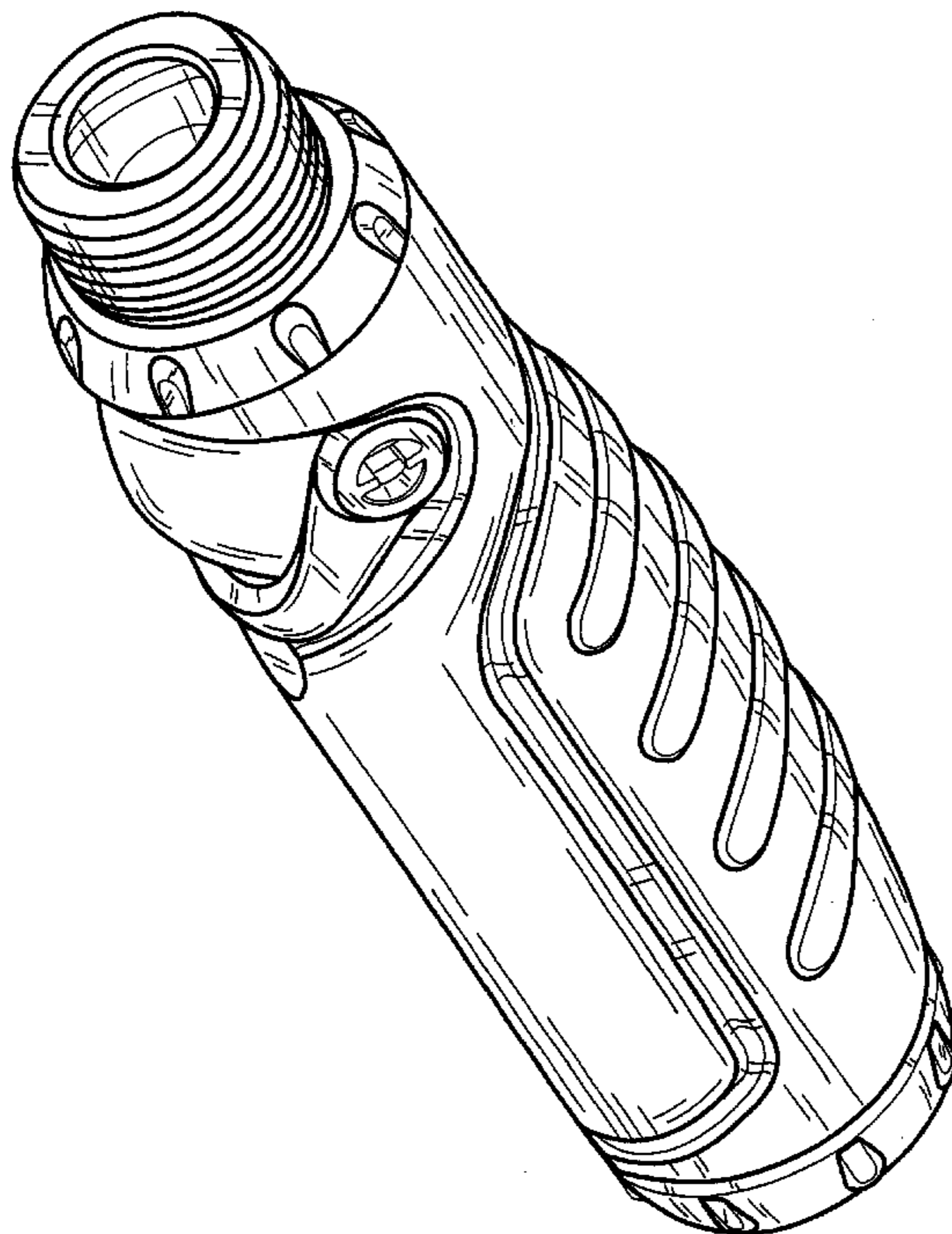
(57) **CLAIM**

The ornamental design for “valve unit,” as shown and described.

DESCRIPTION

FIG. 1 is a perspective view of a first embodiment of a valve unit showing my new design;
 FIG. 2 is a top view thereof;
 FIG. 3 is a bottom view thereof;
 FIG. 4 is a side view thereof;
 FIG. 5 is another side view thereof;
 FIG. 6 is a front view thereof;
 FIG. 7 is a rear view thereof;
 FIG. 8 is a perspective view of a second embodiment of a valve unit showing my new design, the only difference being the surface pattern;
 FIG. 9 is a top view of the valve unit shown in FIG. 8;
 FIG. 10 is a bottom view of the valve unit shown in FIG. 8;
 FIG. 11 is a side view of the valve unit shown in FIG. 8;
 FIG. 12 is another side view of the valve unit shown in FIG. 8;
 FIG. 13 is a front view of the valve unit shown in FIG. 8;
 and,
 FIG. 14 is a rear view of the valve unit shown in FIG. 8.

1 Claim, 14 Drawing Sheets



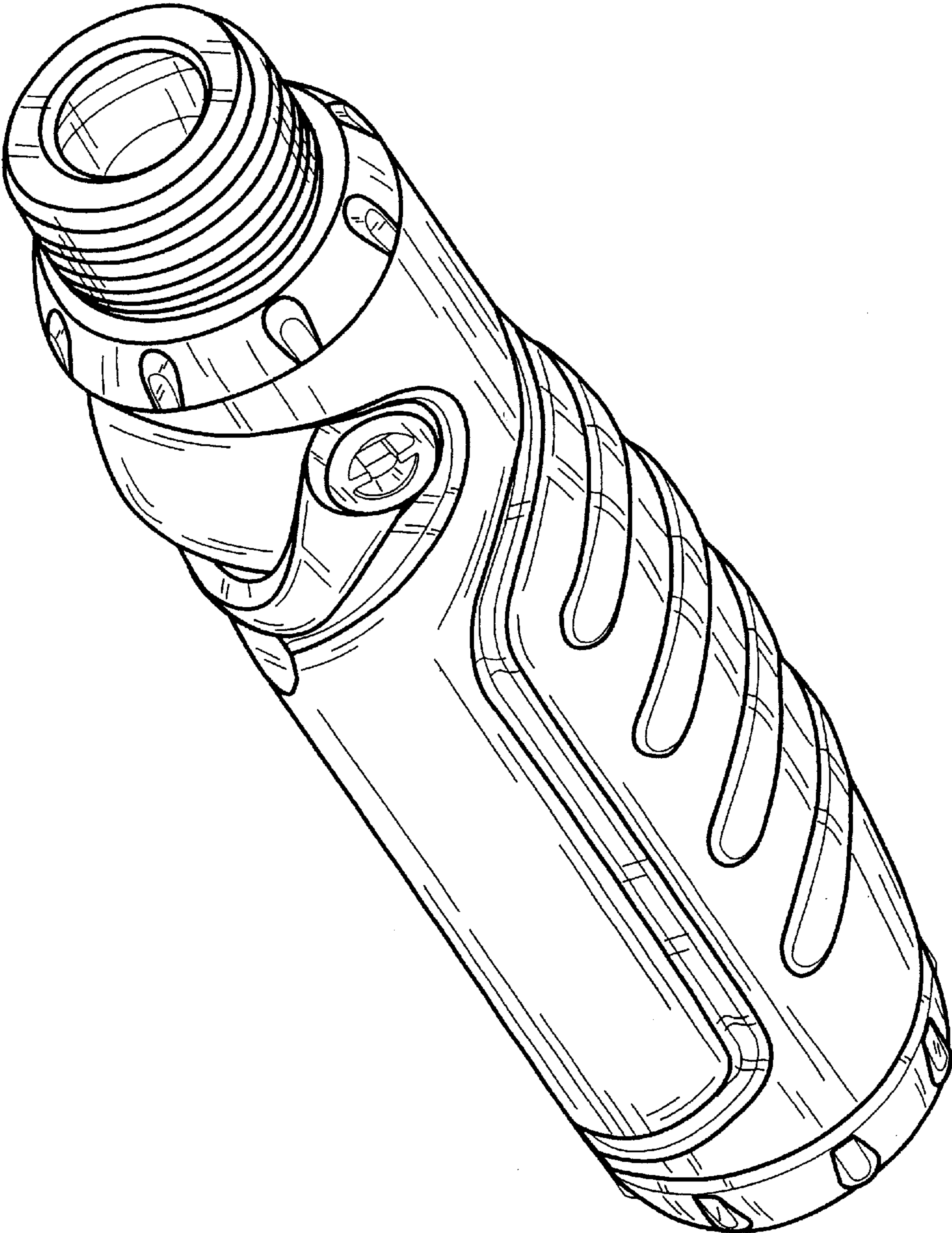


FIG. 1

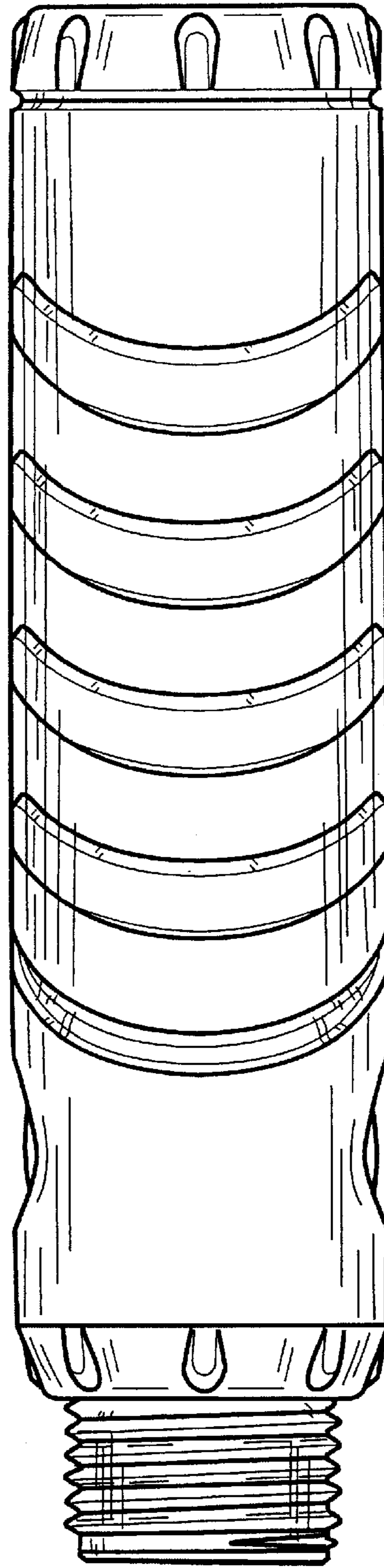


FIG. 2

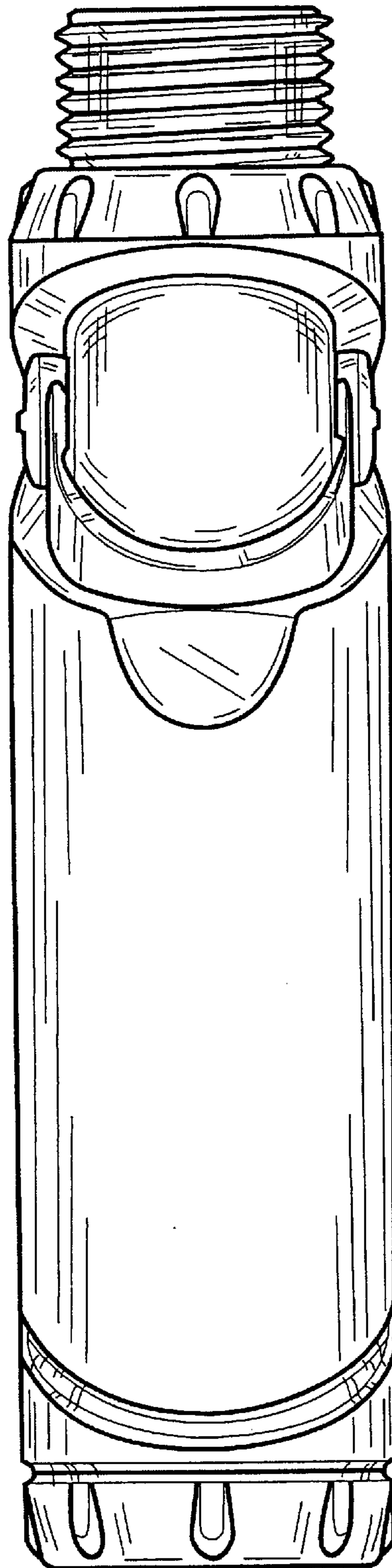


FIG. 3

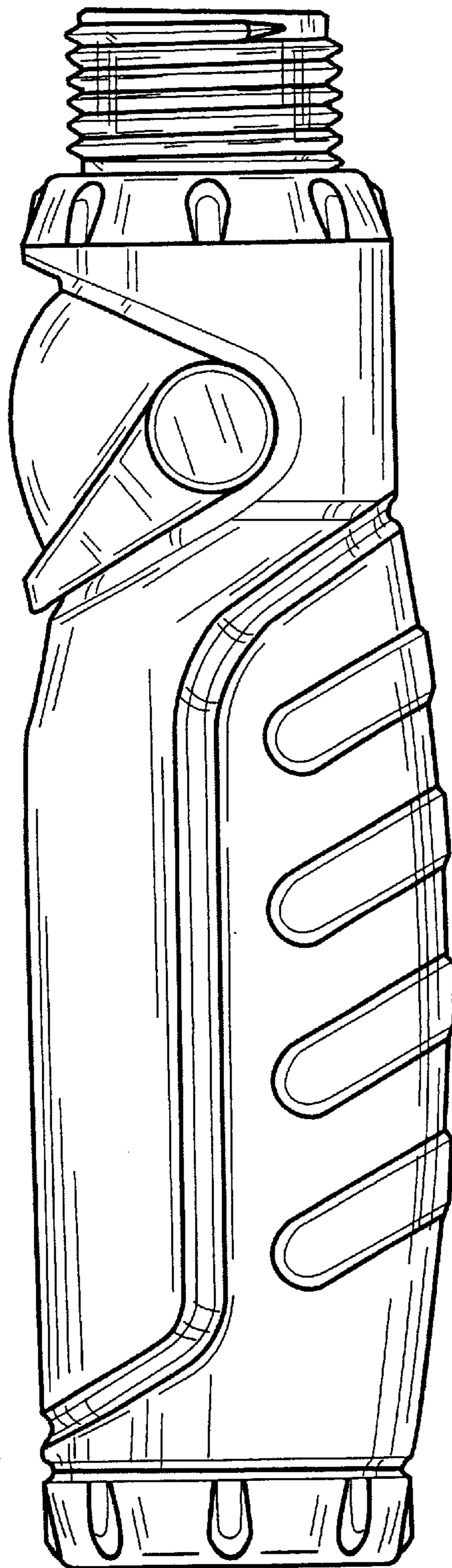


FIG. 4

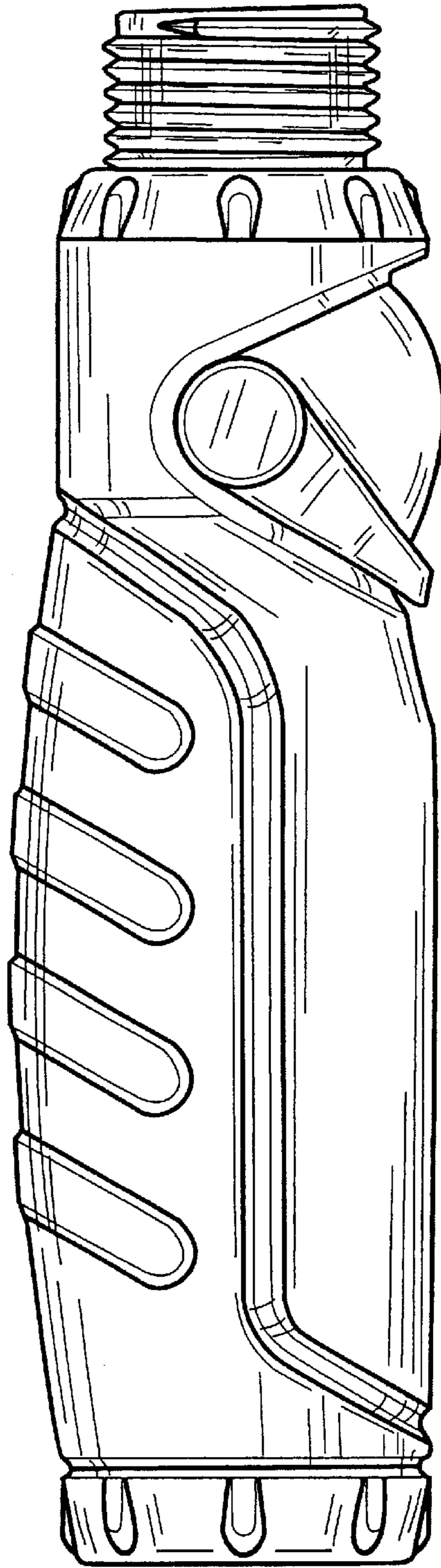


FIG. 5

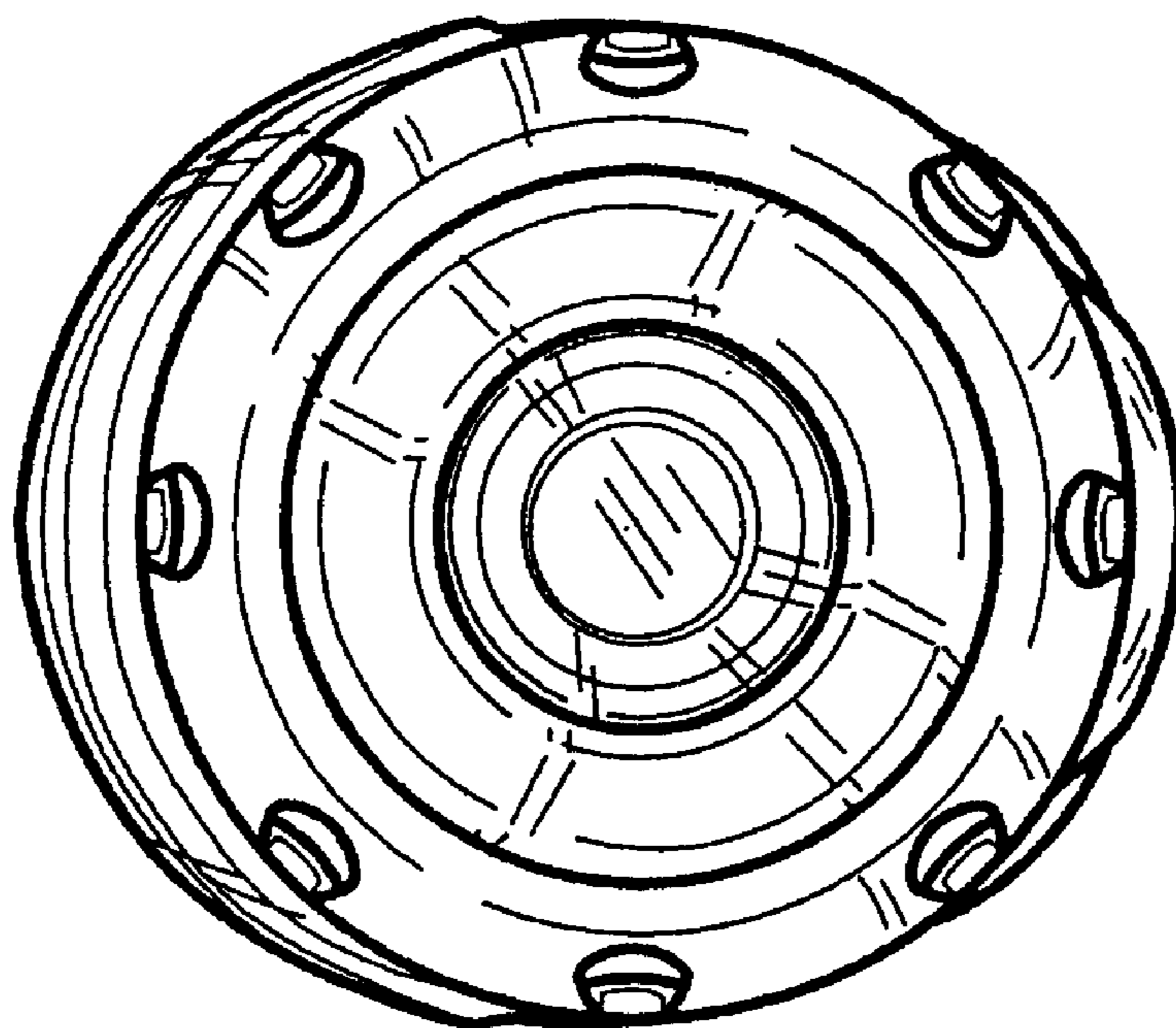


FIG. 6

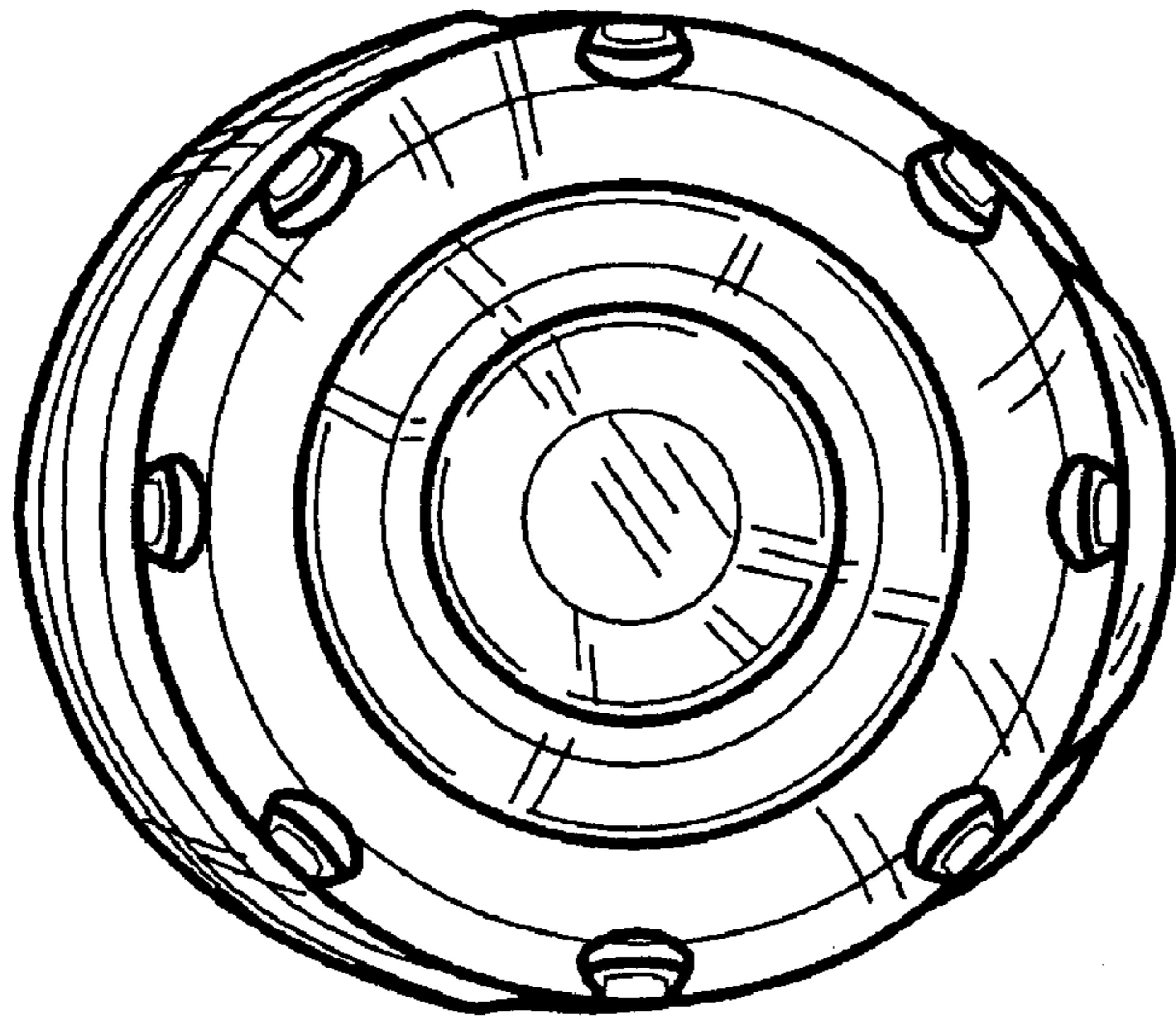


FIG. 7

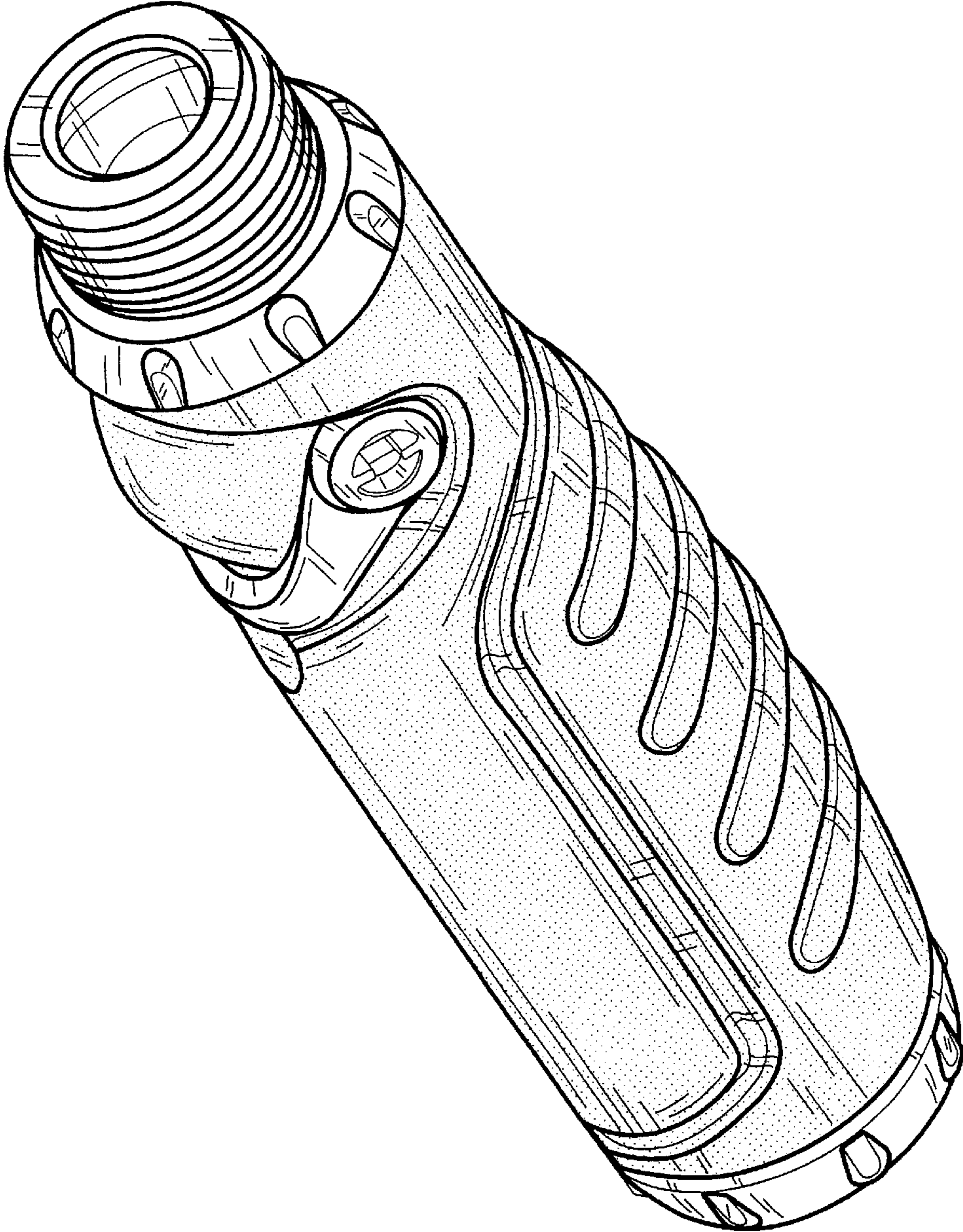


FIG. 8

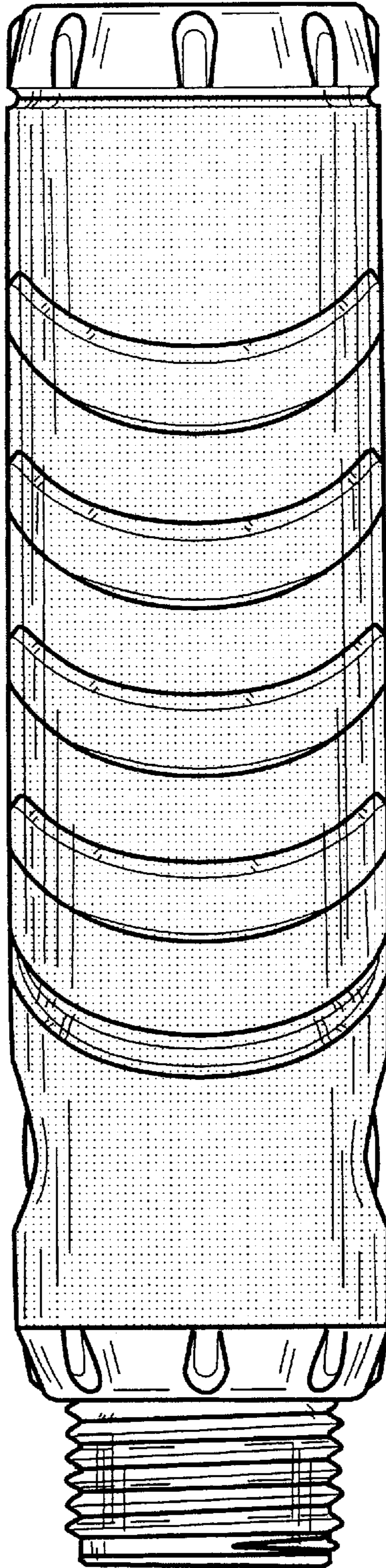


FIG. 9

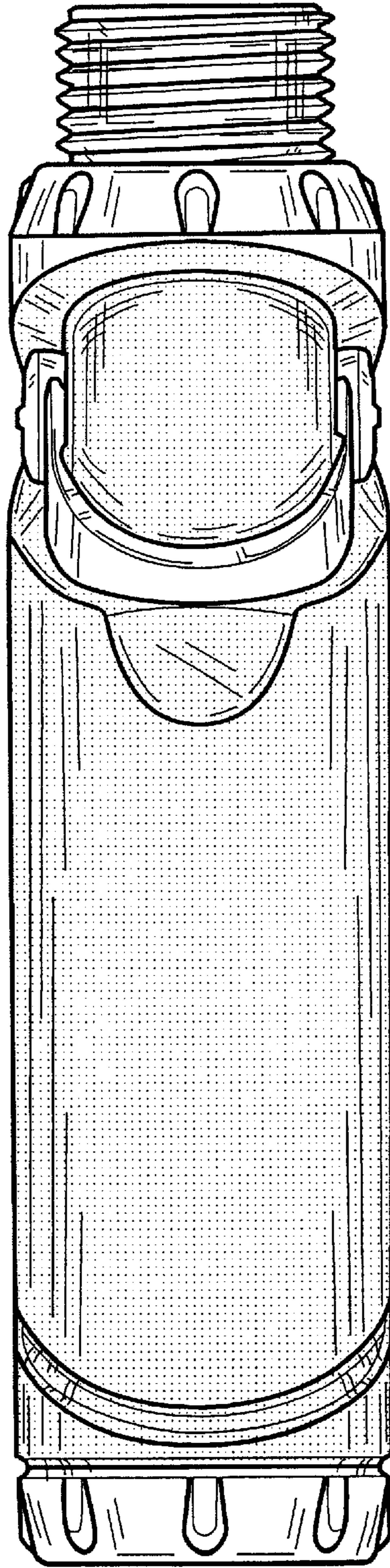


FIG. 10

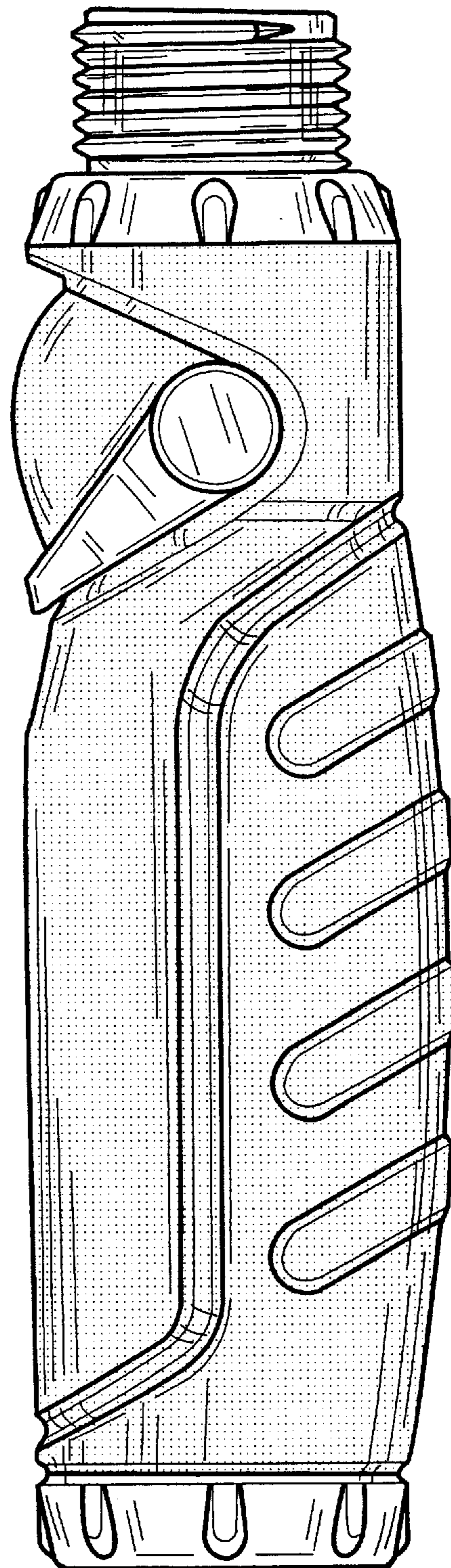


FIG. 11

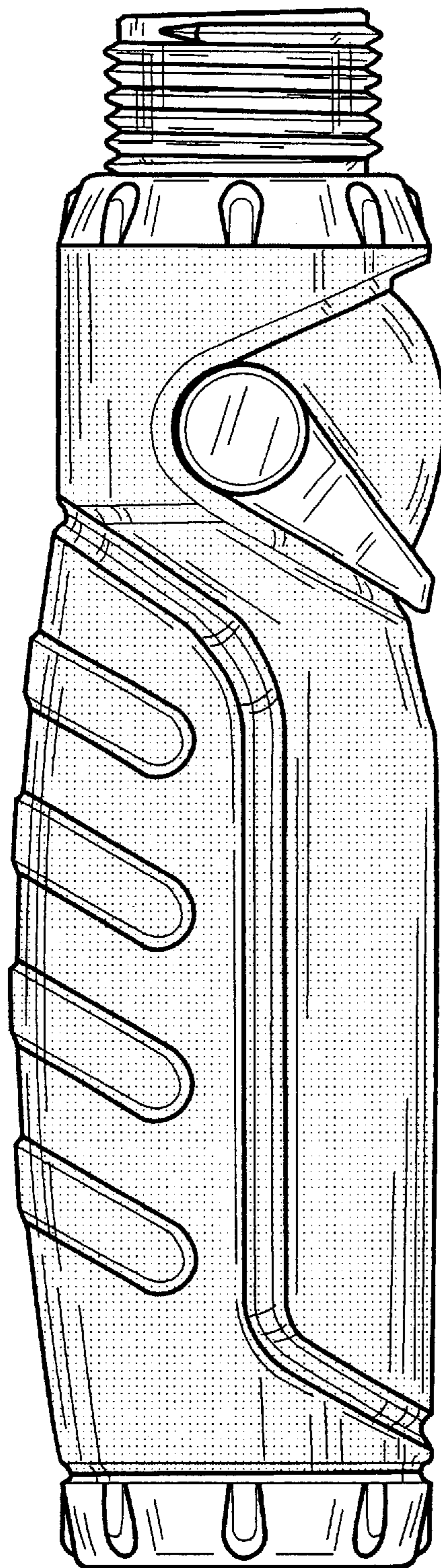


FIG. 12

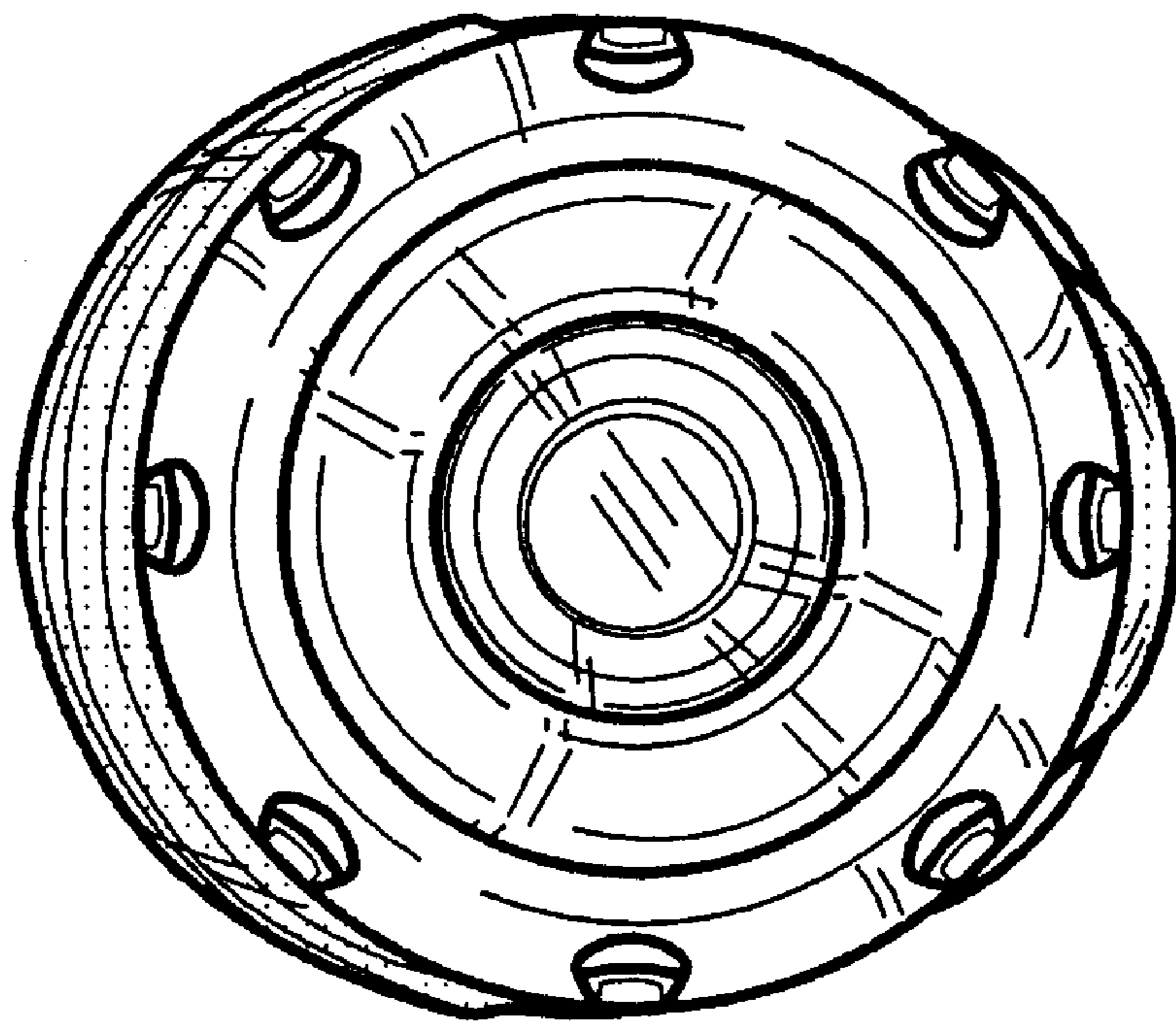


FIG. 13

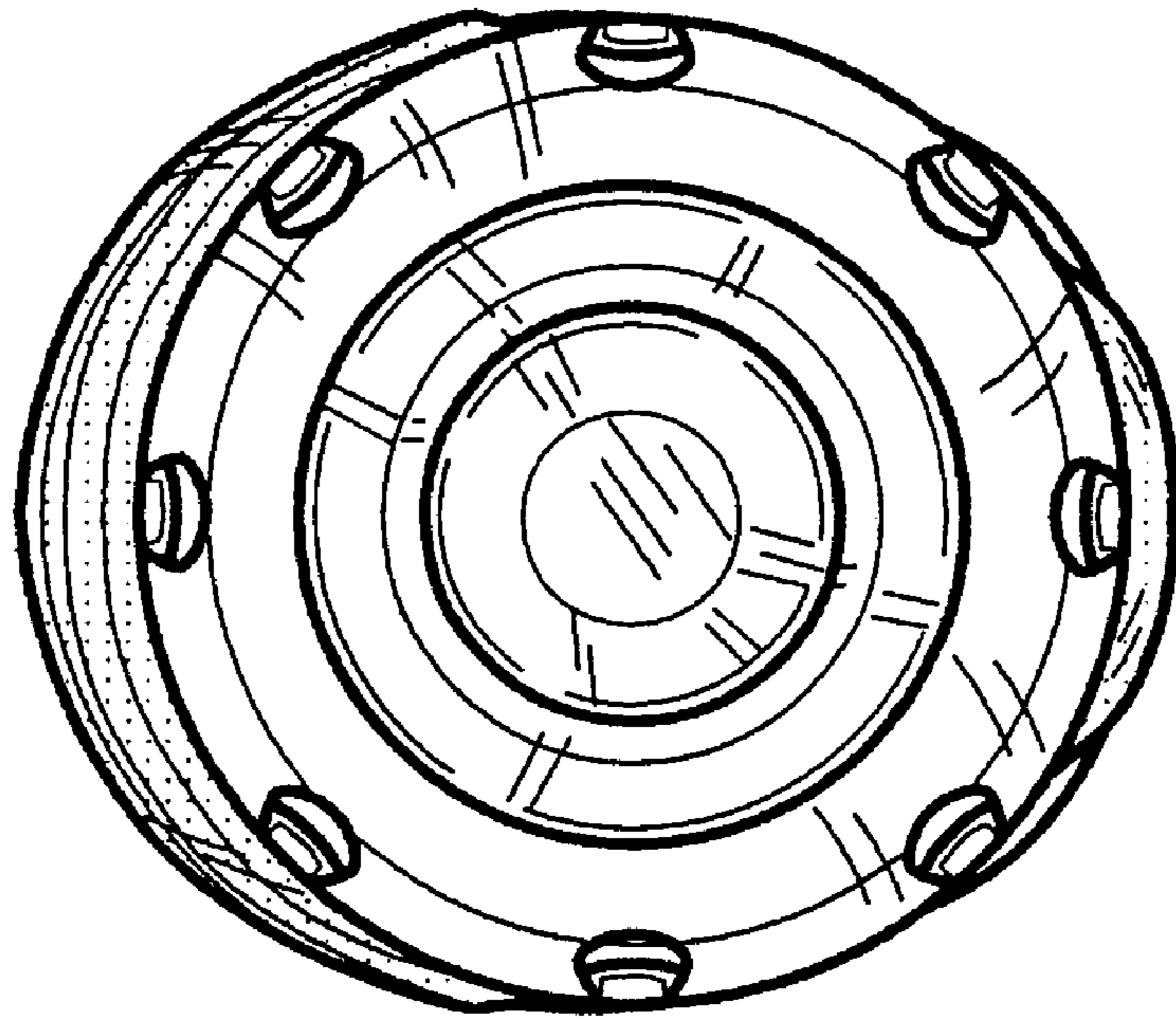


FIG. 14