

US00D519347S

(12) **United States Design Patent**  
**Birollo**

(10) **Patent No.:** **US D519,347 S**

(45) **Date of Patent:** **\*\* Apr. 25, 2006**

(54) **WELDING MACHINE**

(75) Inventor: **Mirco Birollo**, Romano d'Ezzelino (IT)

(73) Assignee: **Selco S.R.L.**, Tombolo (IT)

(\*\*) Term: **14 Years**

(21) Appl. No.: **29/228,315**

(22) Filed: **Apr. 22, 2005**

(30) **Foreign Application Priority Data**

Oct. 28, 2004 (EP) ..... 247044

(51) **LOC (8) Cl.** ..... **08-05**

(52) **U.S. Cl.** ..... **D8/69**

(58) **Field of Classification Search** ..... D8/30,  
D8/61, 62, 63, 64, 65, 66, 67, 68, 69, 70;  
81/57.11, 429, 464, 465, 466, 469, 489; 173/13,  
173/169, 178, 213, 217; 227/8, 114, 120,  
227/130, 136, 142; 310/50; 408/20, 124,  
408/125, 234, 241 R; 451/358; 219/98

See application file for complete search history.

(56) **References Cited**

**U.S. PATENT DOCUMENTS**

D175,326 S \* 8/1955 Swanson ..... D8/69  
D204,914 S \* 5/1966 Kersten ..... D8/30  
D205,862 S \* 9/1966 Doherty ..... D8/69  
D243,742 S \* 3/1977 House et al. .... D8/69

D299,208 S \* 1/1989 Arehart ..... D8/30  
D303,070 S \* 8/1989 Hinden et al. .... D8/68  
D310,771 S \* 9/1990 Ewig ..... D8/69  
D329,179 S \* 9/1992 Kensrue ..... D8/30  
D334,876 S \* 4/1993 Swetish ..... D8/69  
D365,974 S \* 1/1996 Matuschek ..... D8/69  
D420,878 S \* 2/2000 Li ..... D8/69  
6,098,801 A \* 8/2000 McCardle et al. .... 219/98  
2003/0183049 A1 \* 10/2003 Bader et al. .... 81/489  
2004/0245222 A1 \* 12/2004 Gobel et al. .... 219/98

\* cited by examiner

*Primary Examiner*—Gary D. Watson

*Assistant Examiner*—T. Chase Nelson

(74) *Attorney, Agent, or Firm*—Albert Josif; Daniel O'Byrne

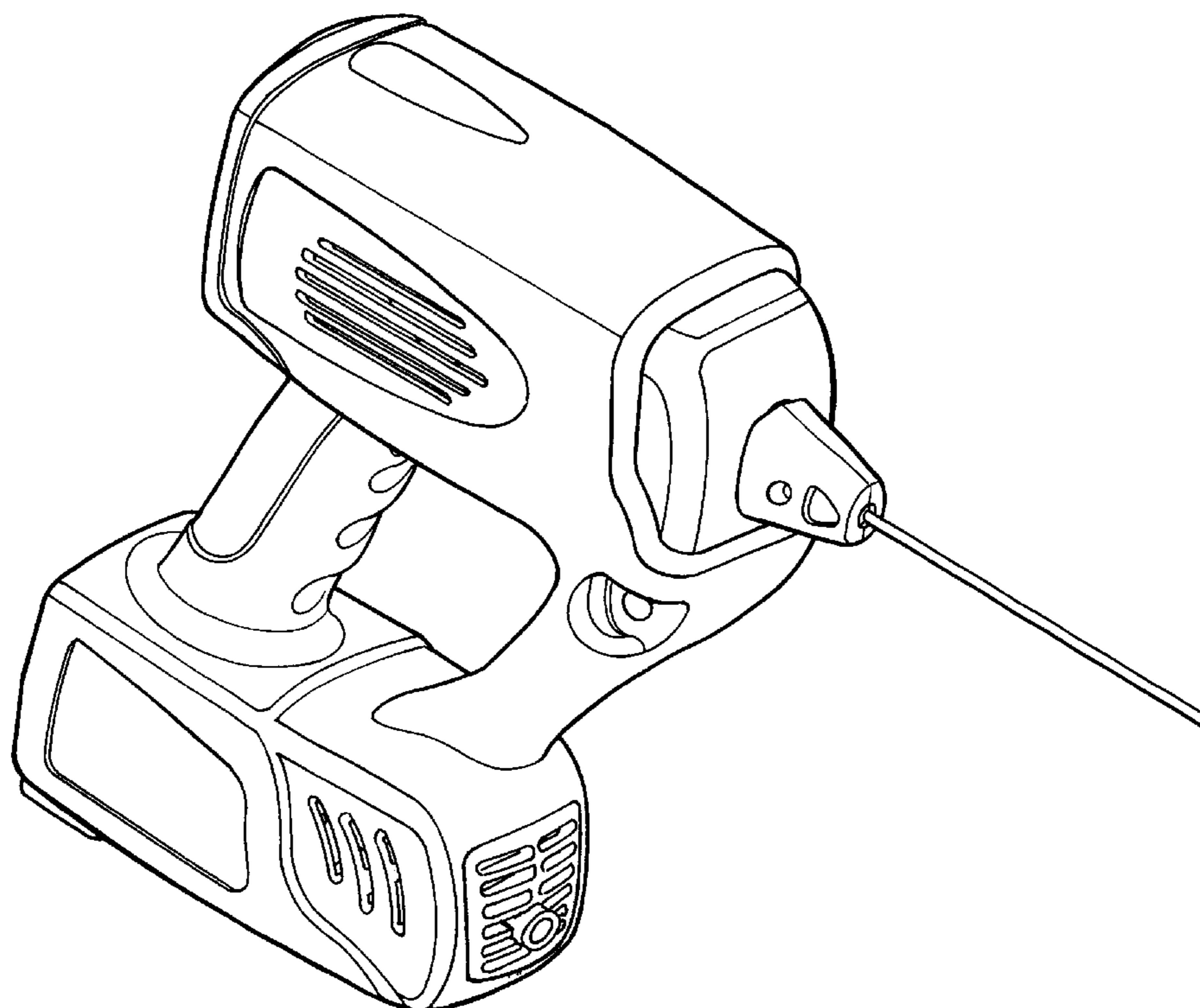
(57) **CLAIM**

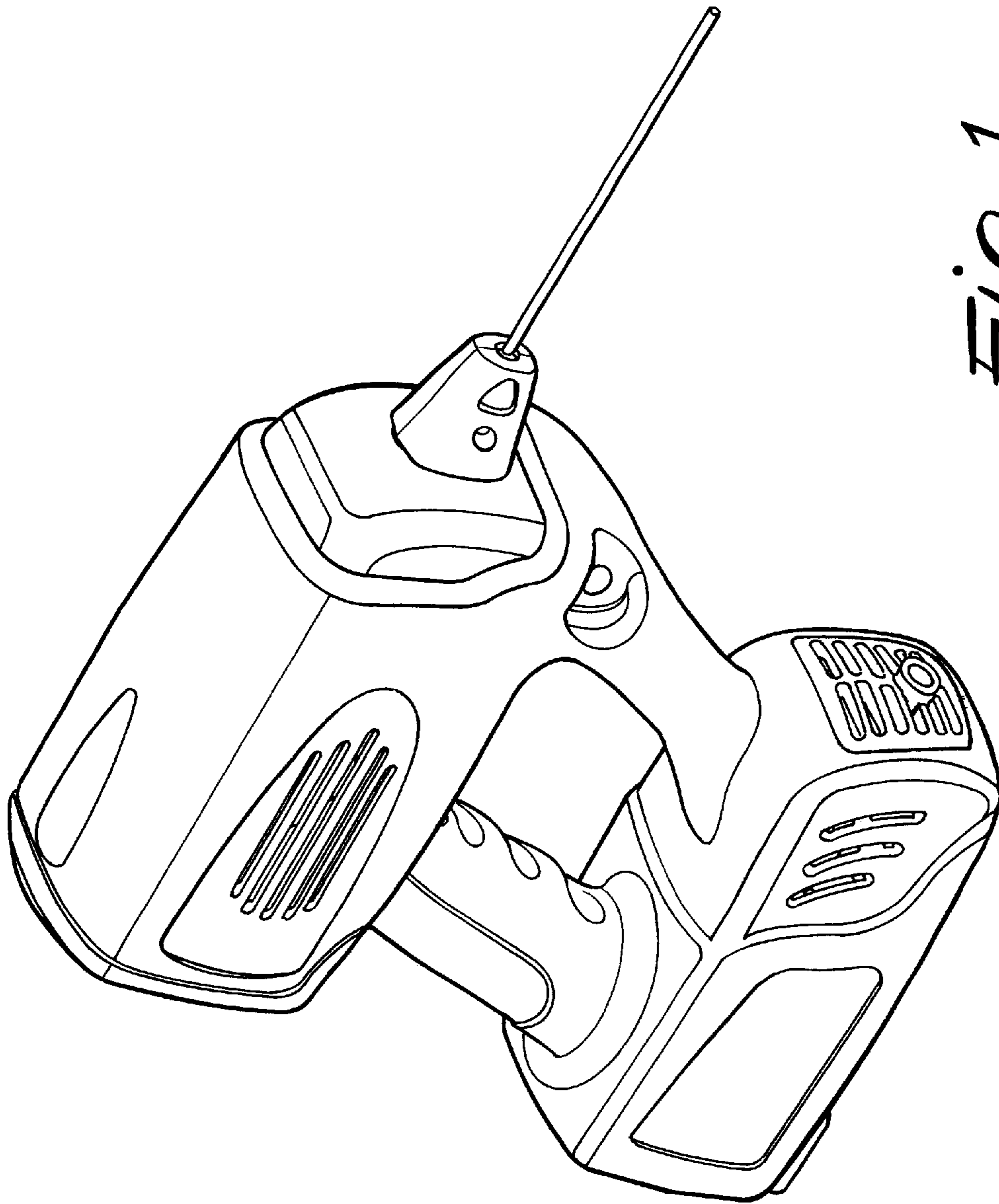
The ornamental design for “welding machine”, as shown and described.

**DESCRIPTION**

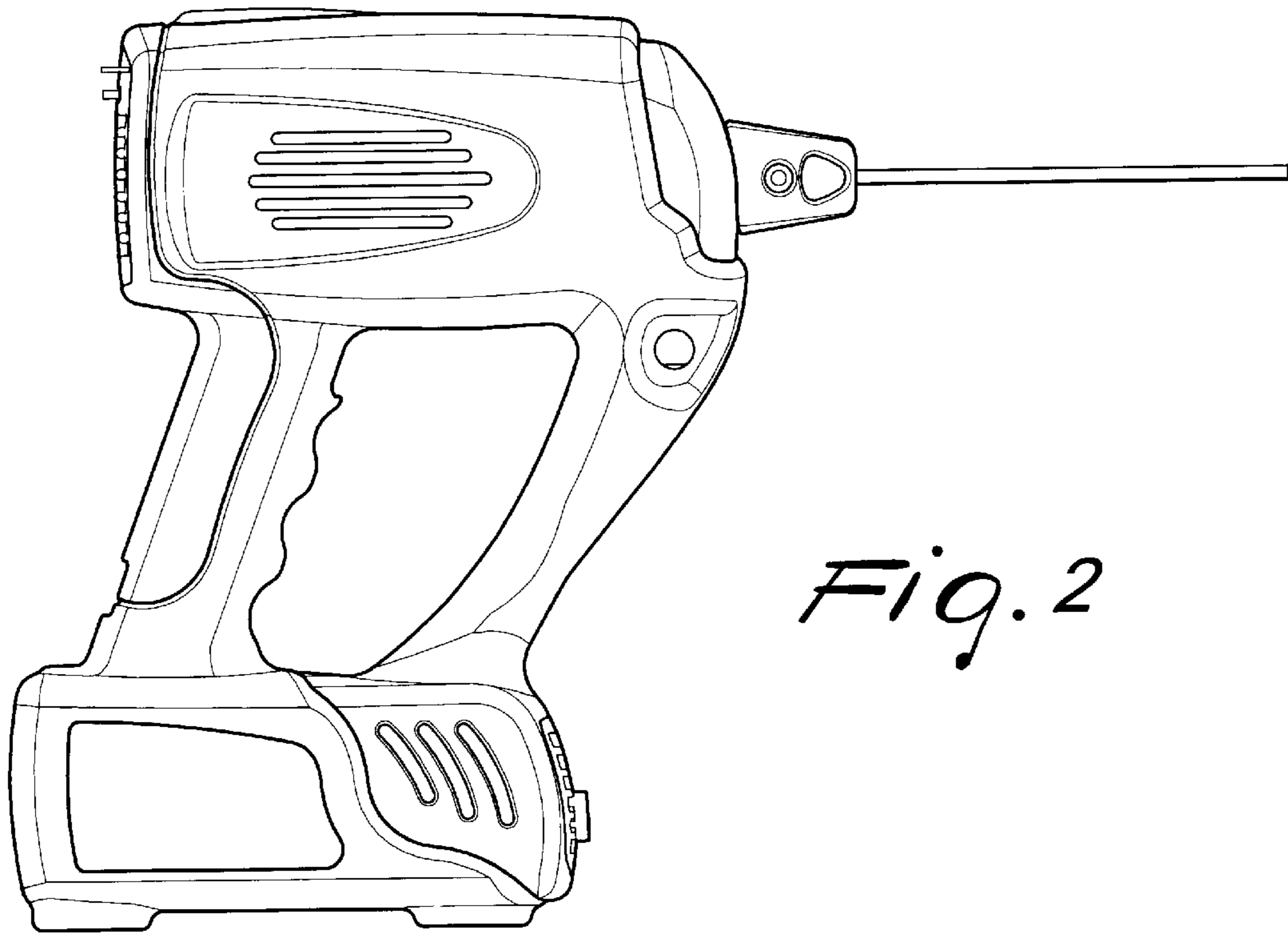
FIG. 1 is a perspective view, showing my new design;  
FIG. 2 is a left side view thereof;  
FIG. 3 is a right side view thereof;  
FIG. 4 is a front view thereof;  
FIG. 5 is a rear view thereof;  
FIG. 6 is a plan view from above thereof; and,  
FIG. 7 is a plan view from below thereof.

**1 Claim, 4 Drawing Sheets**

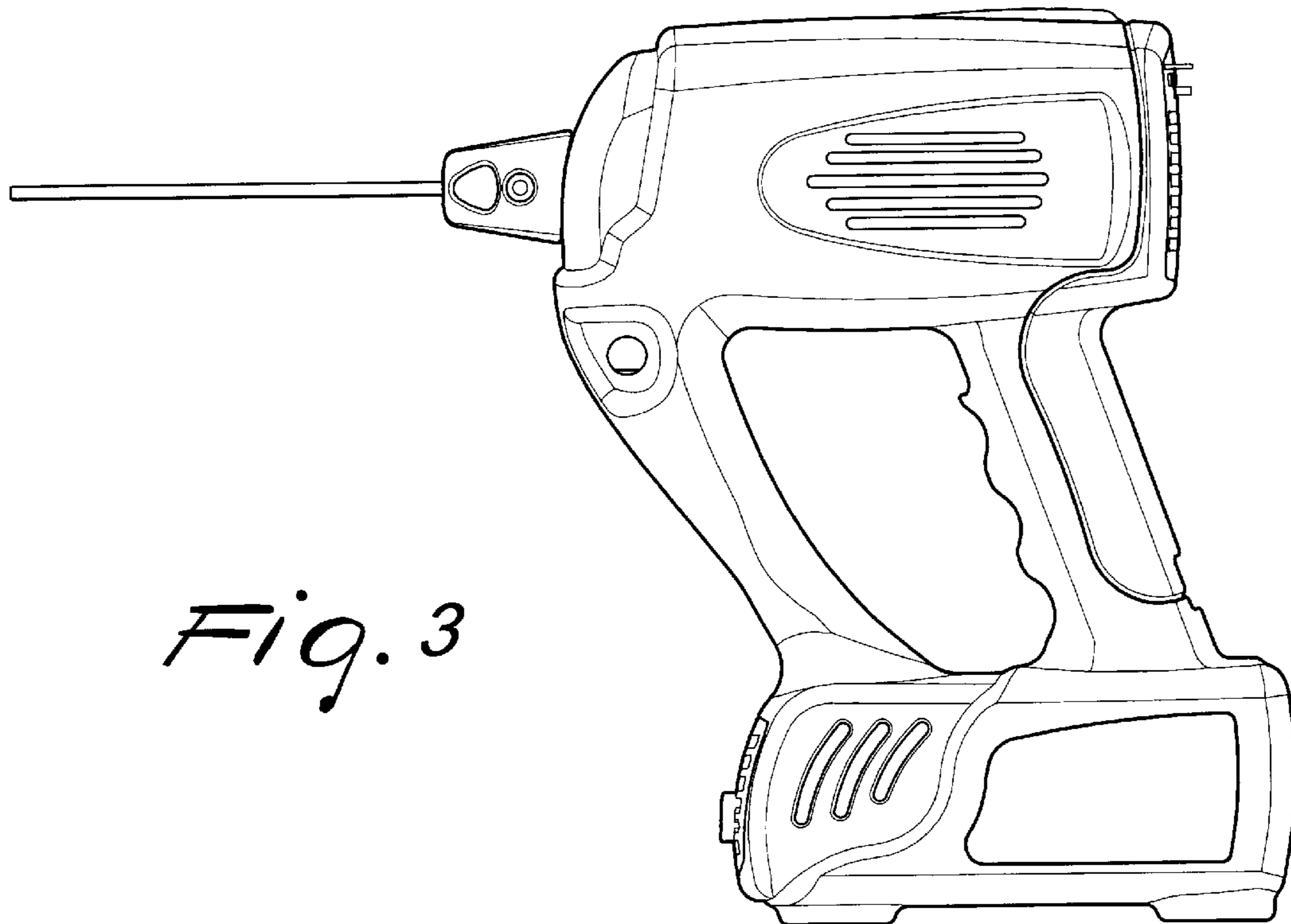




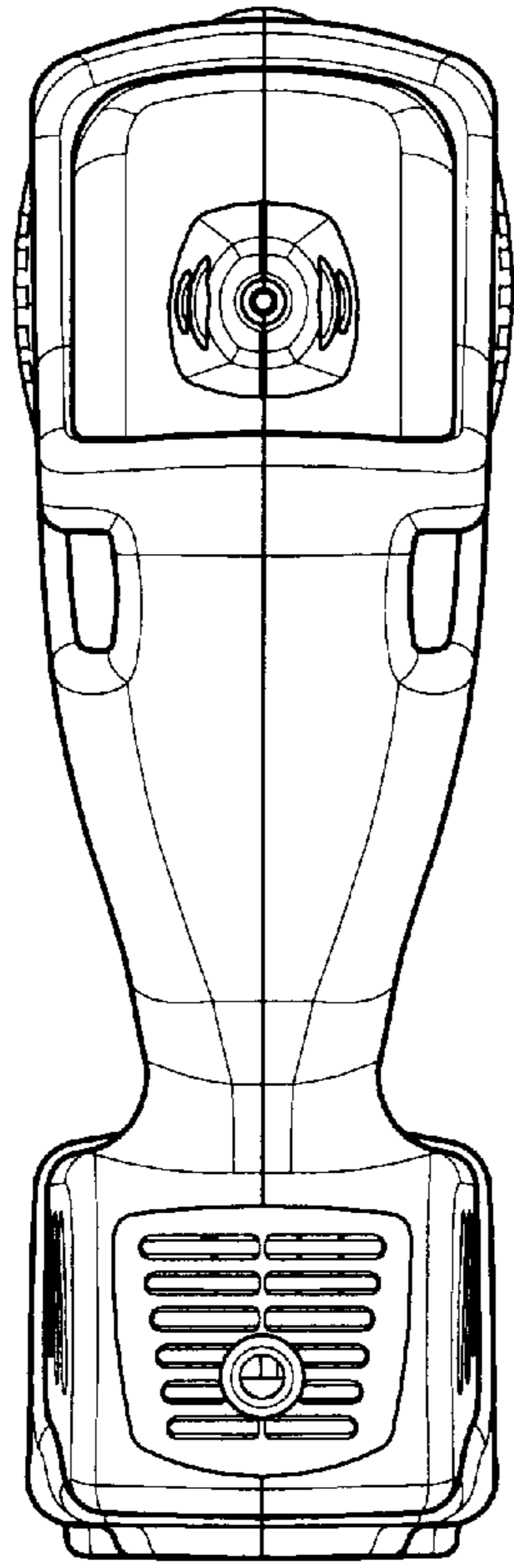
*Fig. 1*



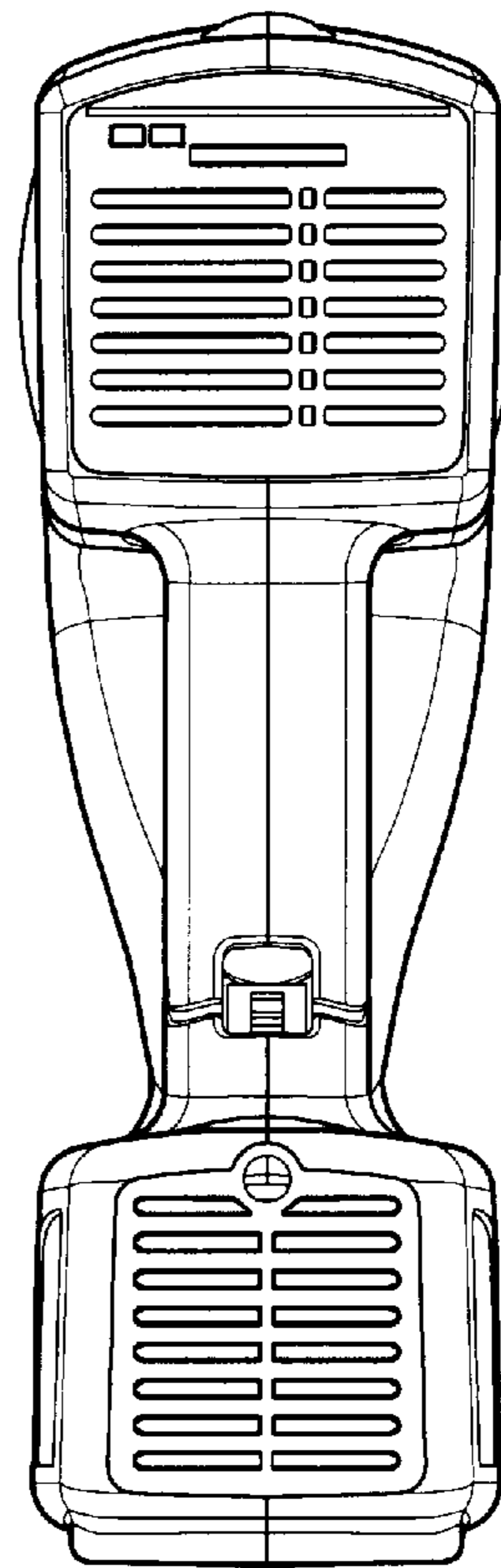
*Fig. 2*



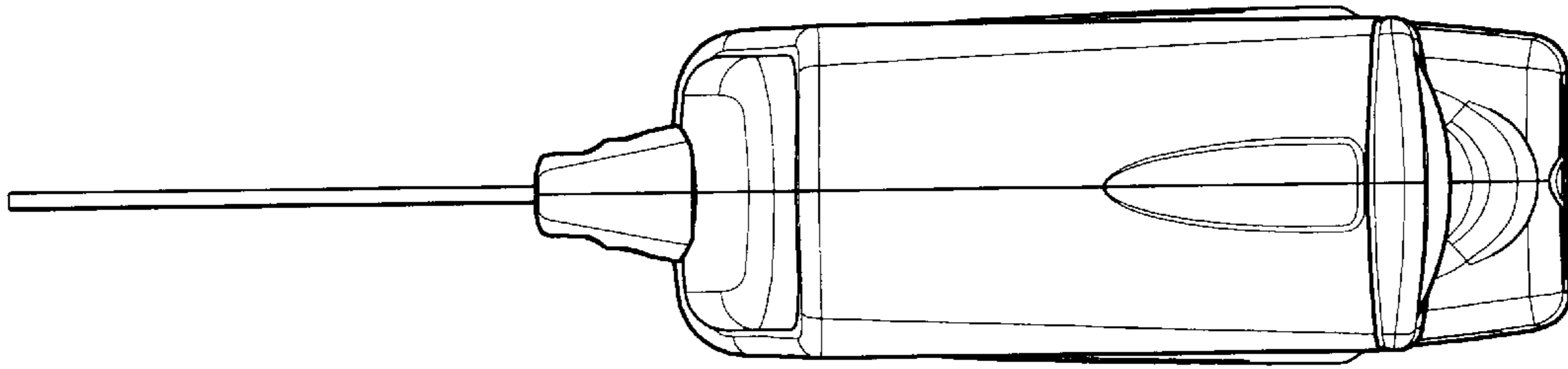
*Fig. 3*



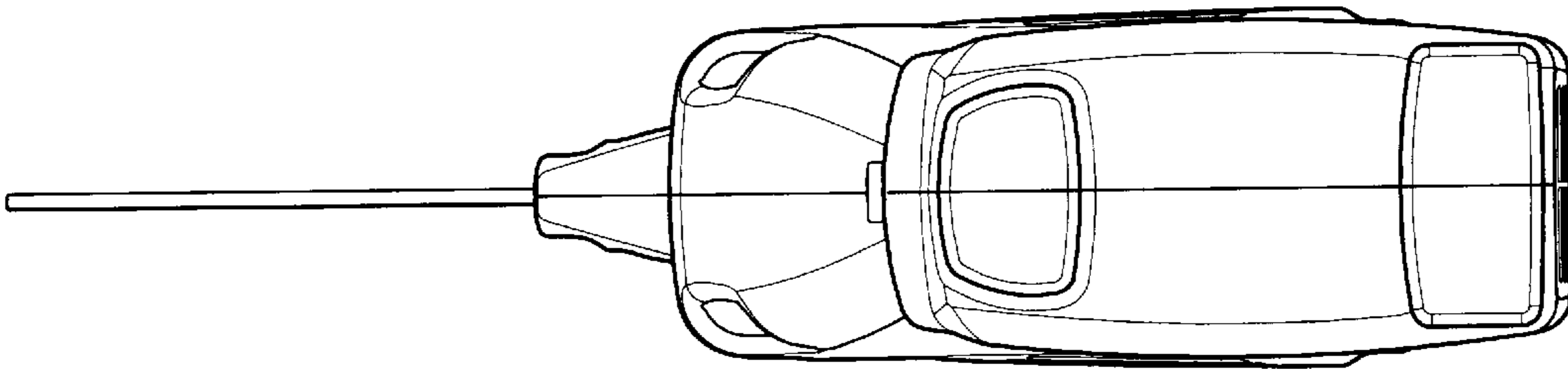
*Fig. 4*



*Fig. 5*



*Fig. 6*



*Fig. 7*