



US00D519345S

(12) **United States Design Patent**  
**Kameda**

(10) **Patent No.:** **US D519,345 S**

(45) **Date of Patent:** **\*\* Apr. 25, 2006**

(54) **ELECTRIC STAPLER**

(75) Inventor: **Futoshi Kameda**, Tokyo (JP)

(73) Assignee: **Max Co., Ltd.**, Tokyo (JP)

(\*\*) Term: **14 Years**

(21) Appl. No.: **29/226,161**

(22) Filed: **Mar. 25, 2005**

(30) **Foreign Application Priority Data**

Oct. 6, 2004 (JP) ..... 2004-030405

(51) **LOC (8) Cl.** ..... **19-02**

(52) **U.S. Cl.** ..... **D8/50; D8/49**

(58) **Field of Classification Search** ..... D8/49,  
D8/50, 61; D19/72; 227/120, 127, 128, 131,  
227/132, 134, 156, 78

See application file for complete search history.

(56) **References Cited**

**U.S. PATENT DOCUMENTS**

D101,889 S	*	11/1936	Rix	.....	D8/98
D277,161 S	*	1/1985	Miller et al.	.....	D8/49
D310,950 S	*	10/1990	Olesen et al.	.....	D8/49
D445,323 S	*	7/2001	Arns	.....	D8/50
D471,413 S	*	3/2003	Fukuda	.....	D8/49
D475,905 S	*	6/2003	Kroger	.....	D8/50

D503,321 S \* 3/2005 Harris ..... D8/50  
2005/0023321 A1 \* 2/2005 Tsai ..... 227/78

**FOREIGN PATENT DOCUMENTS**

JP F2-8322 S 10/1993

\* cited by examiner

*Primary Examiner*—Cathron C. Brooks

*Assistant Examiner*—Austin Murphy

(74) *Attorney, Agent, or Firm*—Morgan, Lewis & Bockius LLP

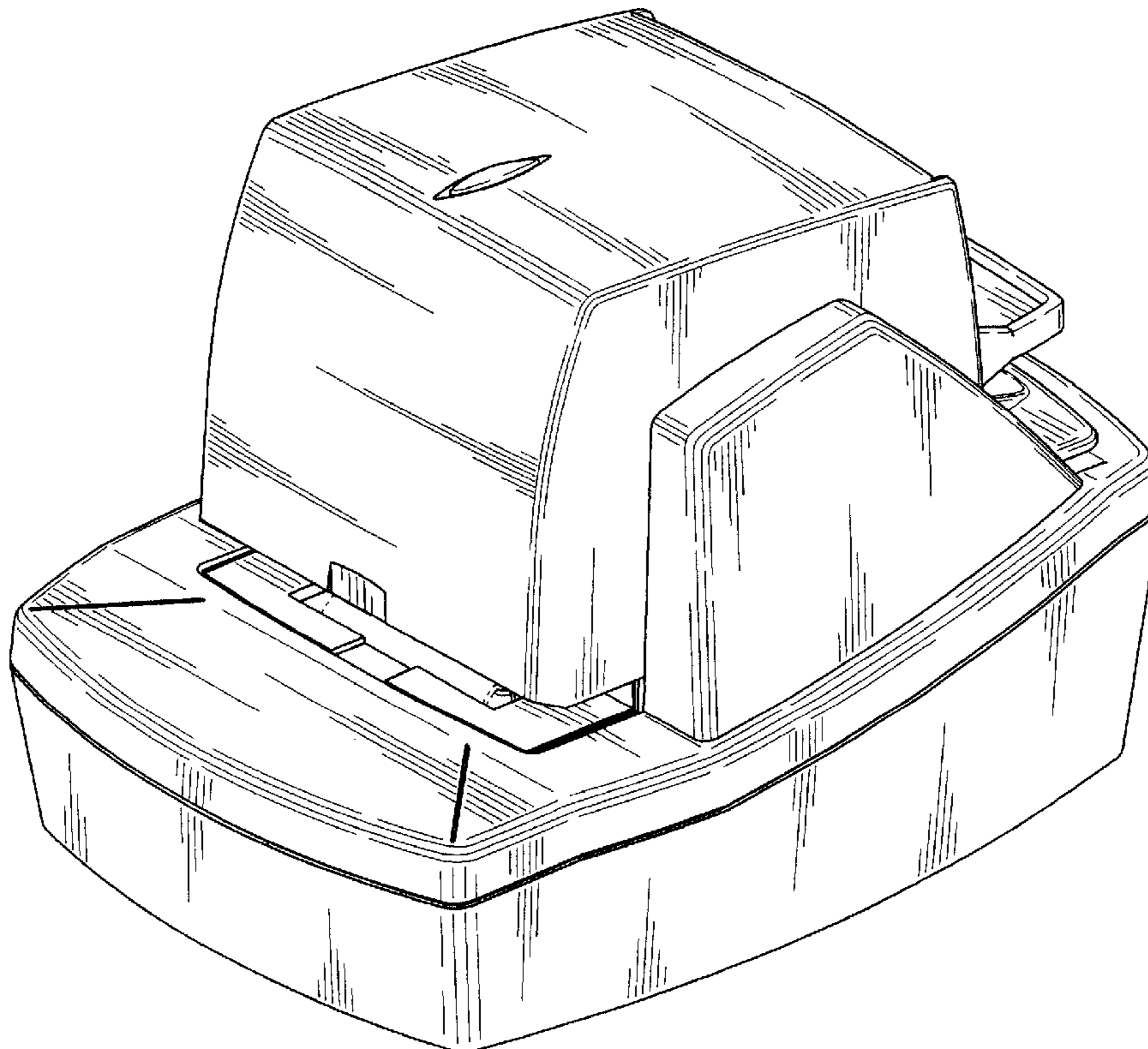
(57) **CLAIM**

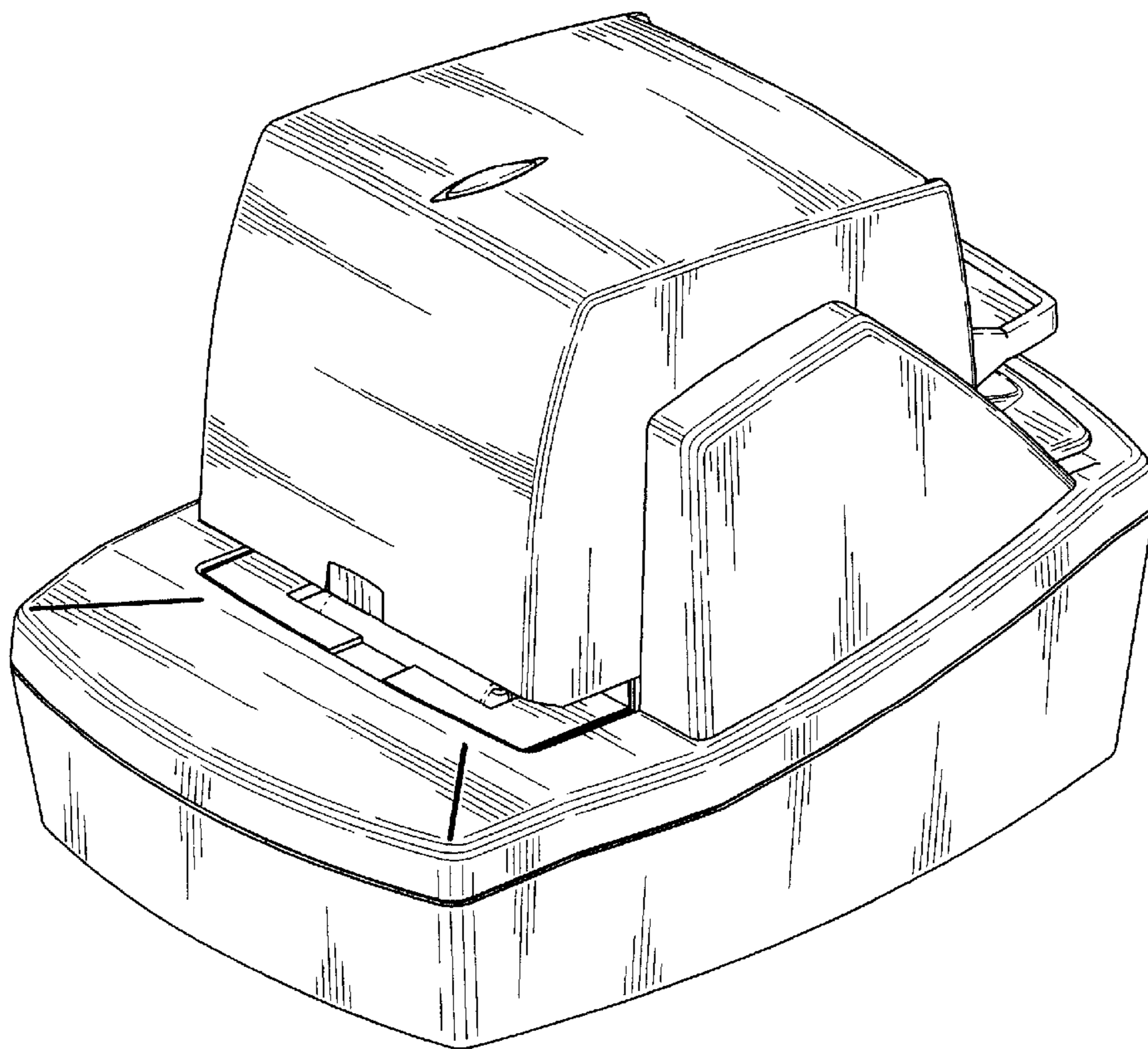
The ornamental design for an electric stapler, as shown and described.

**DESCRIPTION**

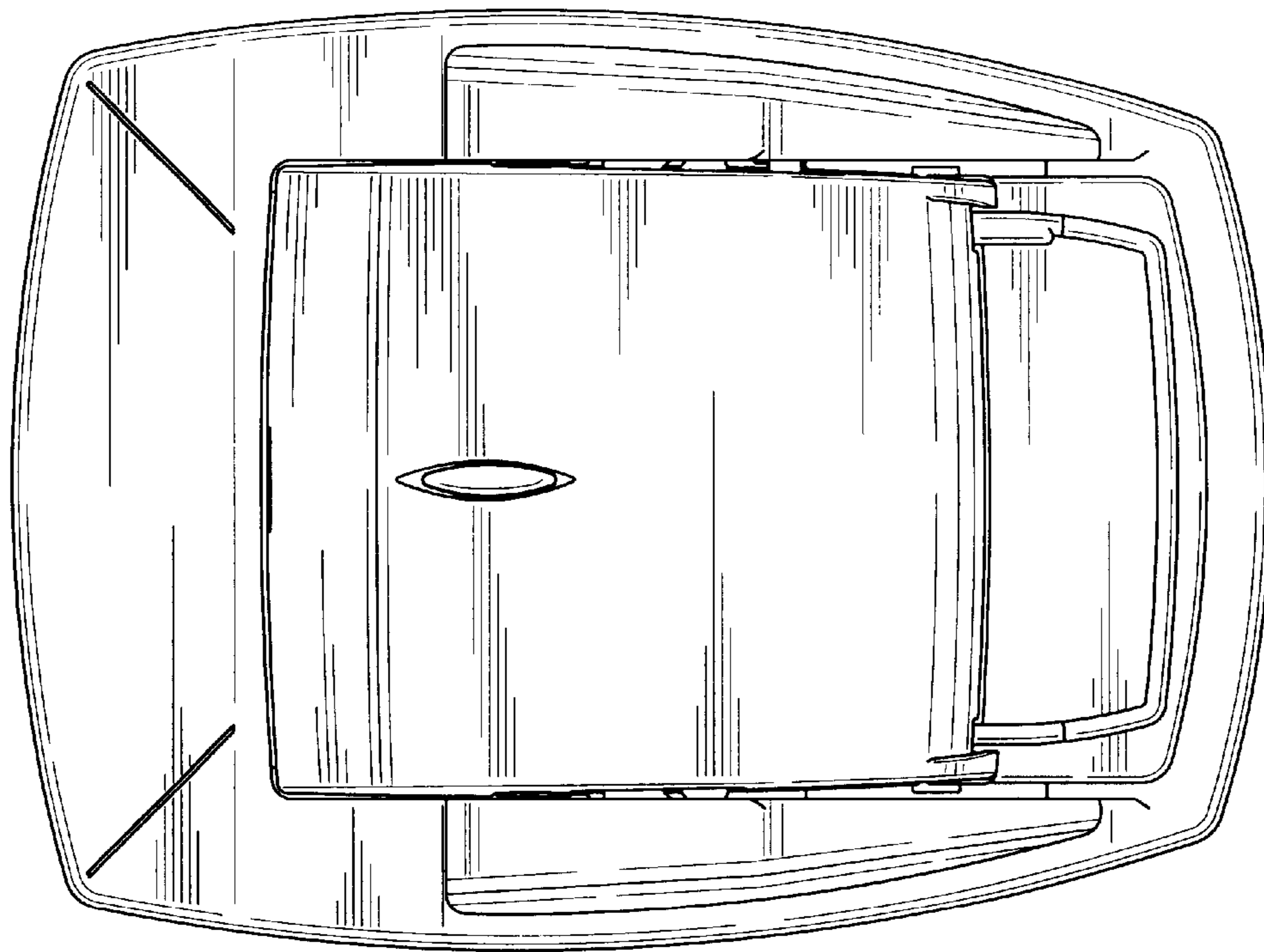
FIG. 1 is a perspective view of the front, left and top of an electric stapler showing my new design; FIG. 2 is a top plan view thereof; FIG. 3 is a front view thereof; FIG. 4 is a right side view thereof; FIG. 5 is a left side view thereof; FIG. 6 is a bottom view thereof; and, FIG. 7 is a perspective view of the usage thereof. The elements shown in broken lines are for illustrative purposes only and form no part of the claimed design.

**1 Claim, 5 Drawing Sheets**

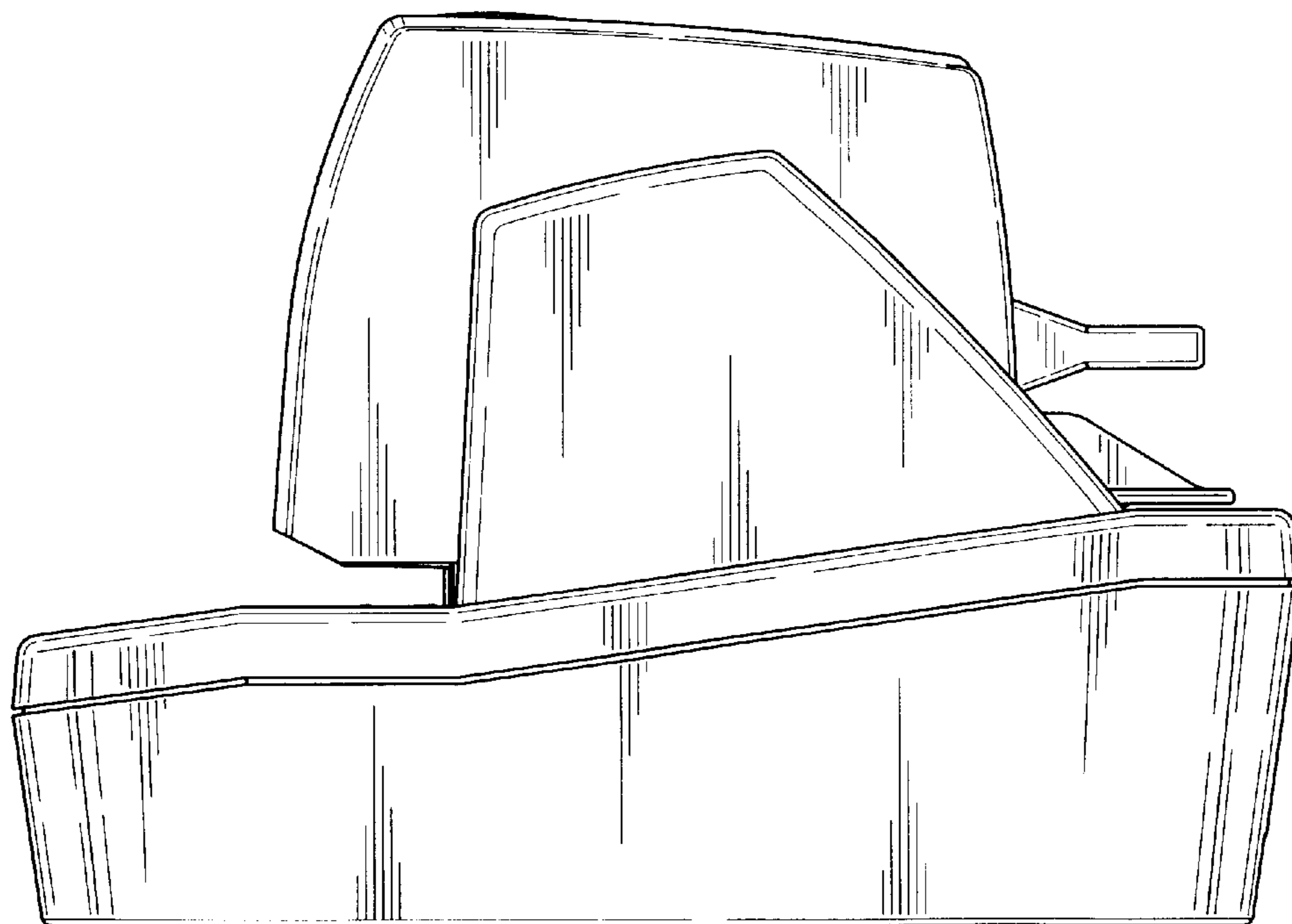




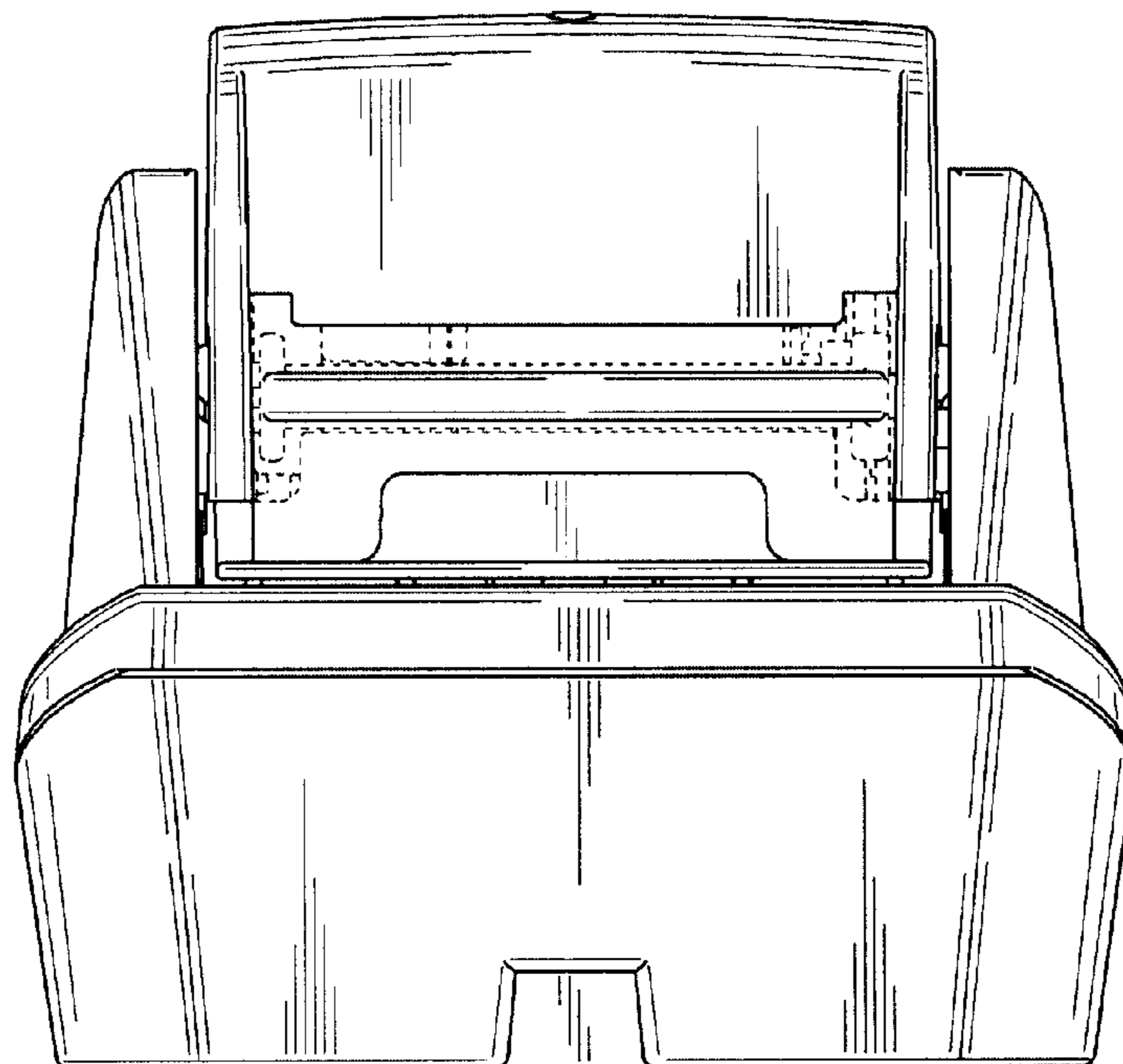
*FIG. 1*



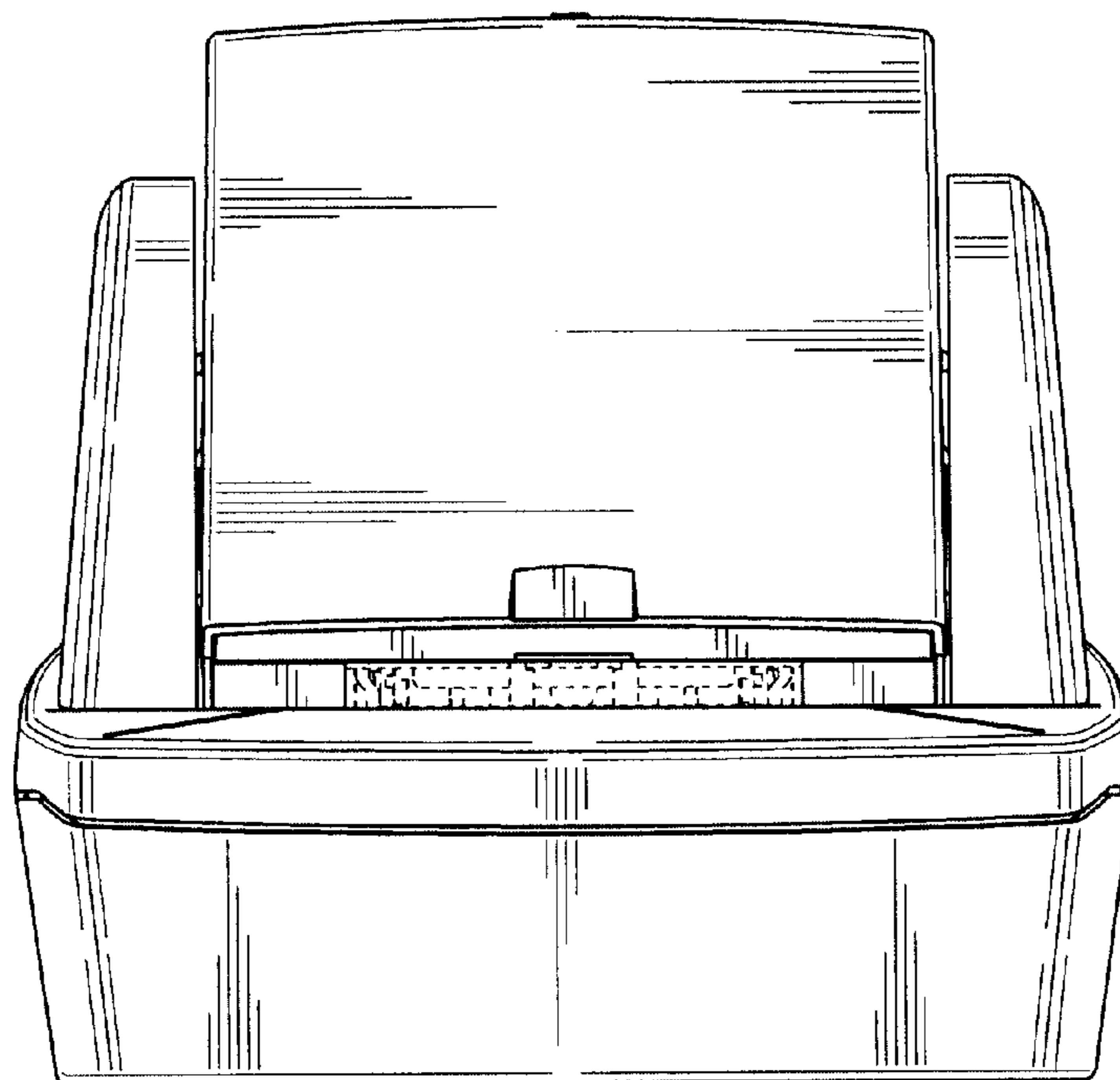
*FIG. 2*



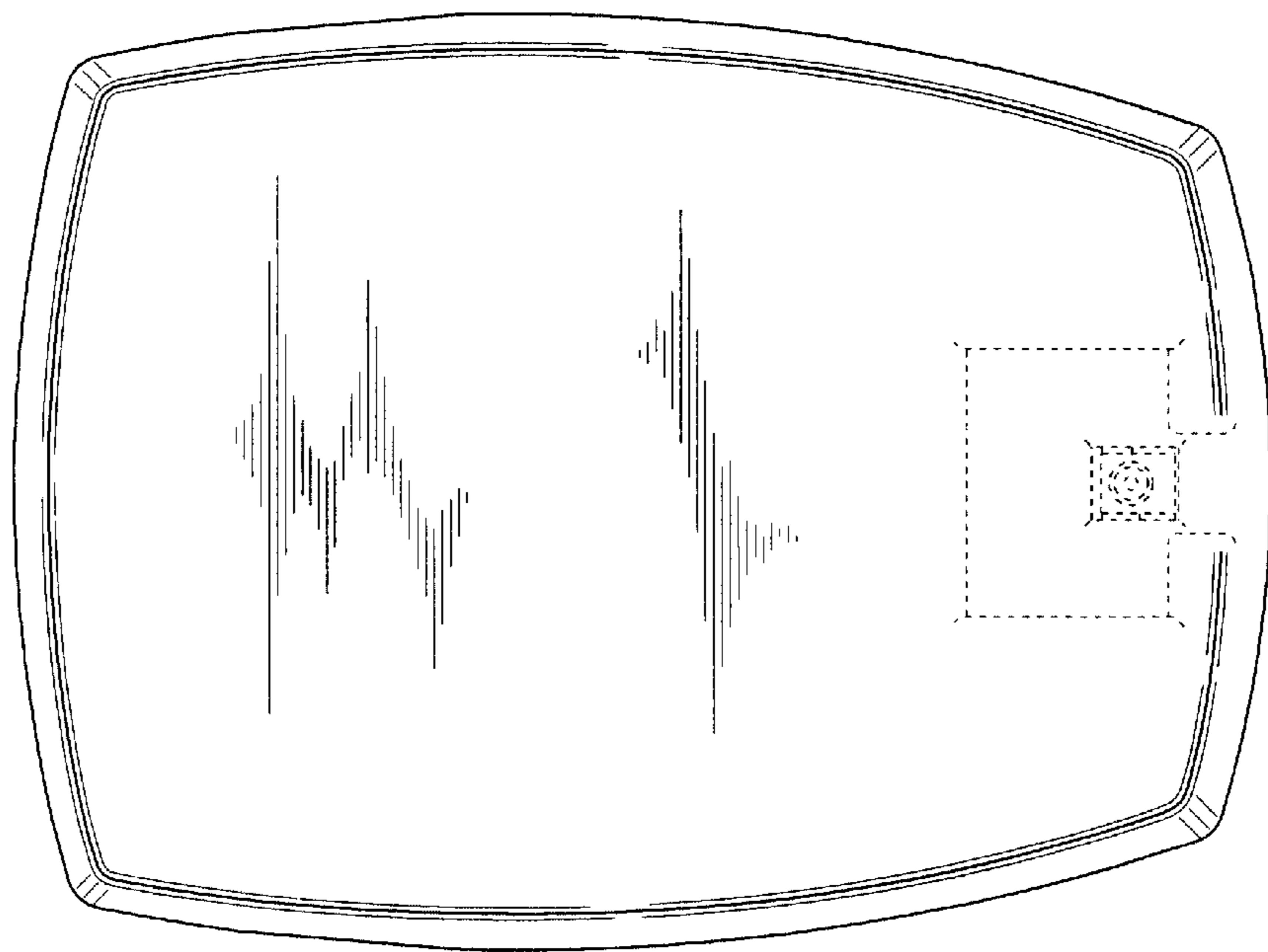
*FIG. 3*



*FIG. 4*



*FIG. 5*



*FIG. 6*

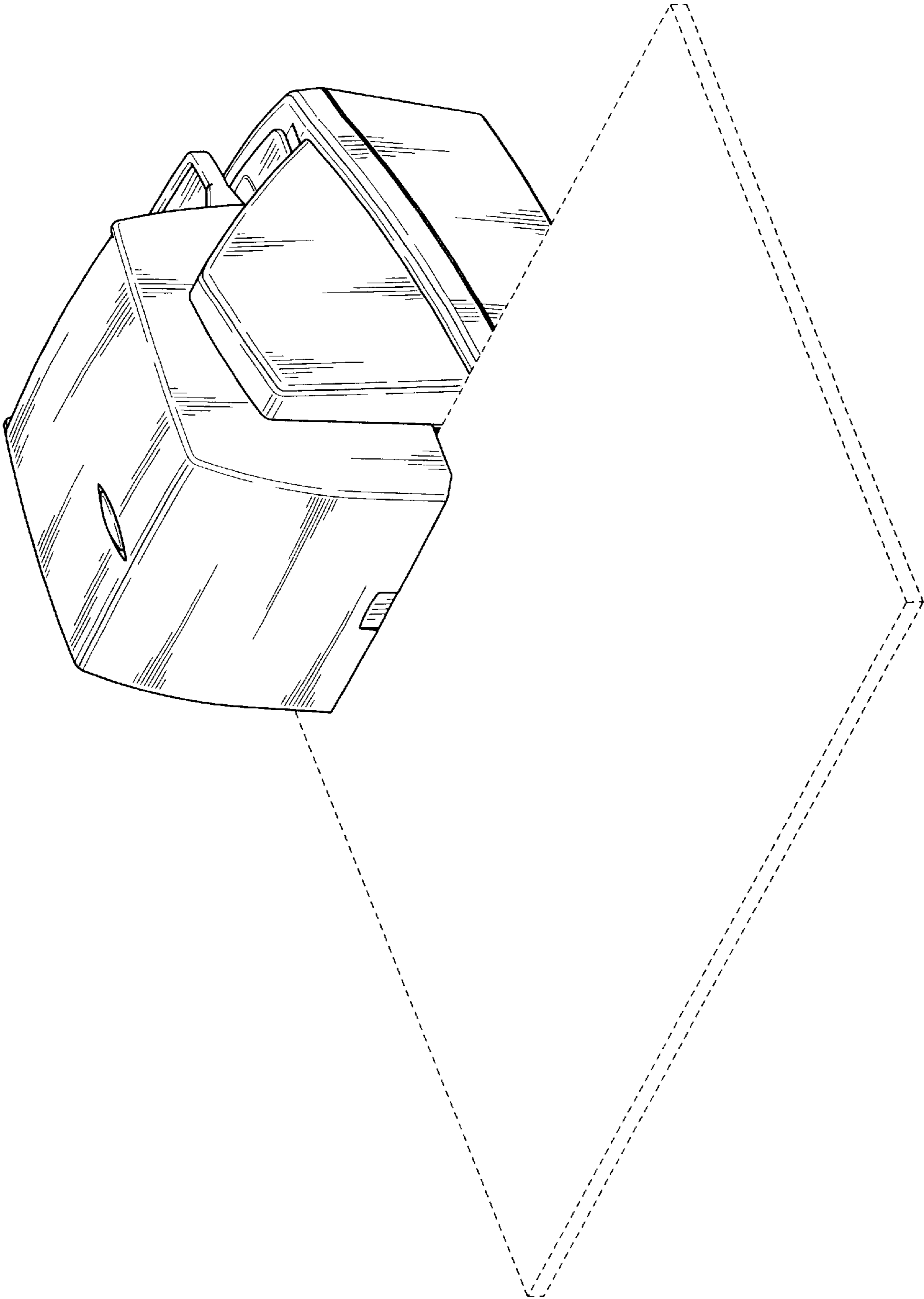


FIG. 7